



US00D426025S

United States Patent [19]

Holmes et al.

[11] Patent Number: Des. 426,025

[45] Date of Patent: ** May 30, 2000

[54] **CURLING IRON ORGANIZER**

[76] Inventors: **Alan Lind Holmes**, 351 Independence La., Denver, N.C. 28037; **Gregory Mark Saul**, 1514 Pincrest Ave., Charlotte, N.C. 28205

[**] Term: **14 Years**

[21] Appl. No.: **29/084,279**

[22] Filed: **Feb. 27, 1998**

[51] **LOC (7) Cl.** **28-03**

[52] **U.S. Cl.** **D28/38; D8/349**

[58] **Field of Search** D28/38, 73; D6/512, D6/469, 553, 566, 569, 570, 571; D8/71, 349, 354, 373, 380; D19/85; D24/230; 219/242; 211/13.1, 26, 26.2, 60.1, 69.8, 70.1, 70.6, 26.01; 248/117.1, 117.2, 117.5, 309.1, 314, 176.1, 176.2, 300, 174, 175

[56] **References Cited**

U.S. PATENT DOCUMENTS

D. 38,220	9/1906	Beach	248/111 X
D. 187,772	4/1960	Gensmer	D28/73
D. 243,559	3/1977	Hoyle et al.	D28/38
D. 264,174	5/1982	Fielder	D8/71
D. 294,530	3/1988	Carluccio et al.	D28/73

D. 332,670	1/1993	McFarland	D28/38
D. 342,585	12/1993	Fischbach	D28/38
D. 347,538	6/1994	Fleischer	D28/73
D. 373,849	9/1996	Passalacqua	D28/73
D. 377,695	1/1997	Puckett	D29/38
561,826	6/1896	Smith	211/13.1
1,263,323	4/1918	Kaempf	248/300 X
3,298,531	1/1967	Wilcke	211/70.6
3,737,131	6/1973	Larson	211/70.6 X
4,065,084	12/1977	Wiener	248/117.1
5,031,778	7/1991	Edgecombe	211/26

Primary Examiner—Ted Shooman

Assistant Examiner—C Tuttle

[57] **CLAIM**

The ornamental design for a curling iron organizer, as shown and described.

DESCRIPTION

FIG. 1 is a perspective view.

FIG. 2 is a front view.

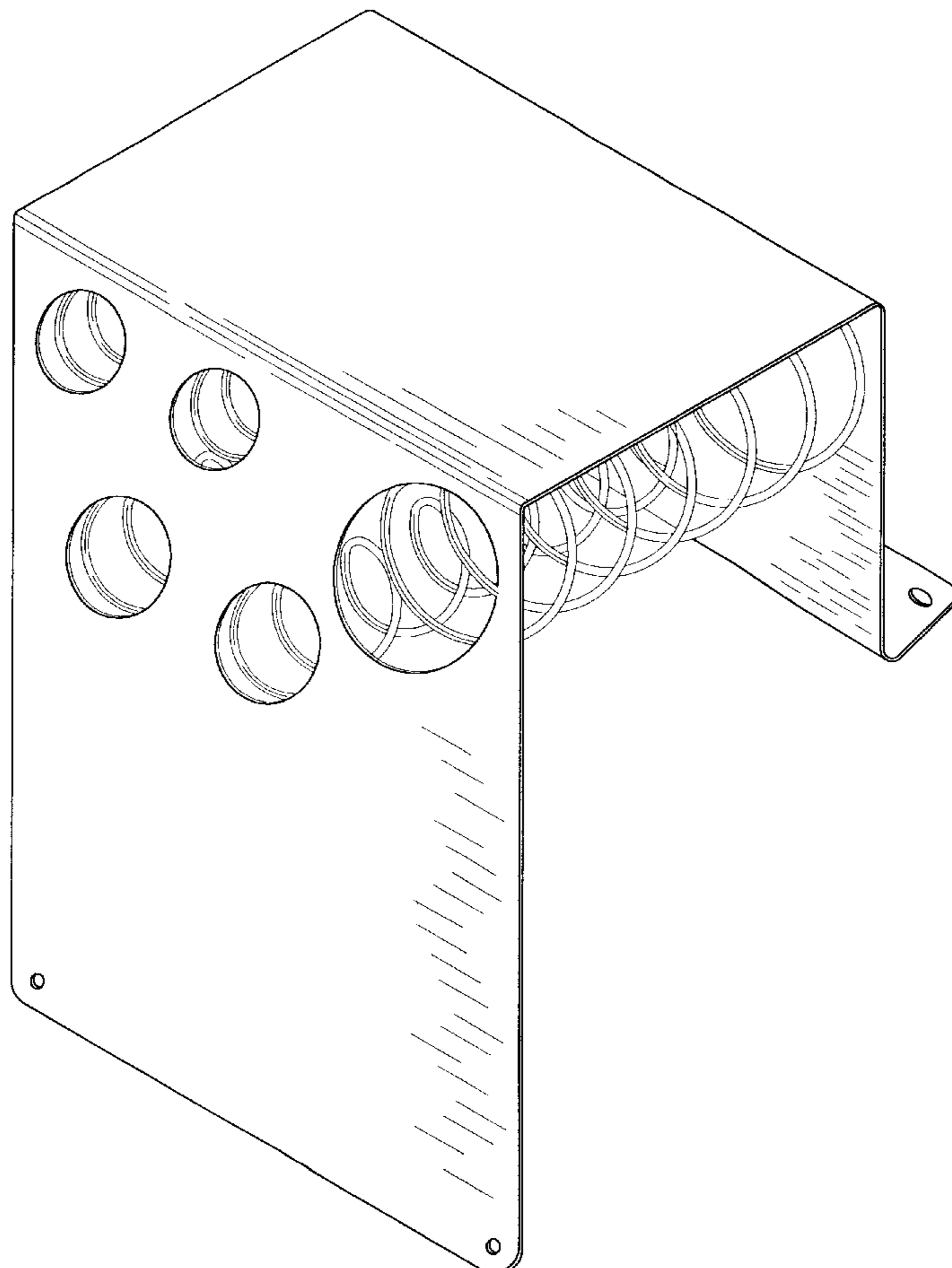
FIG. 3 is a left side view.

FIG. 4 is a rear view; and,

FIG. 5 is a top view.

The surfaces or portions of the article not shown in the drawing or described in the specification forms no part of the claimed design.

1 Claim, 5 Drawing Sheets



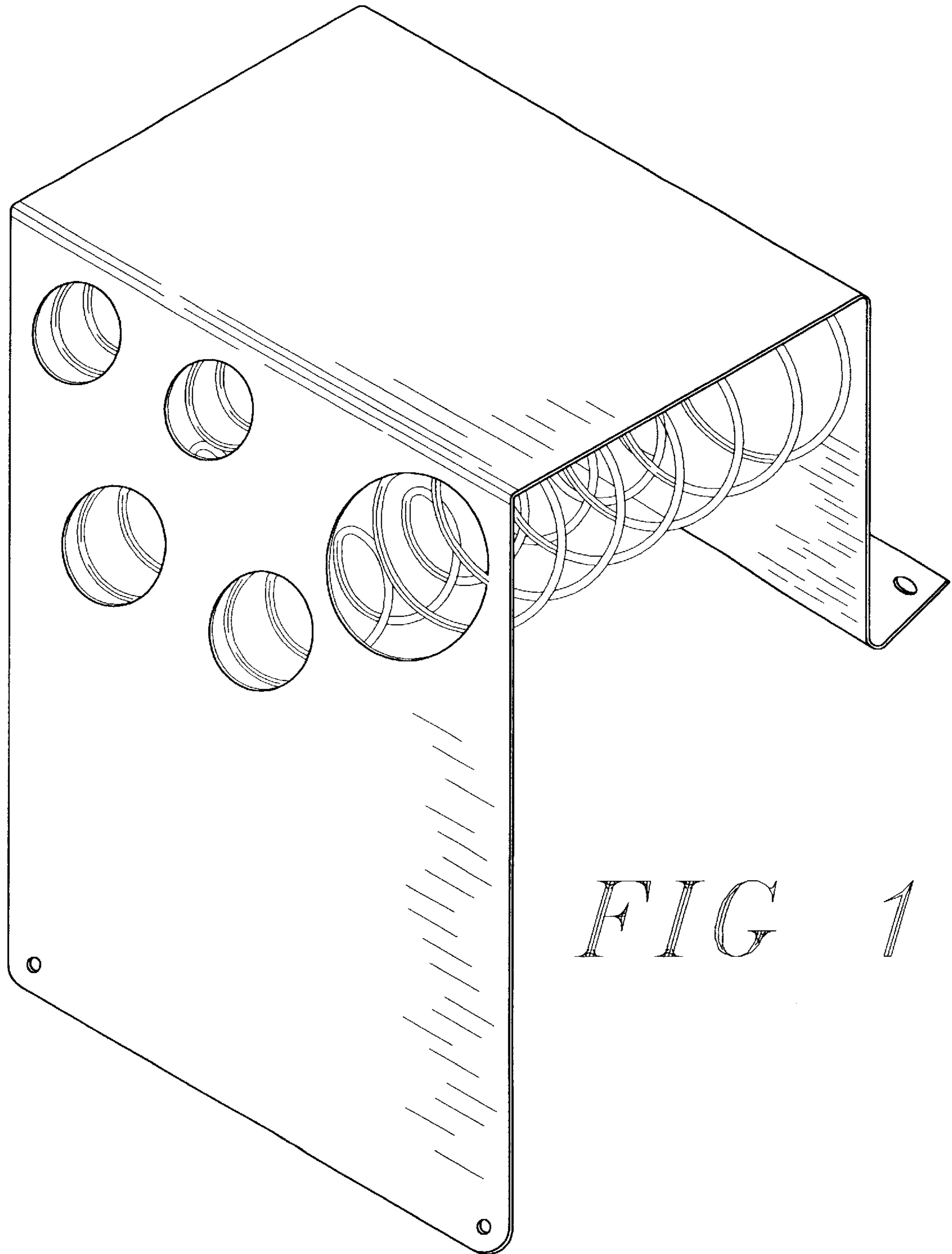


FIG 1

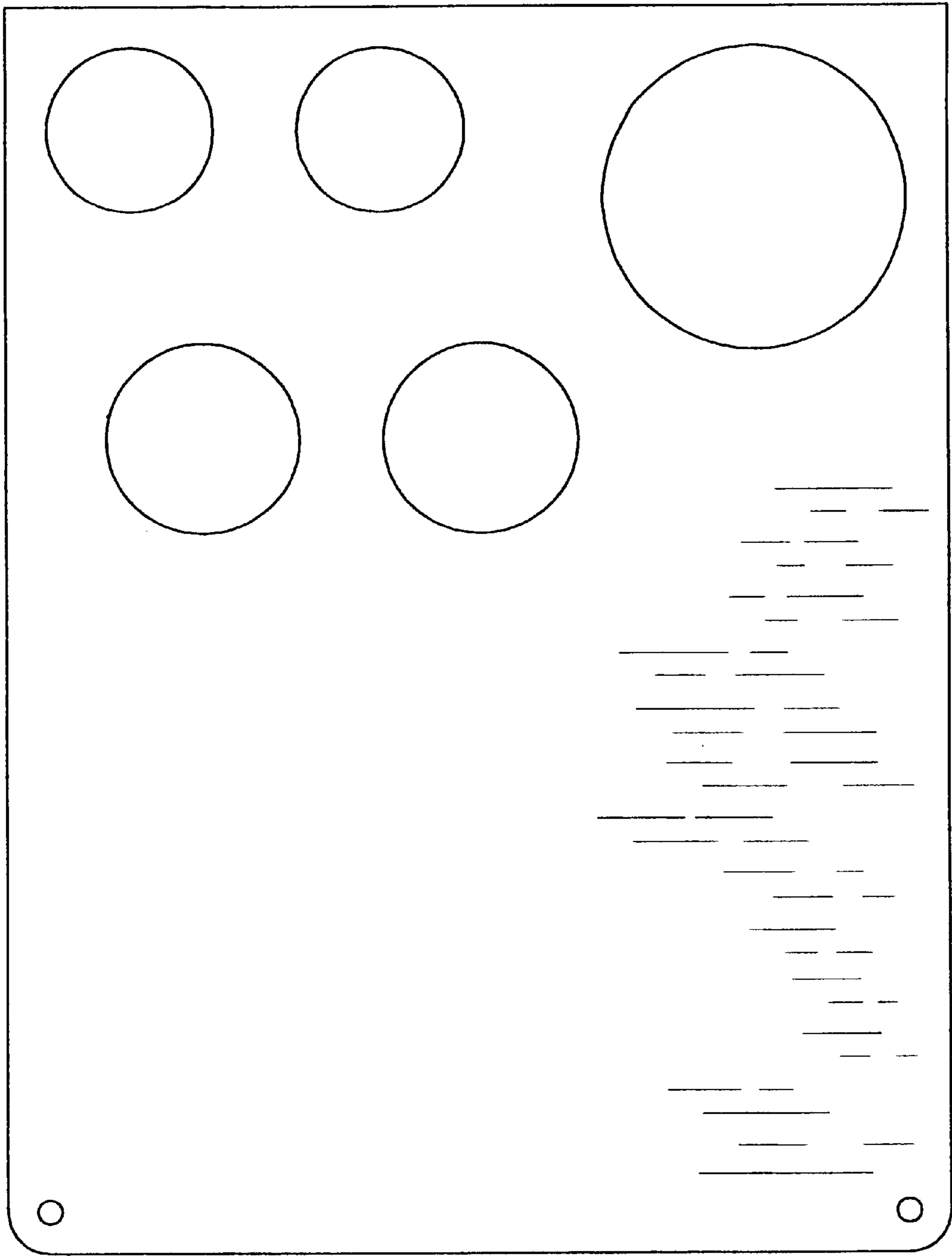


FIG 2

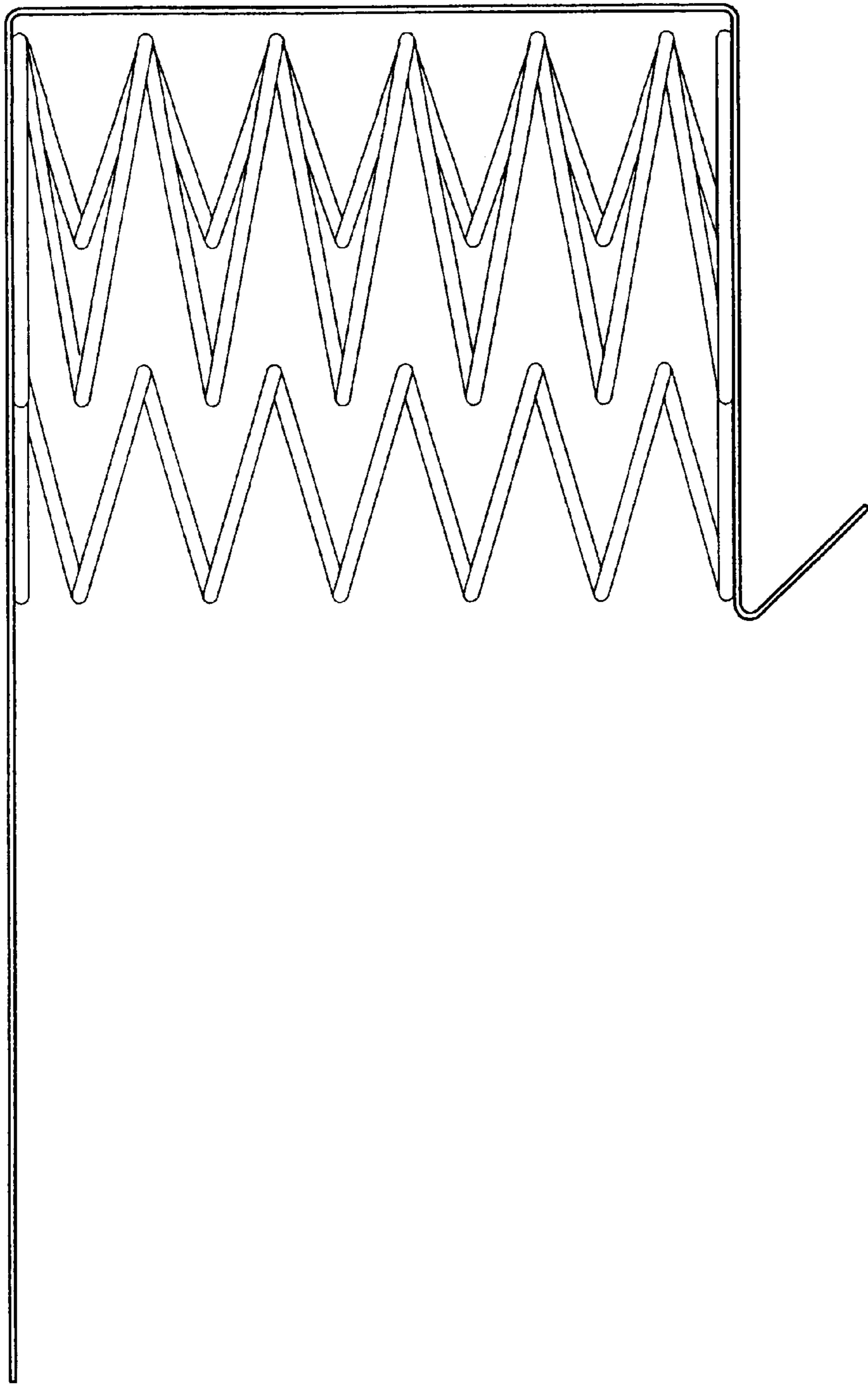


FIG 3

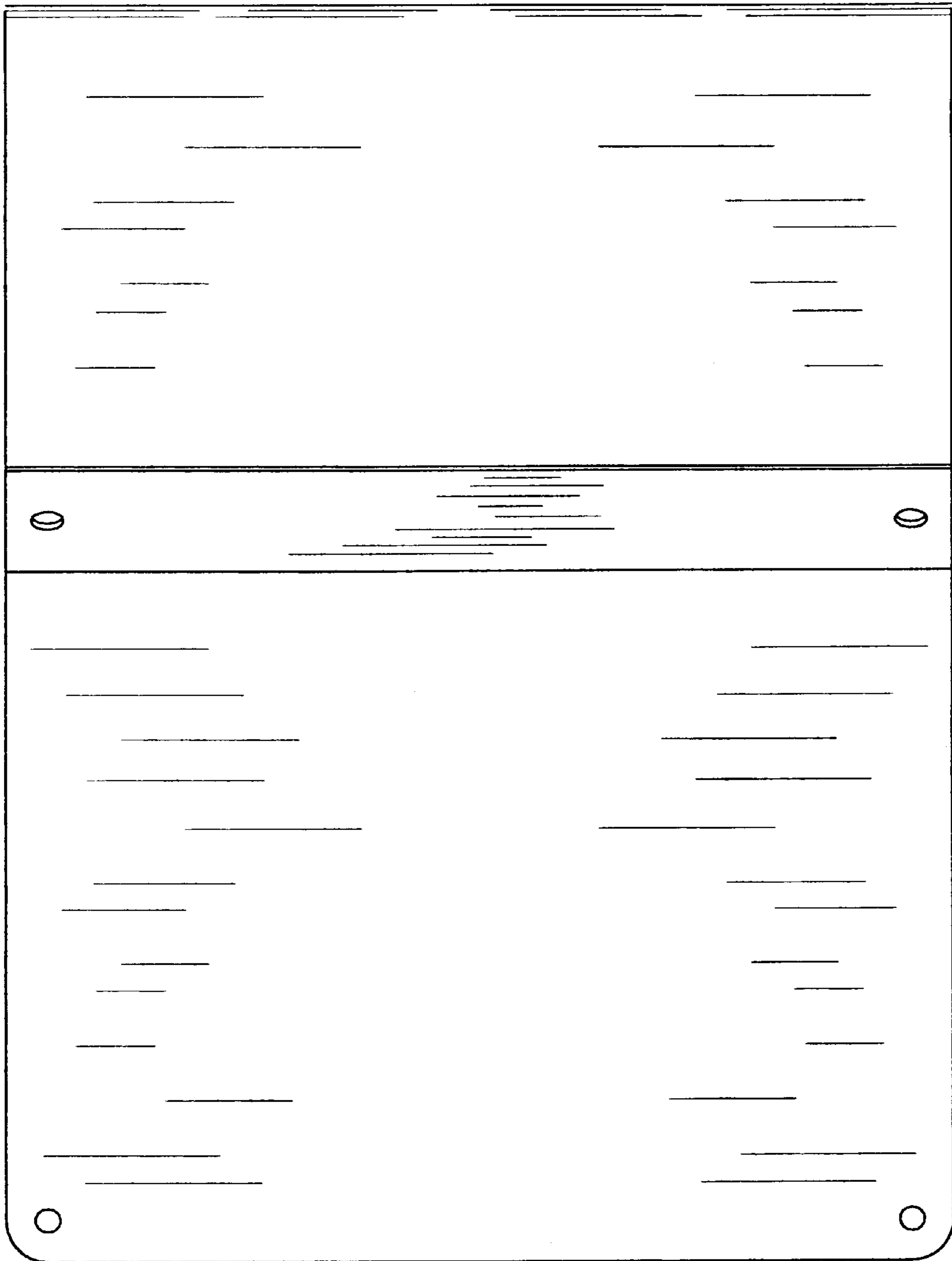


FIG 4

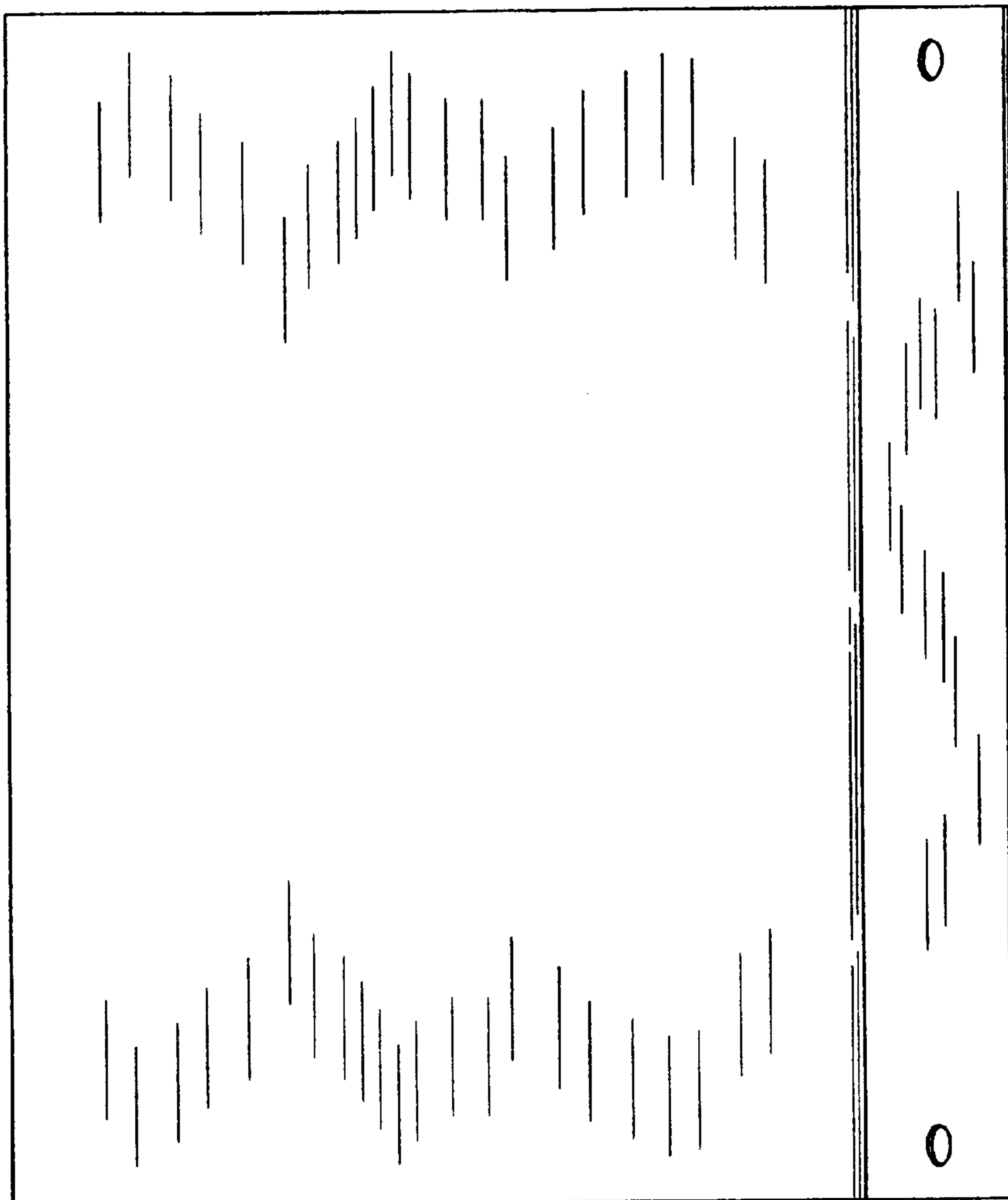


FIG 5