



US00D426016S

United States Patent [19]
Von Kluck

[11] **Patent Number: Des. 426,016**

[45] **Date of Patent: ** May 30, 2000**

[54] **WALL MOUNTED LIGHTING FIXTURE**

[75] Inventor: **Kevin Von Kluck**, Hudson, Ohio

[73] Assignee: **The L. D. Kichler Co.**, Cleveland, Ohio

[**] Term: **14 Years**

[21] Appl. No.: **29/099,634**

[22] Filed: **Jan. 25, 1999**

[51] **LOC (7) Cl.** **26-05**

[52] **U.S. Cl.** **D26/87**

[58] **Field of Search** D26/72, 80-92;
362/404-409, 432

[56] **References Cited**

U.S. PATENT DOCUMENTS

D. 391,660 3/1998 Pan D26/85

OTHER PUBLICATIONS

Corbett lighting catalog, 1989-94, p. W 9, wall lamp #2316.
Progress lighting catalog, Jul. 1994, p. 79, wall lamp #P7105-69.

Primary Examiner—Susan J. Lucas
Attorney, Agent, or Firm—Watts, Hoffmann, Fisher & Heinke, Co., L.P.A.

[57] **CLAIM**

I claim the ornamental design for a wall mounted lighting fixture, as shown and described.

DESCRIPTION

FIG. 1 is a perspective view of the wall mounted lighting fixture showing my new design;

FIG. 2 is a front elevational view of the wall mounted fixture;

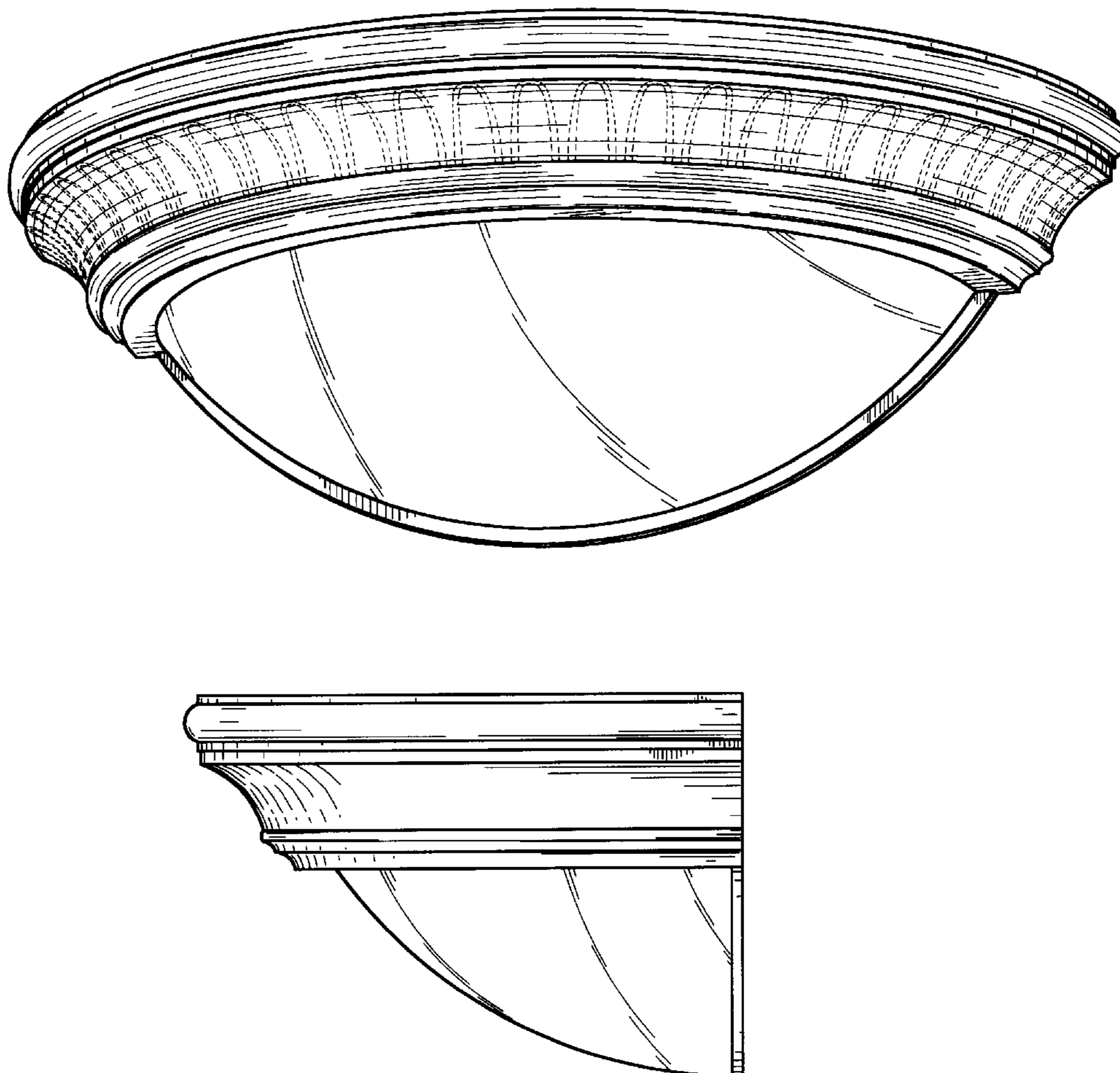
FIG. 3 is a right side elevational view of the wall mounted lighting fixture, the left side elevational view being a mirror image;

FIG. 4 is a top plan view of the wall mounted lighting fixture; and,

FIG. 5. is a bottom plan view of the wall mounted lighting fixture.

The broken lines are shown in FIG. 1 for illustrative purposes only and form no part of the claimed design.

1 Claim, 2 Drawing Sheets



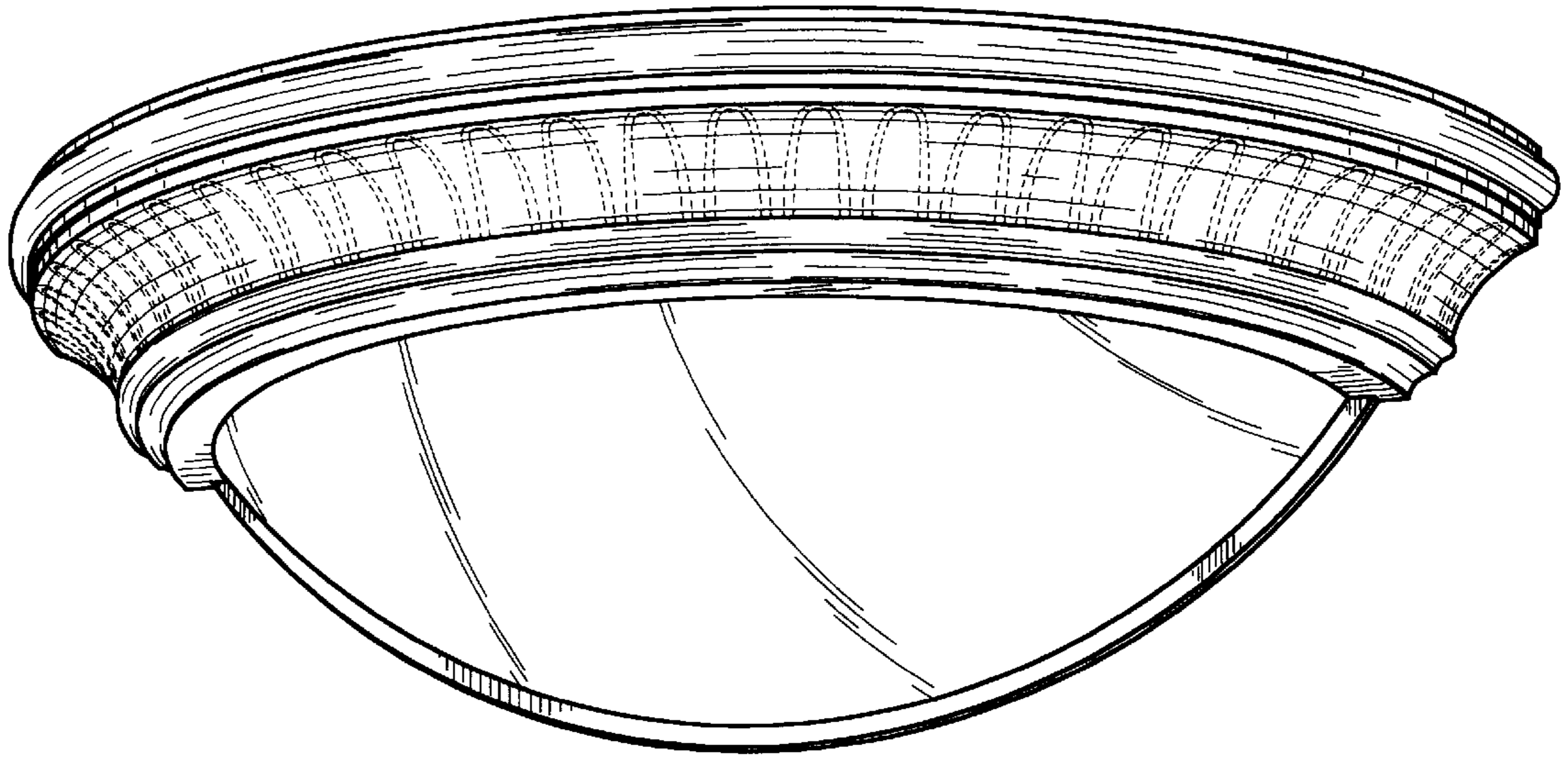


Fig.1

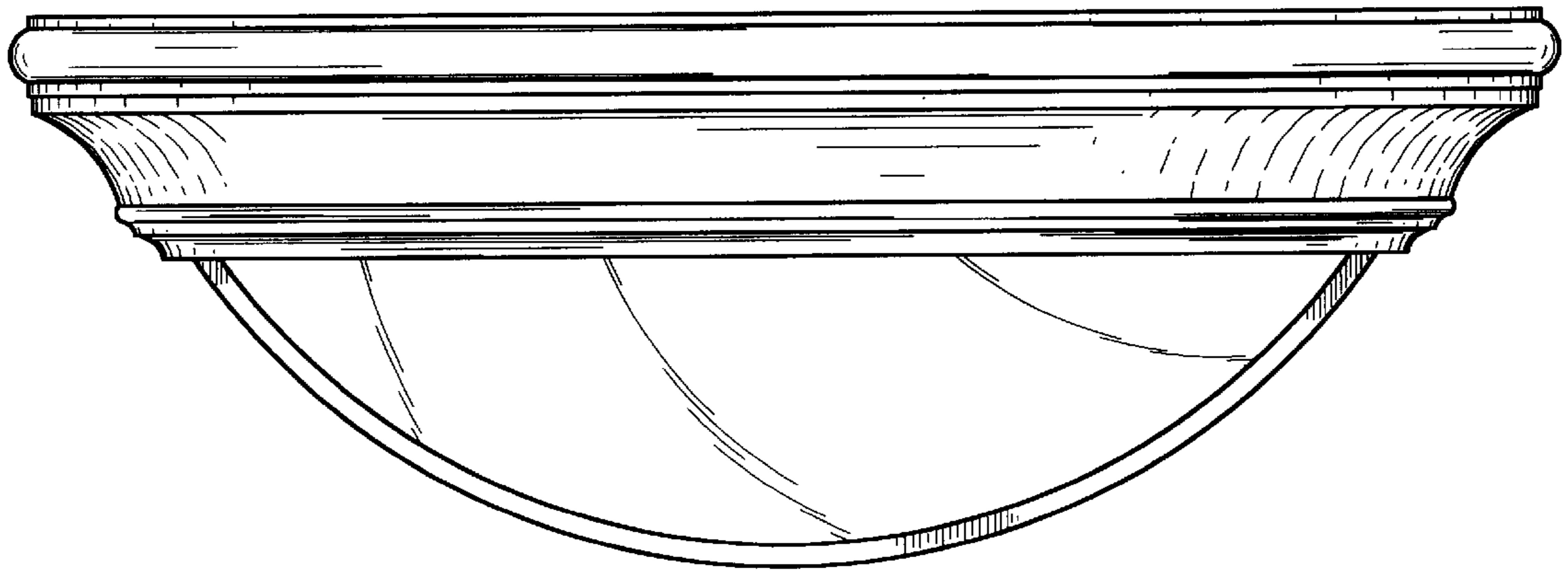


Fig.2

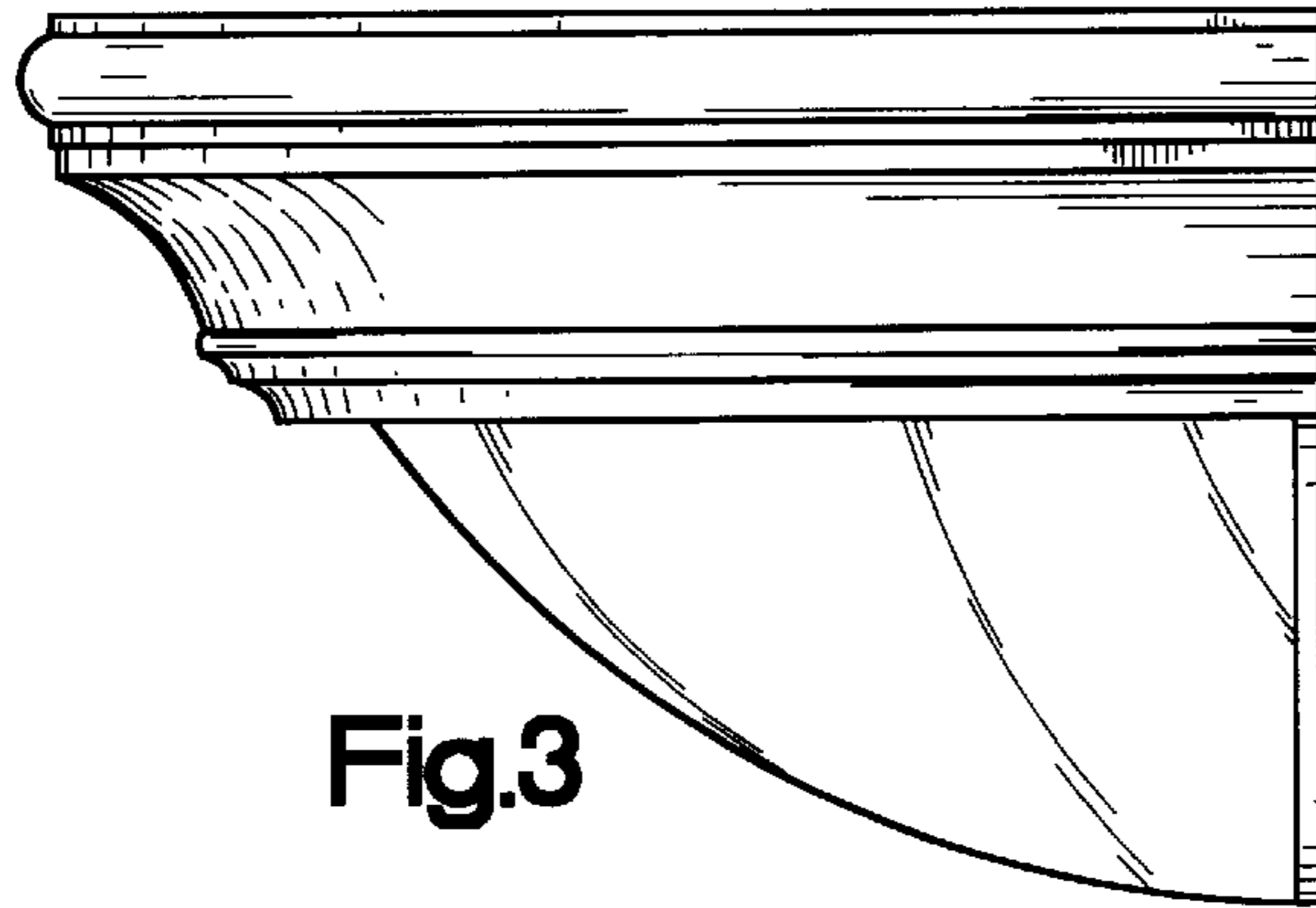


Fig.3

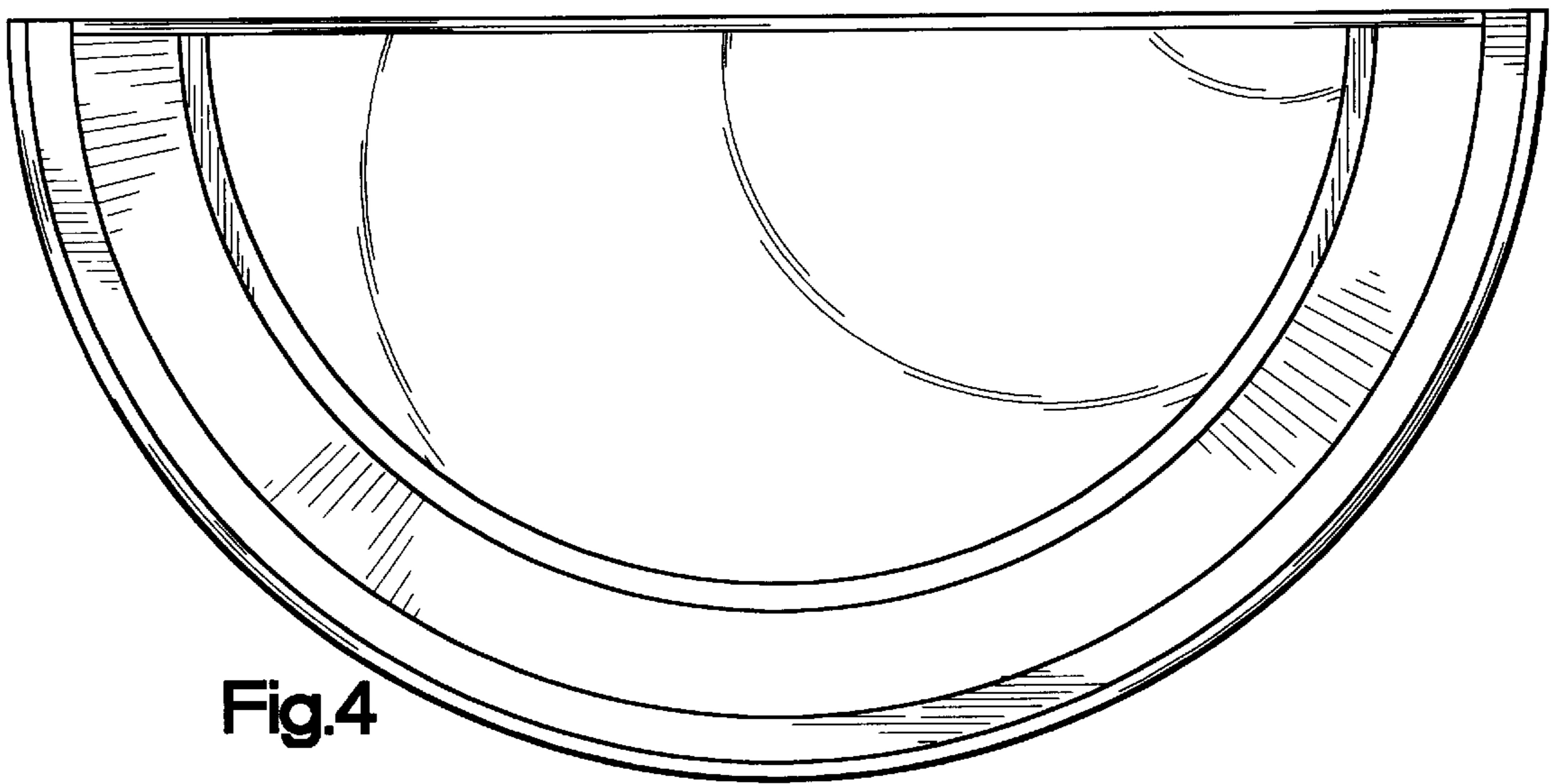


Fig.4

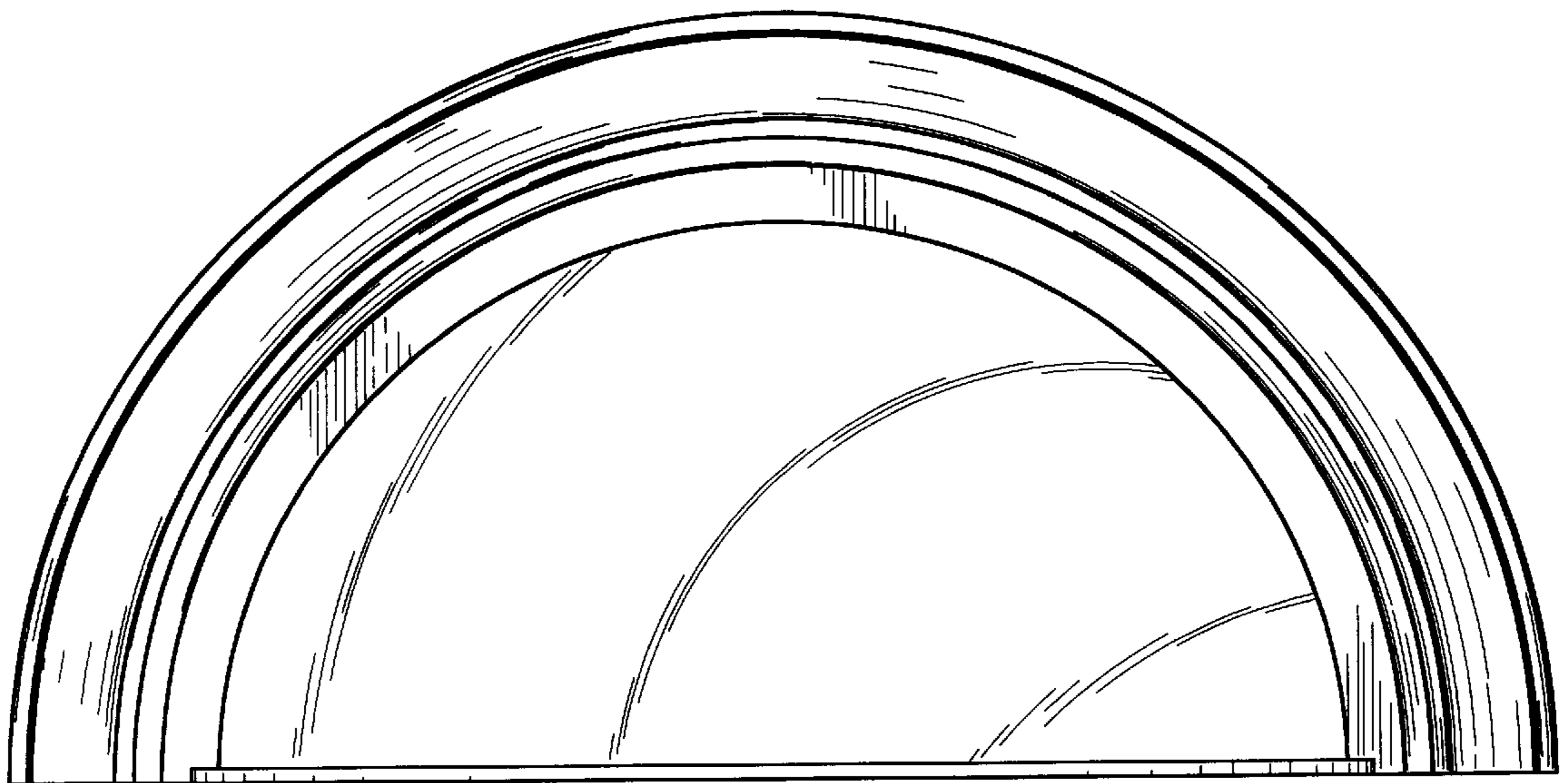


Fig.5