



US00D426014S

# United States Patent [19] Valencia

[11] Patent Number: Des. 426,014

[45] Date of Patent: \*\* May 30, 2000

[54] **CHANDELIER WITH FIVE SHADES**

[76] Inventor: **Carlos Valencia**, 1000 W. 37, Hialeah, Fla. 33012

[\*\*] Term: **14 Years**

[21] Appl. No.: **29/094,838**

[22] Filed: **Oct. 13, 1998**

[51] **LOC (7) Cl.** ..... **26-05**

[52] **U.S. Cl.** ..... **D26/81**

[58] **Field of Search** ..... D26/72, 80-92;  
362/147, 432, 404, 405, 406, 407, 408

[56] **References Cited**

**U.S. PATENT DOCUMENTS**

D. 372,552 8/1996 Porter ..... D26/81

**OTHER PUBLICATIONS**

Kemp & George lighting catalog, p. 47, top, right, wall lamp, Apr. 1991.

Kichler lighting catalog, p. 43, chandelier #, K-1710, Jan. 1989.

*Primary Examiner*—Susan J. Lucas

*Attorney, Agent, or Firm*—Joseph J. Zito

[57] **CLAIM**

The ornamental design for a chandelier with five shades, as illustrated and described.

**DESCRIPTION**

FIG. 1 is a top perspective view of the chandelier with five shades;

FIG. 2 is a side elevational view, all sides being identical;

FIG. 3 is a top plan view of the chandelier; and,

FIG. 4 is a fragmentary view of the chandelier, two of the supporting arms and shades being omitted for enhanced disclosure of the center post and remaining shades.

**1 Claim, 4 Drawing Sheets**

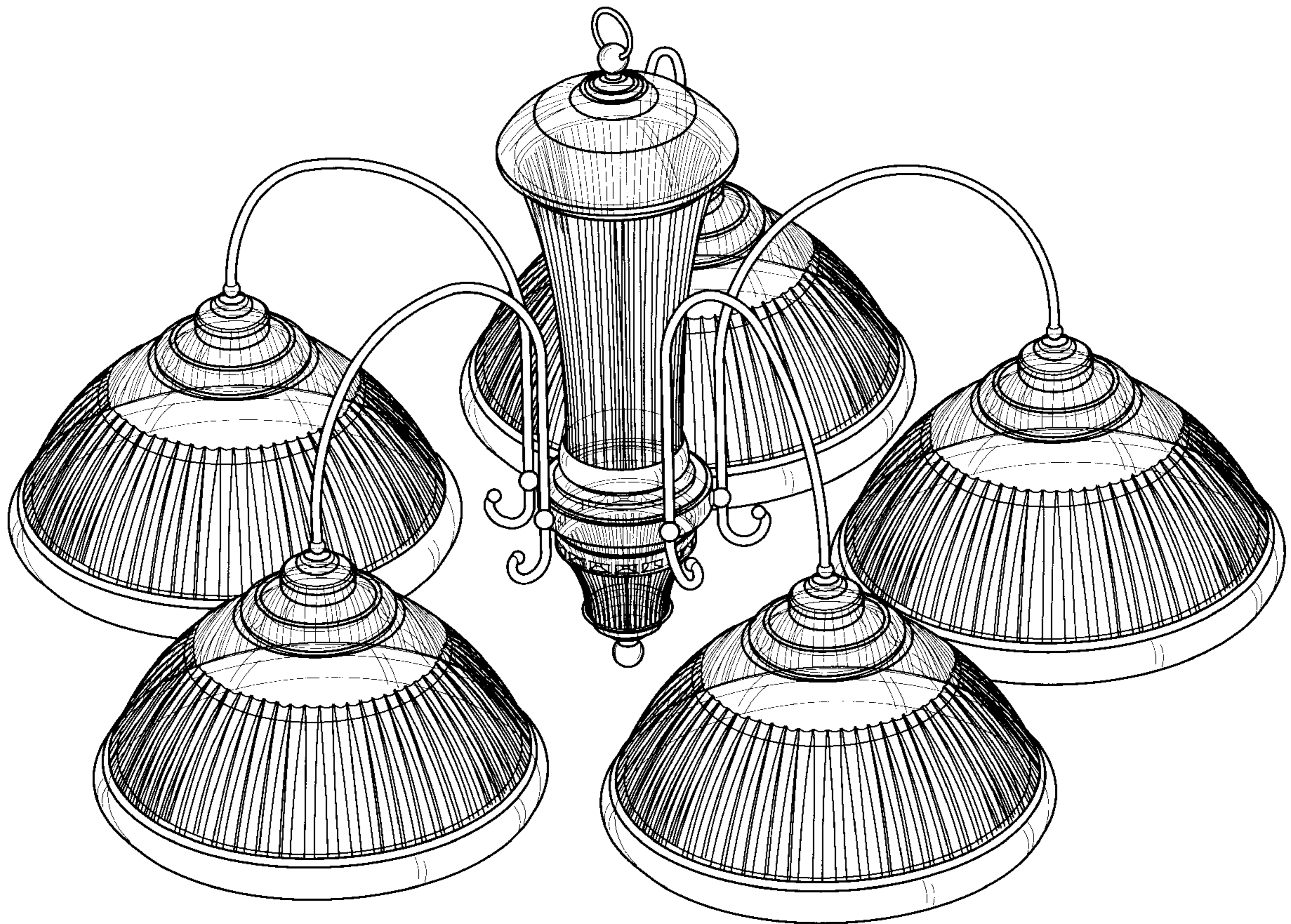
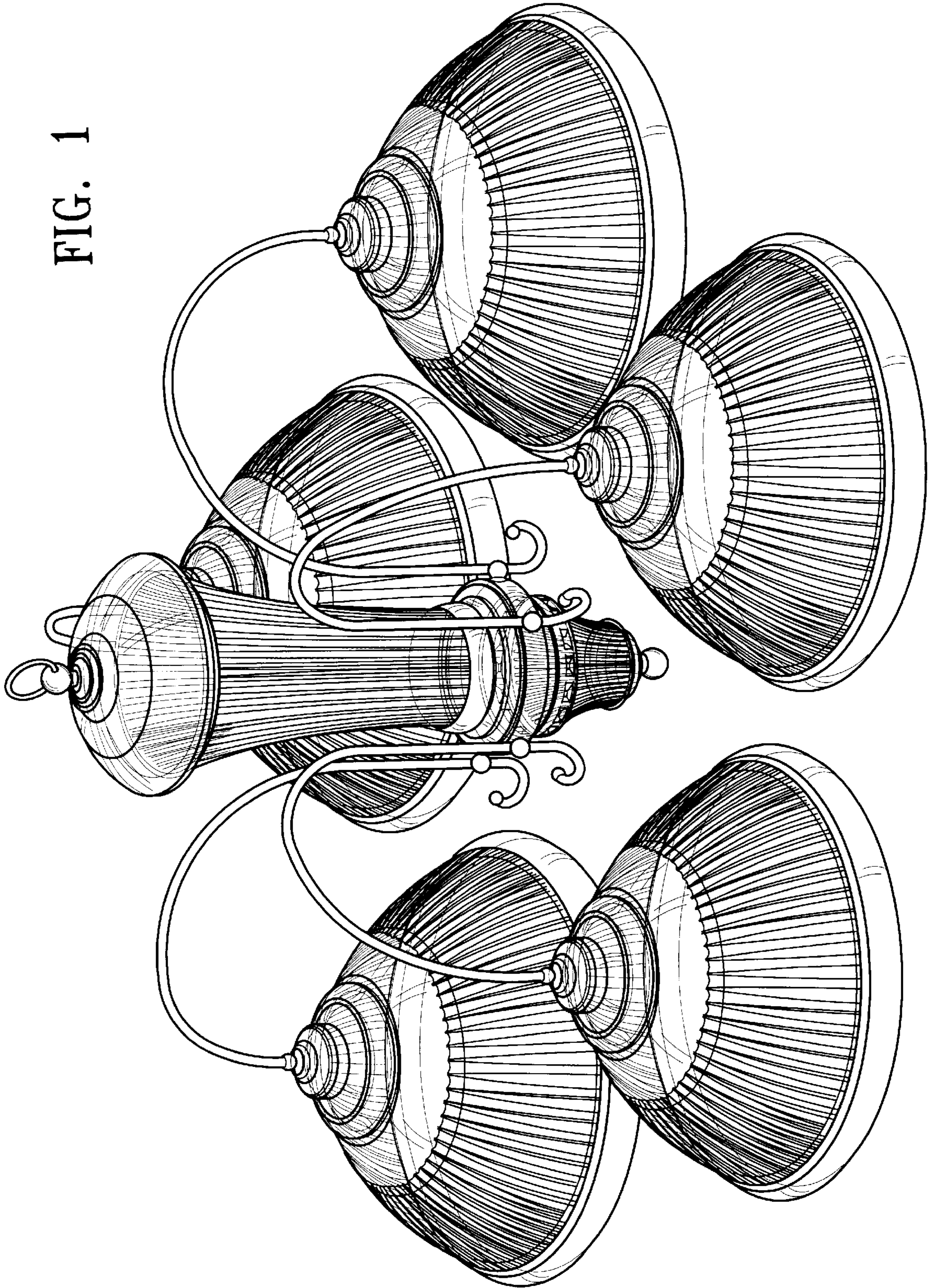


FIG. 1



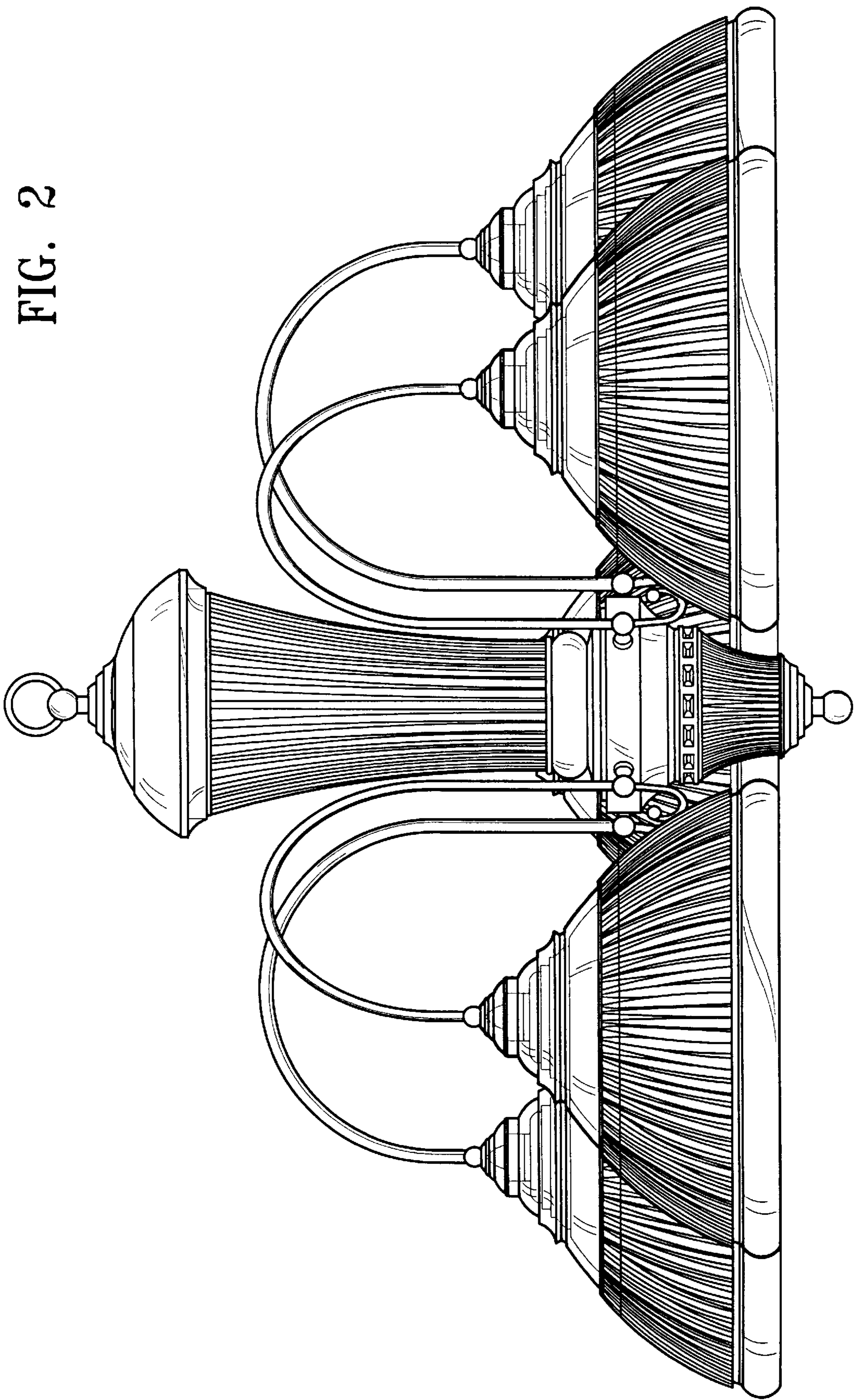


FIG. 2

FIG. 3

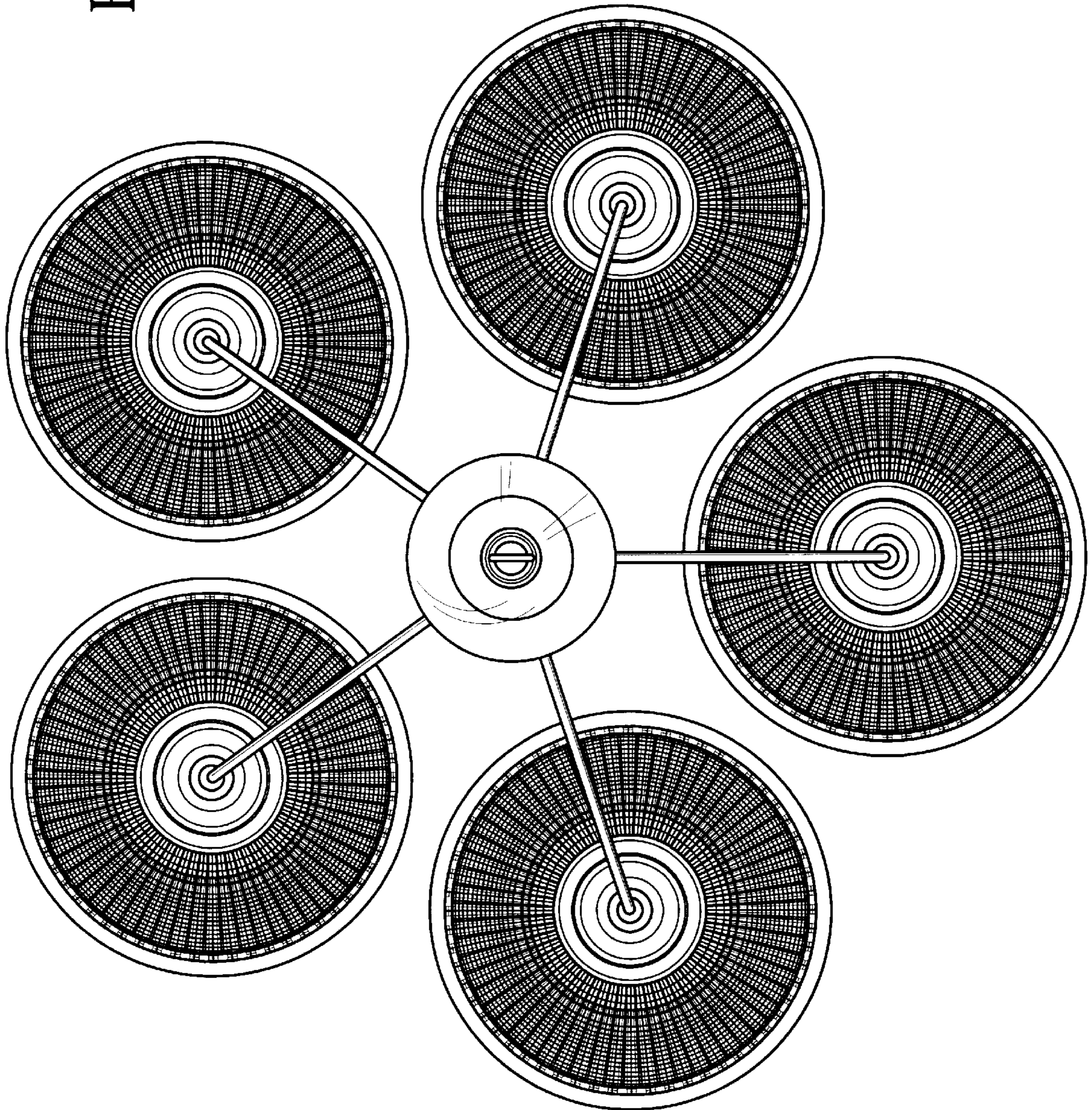


FIG. 4

