



US00D426011S

# United States Patent [19]

Giese et al.

[11] Patent Number: **Des. 426,011**

[45] Date of Patent: **\*\* May 30, 2000**

[54] **OUTDOOR LIGHT FIXTURE**

[75] Inventors: **Robert D. Giese, Kenosha, Wis.;**  
**Edward C. Cornell, Waukegan, Ill.**

[73] Assignee: **Intermatic Incorporated, Spring Grove, Ill.**

[\*\*] Term: **14 Years**

[21] Appl. No.: **29/099,394**

[22] Filed: **Jan. 20, 1999**

[51] **LOC (7) Cl.** ..... **26-05**

[52] **U.S. Cl.** ..... **D26/68**

[58] **Field of Search** ..... D26/67-71; 362/153,  
362/153.1, 431

[56] **References Cited**

**U.S. PATENT DOCUMENTS**

- D. 205,973 10/1966 Lawlor .
- D. 205,974 10/1966 Lawlor .
- D. 226,778 4/1973 Breed et al. .
- D. 235,797 7/1975 Friedberg .
- D. 290,410 6/1987 Haggard .
- D. 305,156 12/1989 Maddock .
- D. 308,111 5/1990 Banathy et al. .
- D. 309,785 8/1990 Chien .
- D. 316,452 4/1991 Kira .
- D. 316,459 4/1991 Kira .
- D. 316,758 5/1991 Kira .
- D. 317,661 6/1991 Kira .
- D. 318,136 7/1991 Kira .
- D. 319,891 9/1991 Giese .
- D. 323,567 1/1992 Denison et al. .
- D. 333,529 2/1993 Denison et al. .
- D. 360,961 8/1995 Czerlanis et al. .
- D. 360,962 8/1995 Cornell et al. .
- D. 360,963 8/1995 Czerlanis et al. .
- D. 360,964 8/1995 Cullen et al. .
- D. 360,965 8/1995 Cullen et al. .

- D. 366,713 1/1996 Cornell et al. .
- D. 382,308 8/1997 Cornell et al. .
- D. 390,681 2/1998 Denison et al. .
- D. 392,763 3/1998 Denison et al. .
- D. 393,090 3/1998 Giese et al. .
- 4,999,749 3/1991 Dormand .
- 5,692,828 12/1997 Chung .

**OTHER PUBLICATIONS**

Design Guide, B-K Lighting, Inc., 1988.  
 Lighting Catalog, Bright Yin Huey Co., Ltd., 1995.  
 Architectural Grade Landscape Lighting Products catalog, INTERMATIC, 1993.  
 Architectural Grade Landscape Lighting Products catalog, INTERMATIC, May 1995.  
 Imaginative Illumination catalog, INTERMATIC, 1992.  
 Distributor Confidential Price List, INTERMATIC, Jan. 1, 1996.  
 Home Gardner 1997 Spring and Summer Catalogue, cover and p. R-6.  
 Home Gardner 1996 Spring and Summer Catalogue, cover and one unnumbered page.

*Primary Examiner*—Lisa Lichtenstein  
*Attorney, Agent, or Firm*—Brinks Hofer Gilson & Lione

[57] **CLAIM**

The ornamental design for an outdoor light fixture, as shown and described.

**DESCRIPTION**

FIG. 1 is a perspective view of an outdoor light fixture, showing our new design;  
 FIG. 2 is a front, right and left side and rear view thereof;  
 FIG. 3 is a top view thereof; and,  
 FIG. 4 is a bottom view thereof.  
 The broken-line showing of environmental structure in FIGS. 1, 2 and 4 is for illustrative purposes only and forms no part of the claimed design.

**1 Claim, 2 Drawing Sheets**

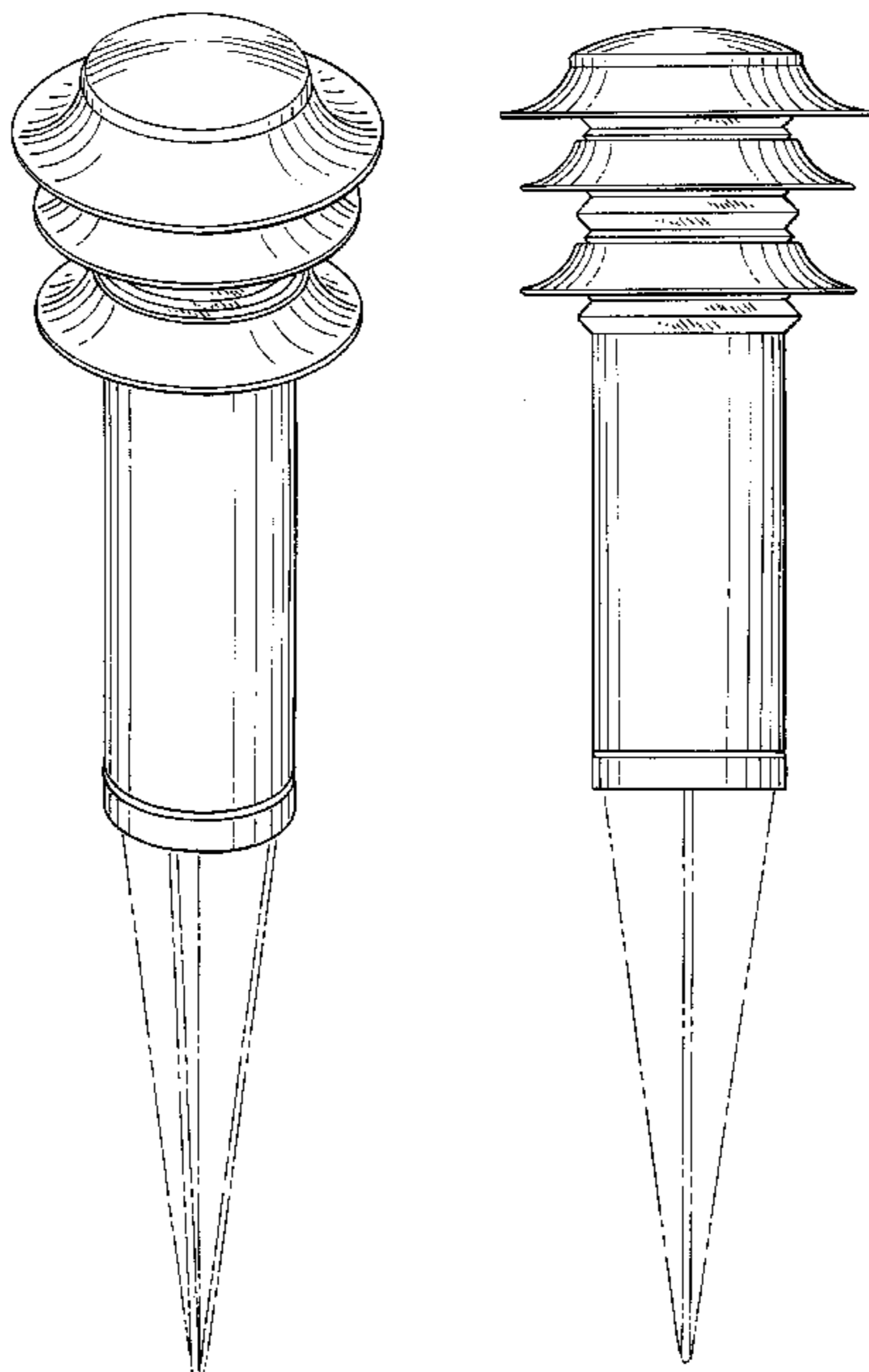


FIG. 1

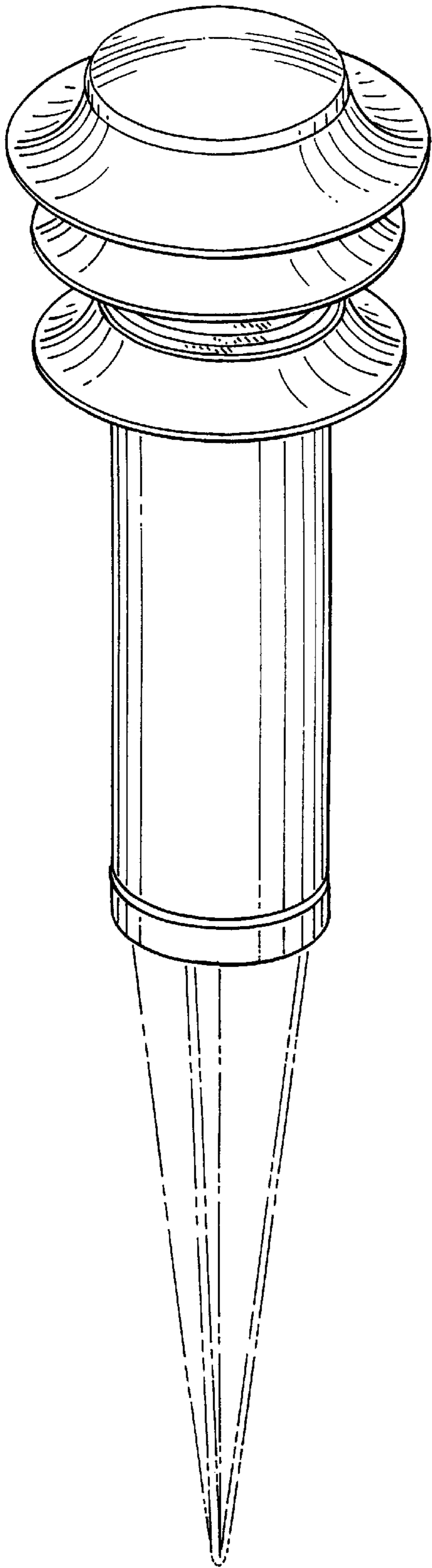


FIG. 2

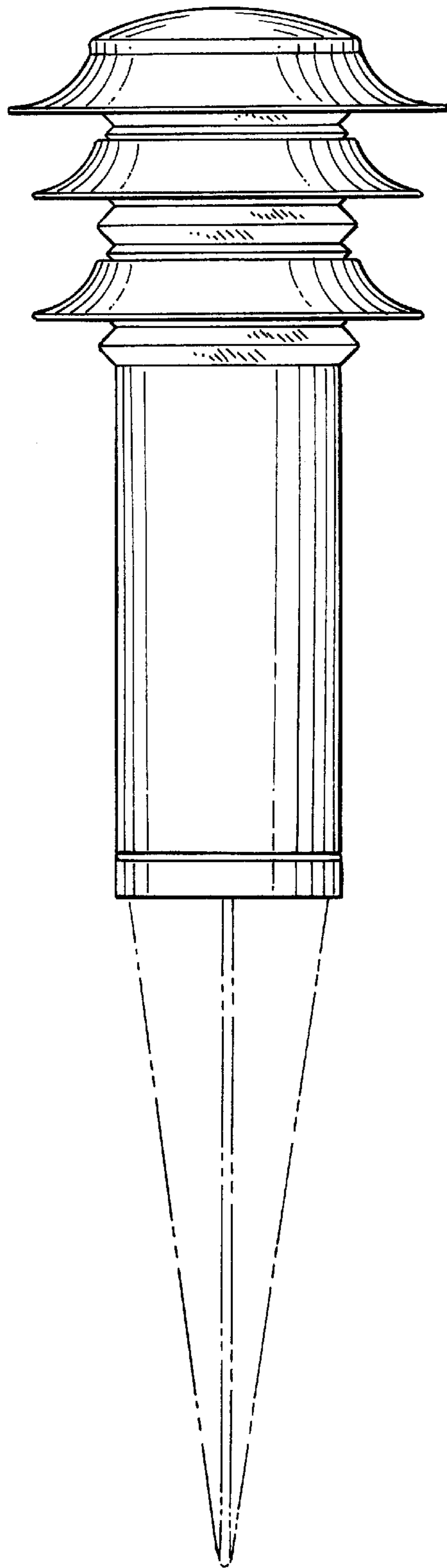


FIG. 3

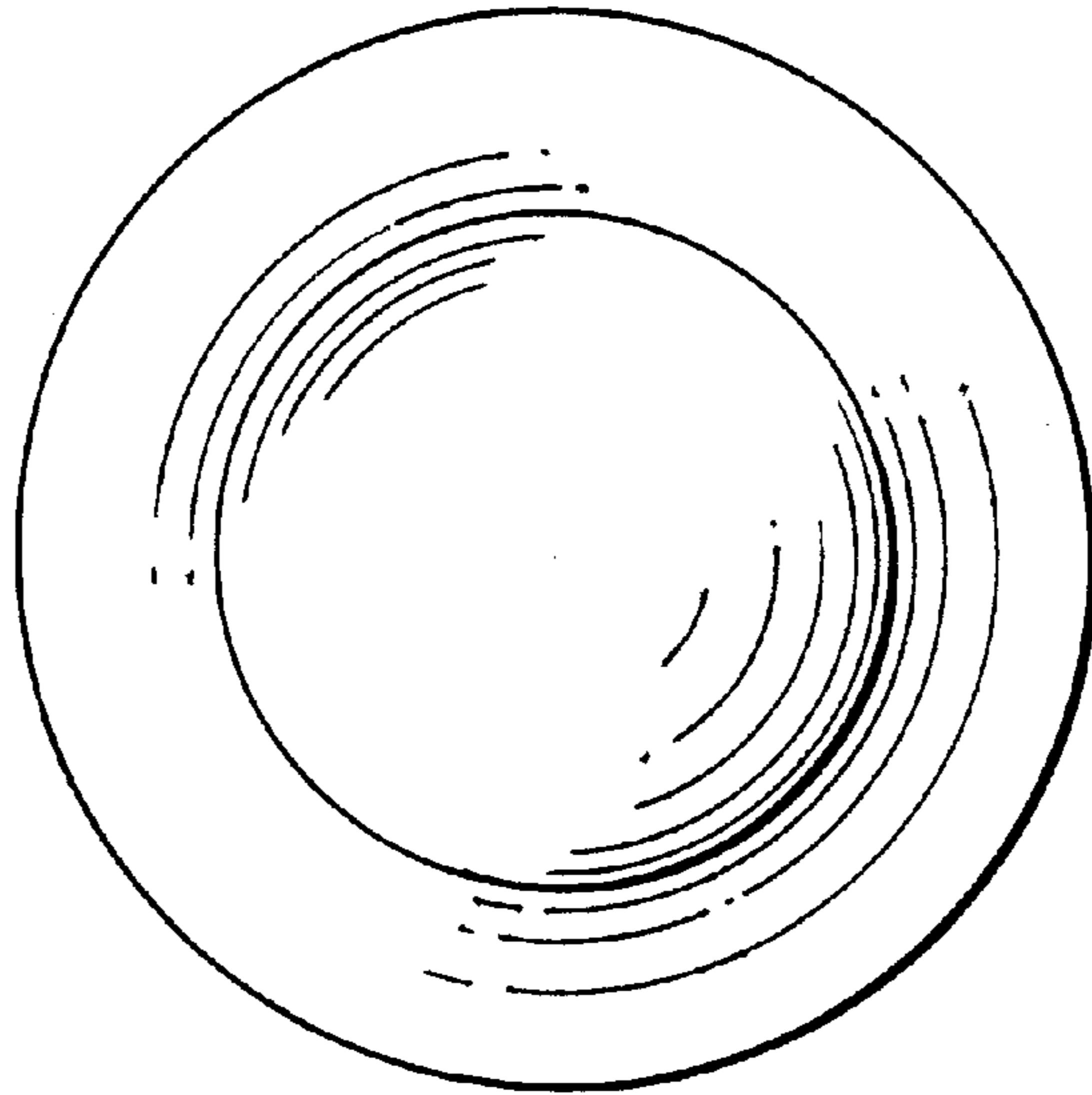


FIG. 4

