



US00D426009S

United States Patent [19]
Swanson

[11] **Patent Number: Des. 426,009**
[45] **Date of Patent: ** May 30, 2000**

[54] **DESK LAMP HAVING ADJUSTABLE TASK LIGHTS AND GENERAL AREA LIGHTING**

[75] Inventor: **Dennis K. Swanson**, Woodland Hills, Calif.

[73] Assignee: **Pacific Coast Lighting**, Chatsworth, Calif.

[**] Term: **14 Years**

[21] Appl. No.: **29/102,041**

[22] Filed: **Mar. 16, 1999**

[51] **LOC (7) Cl.** **26-05**

[52] **U.S. Cl.** **D26/65**

[58] **Field of Search** D26/93, 102-112,
D26/61, 63, 65; 362/410-414, 269, 277,
287, 418, 419, 427

[56] **References Cited**

U.S. PATENT DOCUMENTS

D. 347,904 6/1994 Swanson D26/63

OTHER PUBLICATIONS

Home Lighting and Accessories, Jun. 1993, p. 70, Diamond Classics floor lamp, right hand side.

Home Lighting and Accessories, Feb. 1995, p. 72, Grammercy combo light, top right.

Taiwan Lighting, Nov. 1996, p. 65, floor lamp, top, center.

Primary Examiner—Susan J. Lucas

Attorney, Agent, or Firm—Fulbright & Jaworski L.L.P.

[57] **CLAIM**

The ornamental design for a desk lamp having adjustable task lights and general area lighting, as shown and described.

DESCRIPTION

FIG. 1 is a perspective view of a desk lamp having adjustable task lights and general area lighting of my invention;

FIG. 2 is a front elevational view thereof;

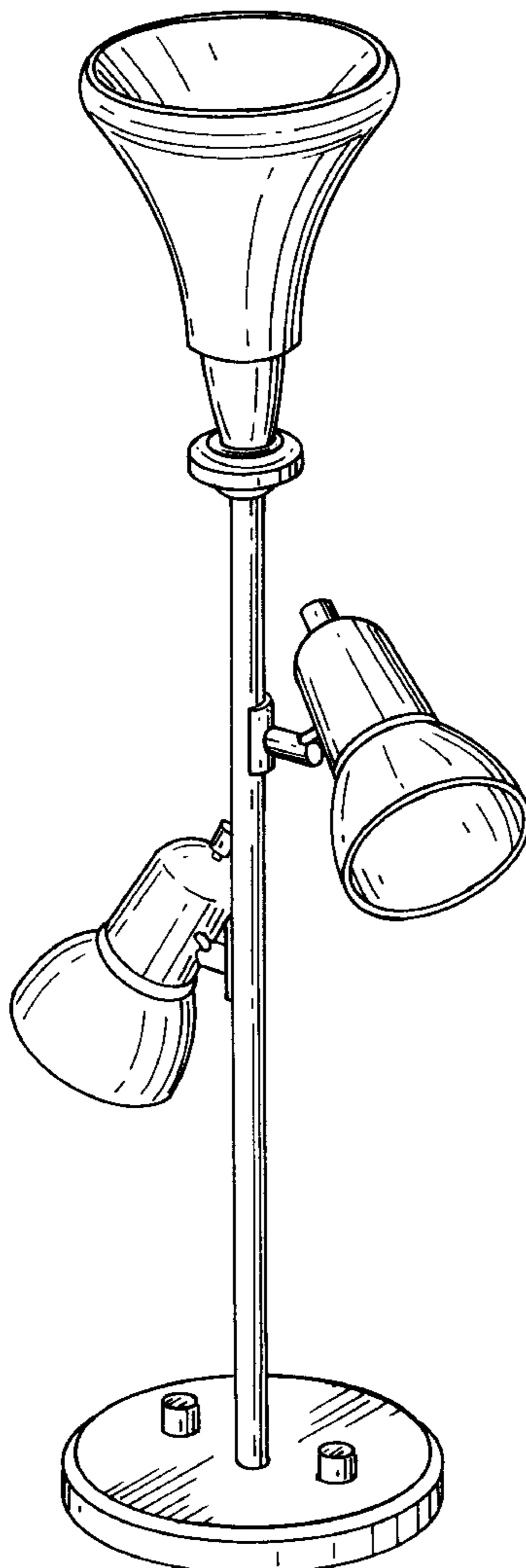
FIG. 3 is a rear elevational view thereof;

FIG. 4 is a top plan view thereof;

FIG. 5 is a right elevational view thereof; and,

FIG. 6 is a left elevational view thereof.

1 Claim, 3 Drawing Sheets



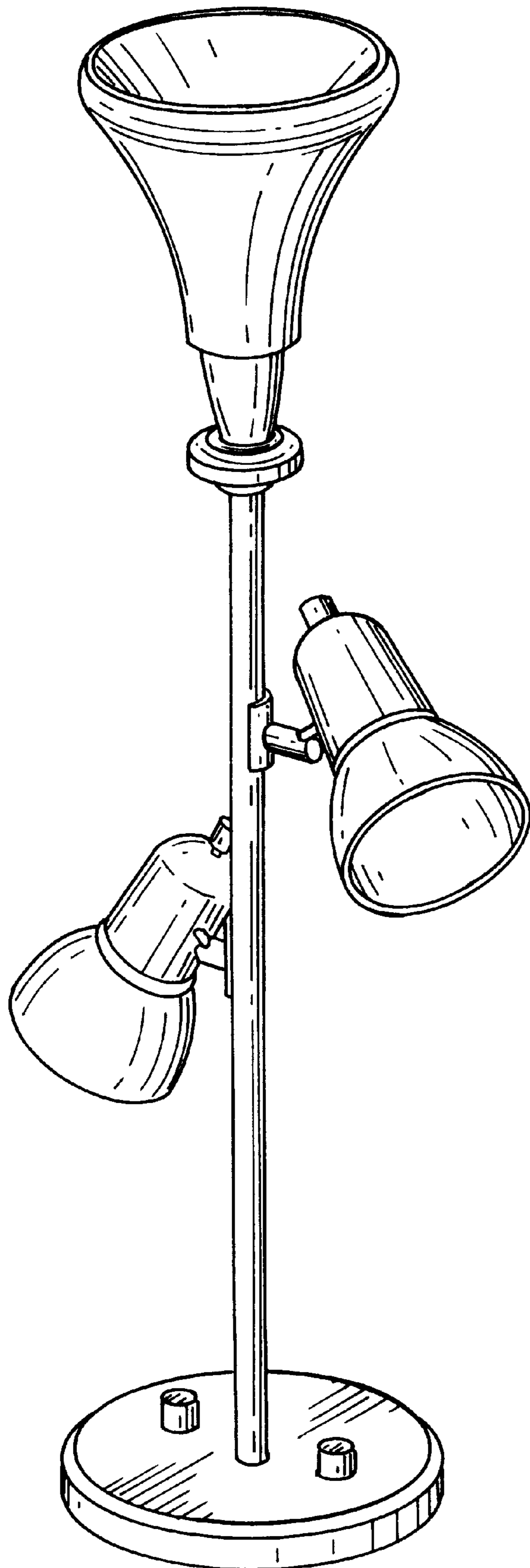
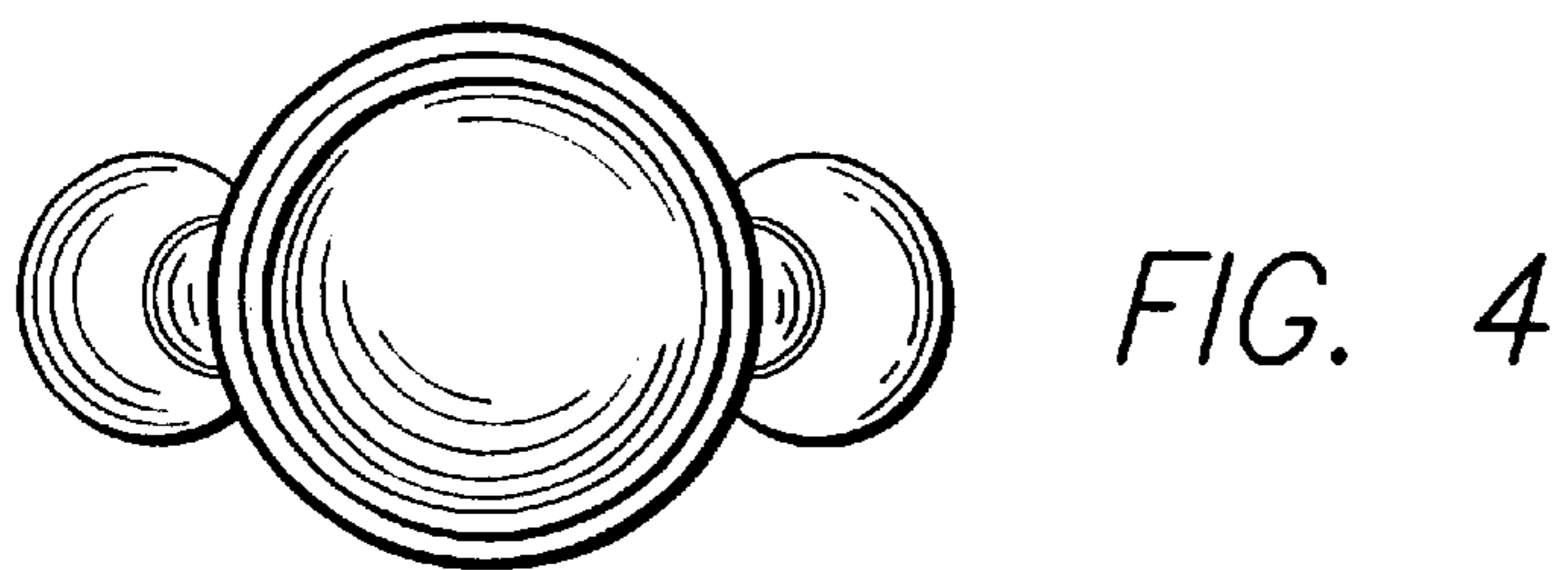
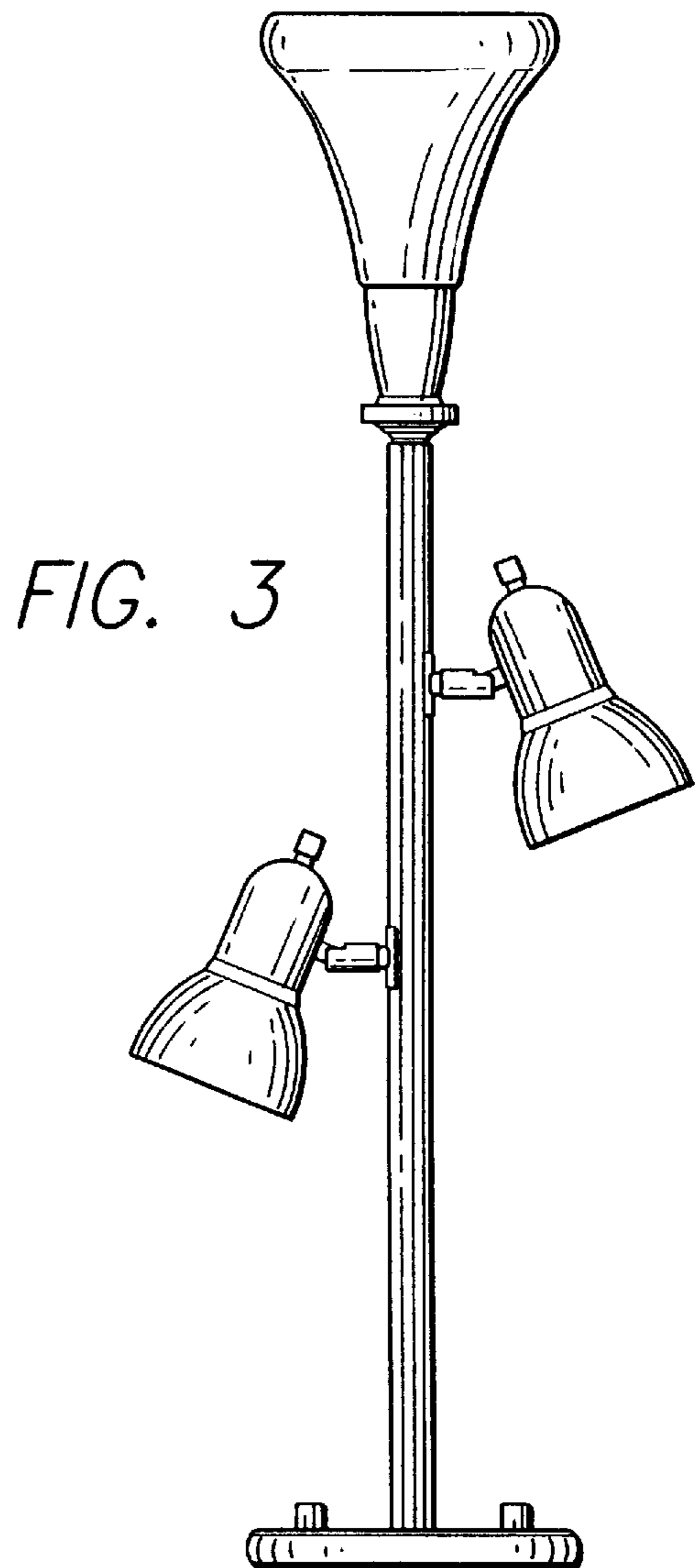
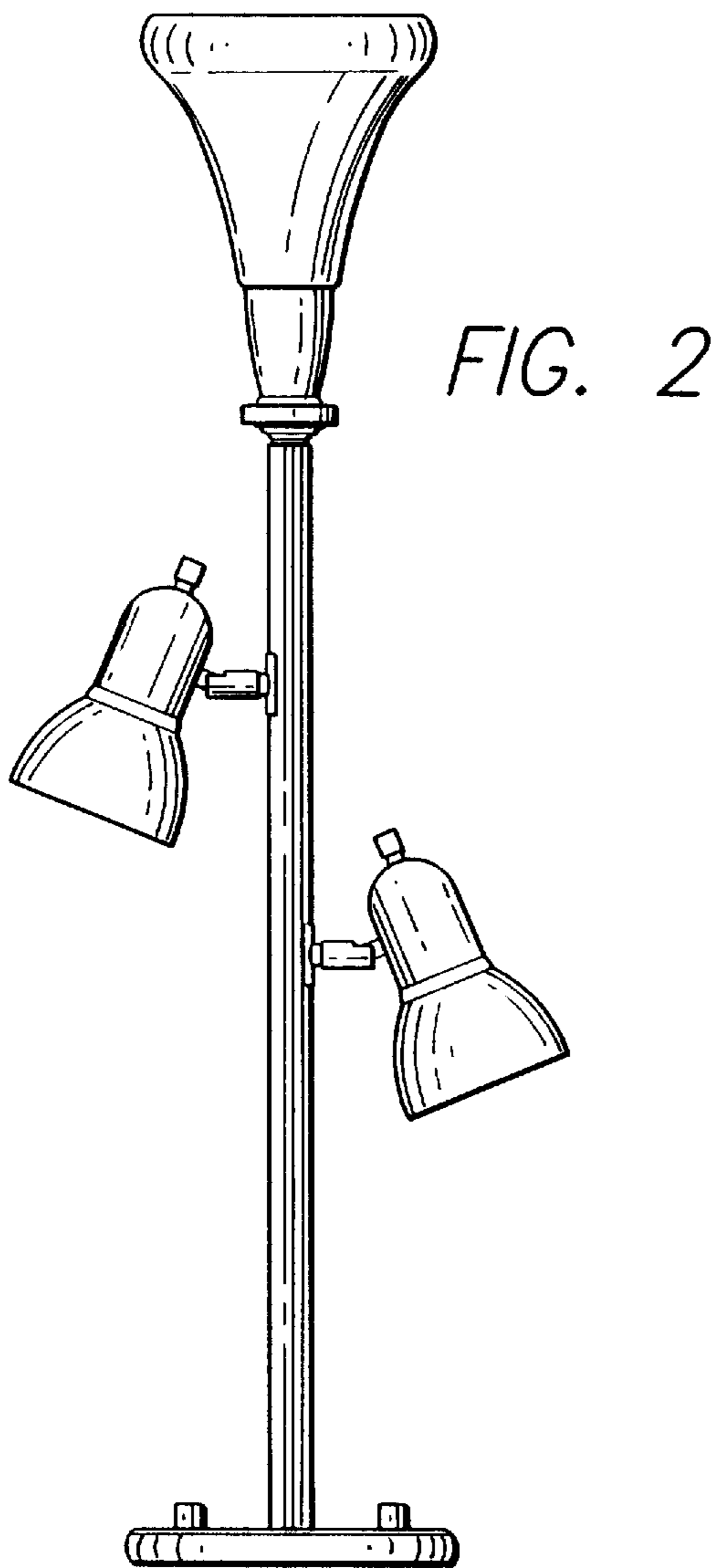


FIG. 1



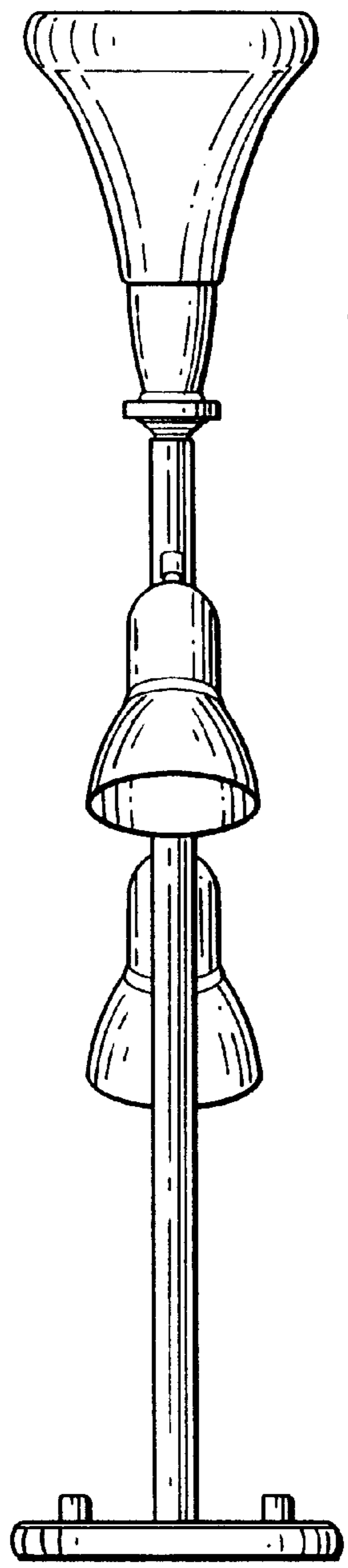


FIG. 5

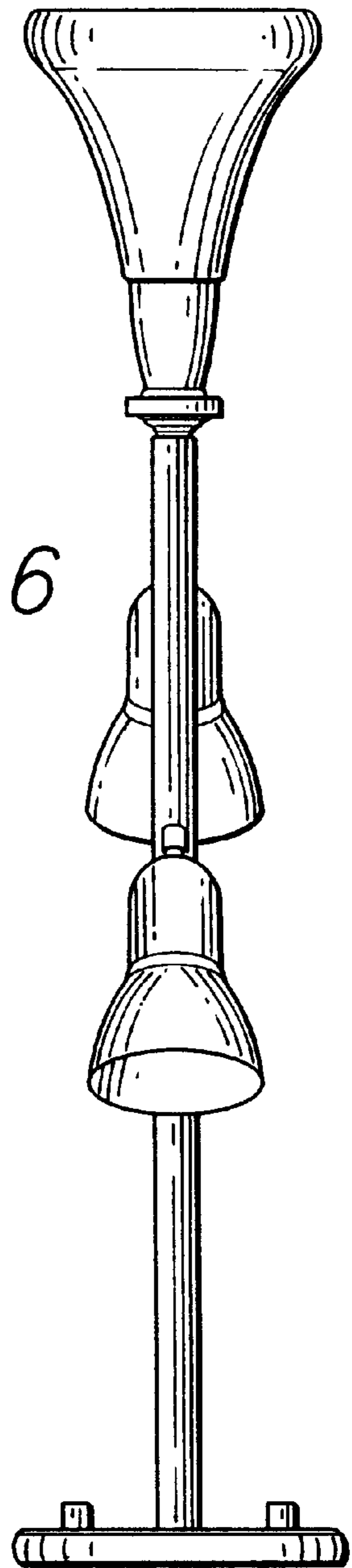


FIG. 6