



US00D426008S

# United States Patent [19] Gilmer

[11] **Patent Number: Des. 426,008**

[45] **Date of Patent: \*\* May 30, 2000**

[54] **LIGHTING DEVICE FOR THERMOSTATS**

[76] Inventor: **Jan C. Gilmer**, 1213 4th Ave. P.O. Box 400, Howard Lake, Minn. 55349

[\*\*] Term: **14 Years**

[21] Appl. No.: **29/092,262**

[22] Filed: **Aug. 14, 1998**

[51] **LOC (7) Cl. .... 26-05**

[52] **U.S. Cl. .... D26/51**

[58] **Field of Search** ..... D26/51, 87, 92;  
362/147, 432, 253, 28, 85, 92, 95; D10/50,  
51; 374/208; 428/31; 73/431

[56] **References Cited**

**U.S. PATENT DOCUMENTS**

D. 136,850	12/1943	Dreyfuss	.....	D10/51
D. 190,050	4/1961	Duncan	.....	D10/51
D. 390,482	2/1998	Pasquarette .		
2,206,437	7/1940	Tracy	.....	73/431
4,582,251	4/1986	Odom, Jr. et al. .		
4,891,252	1/1990	Kaiser, Jr.	.....	428/31
4,895,455	1/1990	Horning .		
5,113,318	5/1992	Conley .		
5,303,612	4/1994	Odom et al. .		
5,491,615	2/1996	Nichols .		

*Primary Examiner*—Freda Nunn  
*Attorney, Agent, or Firm*—Anthony G. Eggink

[57] **CLAIM**

The ornamental design for a lighting device for thermostats, as shown and described.

**DESCRIPTION**

FIG. 1 is an elevational view taken from the front of the thermostat lighting device of my invention and showing the unitary device including a hood and thermostat cover design;

FIG. 2 is a rear elevational view of the thermostat lighting device of FIG. 1;

FIG. 3 is an elevational view taken from the side thereof, the opposite side being a mirror image thereof;

FIG. 4 is a top view thereof;

FIG. 5 is a bottom view thereof;

FIG. 6 is an elevational view taken from the front of another embodiment of the thermostat lighting device of my invention;

FIG. 7 is a rear elevational view thereof;

FIG. 8 is an elevational view taken from the side thereof, the opposite side being a mirror image thereof;

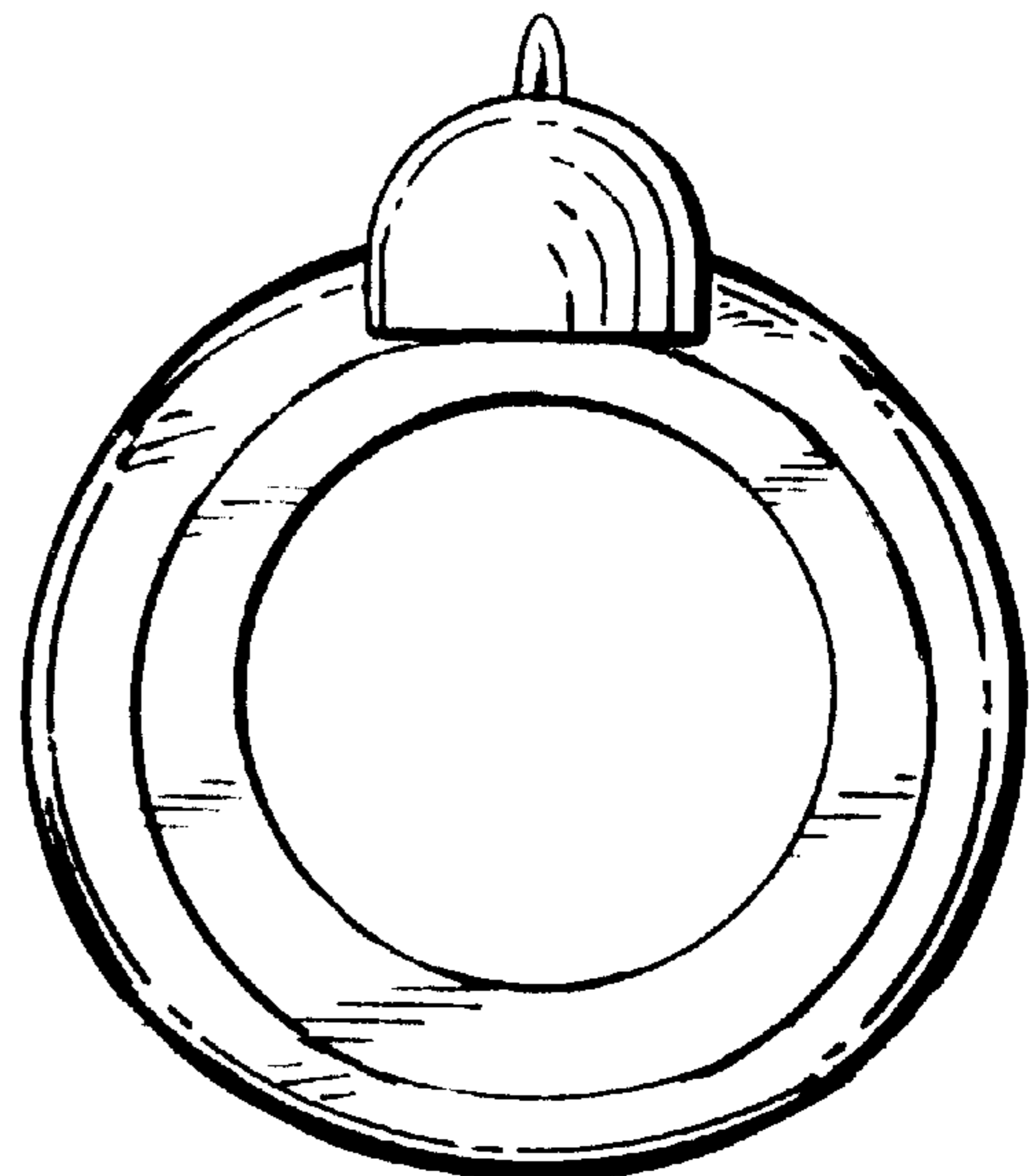
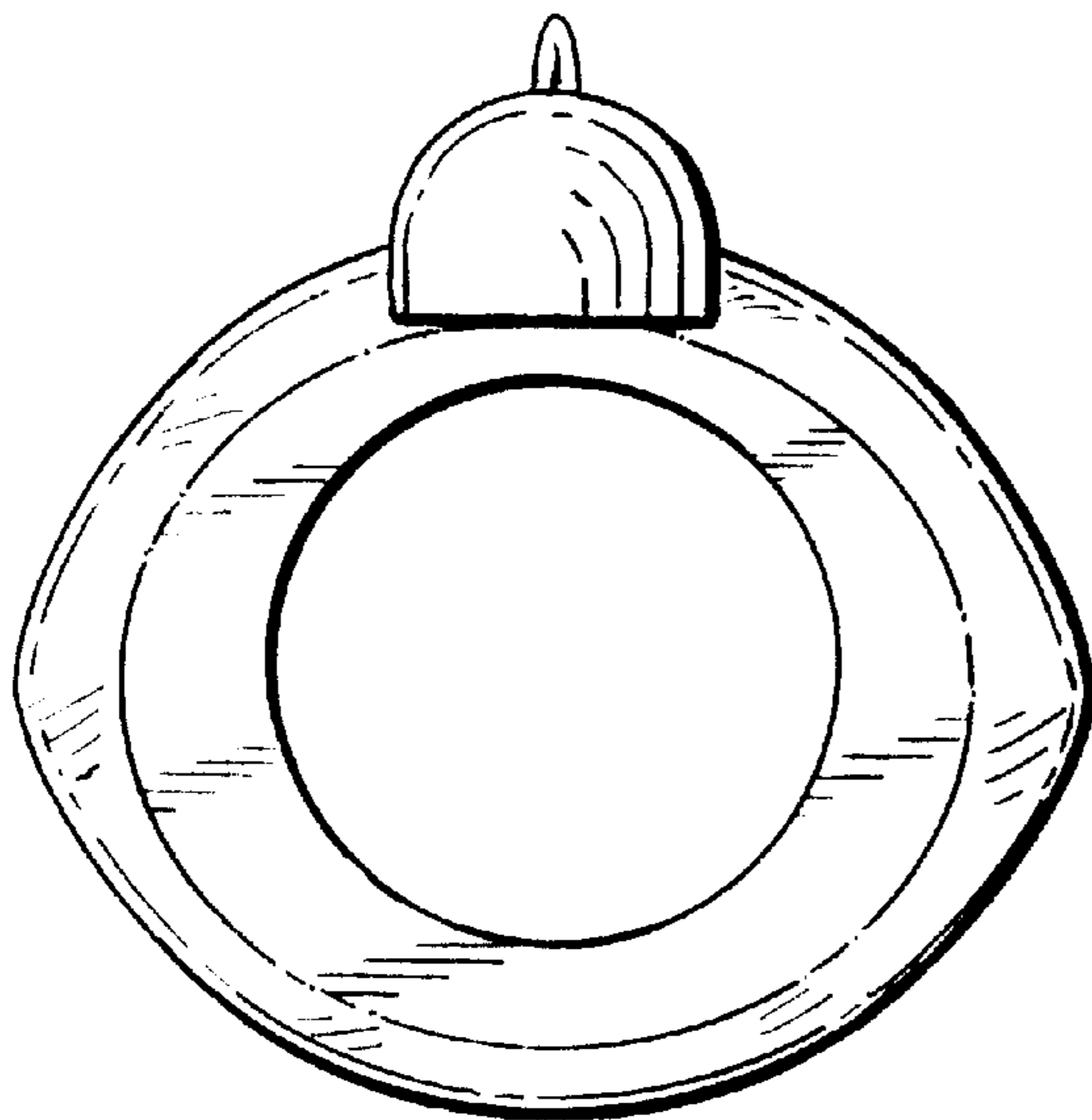
FIG. 9 is a top view thereof;

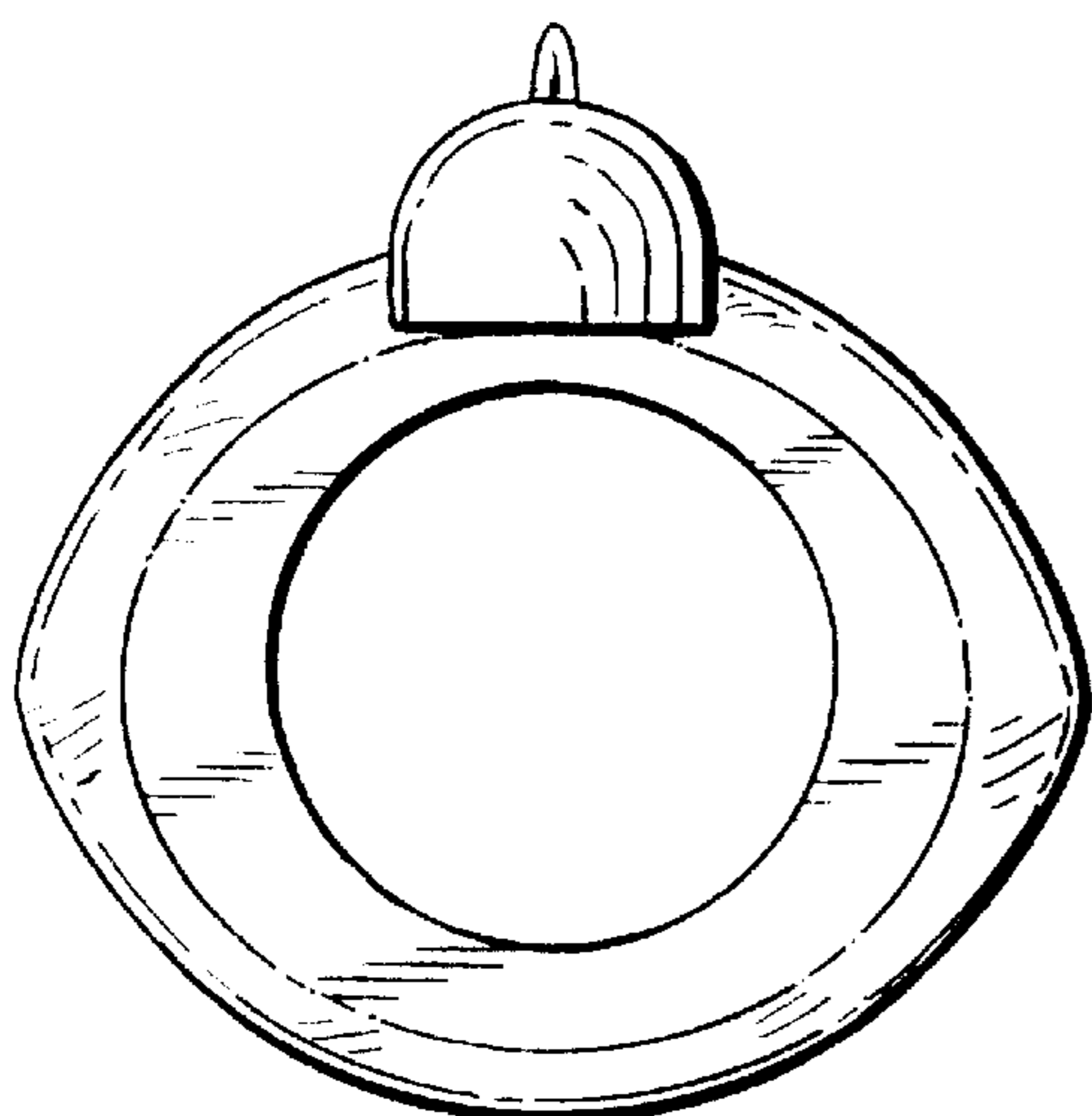
FIG. 10 is a bottom view thereof;

FIG. 11 is a front view of another embodiment of the thermostat lighting device of my invention; and,

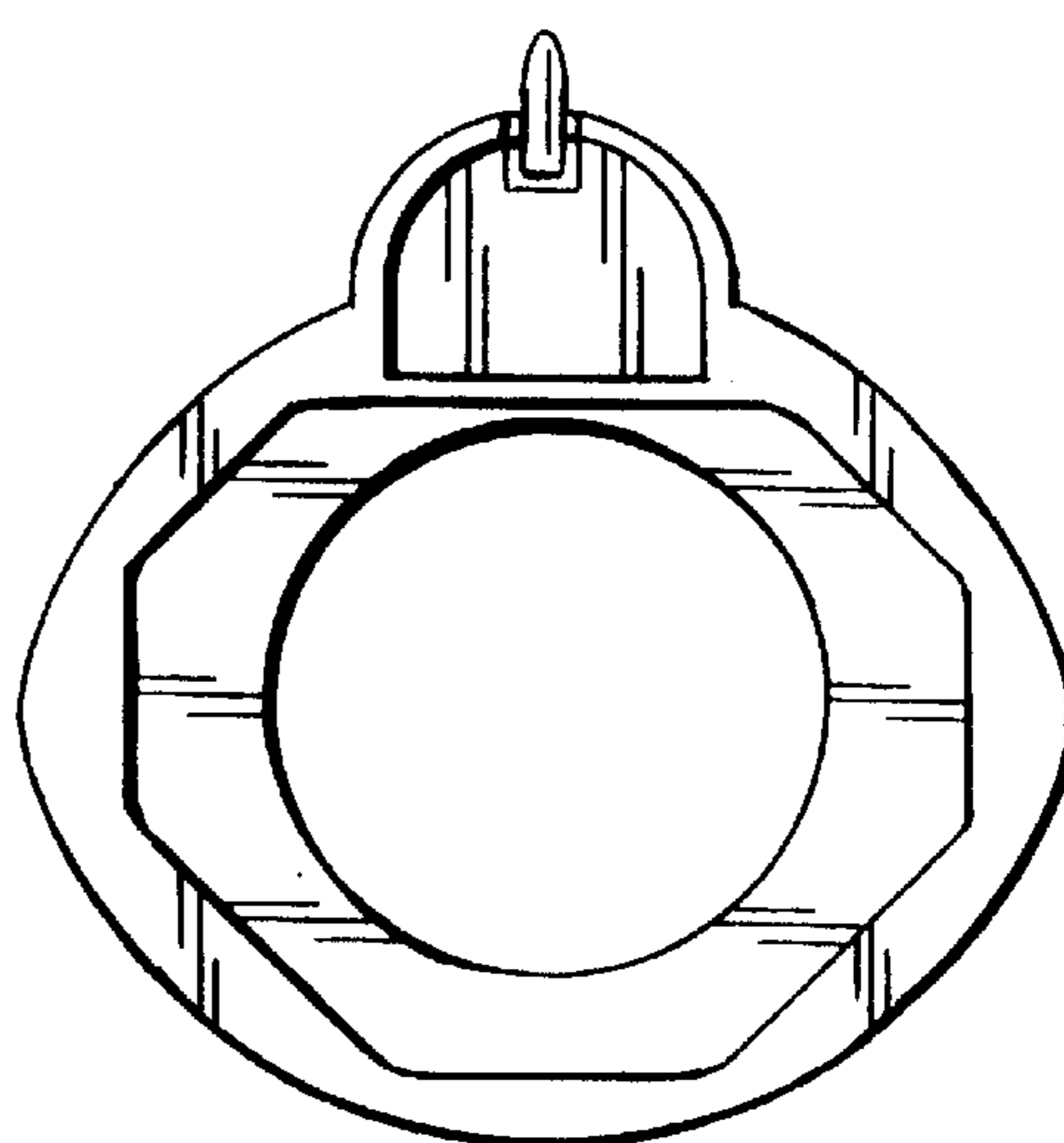
FIG. 12 is a rear elevational view thereof, the side, top and bottom views of this embodiment being the same as shown in FIGS. 3, 4 and 5, respectively.

**1 Claim, 3 Drawing Sheets**

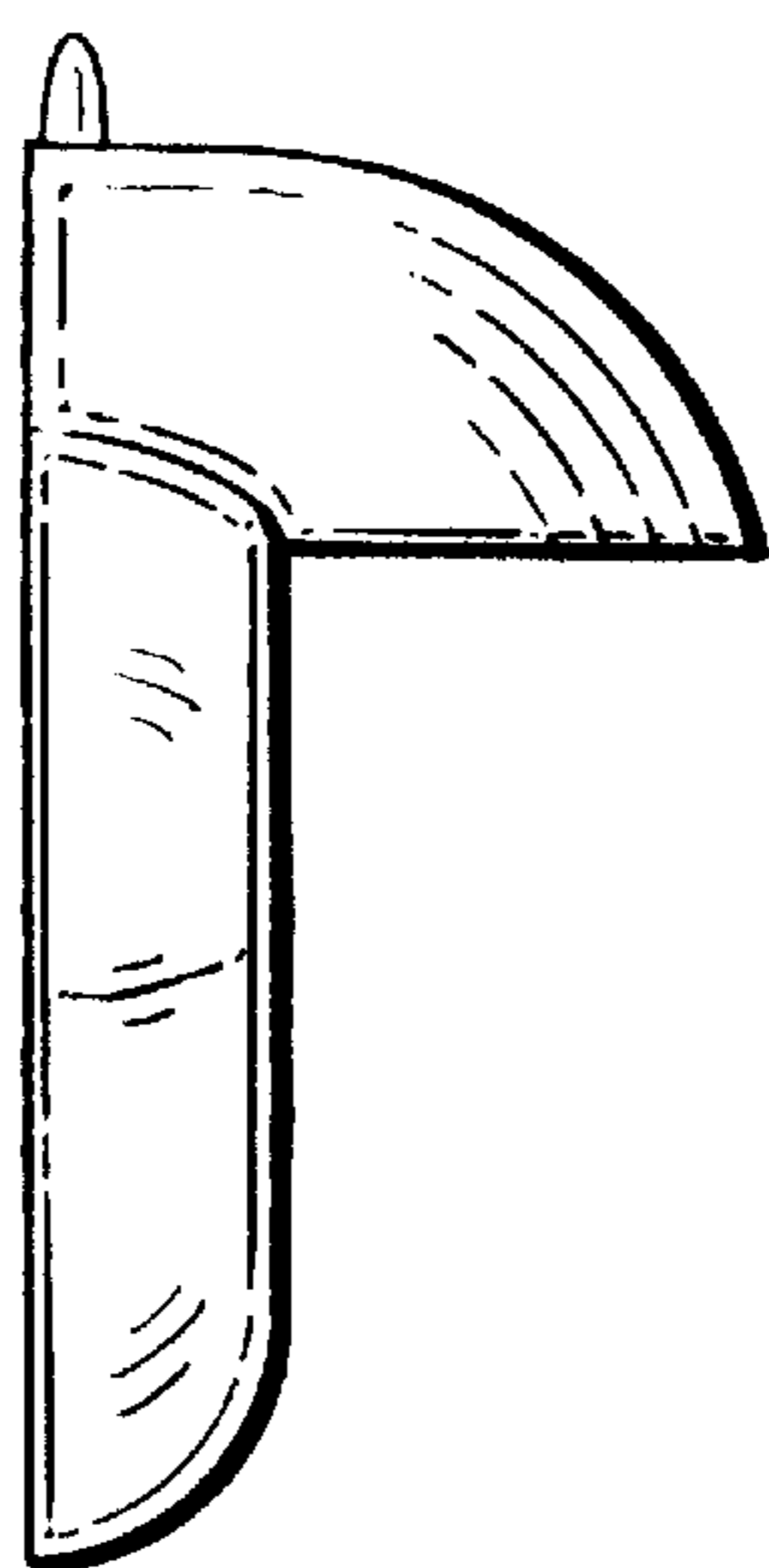




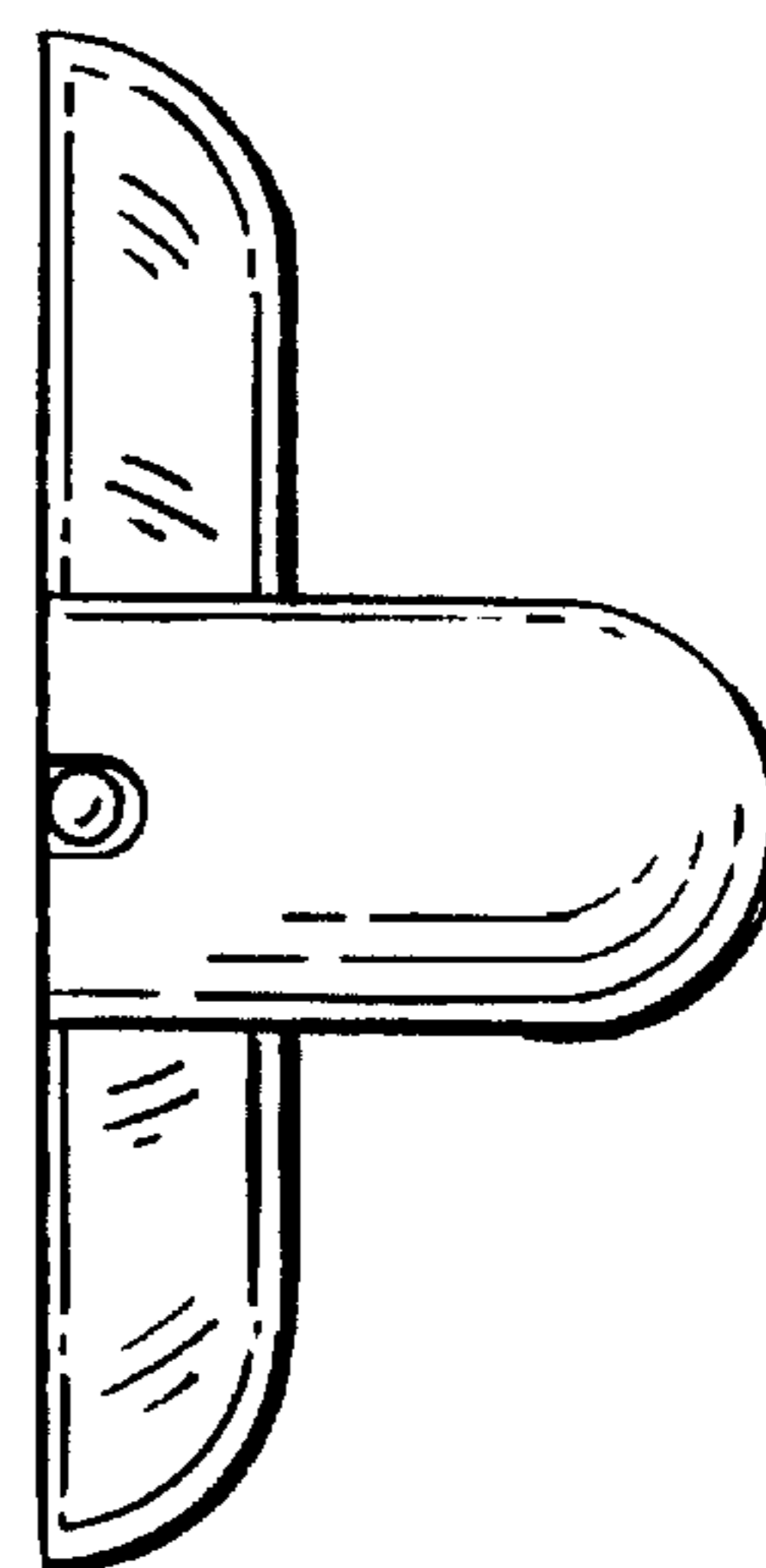
**FIG. 1**



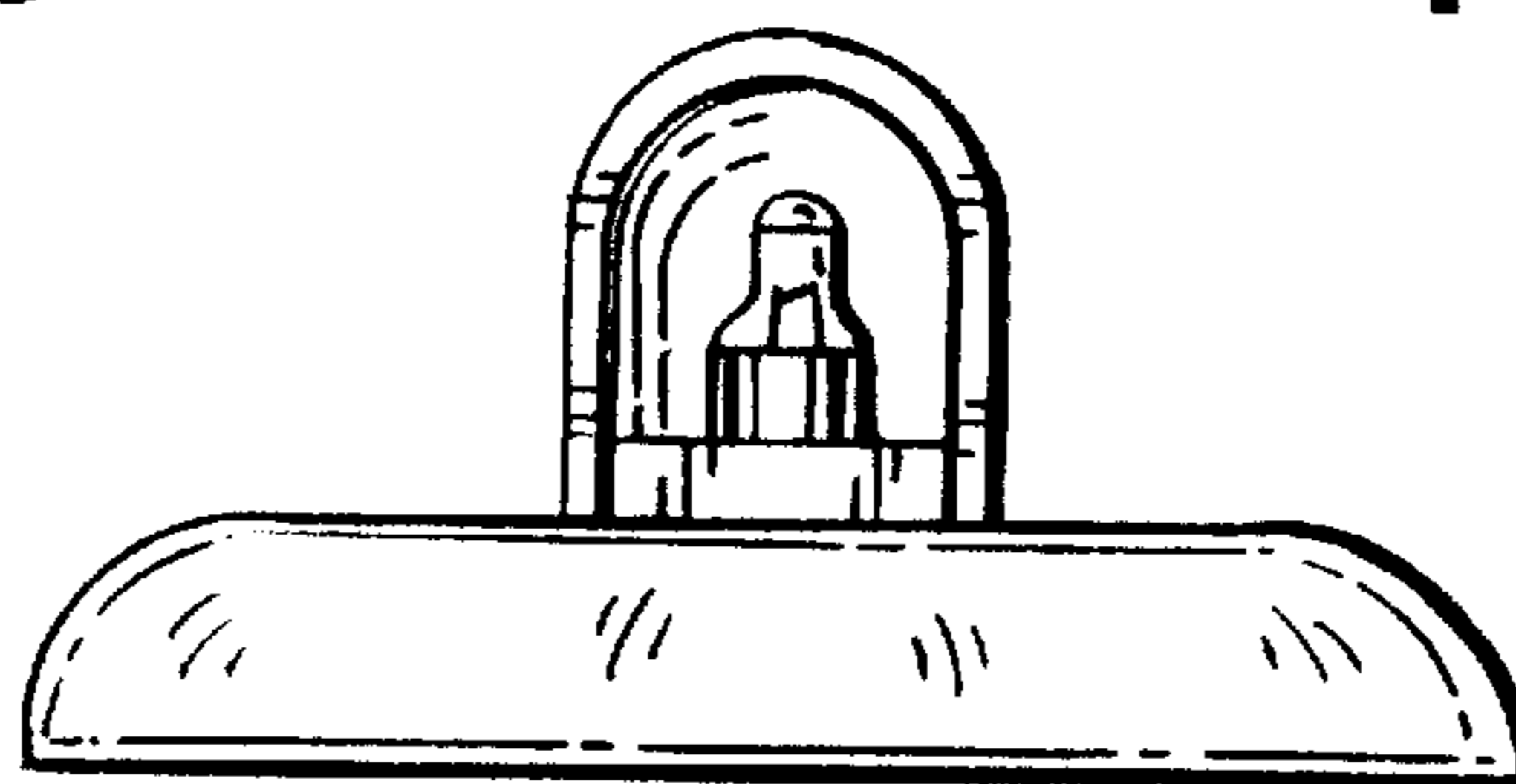
**FIG. 2**



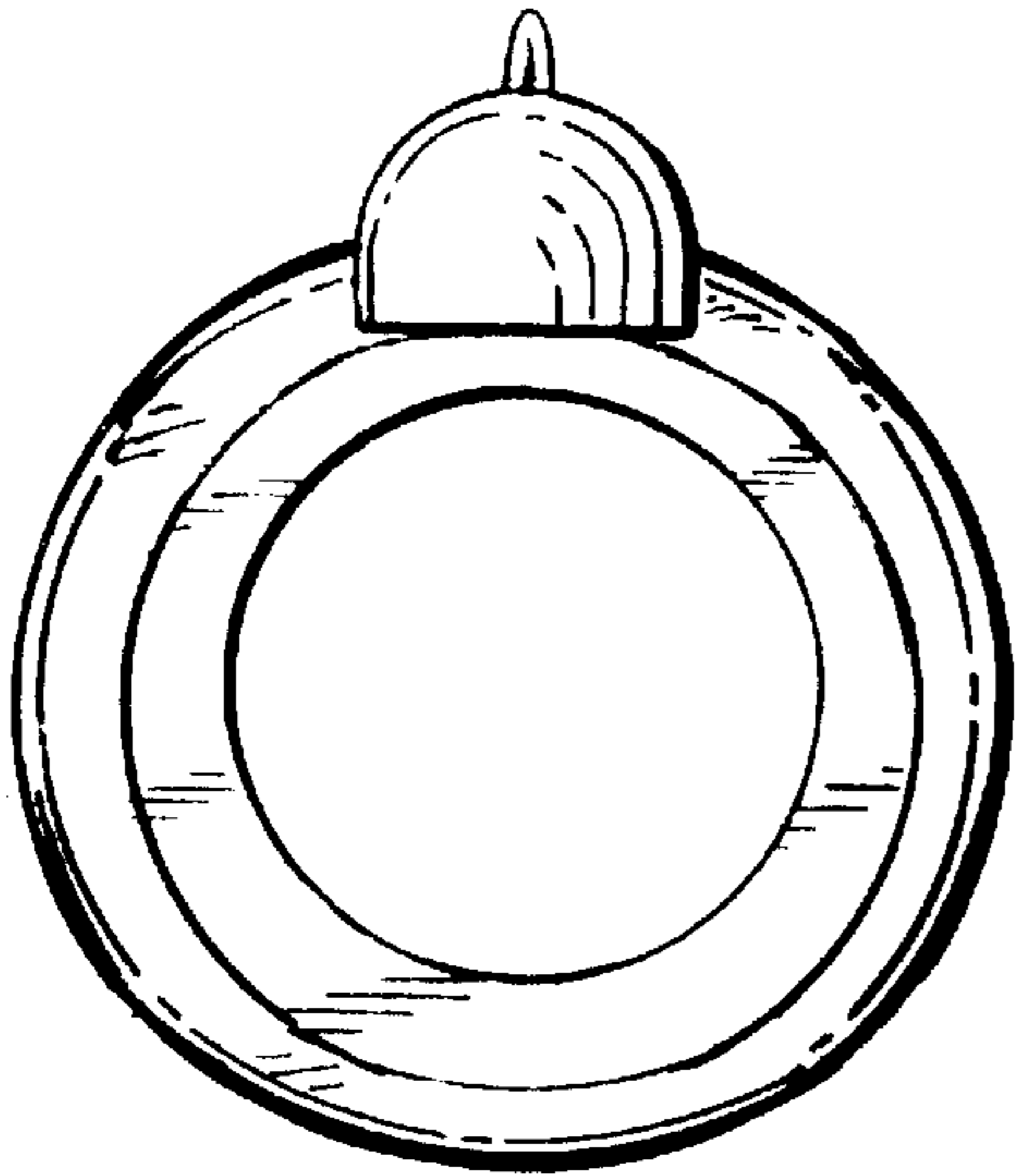
**FIG. 3**



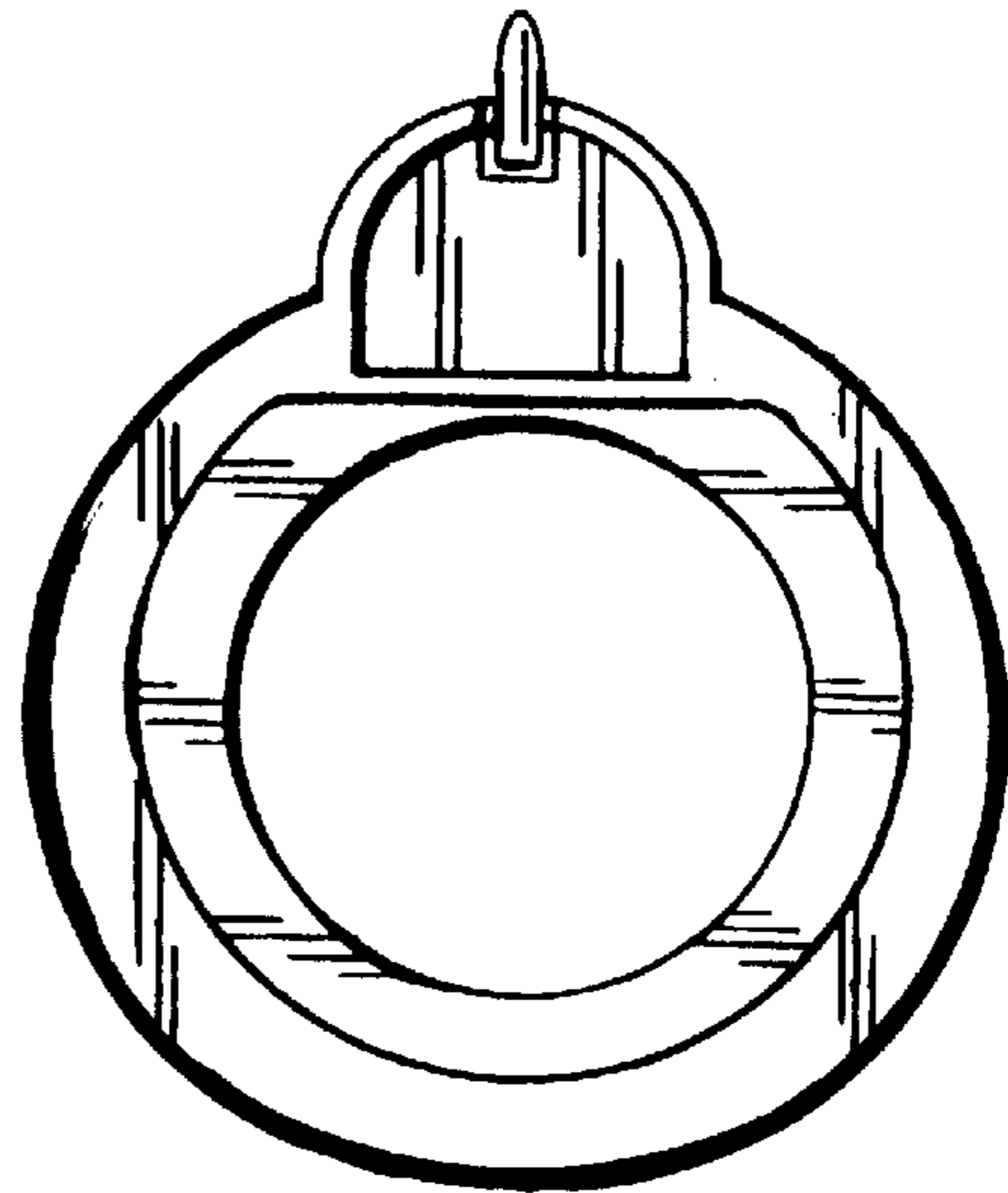
**FIG. 4**



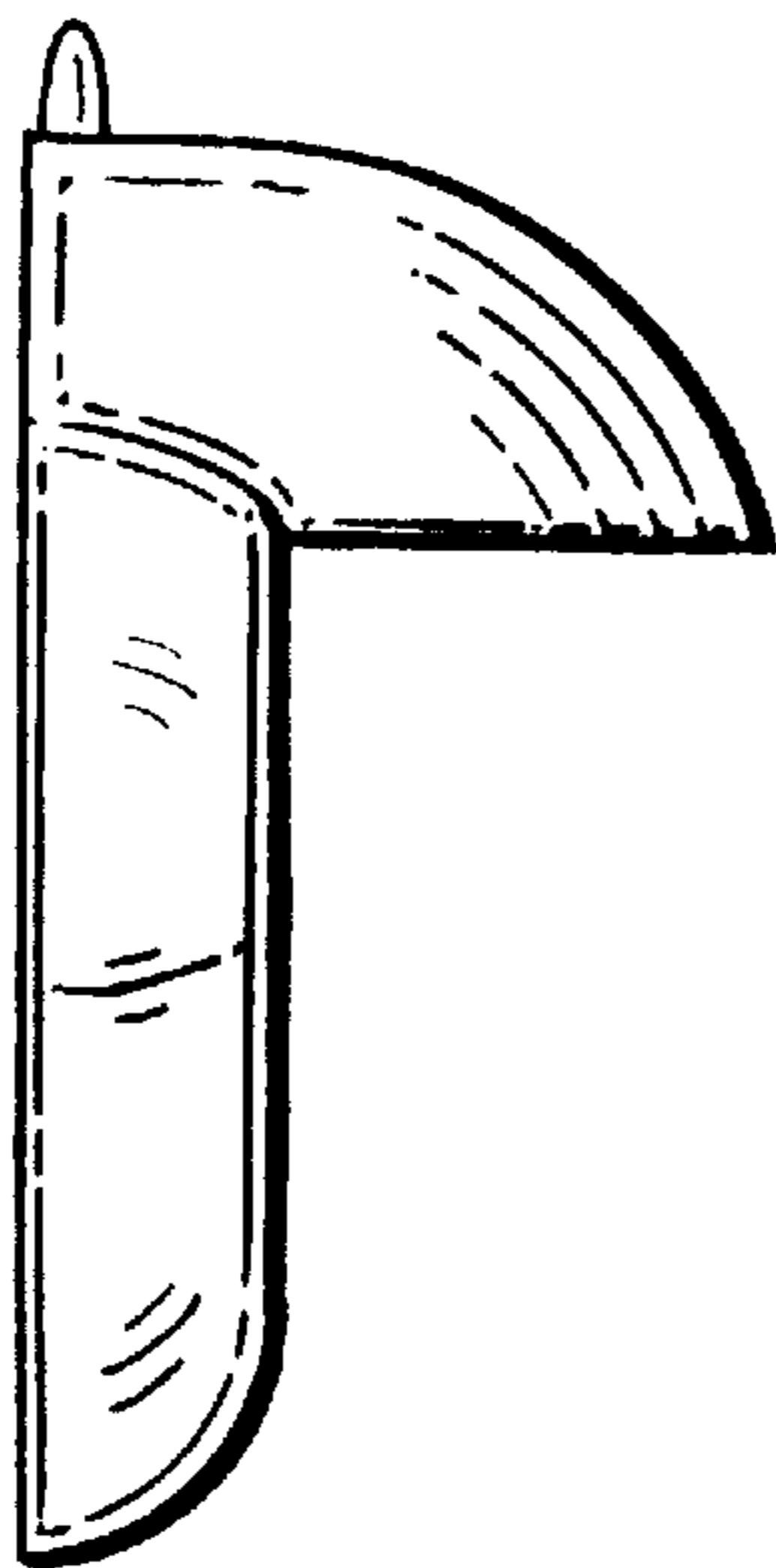
**FIG. 5**



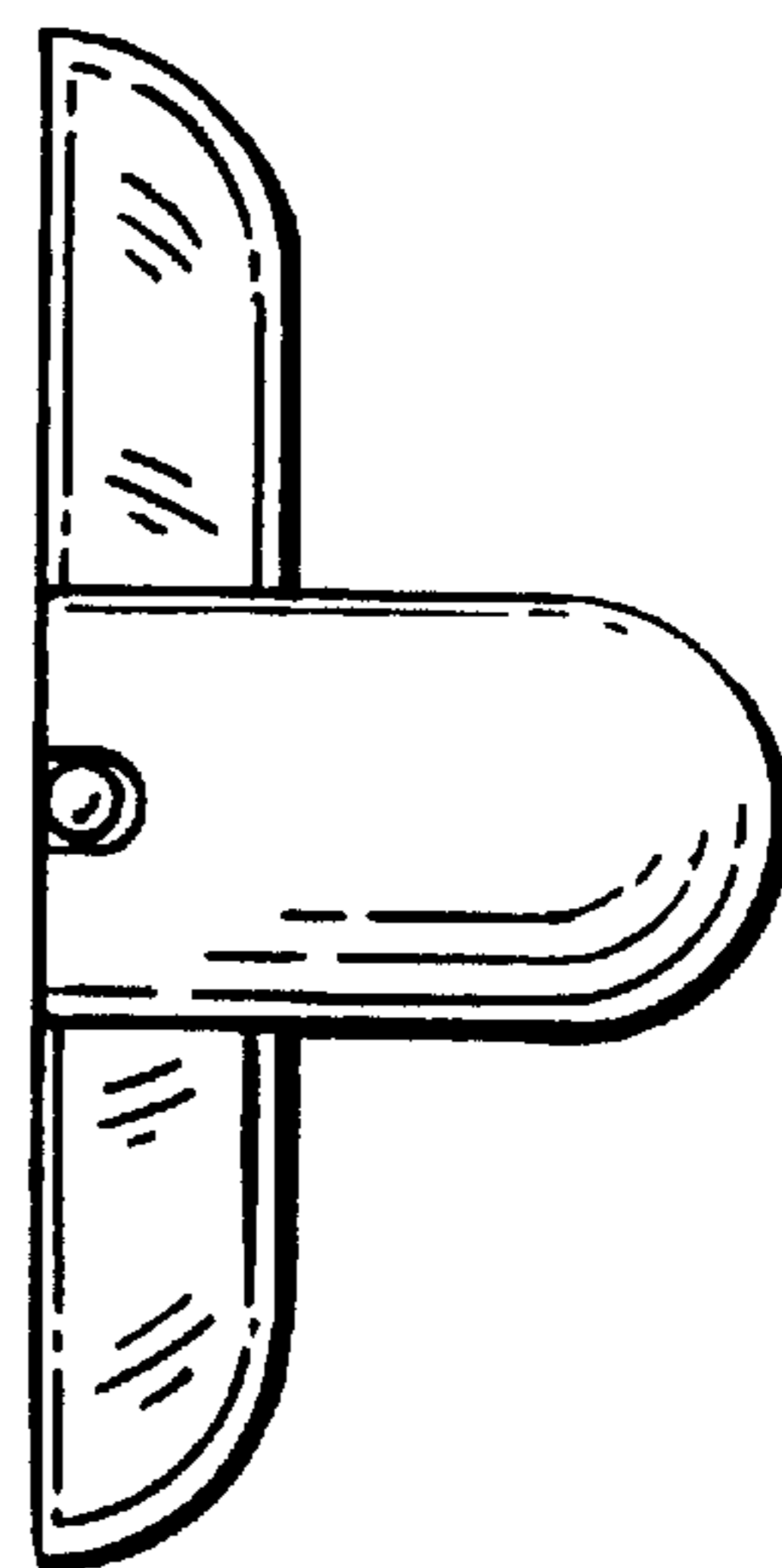
**FIG. 6**



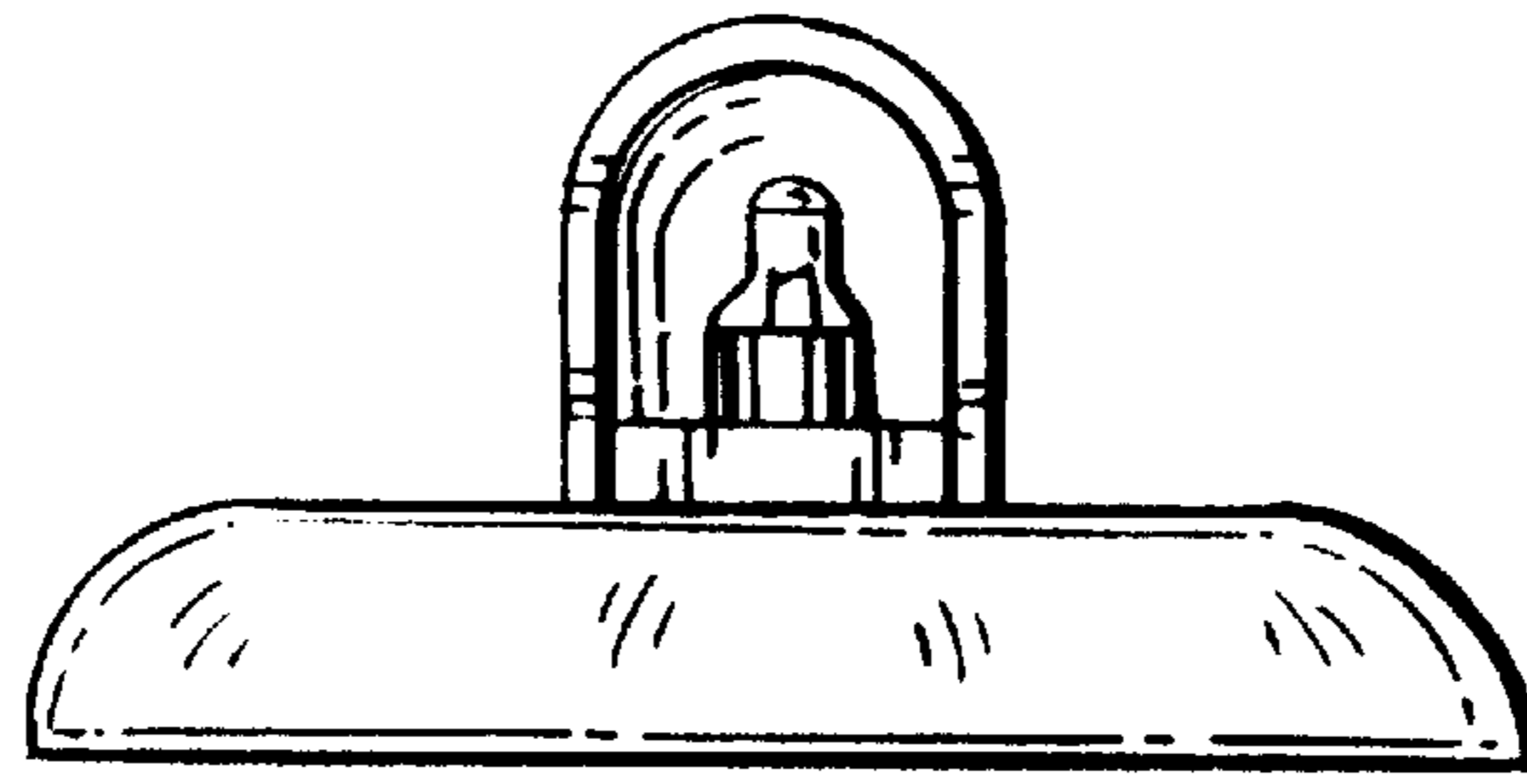
**FIG. 7**



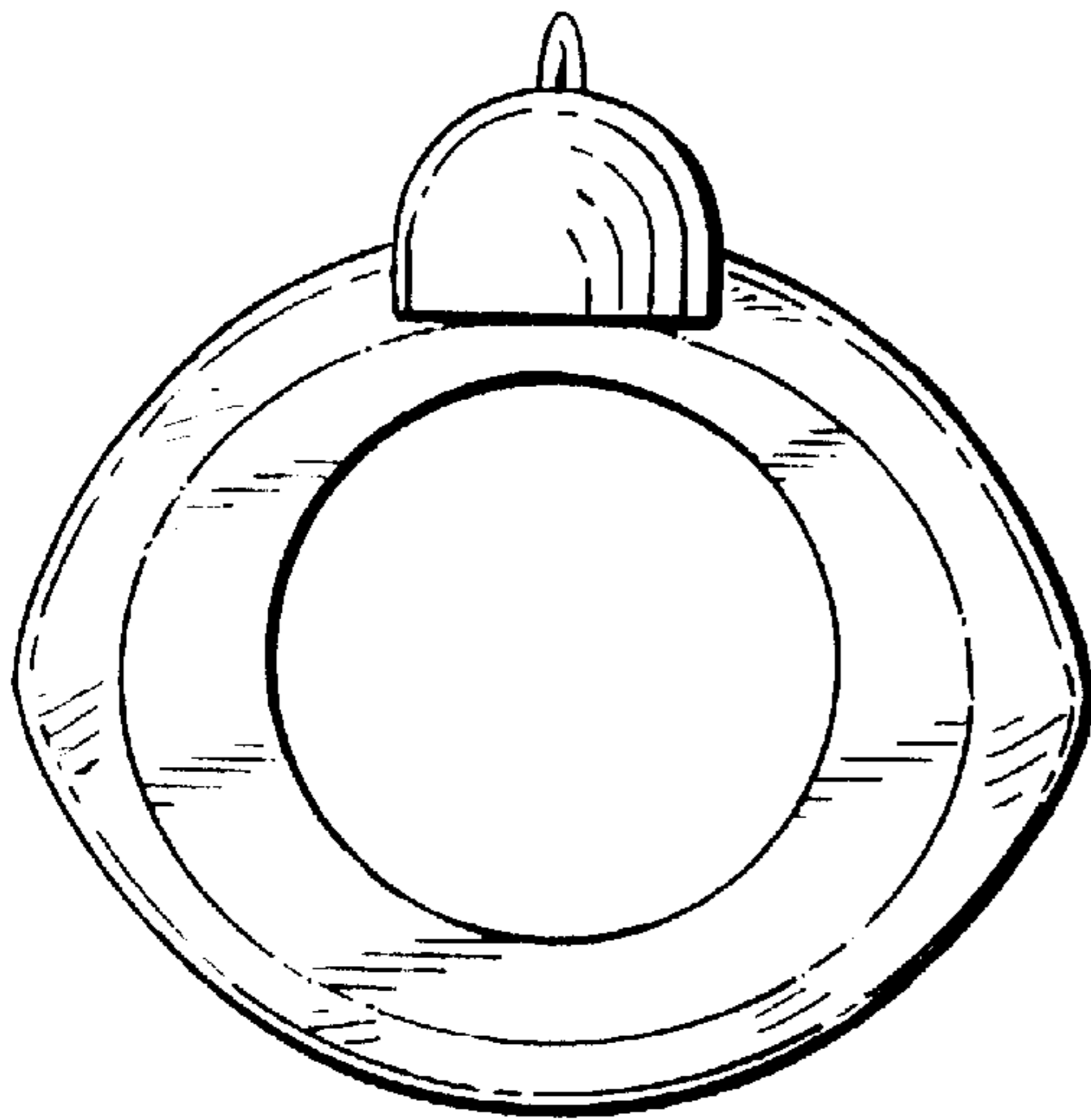
**FIG. 8**



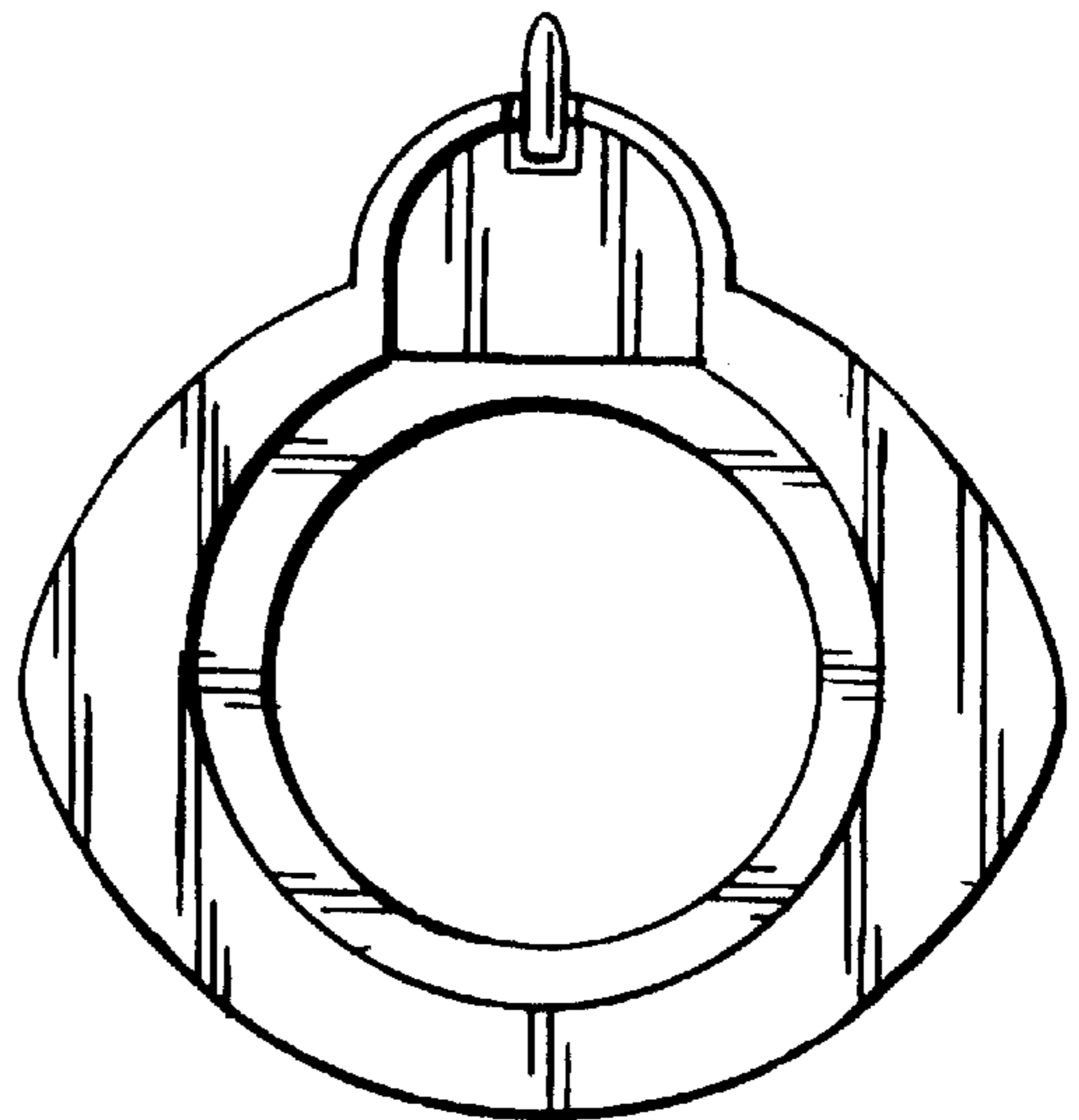
**FIG. 9**



**FIG. 10**



**FIG. 11**



**FIG. 12**