



US00D426006S

United States Patent [19]

Yuen

[11] Patent Number: Des. 426,006

[45] Date of Patent: ** May 30, 2000

[54] MULTI FUNCTION FLUORESCENT LANTERN

[75] Inventor: John Se-Kit Yuen, Kowloon, The Hong Kong Special Administrative Region of the People's Republic of China

[73] Assignee: John Manufacturing Limited, Kowloon, The Hong Kong Special Administrative Region of the People's Republic of China

[**] Term: 14 Years

[21] Appl. No.: 29/111,254

[22] Filed: Oct. 13, 1999

[51] LOC (7) Cl. 26-02

[52] U.S. Cl. D26/42

[58] Field of Search D26/37-50; 362/157, 362/158, 183-208

[56] References Cited

U.S. PATENT DOCUMENTS

- D. 290,516 6/1987 Liu D26/42
- D. 293,481 12/1987 Ohashi D26/42

- D. 335,715 5/1993 Wan D26/44
- D. 356,649 3/1995 Yuen D26/44
- D. 363,563 10/1995 Yuen D26/42
- D. 368,784 4/1996 Yuen D26/42
- D. 378,142 2/1997 Lam D26/42
- D. 383,232 9/1997 Huang D26/44

Primary Examiner—Marcus A. Jackson
Attorney, Agent, or Firm—Beall Law Offices

[57] CLAIM

The ornamental design for a “multi function fluorescent lantern,” as shown and described.

DESCRIPTION

FIG. 1 is a right side elevational view of a multi function fluorescent lantern showing my new design; FIG. 2 is a front elevational view thereof; FIG. 3 is a left side elevational view thereof; FIG. 4 is a rear side elevational view thereof; FIG. 5 is a top plan elevational view thereof; FIG. 6 is a bottom plan elevational view thereof; FIG. 7 is a right side elevational view showing spotlight and handle in alternative positions thereof; and, FIG. 8 is a right side elevational view showing handle in an alternative position thereof.

1 Claim, 3 Drawing Sheets

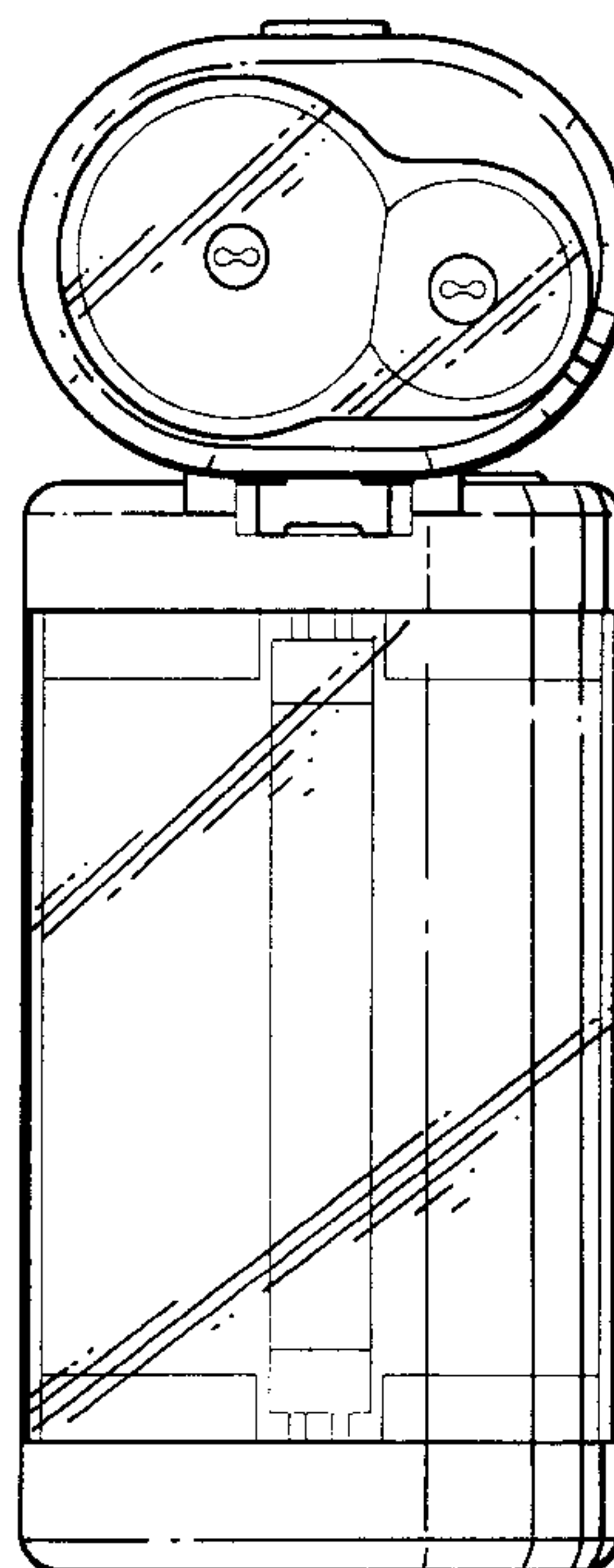
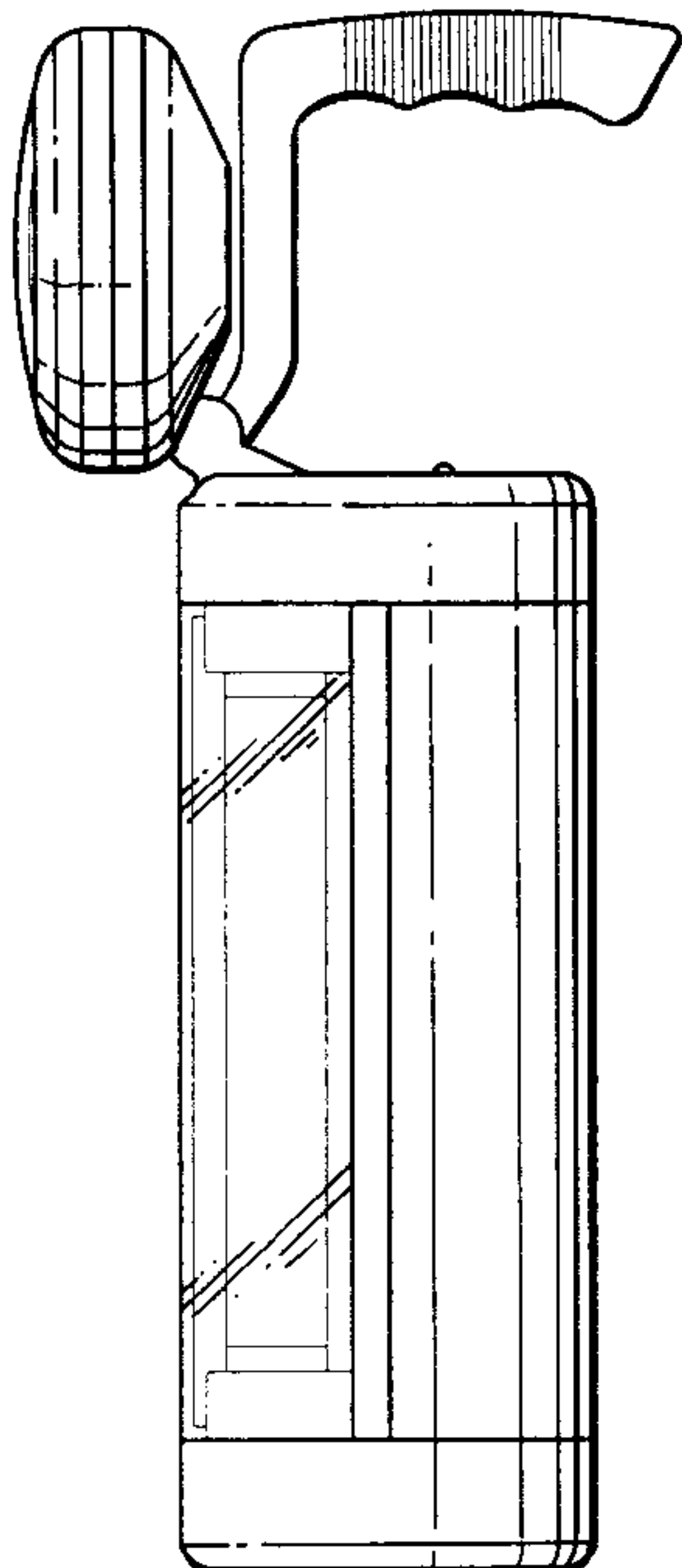


FIG. 1

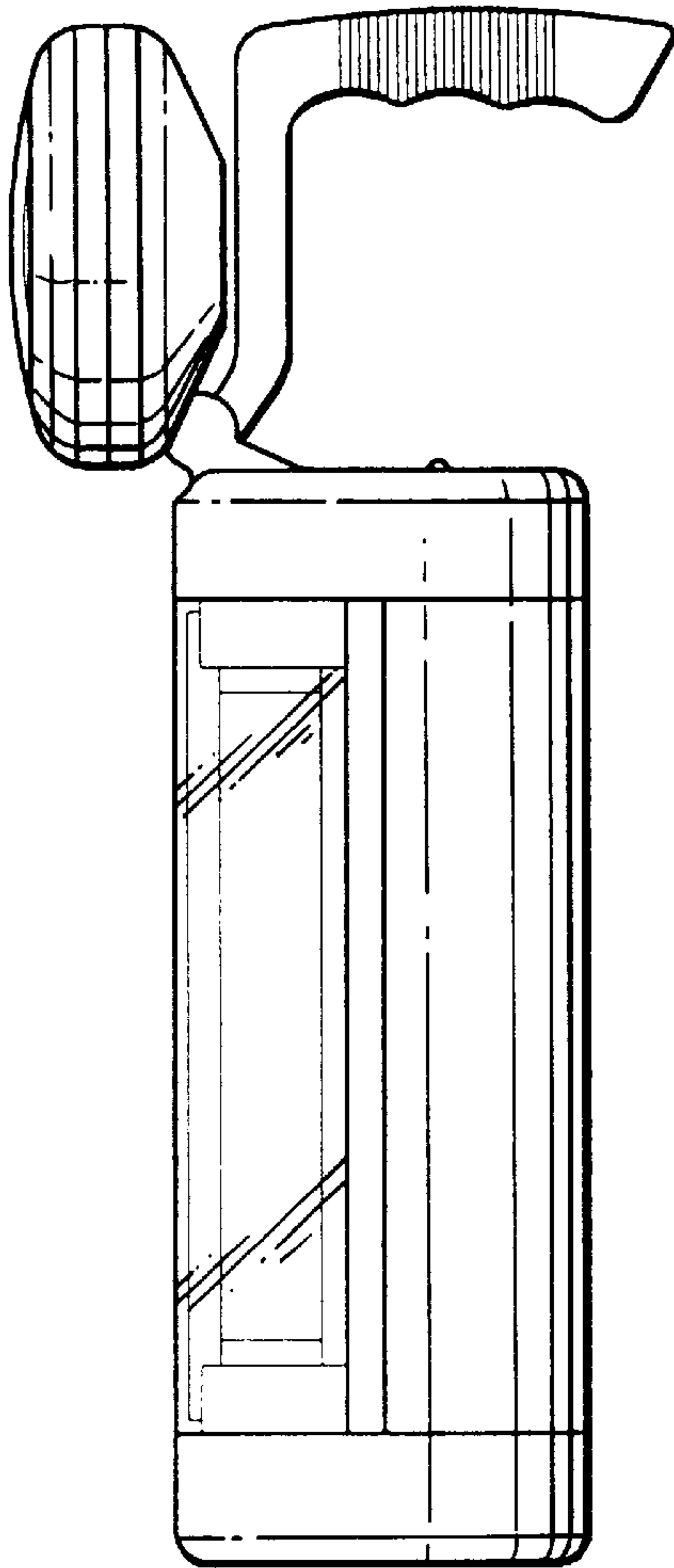


FIG. 2

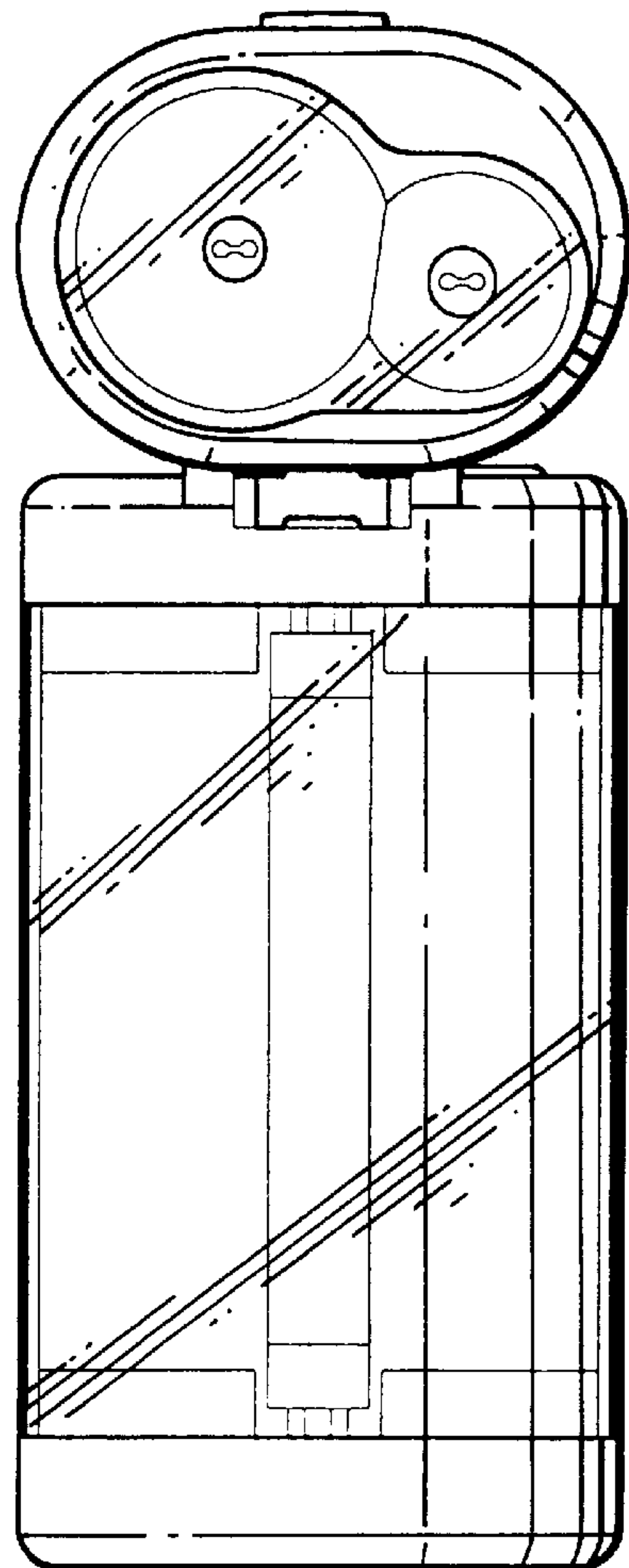


FIG. 3

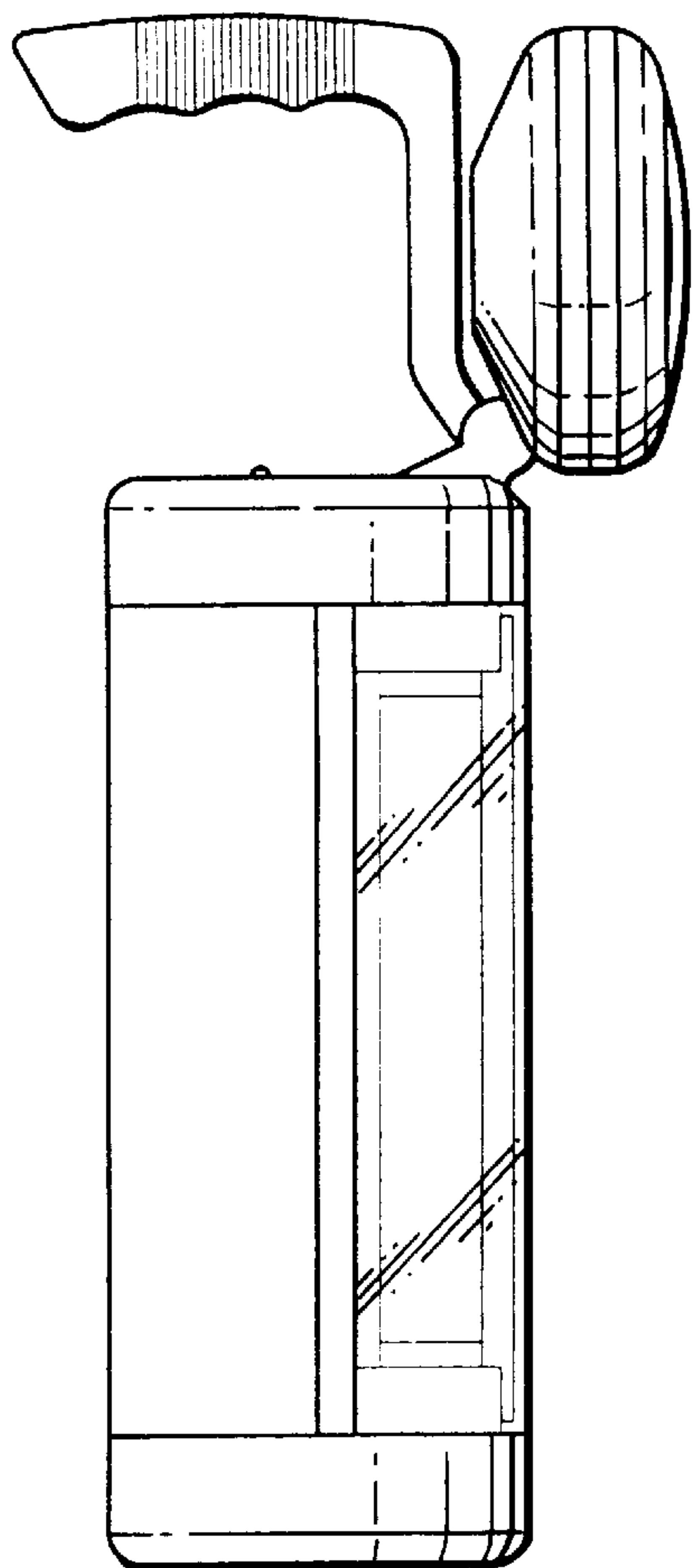


FIG. 4

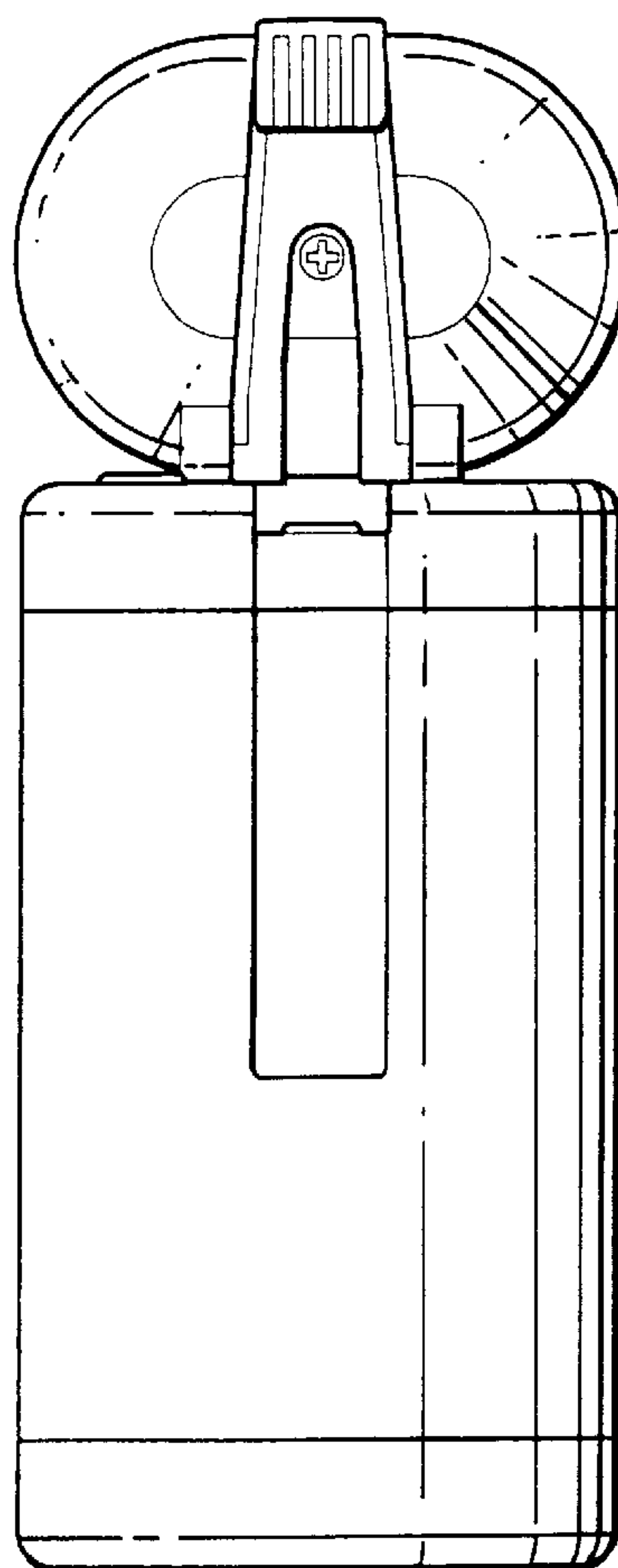


FIG. 5

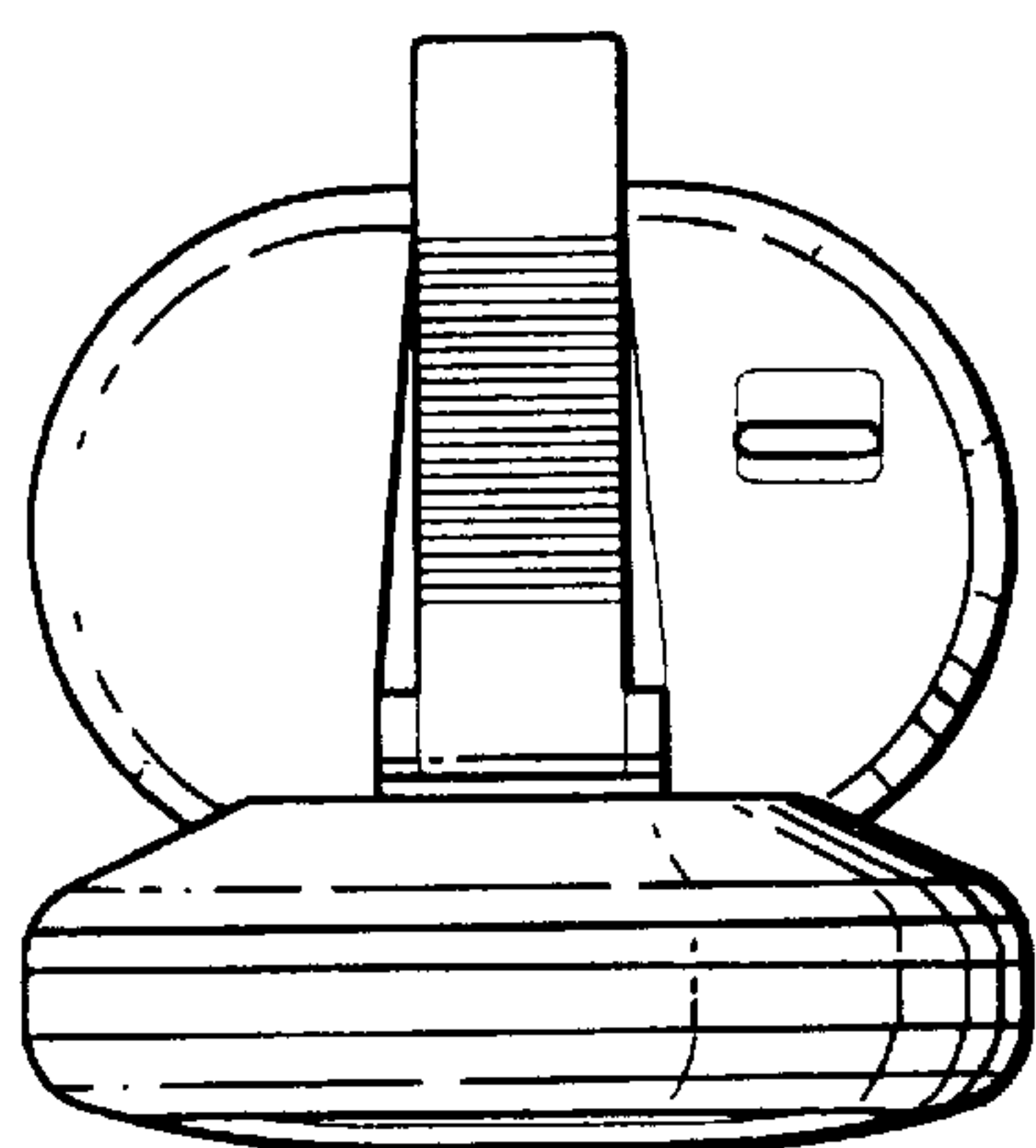


FIG. 6

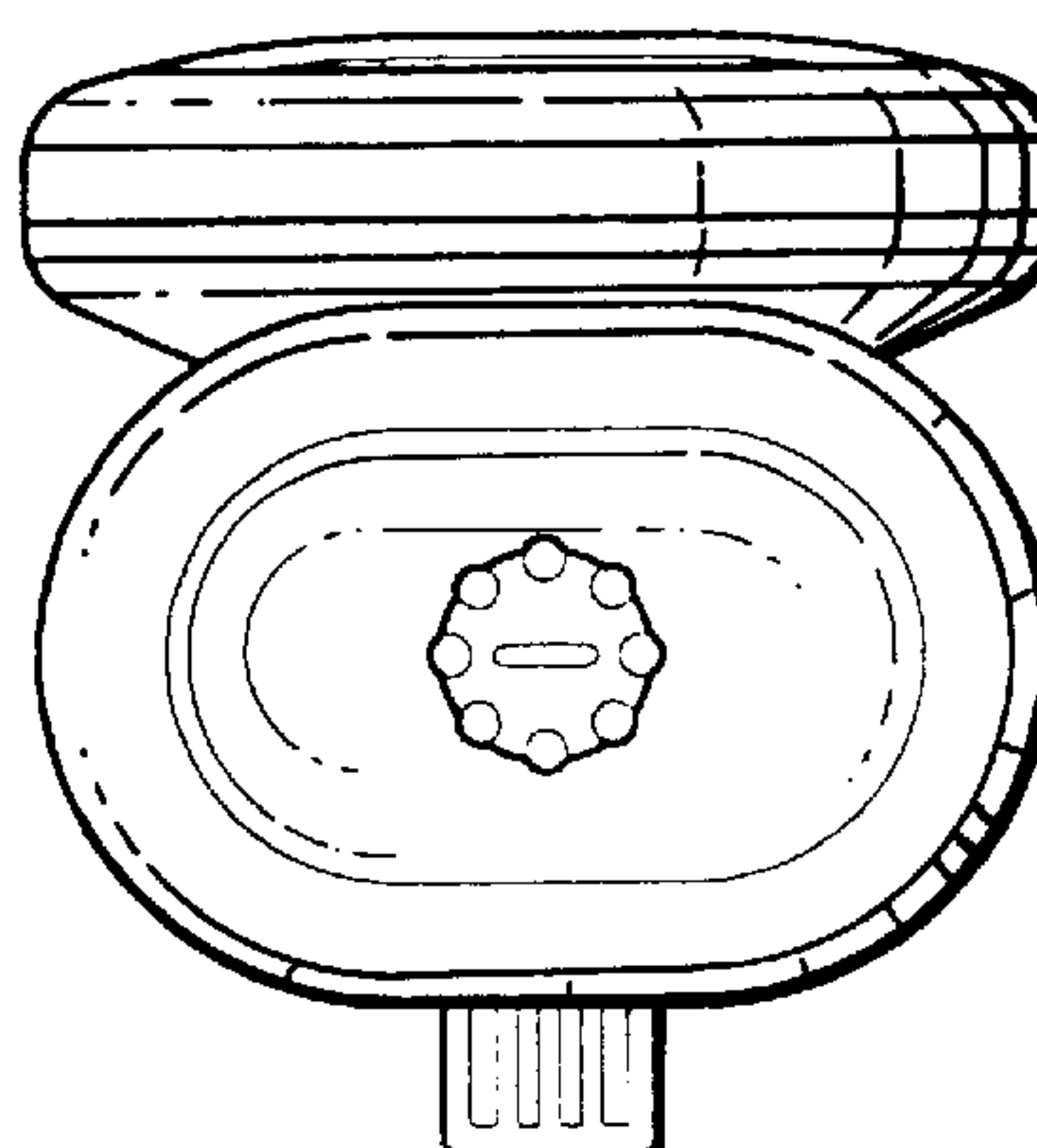


FIG. 7

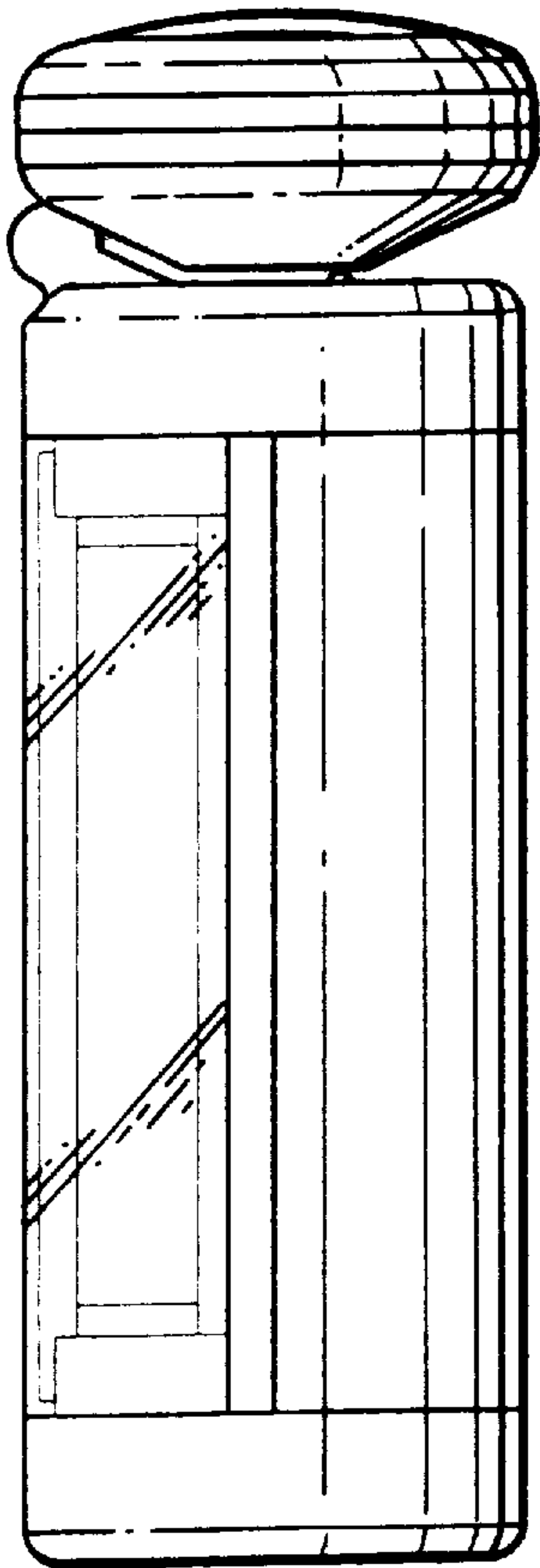


FIG. 8

