



US00D426003S

# United States Patent [19]

Neuhofer, Jr.

[11] **Patent Number: Des. 426,003**

[45] **Date of Patent: \*\* \*May 30, 2000**

[54] **PROFILE TRACK FOR FASTENING MOLDINGS TO WALLS AND FLOORS**

3,098,274 7/1963 Trafton ..... D25/199  
5,444,953 8/1995 Koenig et al. .... 52/288.1

[76] Inventor: **Franz Neuhofer, Jr.**, Haslau 56, A-4893 Zell Am Moos, Austria

*Primary Examiner*—Doris Clark  
*Attorney, Agent, or Firm*—Collard & Roe, P.C.

[\*] Notice: This patent is subject to a terminal disclaimer.

[\*\*] Term: **14 Years**

## [57] CLAIM

The ornamental design for a profile track for fastening moldings to walls and floors, as shown and described.

[21] Appl. No.: **29/095,262**

## DESCRIPTION

[22] Filed: **Oct. 20, 1998**

### [30] Foreign Application Priority Data

Apr. 20, 1998 [AT] Austria ..... MU 1716/98

[51] **LOC (7) Cl.** ..... **25-99**

[52] **U.S. Cl.** ..... **D25/199**

[58] **Field of Search** ..... 52/288.1, 282.4;  
D8/349, 382, 394, 384; D25/164, 199,  
136

FIG. 1 shows a perspective view of my design for a profile track for fastening molding to walls and floors;

FIG. 2 shows a left side view thereof;

FIG. 3 shows a right side view thereof;

FIG. 4 shows a front view thereof;

FIG. 5 shows a rear view thereof;

FIG. 6 shows a top view thereof; and,

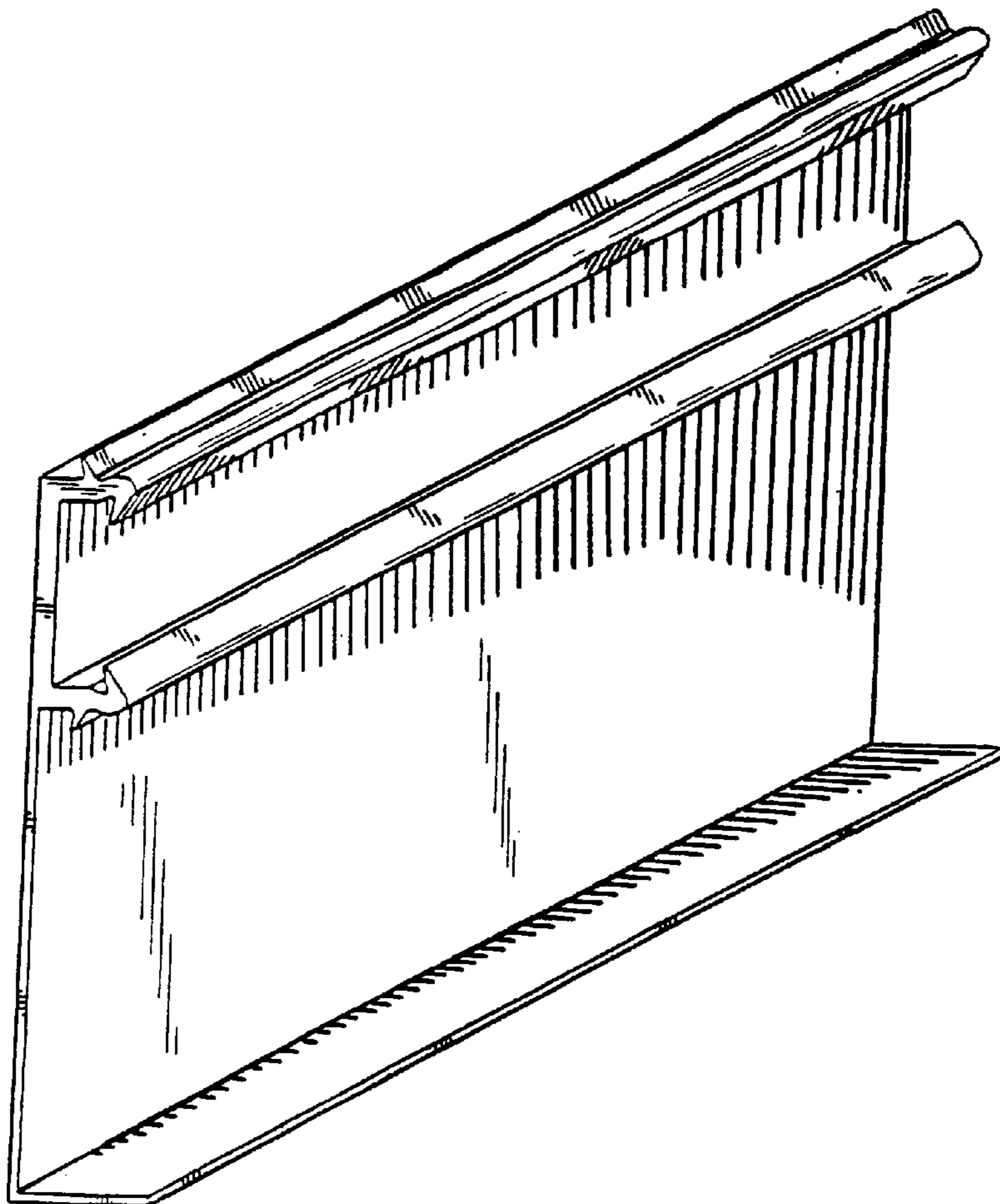
FIG. 7 shows a bottom view thereof.

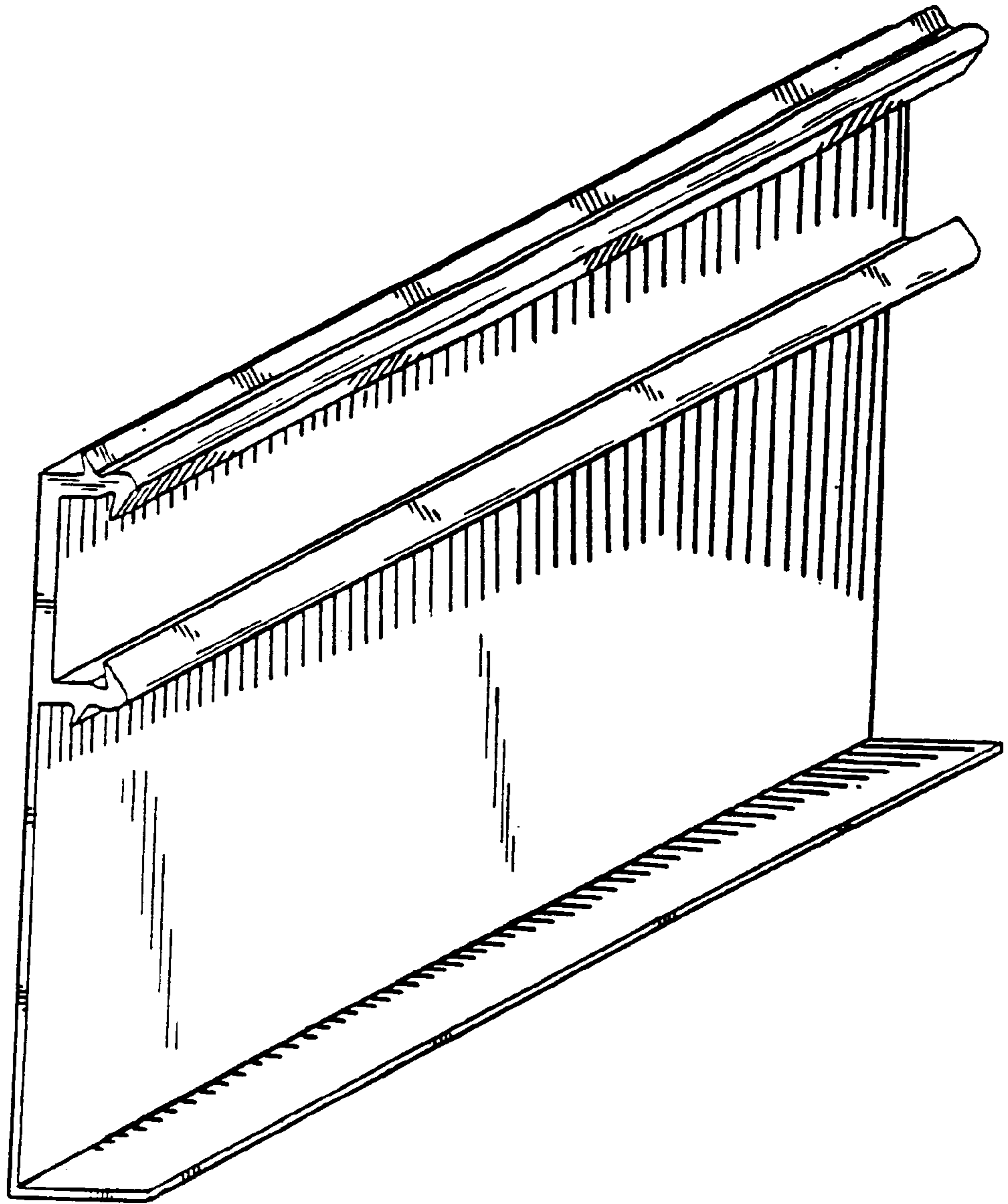
### [56] References Cited

#### U.S. PATENT DOCUMENTS

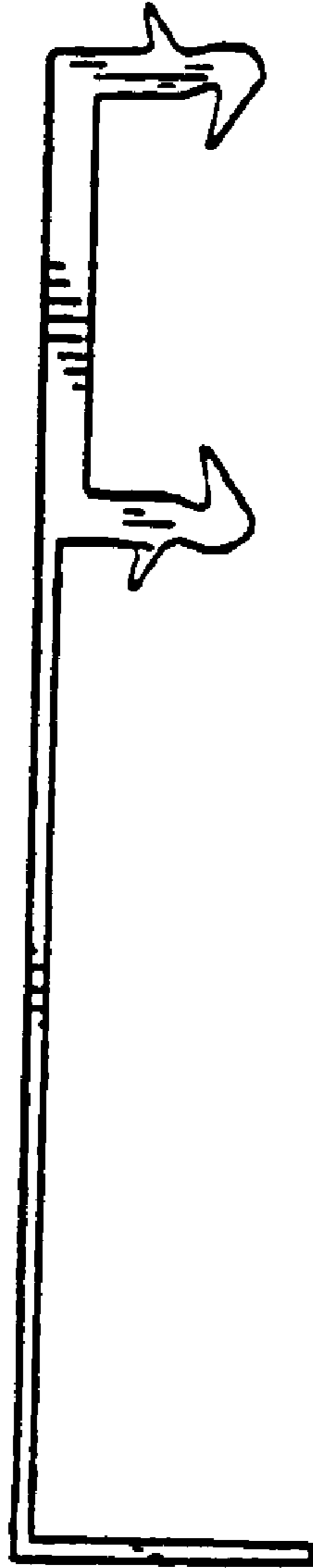
D. 356,645 3/1995 Boer ..... D25/199

**1 Claim, 5 Drawing Sheets**





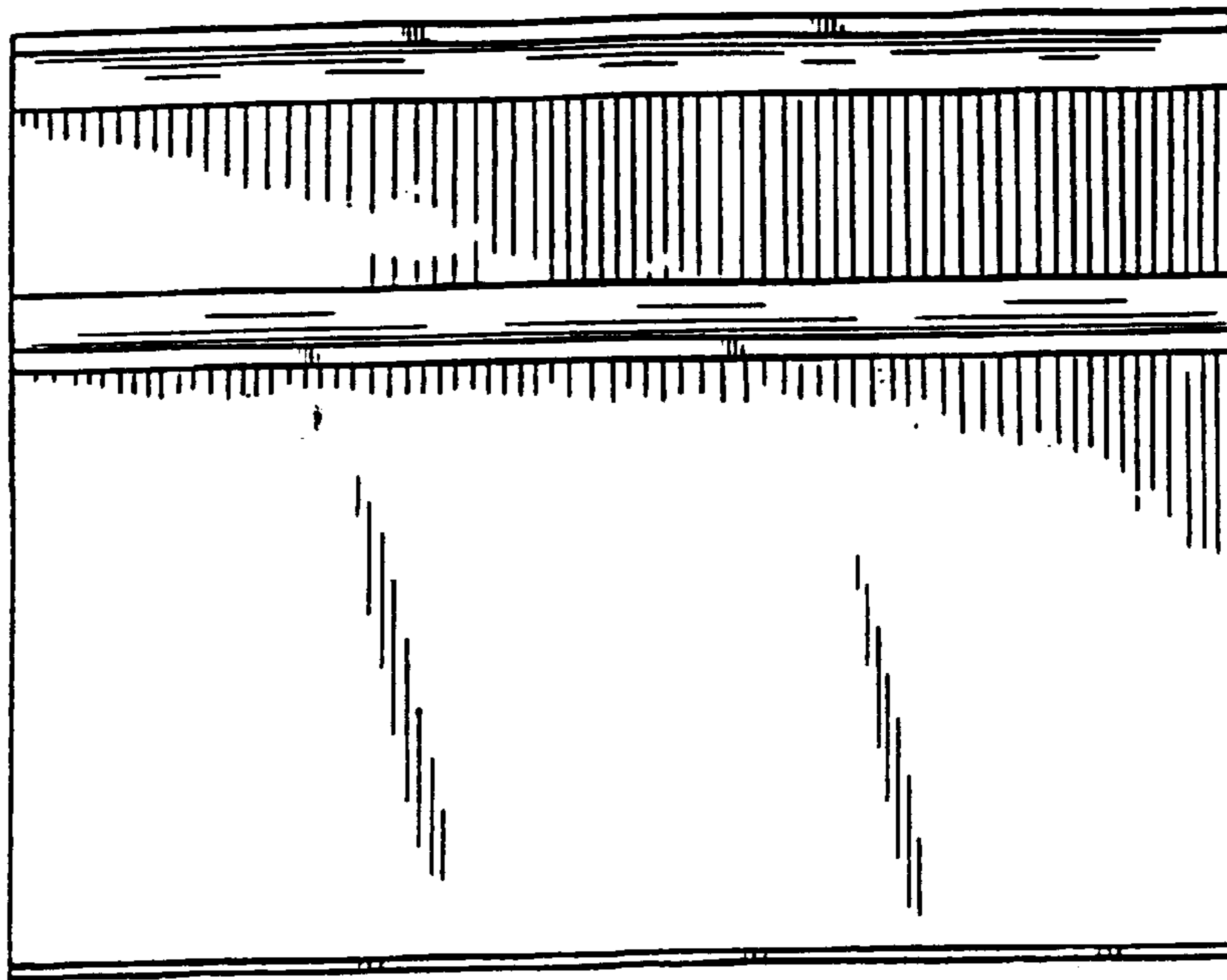
**FIG. 1**



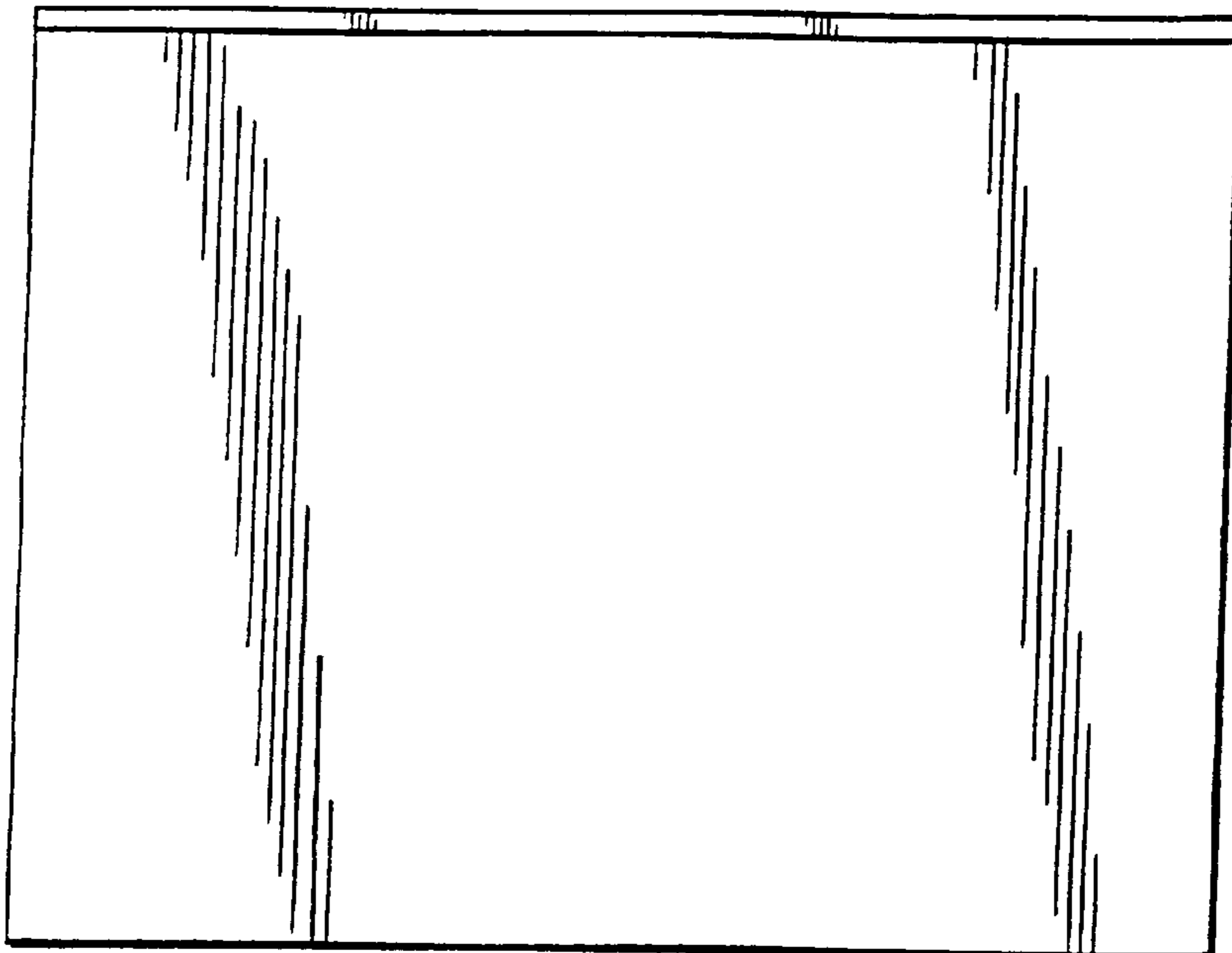
**FIG. 2**



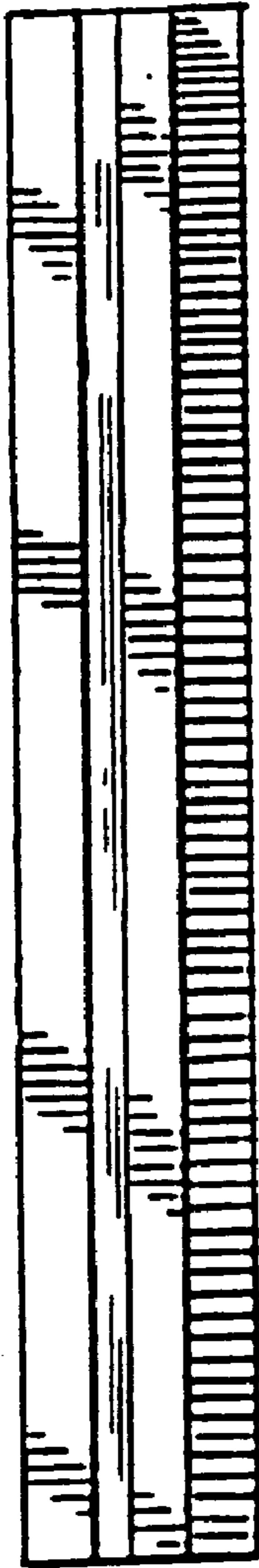
**FIG. 3**



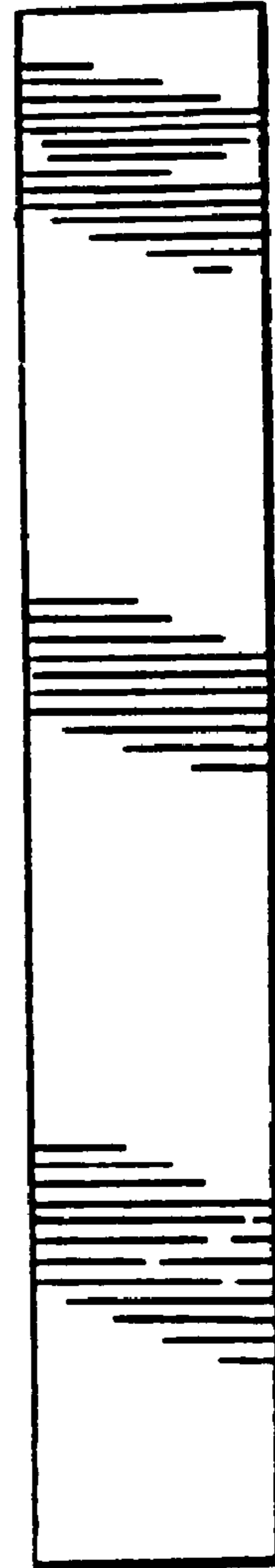
**FIG. 4**



**FIG. 5**



**FIG. 6**



**FIG. 7**