



US00D425998S

United States Patent [19]

[11] Patent Number: **Des. 425,998**

Ullrich et al.

[45] Date of Patent: **** May 30, 2000**

[54] **ROUND ARCHED FINIAL**

[57] **CLAIM**

[75] Inventors: **William G. Ullrich**, Annapolis; **John R. Regal**, Owings Mills; **Kyle E. Grube**, Bel Air; **James W. Scheide**, Timonium, all of Md.

The ornamental design for a round arched finial, as shown and described.

[73] Assignee: **Master-Halco, Inc.**, La Habra, Calif.

DESCRIPTION

[**] Term: **14 Years**

FIG. 1 is a perspective view of a round arched finial of the present invention;

[21] Appl. No.: **29/095,313**

FIG. 2 is a reduced perspective view of the invention shown in FIG. 1, illustrating the round arched finial connected to a fence;

[22] Filed: **Oct. 20, 1998**

FIG. 3 is a front elevational view of the invention shown in FIG. 1;

[51] **LOC (7) Cl.** **25-02**

FIG. 4 is a right side elevational view of the invention shown in FIG. 1;

[52] **U.S. Cl.** **D25/35**

FIG. 5 is a top plan view of the invention shown in FIG. 1; FIG. 6 is a bottom plan view of the invention shown in FIG. 1;

[58] **Field of Search** 52/57; D25/199, D25/1, 55, 35; 256/11

FIG. 7 is a back elevational view of the invention shown in FIG. 1;

[56] **References Cited**

U.S. PATENT DOCUMENTS

D. 34,248	3/1901	Reynolds	D25/35
1,414,493	5/1922	Albert	52/57
4,193,583	3/1980	Witt	256/11

FIG. 8 is a left side elevational view of the invention shown in FIG. 1;

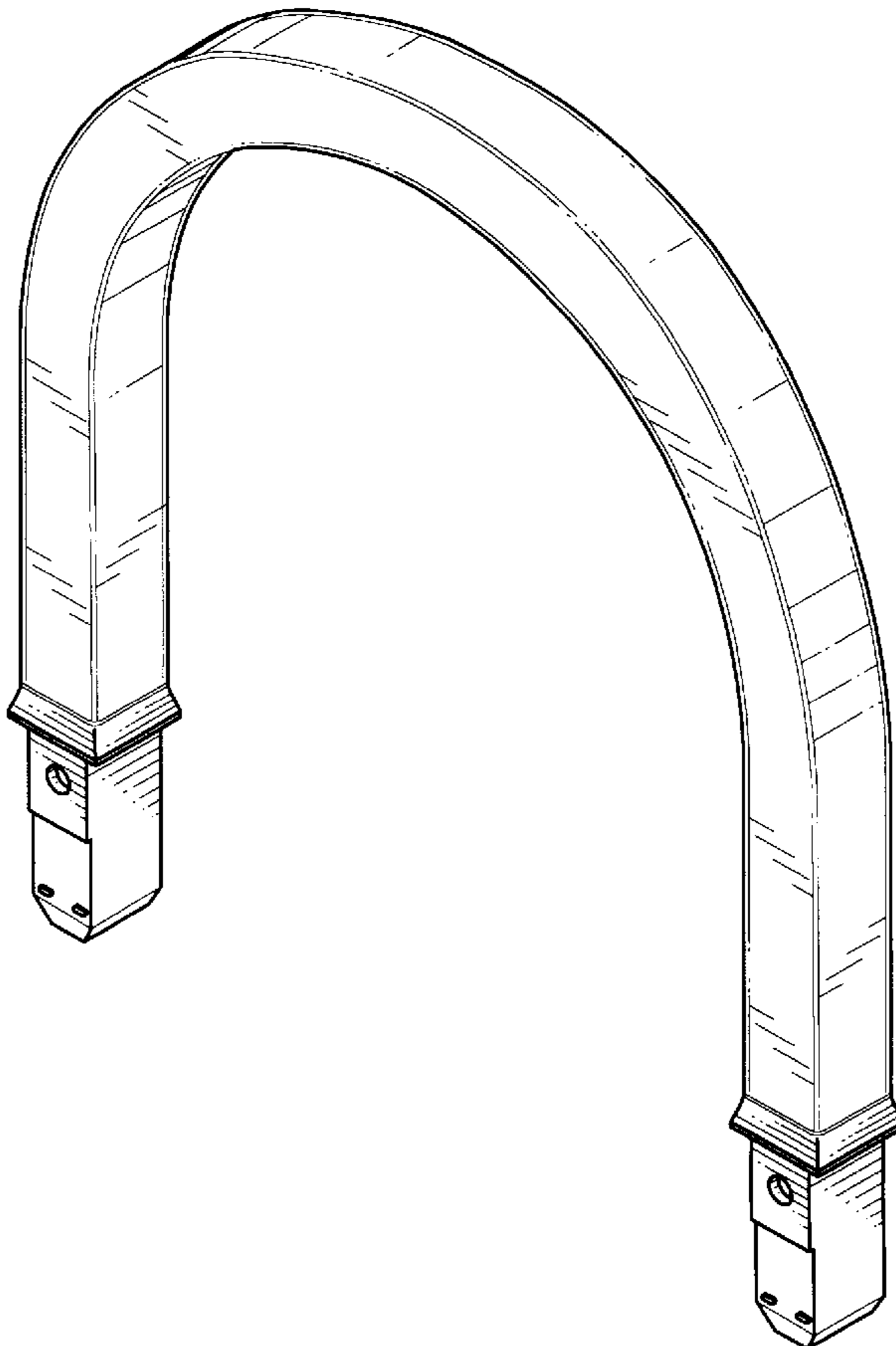
Primary Examiner—Doris Clark
Attorney, Agent, or Firm—Knobbe, Martens, Olson & Bear, LLP

FIG. 9 is a cross sectional view along lines 9—9 of the invention shown in FIG. 7; and,

FIG. 10 is a partial cross sectional view along lines 10—10 of the invention shown in FIG. 7.

The broken lines are for illustrative purposes only and form no part of the claimed design.

1 Claim, 4 Drawing Sheets



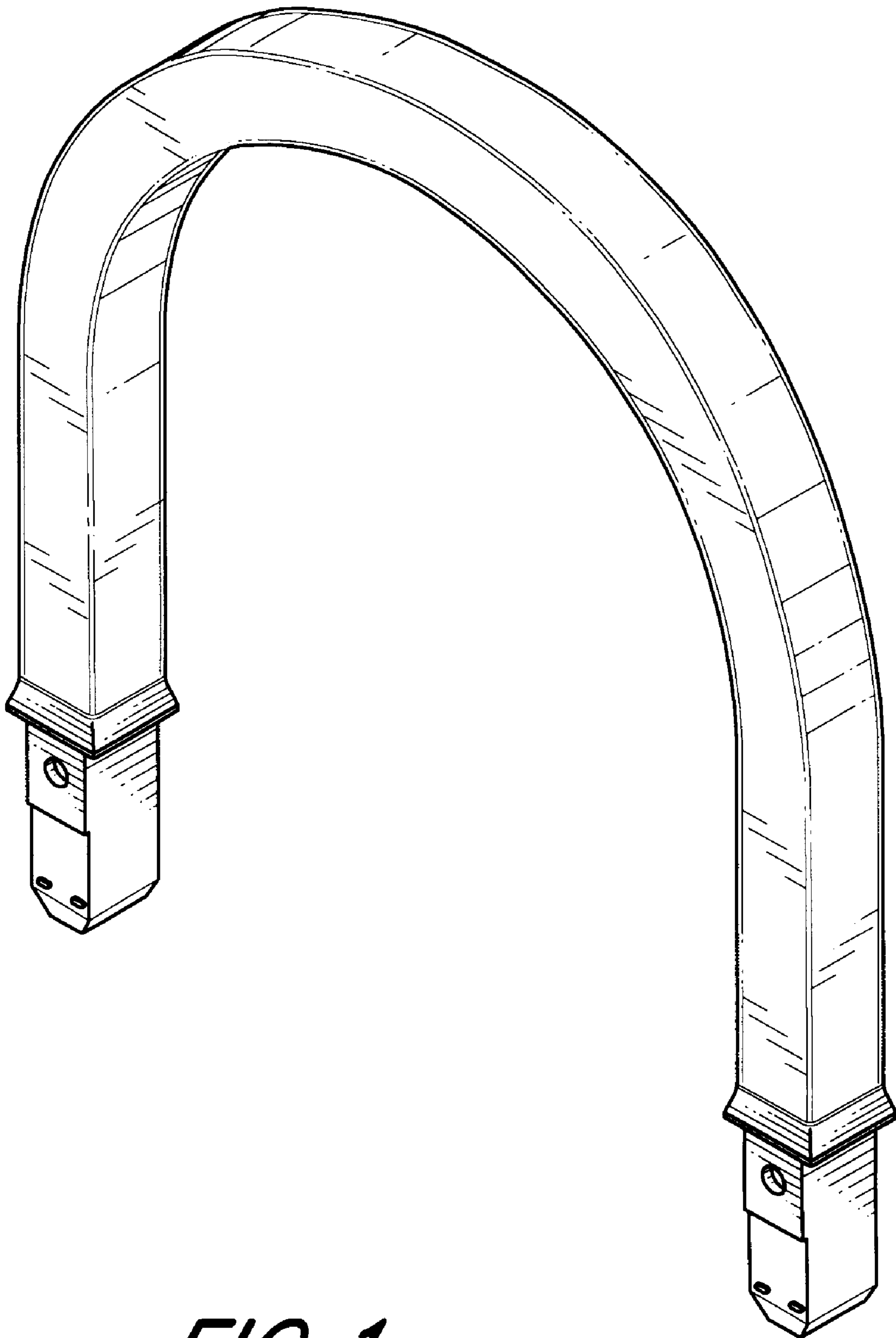


FIG. 1

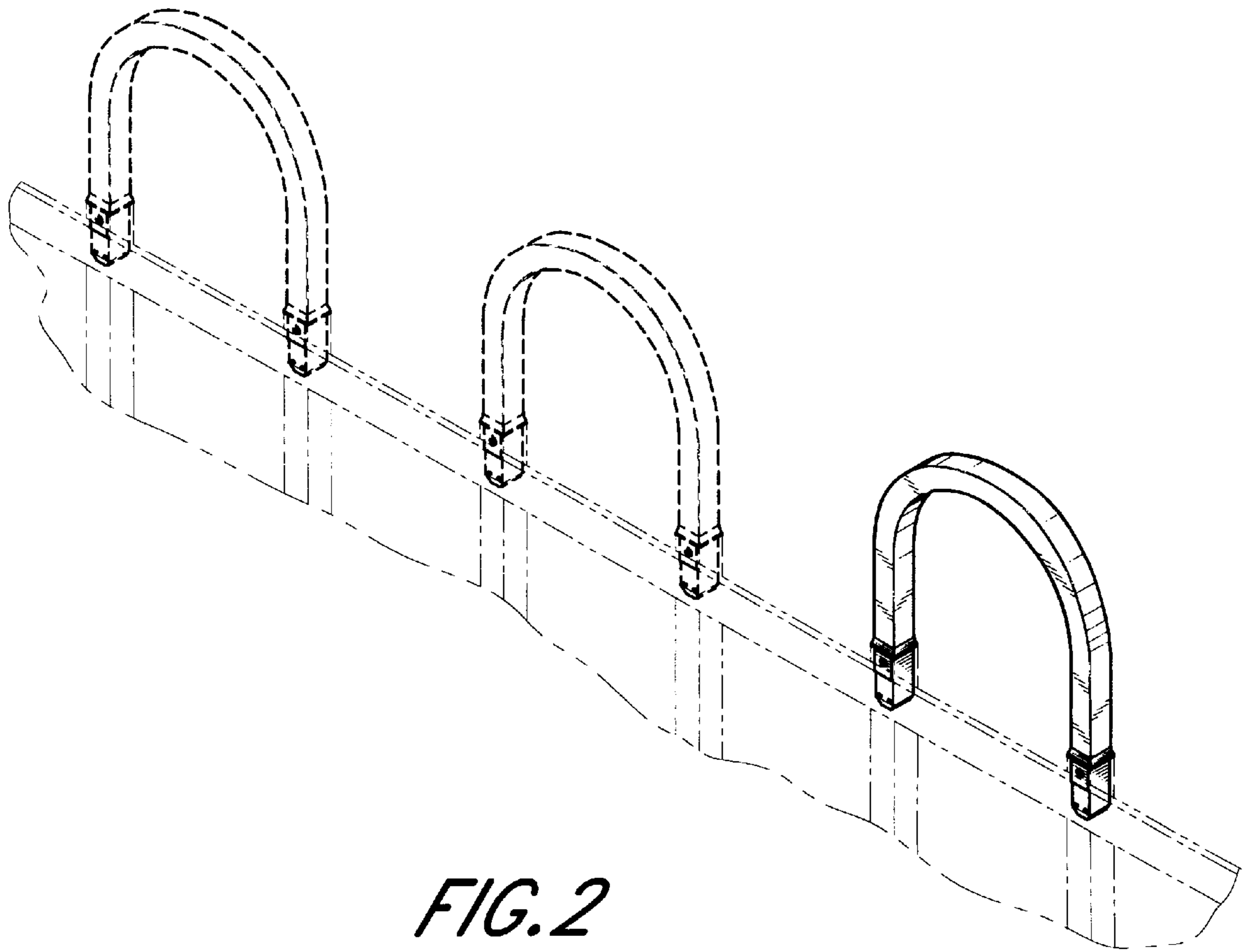


FIG. 2

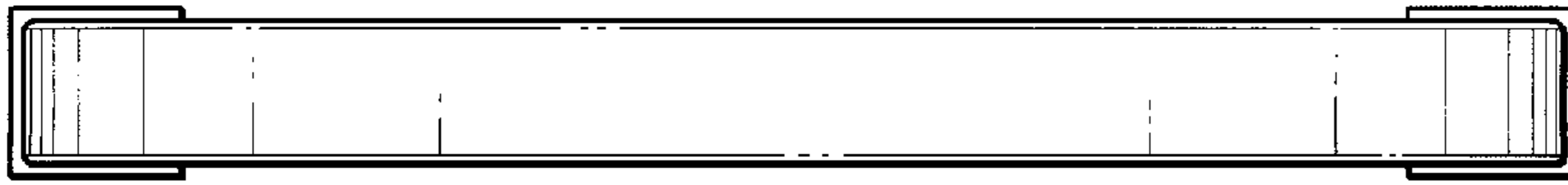


FIG. 5

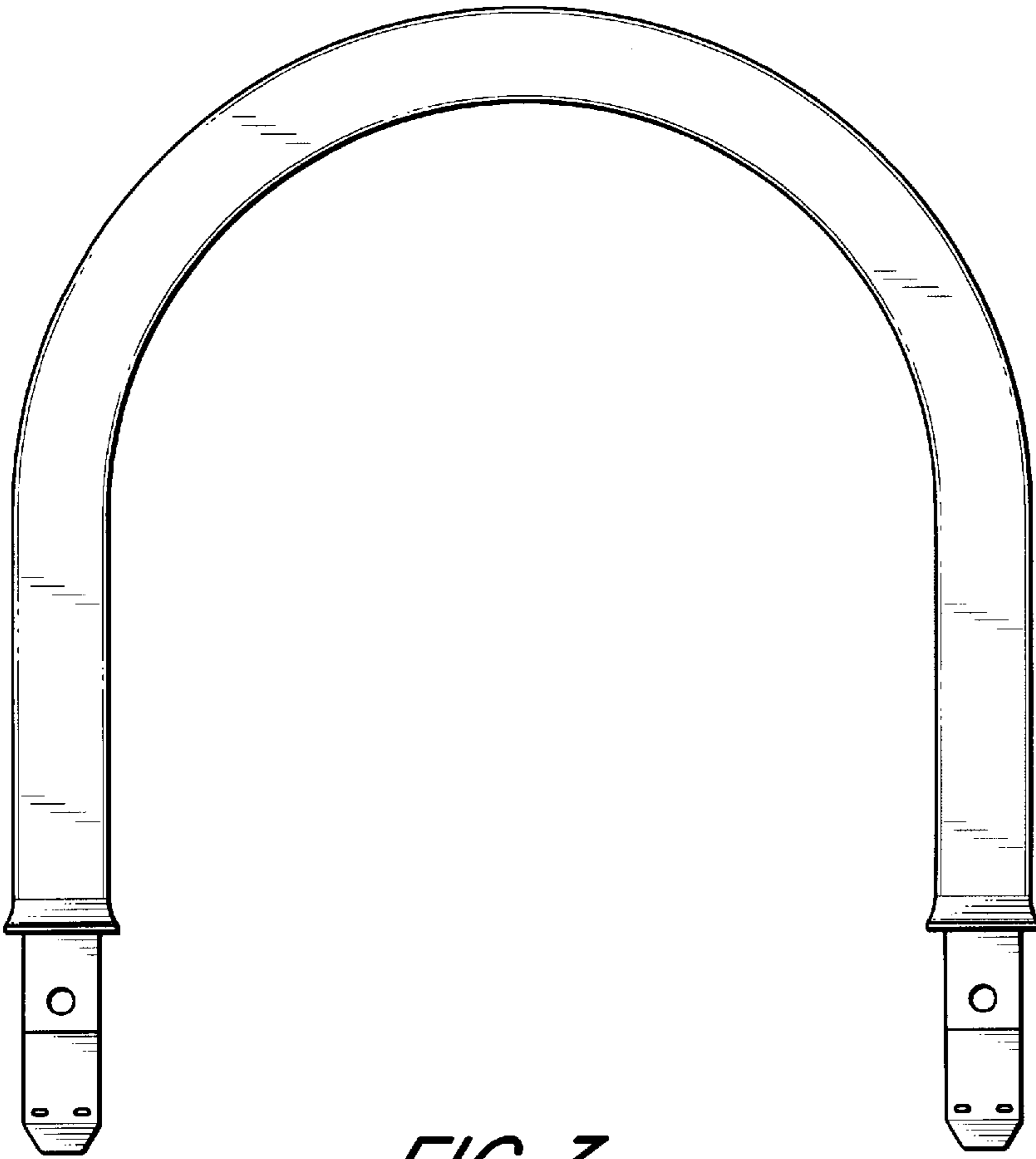


FIG. 3

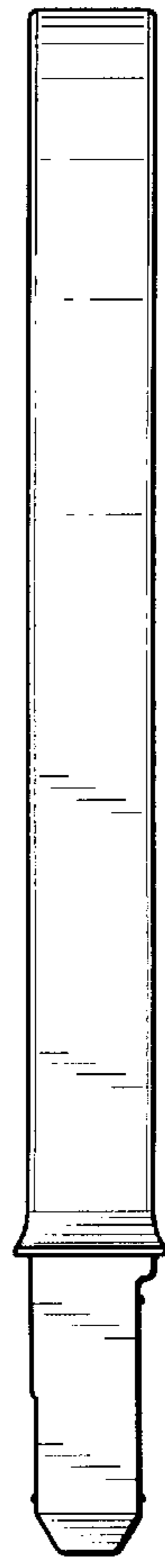


FIG. 4

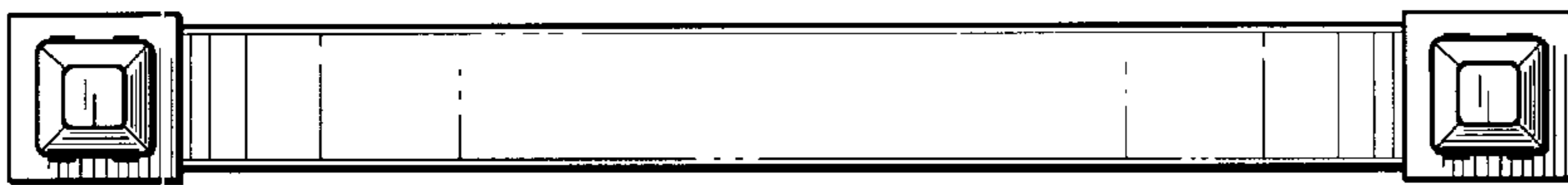


FIG. 6

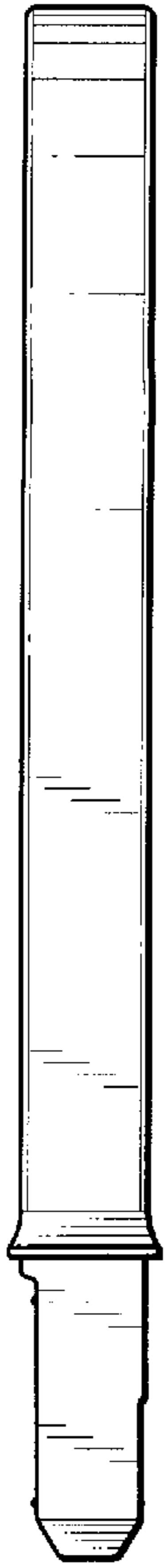


FIG. 8

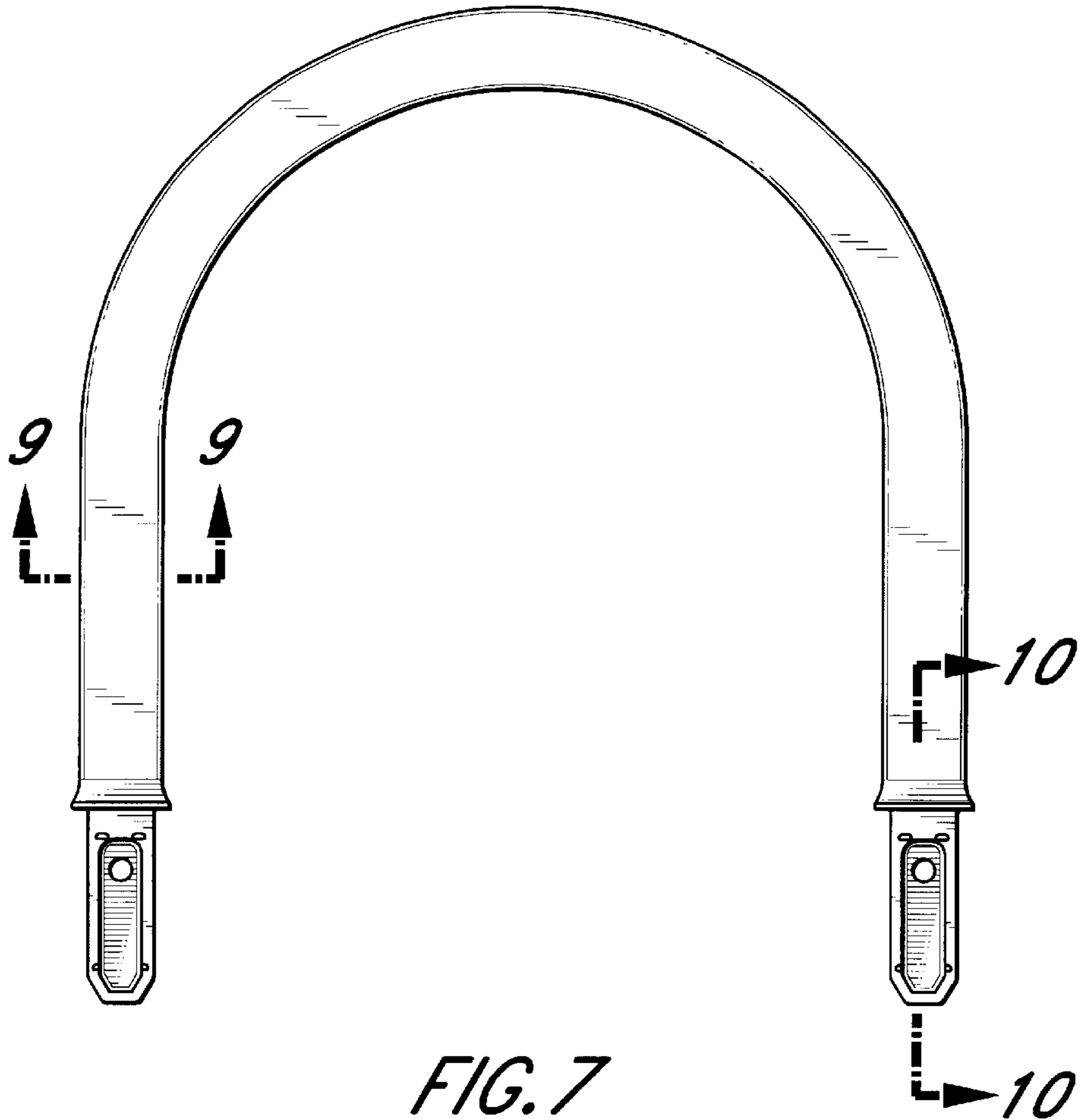


FIG. 7



FIG. 9

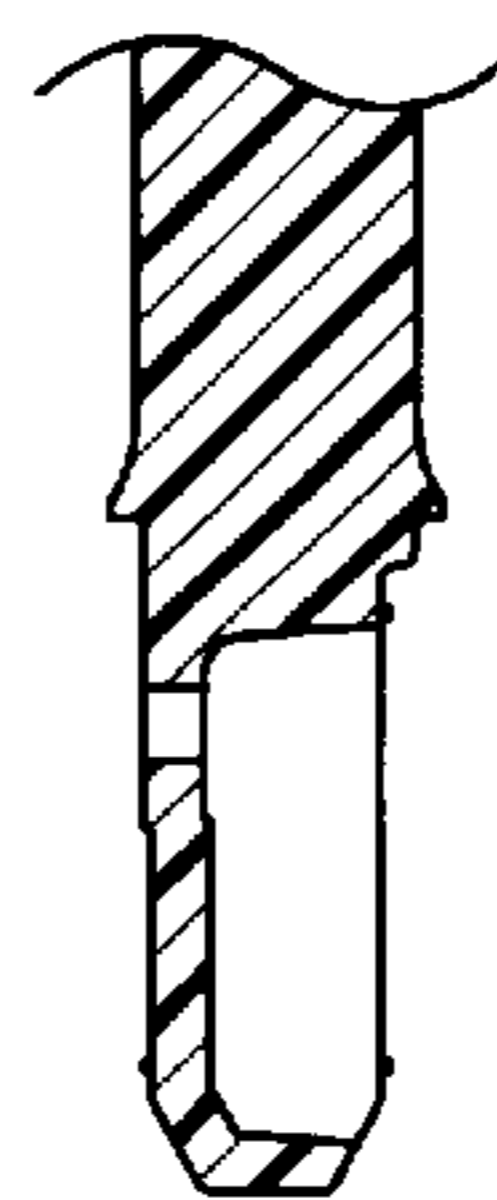


FIG. 10