



US00D425995S

# United States Patent [19]

[11] **Patent Number: Des. 425,995**

**Tobin et al.**

[45] **Date of Patent: \*\* May 30, 2000**

[54] **BATHTUB SPA**

4,957,101 9/1990 Hara ..... 4/541.3  
5,195,511 3/1993 Kodata et al. .... 601/167

[75] Inventors: **Richard N. Tobin**, Stamford; **Chad E. Aulwes**, East Norwalk, both of Conn.

*Primary Examiner*—Stella Reid  
*Attorney, Agent, or Firm*—Ohlandt, Greeley, Ruggiero & Perle

[73] Assignee: **Conair Corporation**, Stamford, Conn.

[\*\*] Term: **14 Years**

### [57] CLAIM

[21] Appl. No.: **29/092,792**

We claim the ornamental design for a bathtub spa, as shown and described.

[22] Filed: **Aug. 26, 1998**

### DESCRIPTION

[51] **LOC (7) Cl.** ..... **24-04**

[52] **U.S. Cl.** ..... **D24/201**

[58] **Field of Search** ..... D24/200, 201,  
D24/204; 601/167; 4/541.1–541.6

FIG. 1 is a front and right side perspective view of a bathtub spa showing our new design;  
FIG. 2 is a front end elevational view of the bathtub spa of FIG. 1;  
FIG. 3 is a right side elevational view of the bathtub spa of FIG. 1;  
FIG. 4 is a left side elevational view of the bathtub spa of FIG. 1;  
FIG. 5 is a rear end elevational view of the bathtub spa of FIG. 1.  
FIG. 6 is a top plan view of the bathtub spa of FIG. 1; and,  
FIG. 7 is a bottom plan view of the bathtub spa of FIG. 1.

### [56] References Cited

#### U.S. PATENT DOCUMENTS

D. 225,471	12/1972	McNair	.....	D24/201
D. 240,560	7/1976	Talge et al.	.....	D24/201
D. 243,040	1/1977	Grube	.....	D24/201
D. 311,250	10/1990	Yamasaki	.....	D24/201
3,846,848	11/1974	McNair	.....	601/167 X
4,127,117	11/1978	Peterson, Jr.	.....	601/167
4,924,535	5/1990	Yamasaki	.....	4/541.4

**1 Claim, 6 Drawing Sheets**

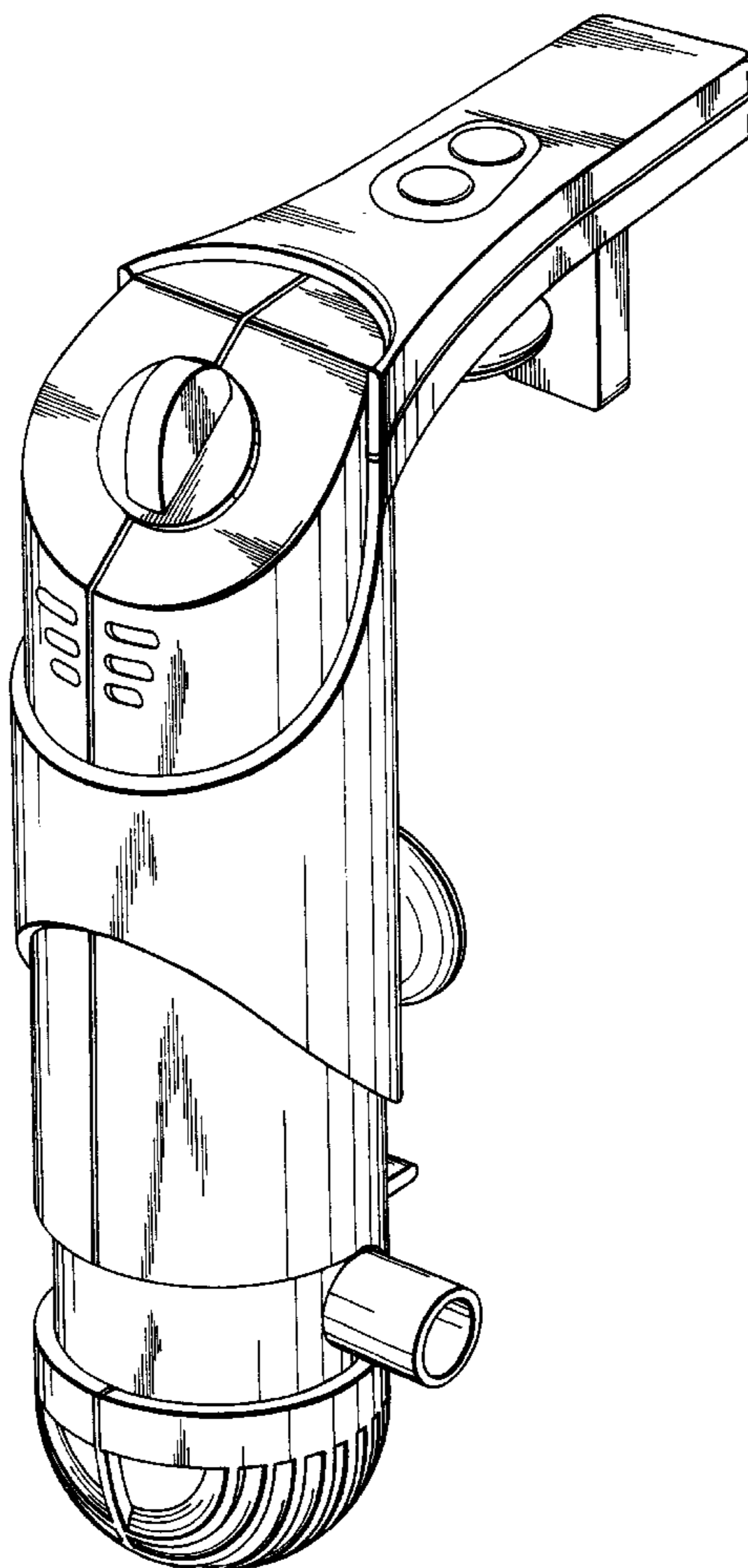


FIG. 1.

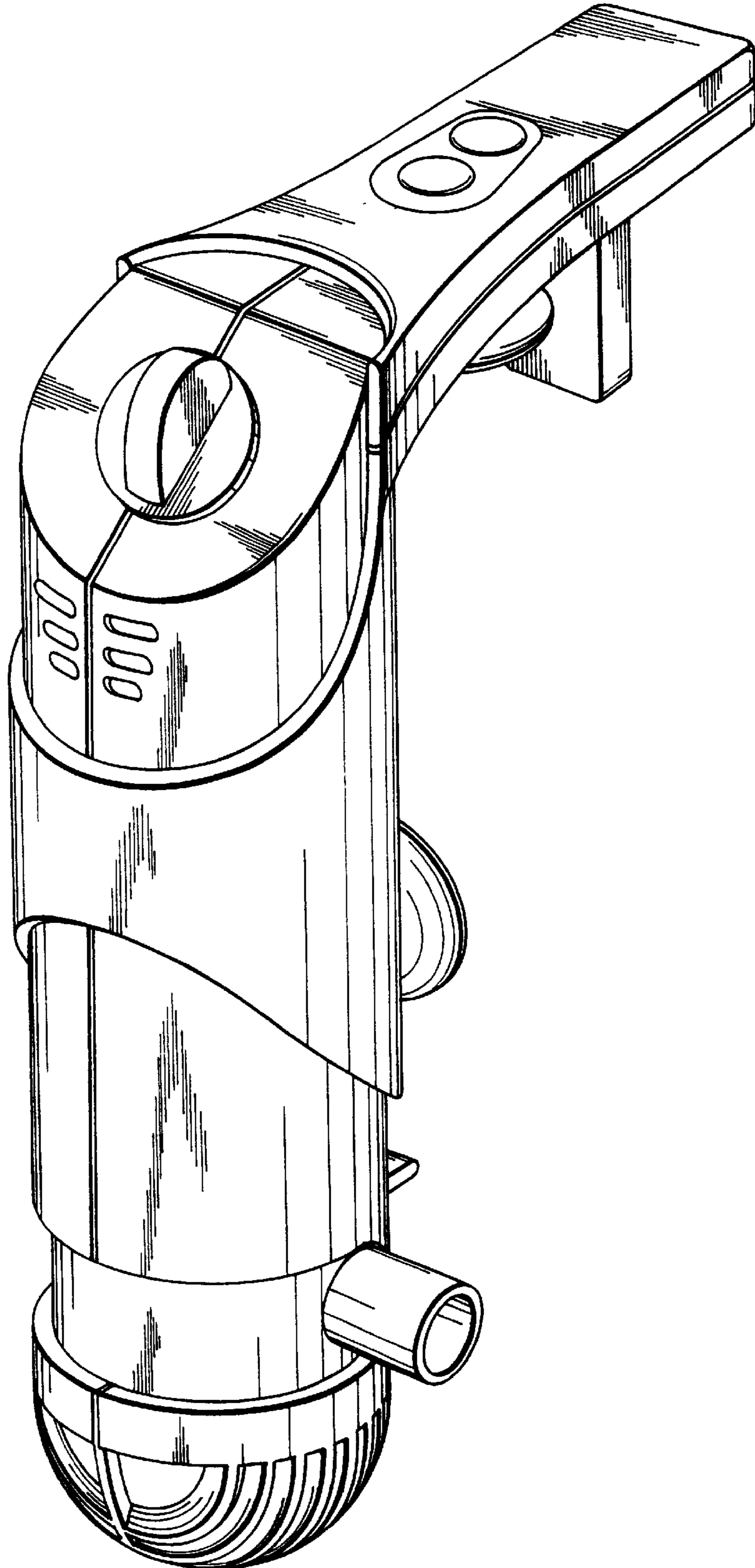


FIG. 2.

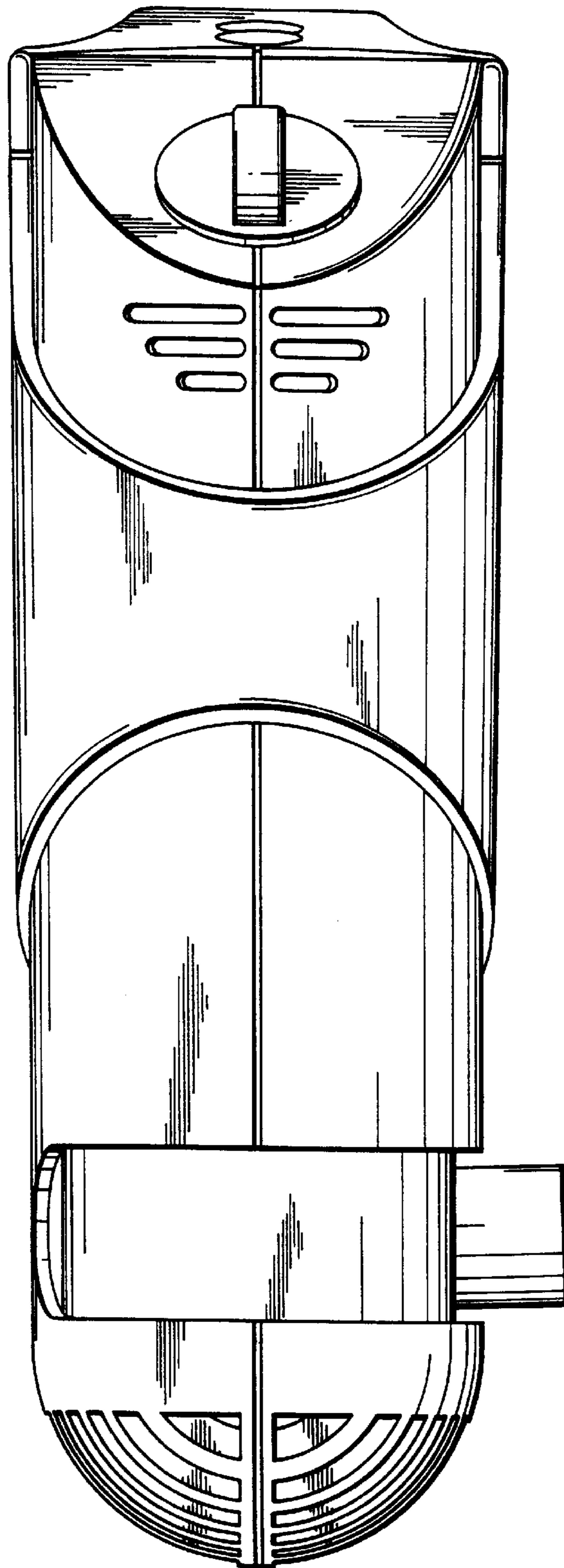


FIG. 3.

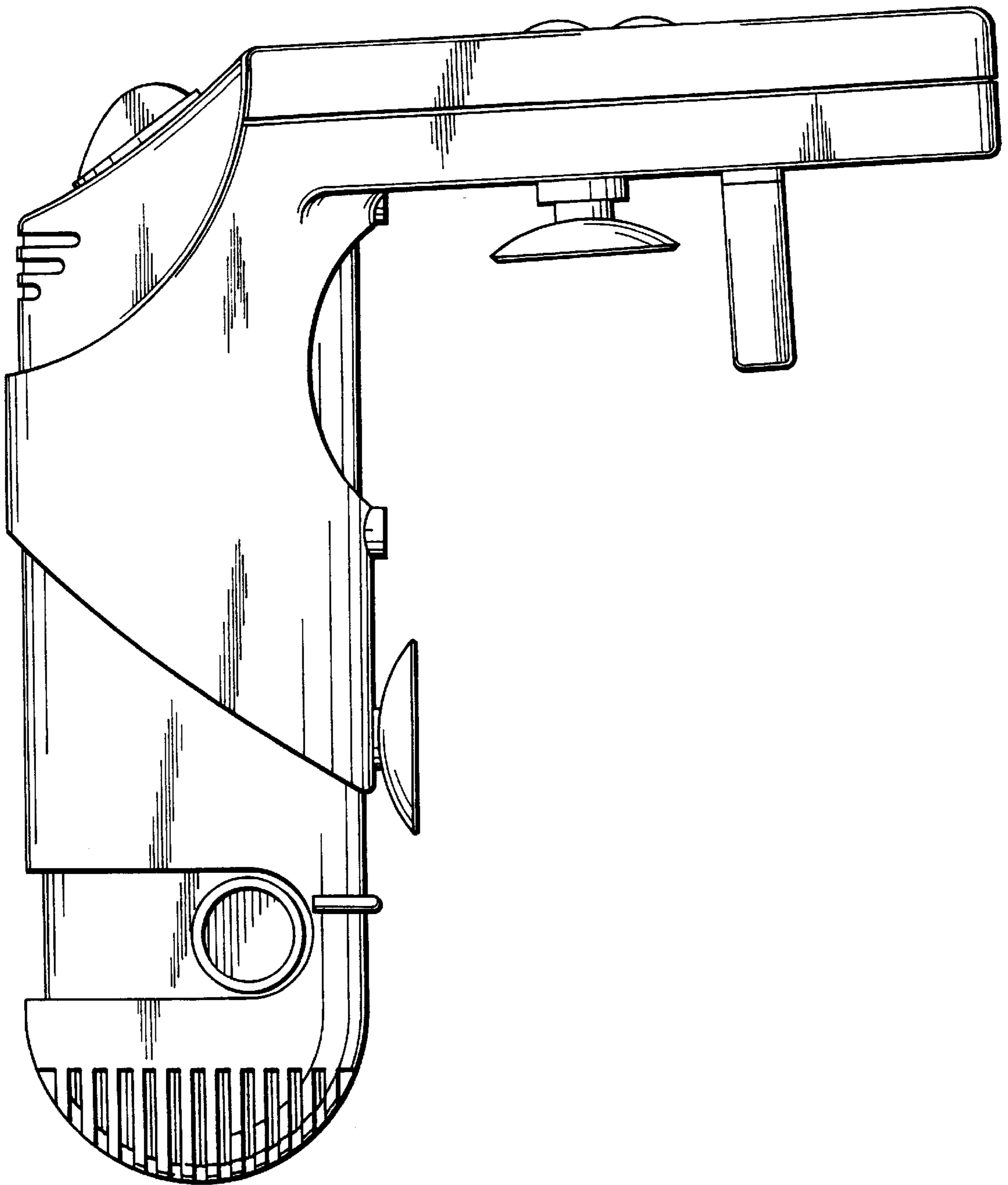


FIG. 4.

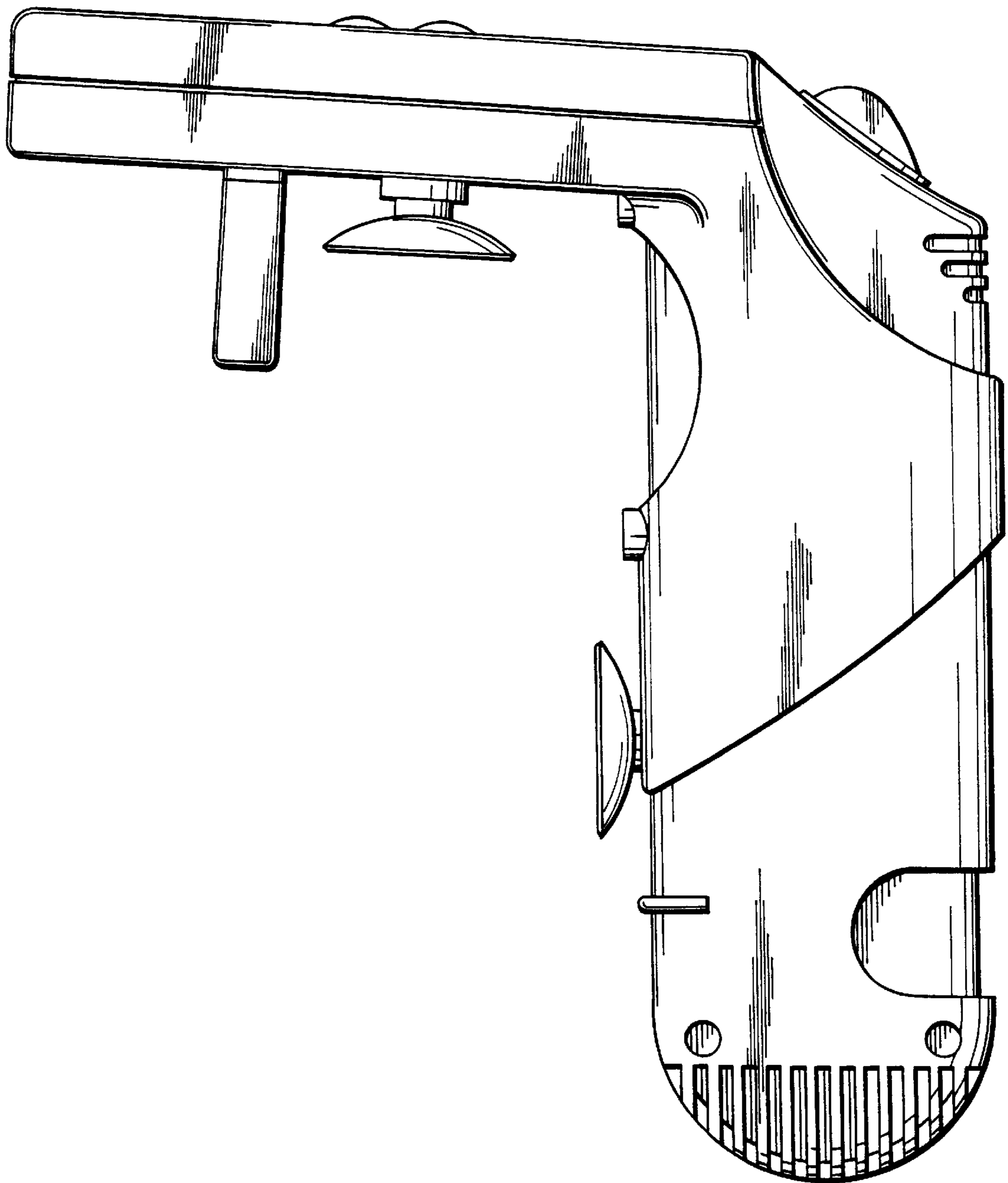


FIG. 5.

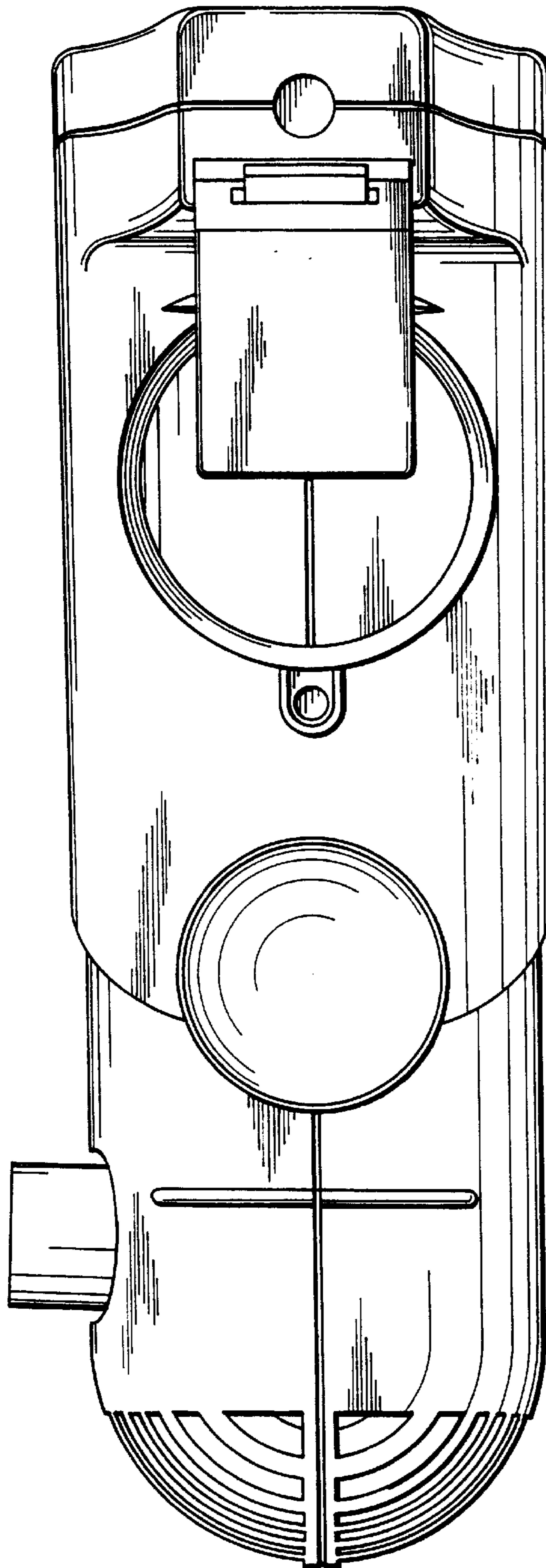


FIG. 6.

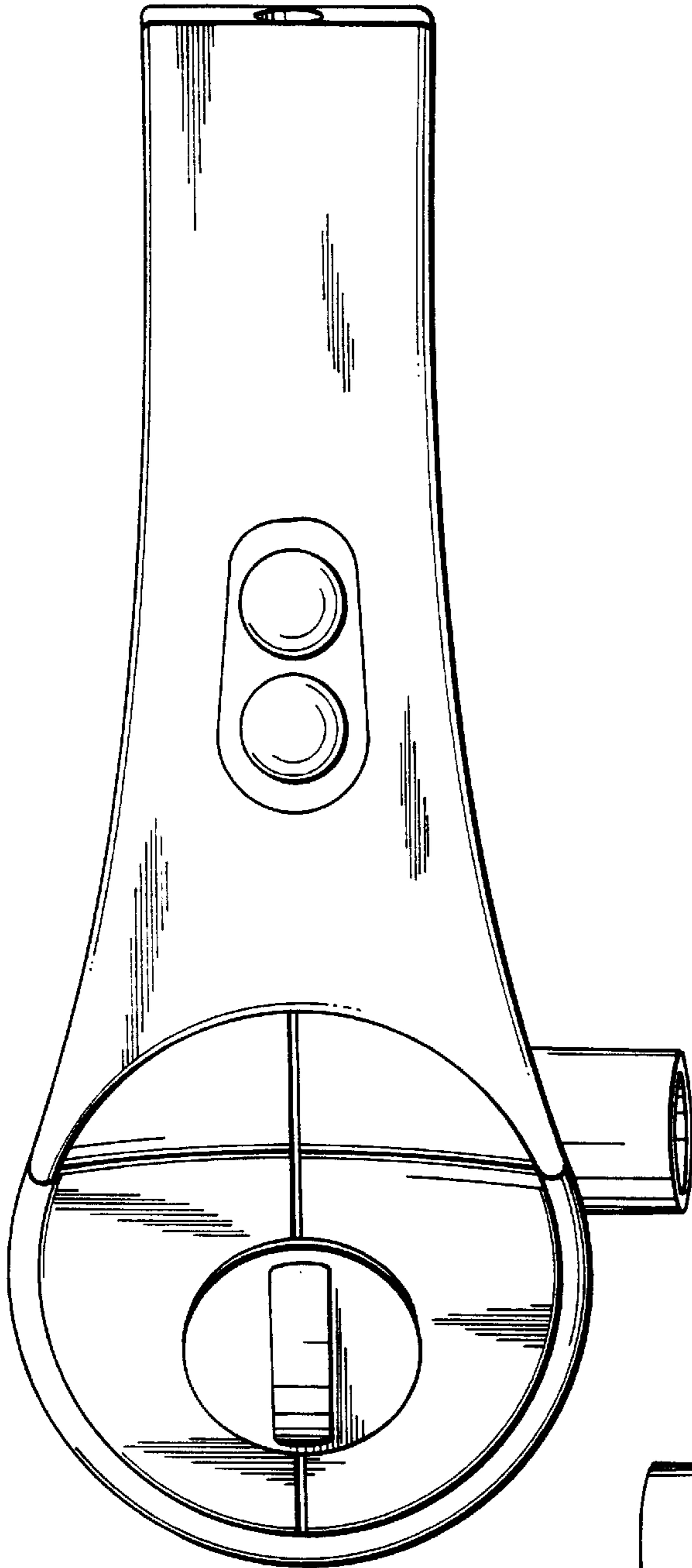


FIG. 7.

