



US00D425988S

United States Patent [19] Frank

[11] **Patent Number: Des. 425,988**

[45] **Date of Patent: ** May 30, 2000**

[54] **DENTAL EQUIPMENT**

5,902,105 5/1999 Uejima et al. 433/29
5,961,327 7/1991 Lohn 433/29

[75] Inventor: **Nikolaus Frank**, Enskede, Sweden

[73] Assignee: **Amdent AB**, Nynashamn, Sweden

[**] Term: **14 Years**

Primary Examiner—Antoine Duval Davis
Attorney, Agent, or Firm—Young & Thompson

[21] Appl. No.: **29/096,295**

[22] Filed: **Nov. 10, 1998**

[57] **CLAIM**

The ornamental design for a dental equipment, as shown.

[30] **Foreign Application Priority Data**

May 19, 1998 [SE] Sweden 98-1100

DESCRIPTION

[51] **LOC (7) Cl.** **24-02**

[52] **U.S. Cl.** **D24/152**

[58] **Field of Search** D24/152, 176;
433/77, 81, 80, 82, 83, 84, 27, 29, 126,
146, 88, 85, 98, 32

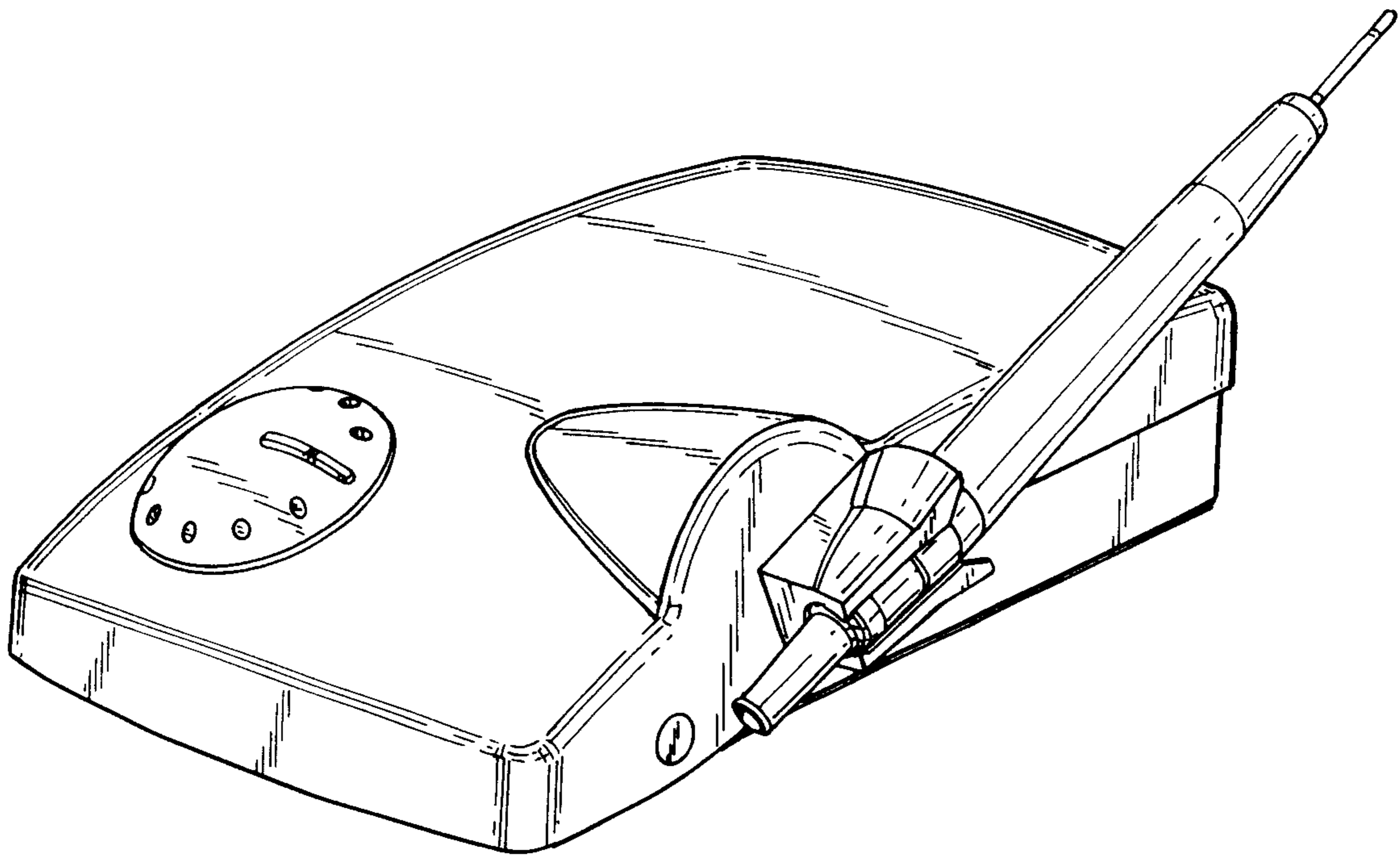
FIG. 1 is a front and left side perspective view of a dental equipment, showing my new design;
FIG. 2 is a rear and right side perspective view thereof;
FIG. 3 is a top plan view thereof;
FIG. 4 is a right side elevational view thereof;
FIG. 5 is a left side elevational view thereof;
FIG. 6 is a front elevational thereof;
FIG. 7 is a rear elevational view thereof; and,
FIG. 8 is a bottom plan view thereof.

[56] **References Cited**

U.S. PATENT DOCUMENTS

D. 318,113 7/1991 Moutafia et al. D24/152

1 Claim, 3 Drawing Sheets



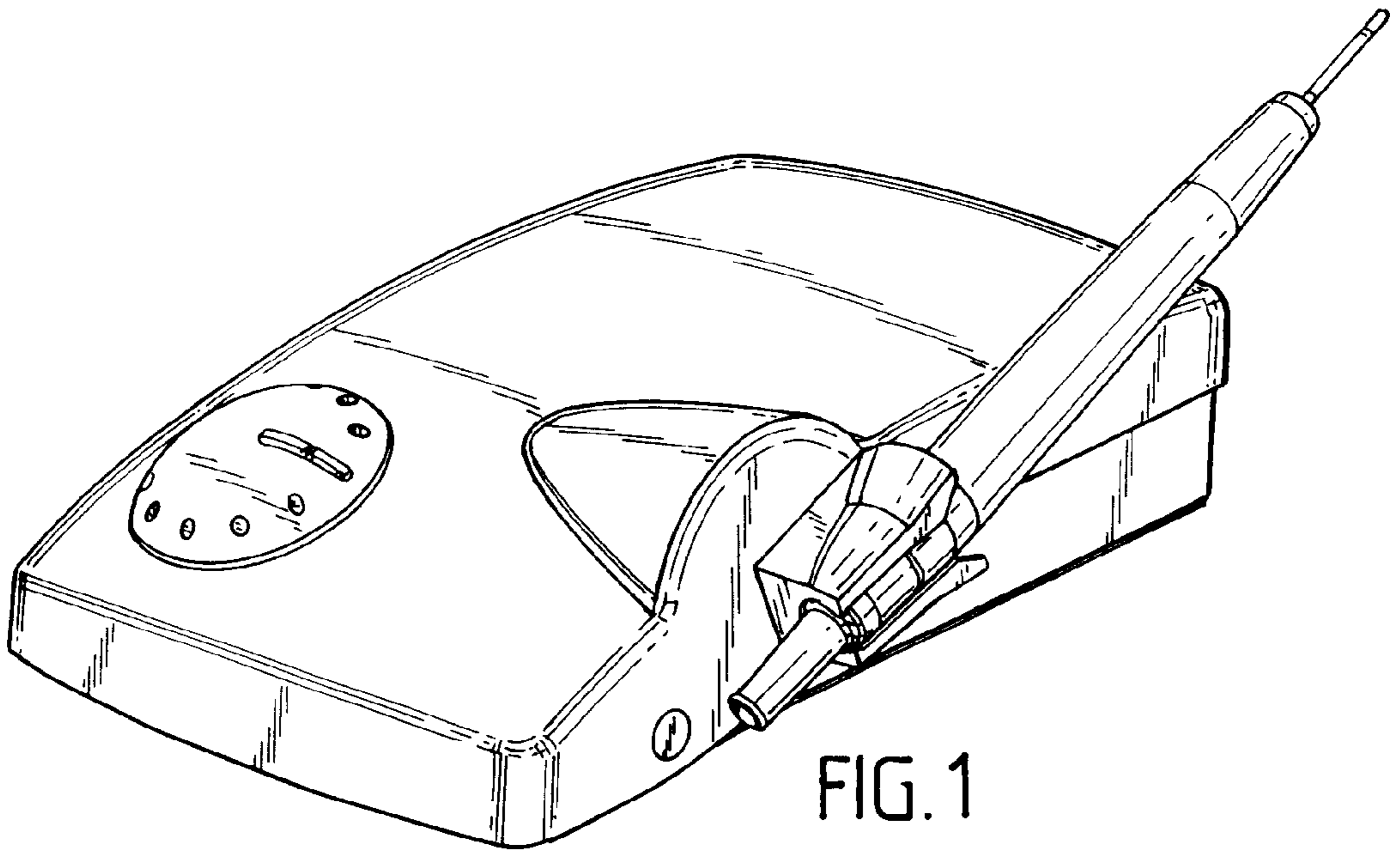


FIG. 1

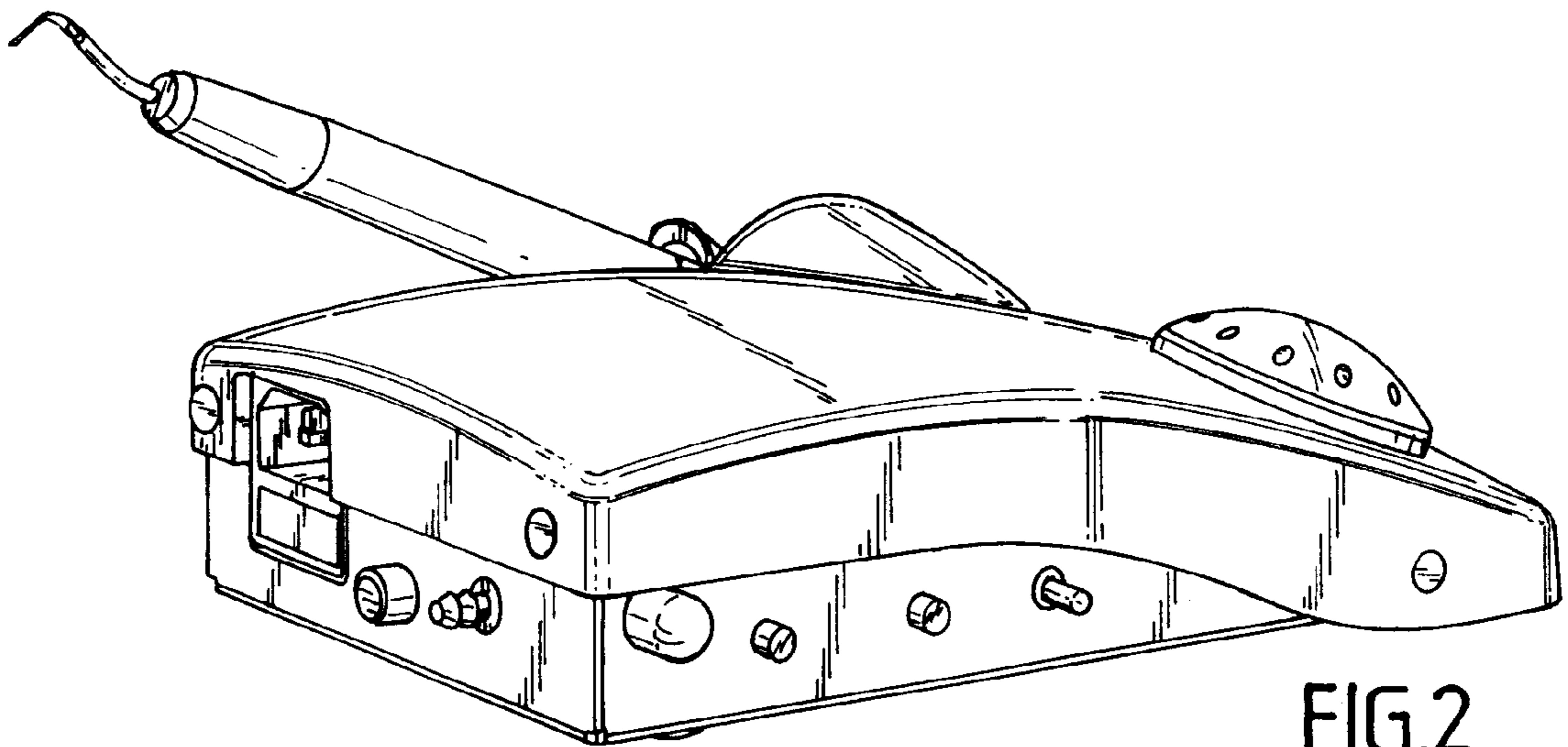


FIG. 2

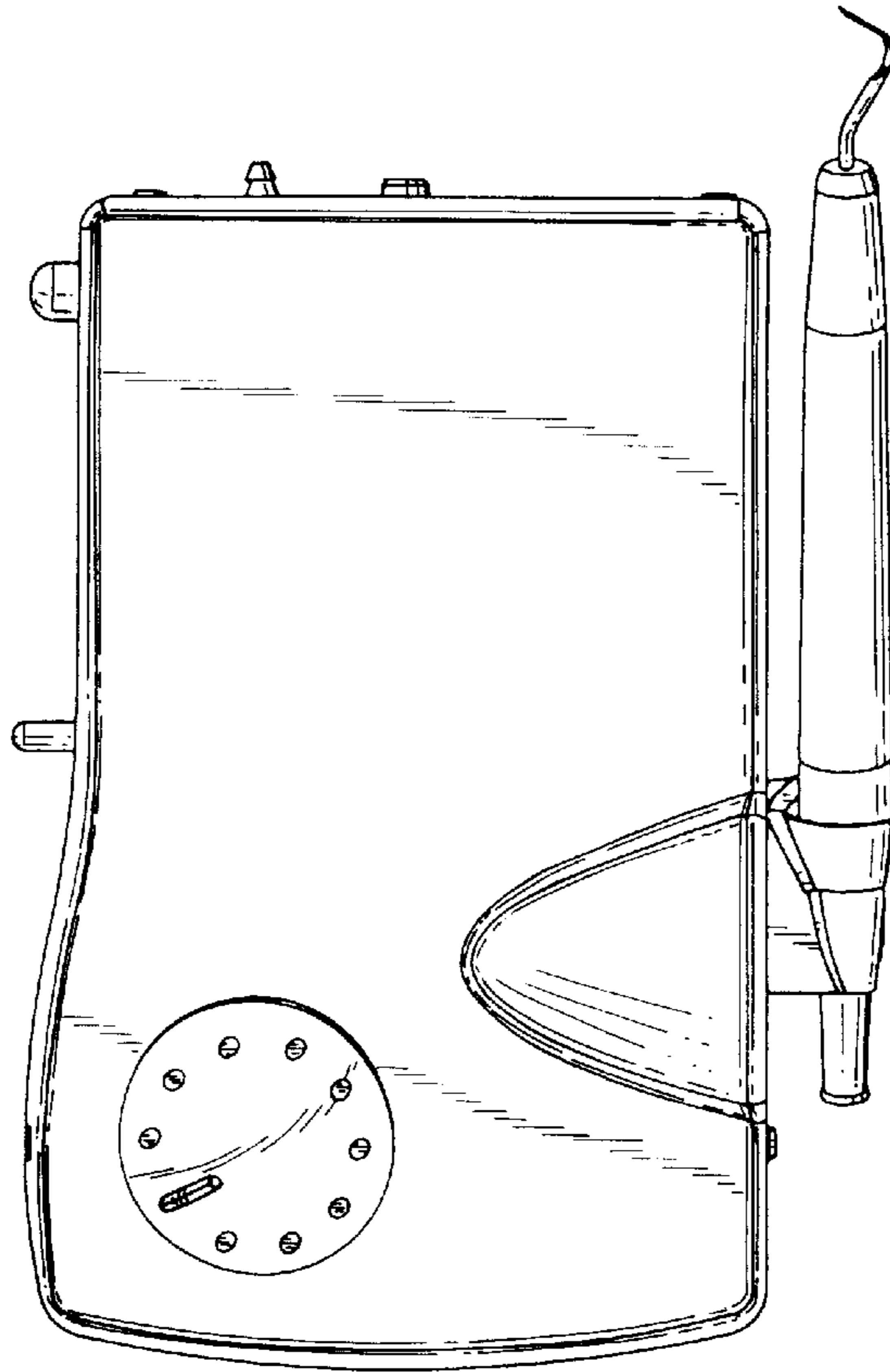


FIG. 3

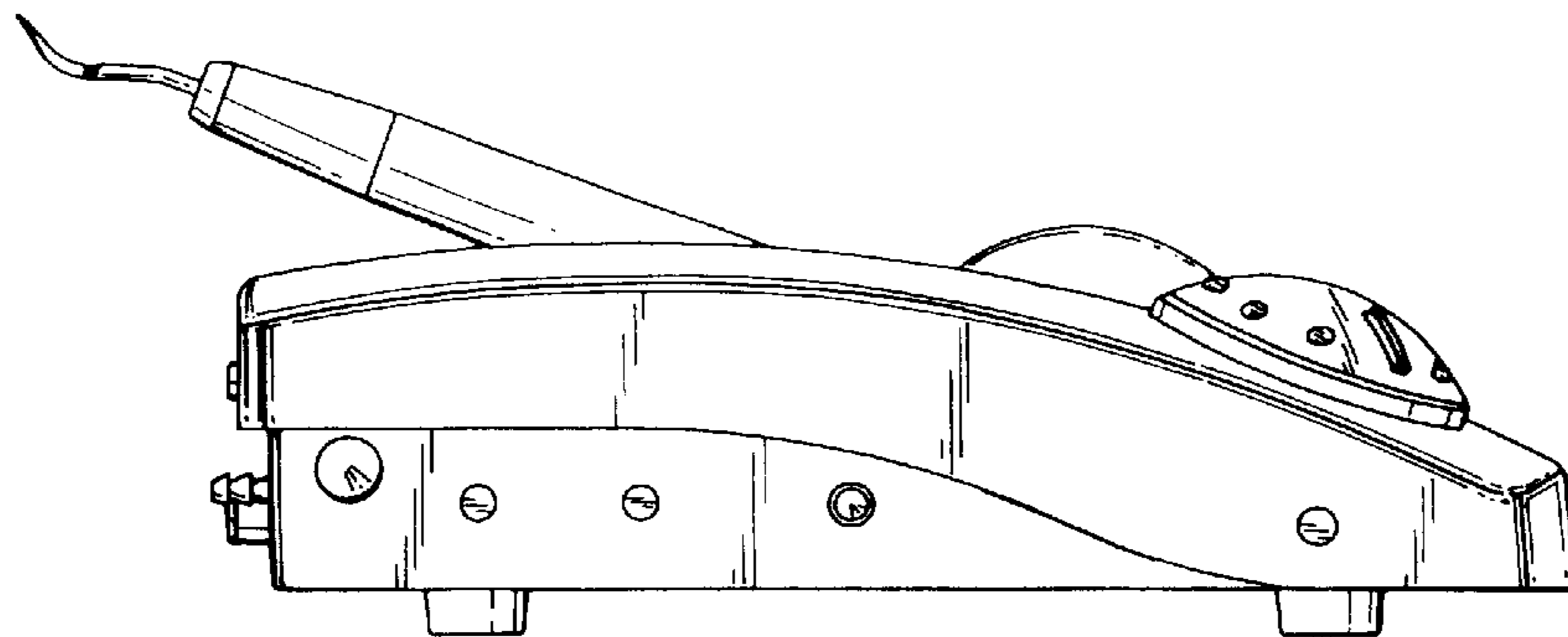


FIG. 4

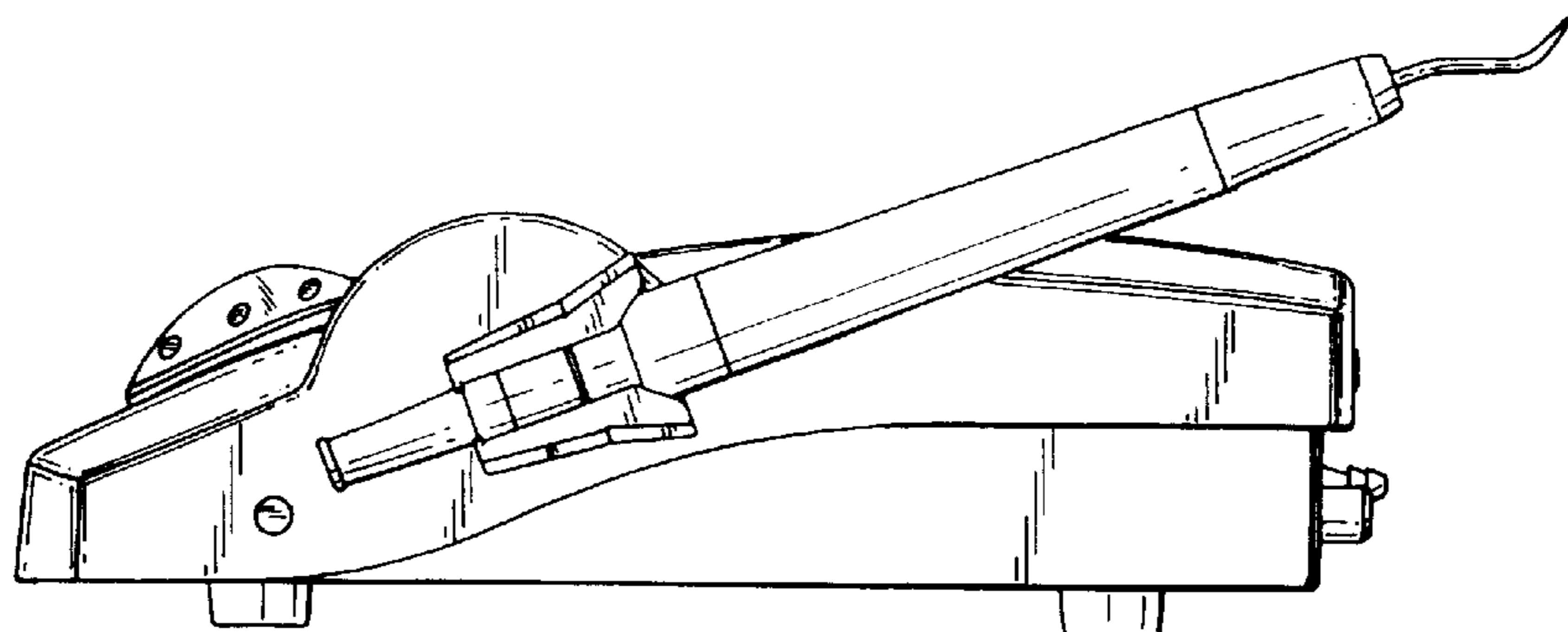


FIG. 5

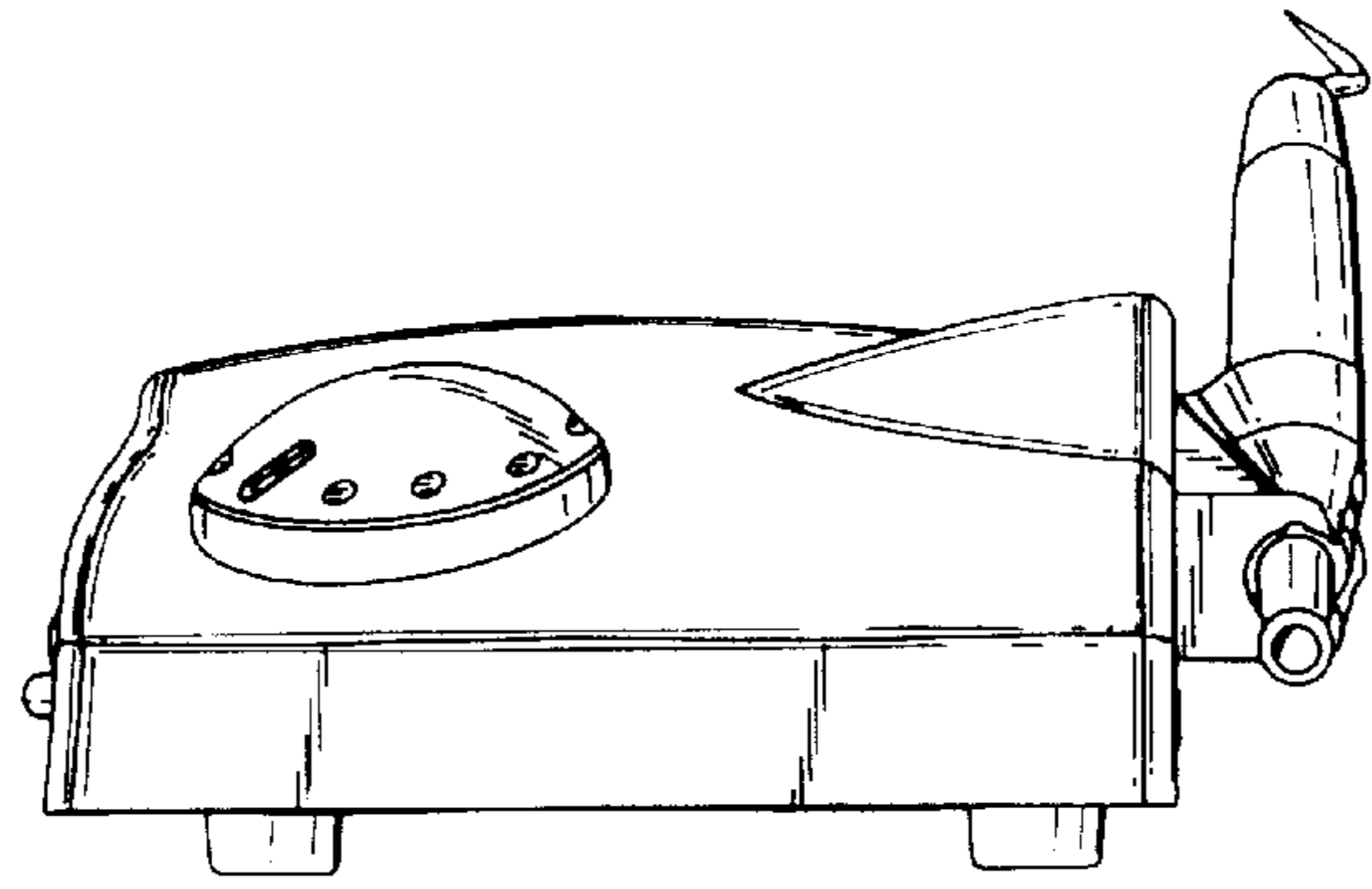


FIG. 6

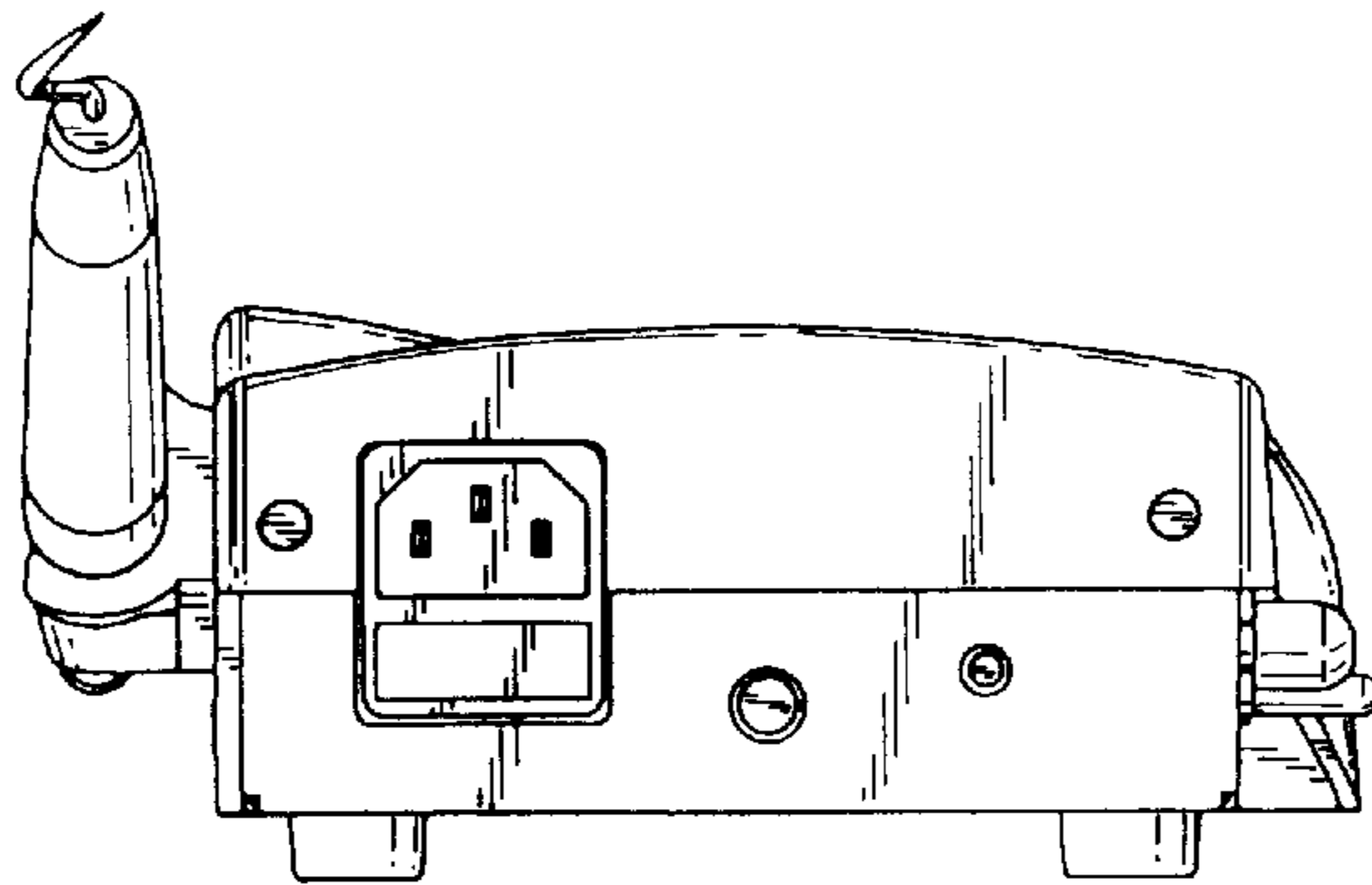


FIG. 7

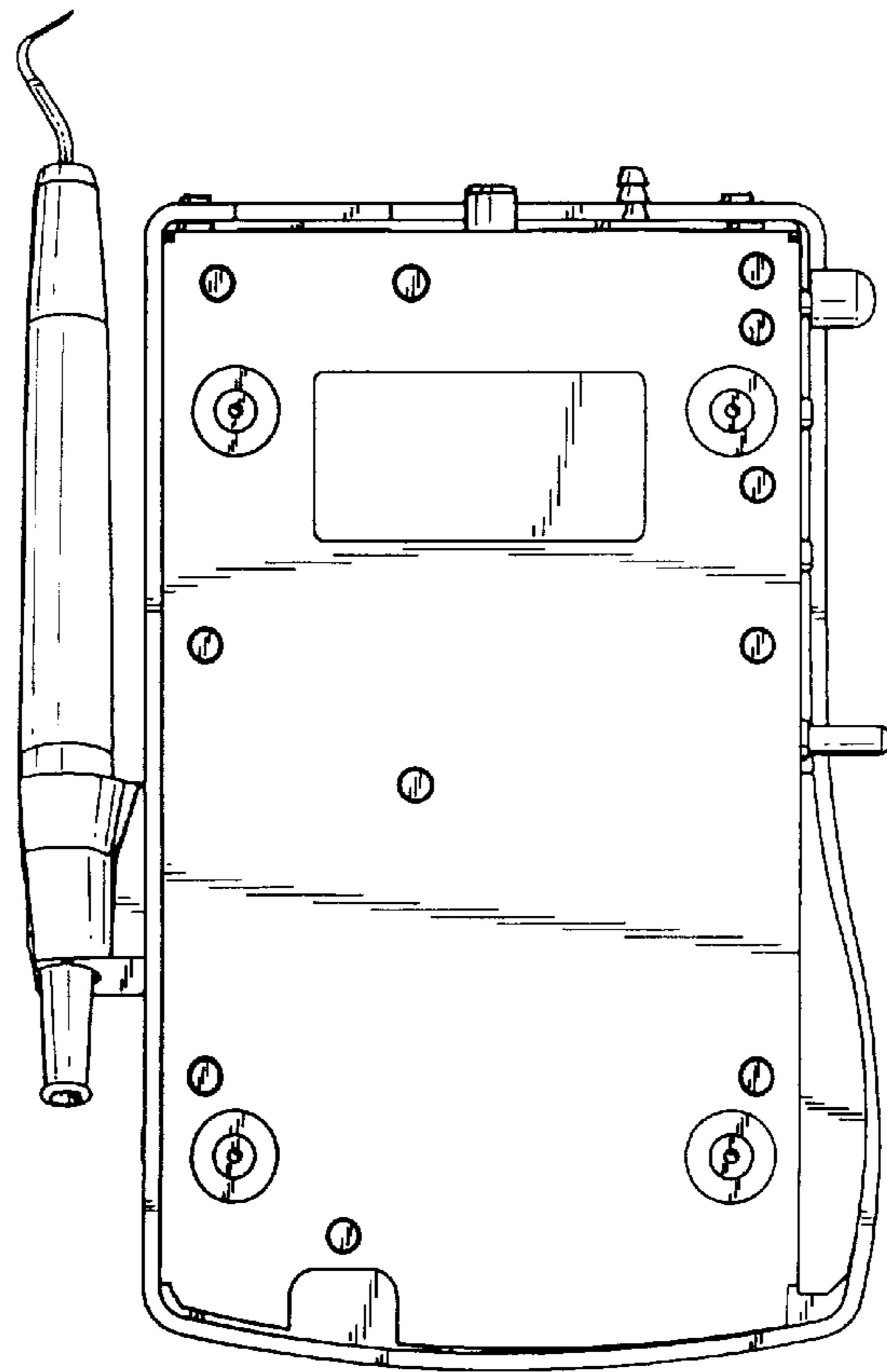


FIG. 8