



US00D425983S

United States Patent [19]

Wilkinson et al.

[11] Patent Number: **Des. 425,983**

[45] Date of Patent: **** May 30, 2000**

[54] **URINE COLLECTION DEVICE**

[75] Inventors: **Bradley Mark Wilkinson**, North Haledon; **Robert S. Golabek, Jr.**, Towaco, both of N.J.

[73] Assignee: **Becton, Dickinson and Company**, Franklin Lakes, N.J.

[**] Term: **14 Years**

[21] Appl. No.: **29/108,994**

[22] Filed: **Aug. 6, 1999**

[51] **LOC (7) Cl.** **24-04**

[52] **U.S. Cl.** **D24/122**

[58] **Field of Search** D24/121, 122, D24/128, 216, 224; 600/573, 574, 576, 577, 575; 604/317, 318, 326, 319, 331, 349, 346; D23/302; 4/114.1, 612, 614, 633, 613, 664; 422/102, 58, 61; 435/288.1, 304.1, 810, 307; 206/363, 569

[56] **References Cited**

U.S. PATENT DOCUMENTS

D. 264,248	5/1982	Steigerwald et al.	D24/122
3,161,891	12/1964	Bauman	600/574
3,485,233	12/1969	Cord	600/574
3,832,738	9/1974	Kilemann	4/144.1
4,121,306	10/1978	Beringman et al. .	

4,304,013	12/1981	Heimreid	600/574
4,492,258	1/1985	Lichtenstein et al.	141/1
4,895,167	1/1990	Guala	128/760
5,251,639	10/1993	Rentsch	128/761
5,797,855	8/1998	Hazard et al.	600/513
5,849,505	12/1998	Guirgus	435/7.2
5,893,176	4/1999	Magiera et al. .	
5,894,607	4/1999	Van Den Burg	4/144.2
5,894,608	4/1999	Birbara .	
5,897,840	4/1999	Owens, Jr. et al.	422/102

Primary Examiner—Stella Reid
Assistant Examiner—I Simmons
Attorney, Agent, or Firm—Keith J. McWha

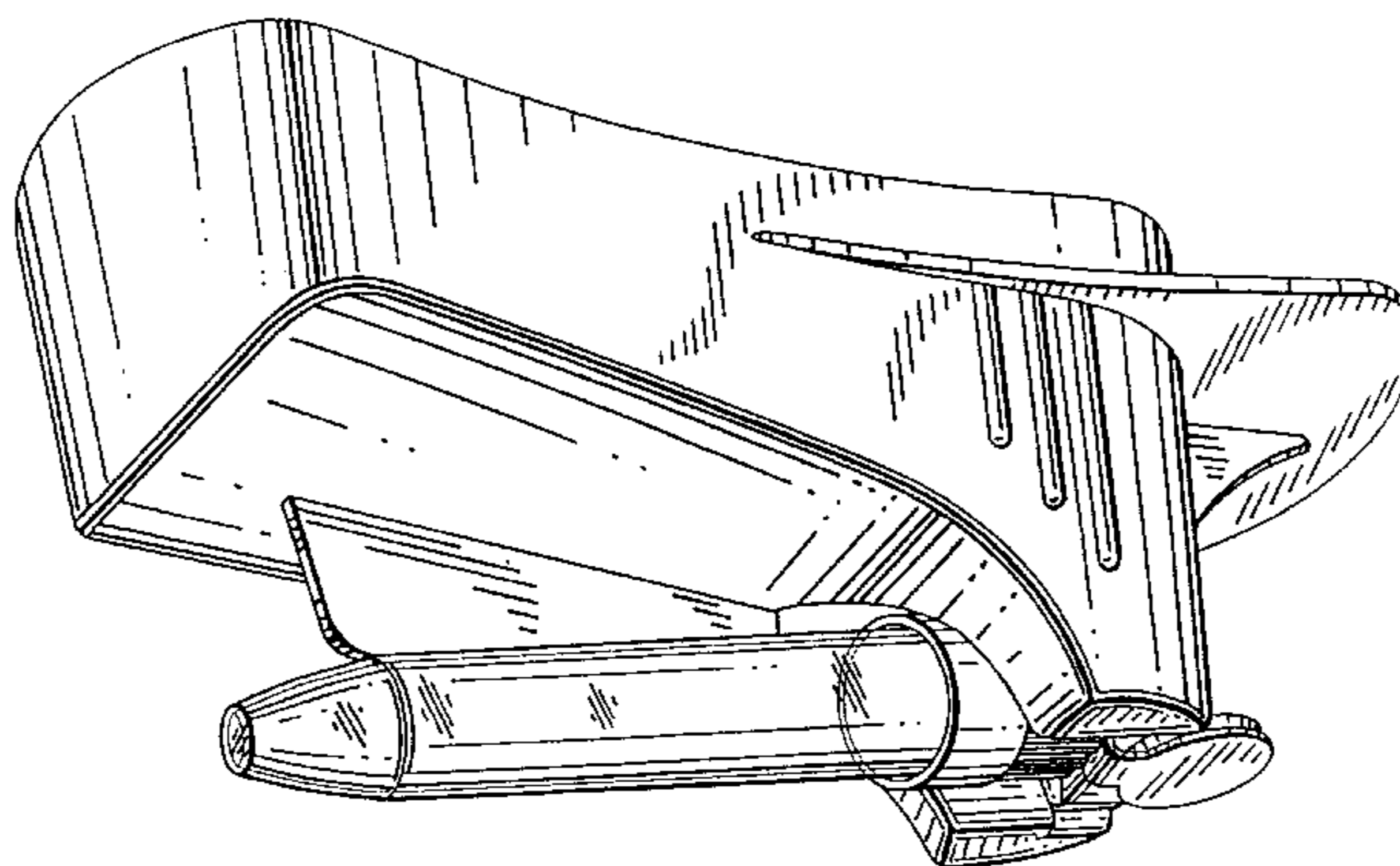
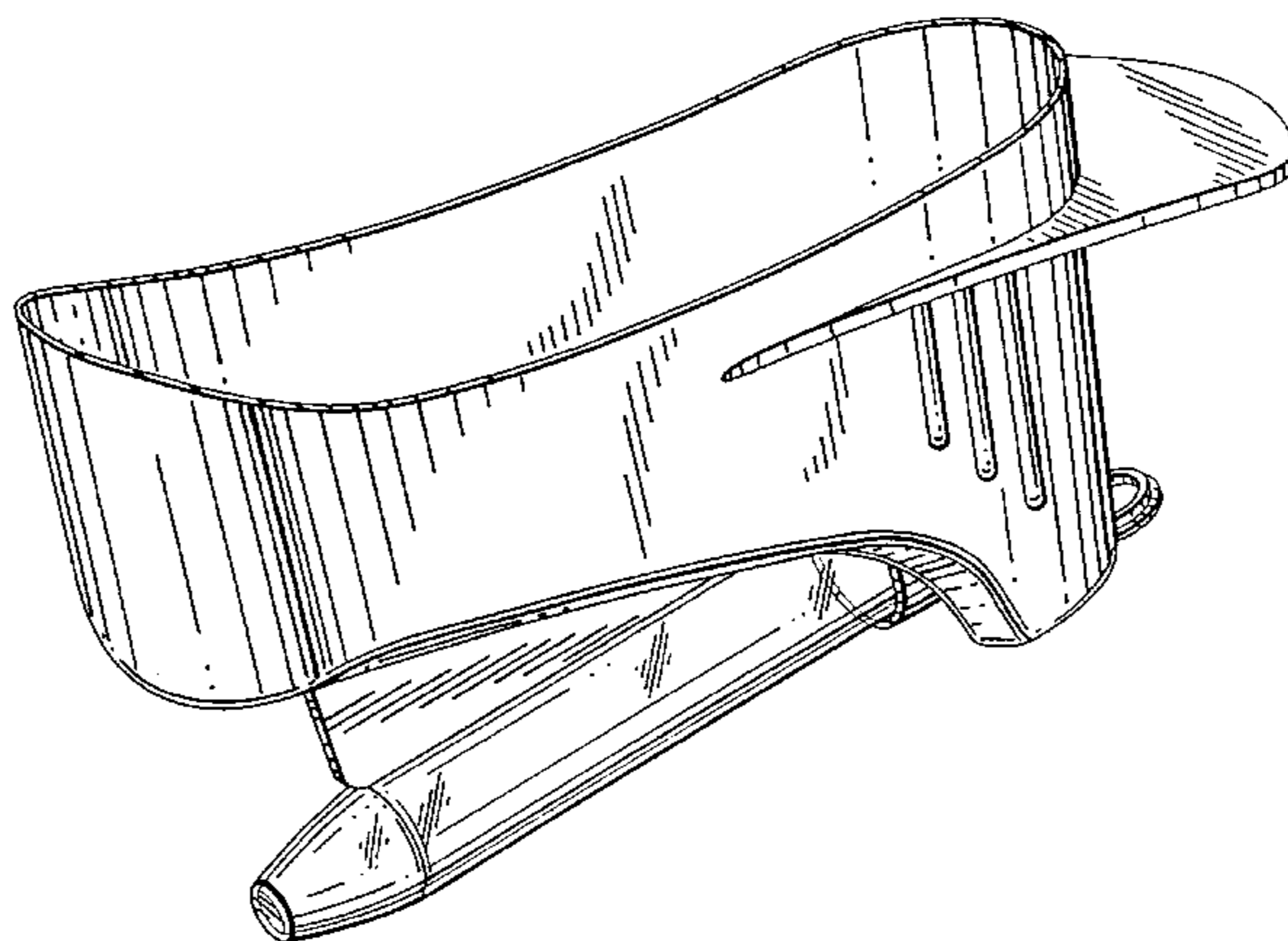
[57] **CLAIM**

The ornamental design for a urine collection device, as shown and described.

DESCRIPTION

FIG. 1 is a top, left-side perspective view of a urine collection device, showing our design;
FIG. 2 is a bottom left-side perspective view of the device of FIG. 1;
FIG. 3 is a left-side plan view of the device of FIG. 1;
FIG. 4 is a top-plan view of the device of FIG. 1;
FIG. 5 is a front elevational view of the device of FIG. 1;
FIG. 6 is a rear-elevational plan view of the device of FIG. 1; and,
FIG. 7 is a bottom-plan view of the device of FIG. 1.

1 Claim, 3 Drawing Sheets



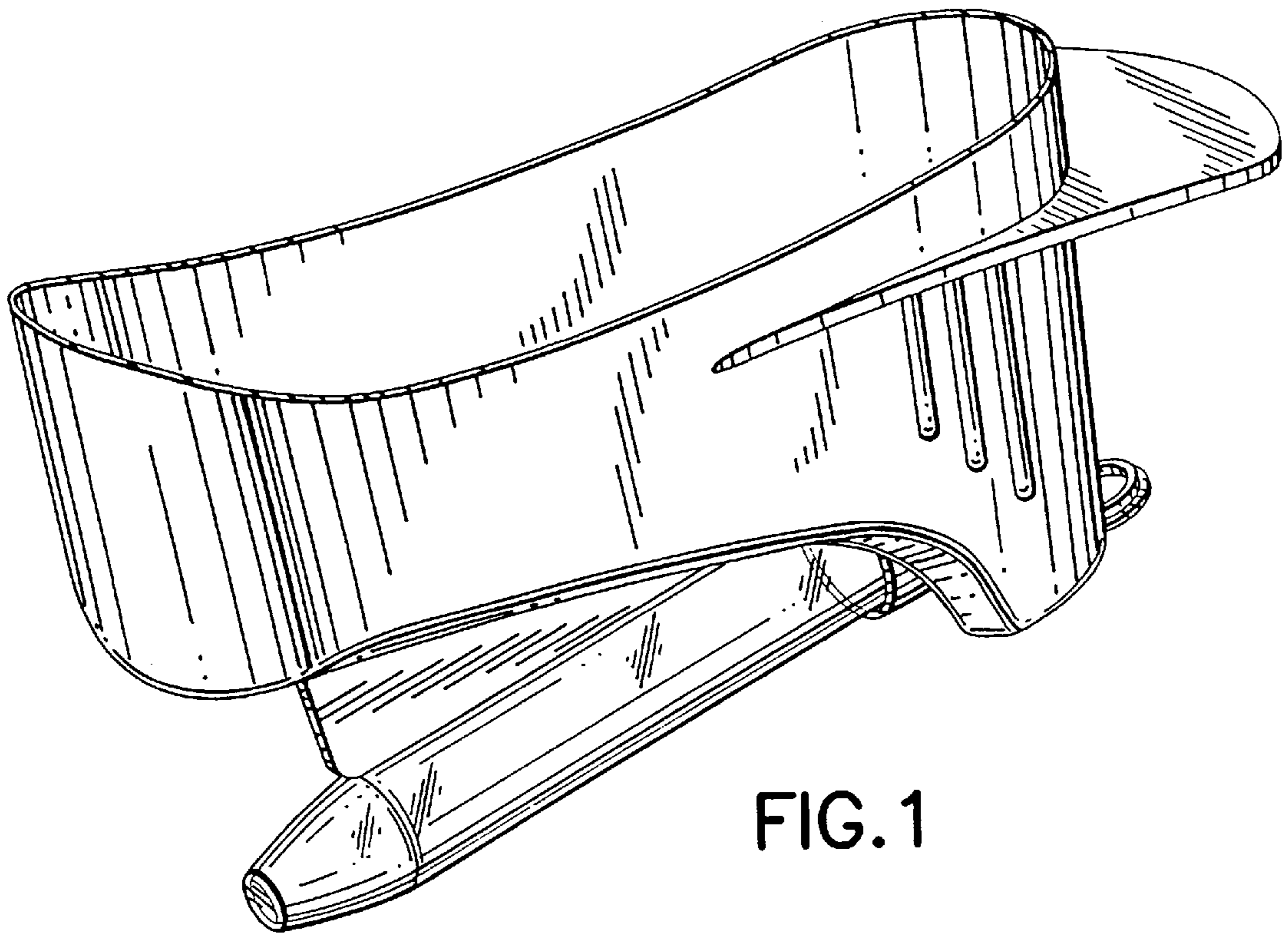


FIG. 1

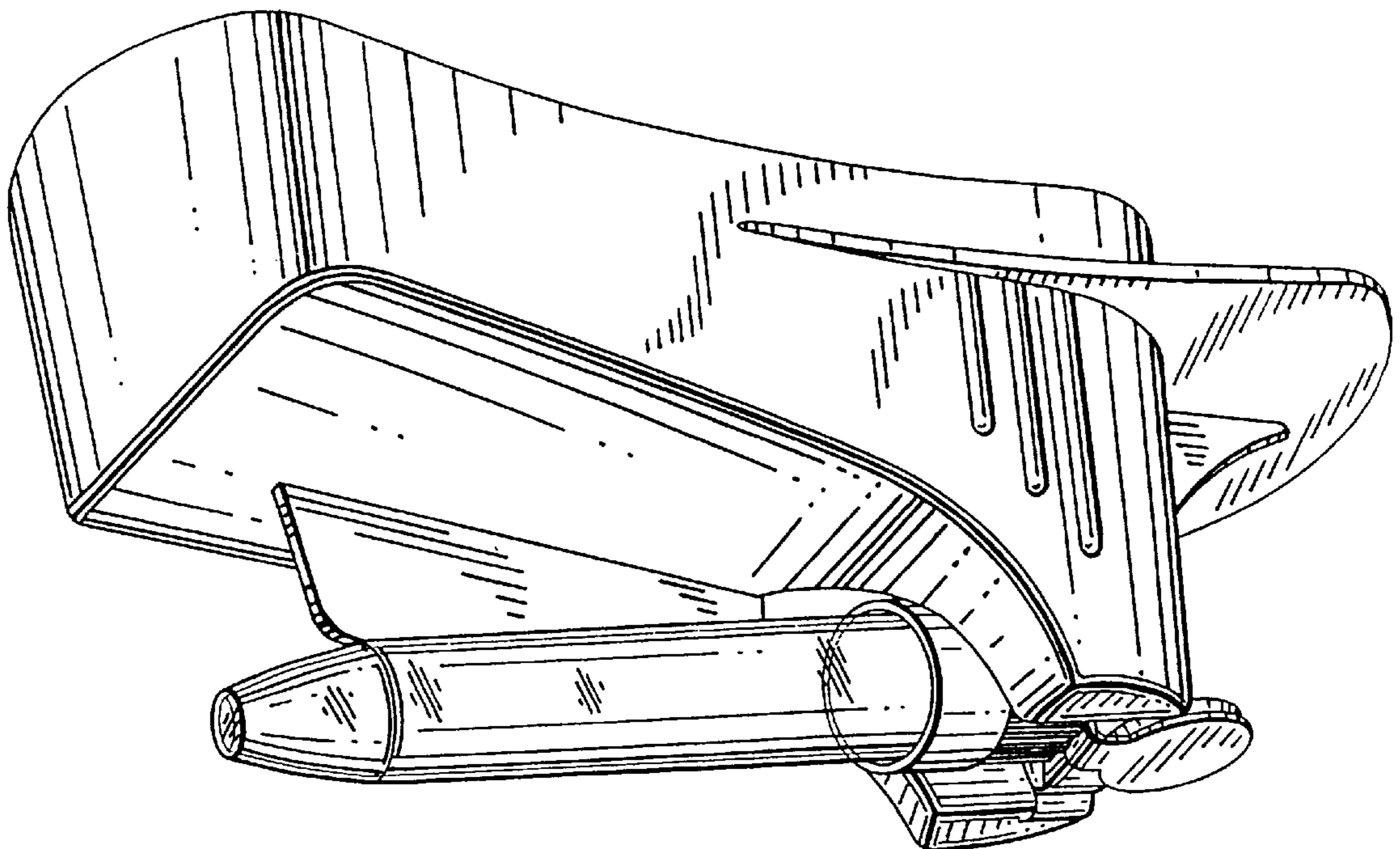


FIG. 2

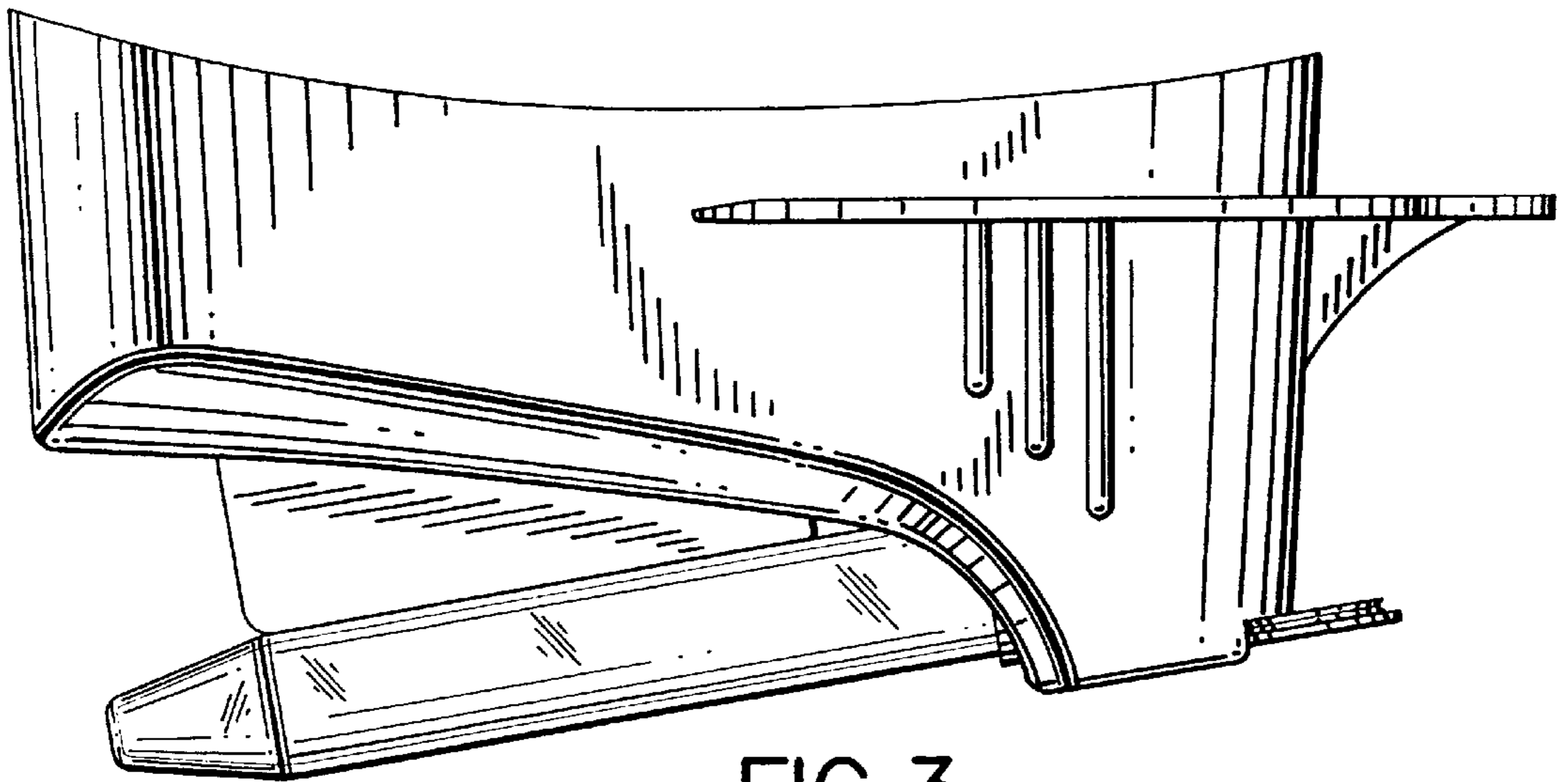


FIG. 3

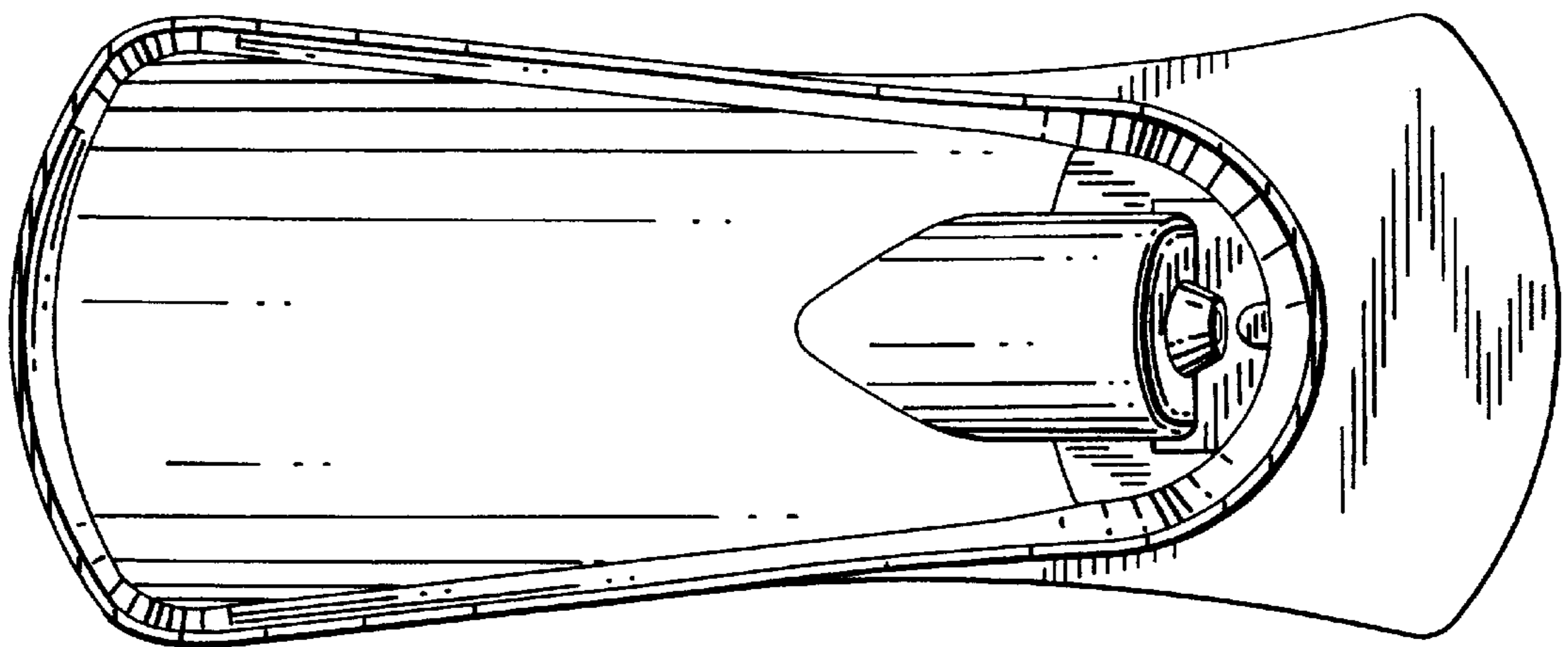


FIG. 4

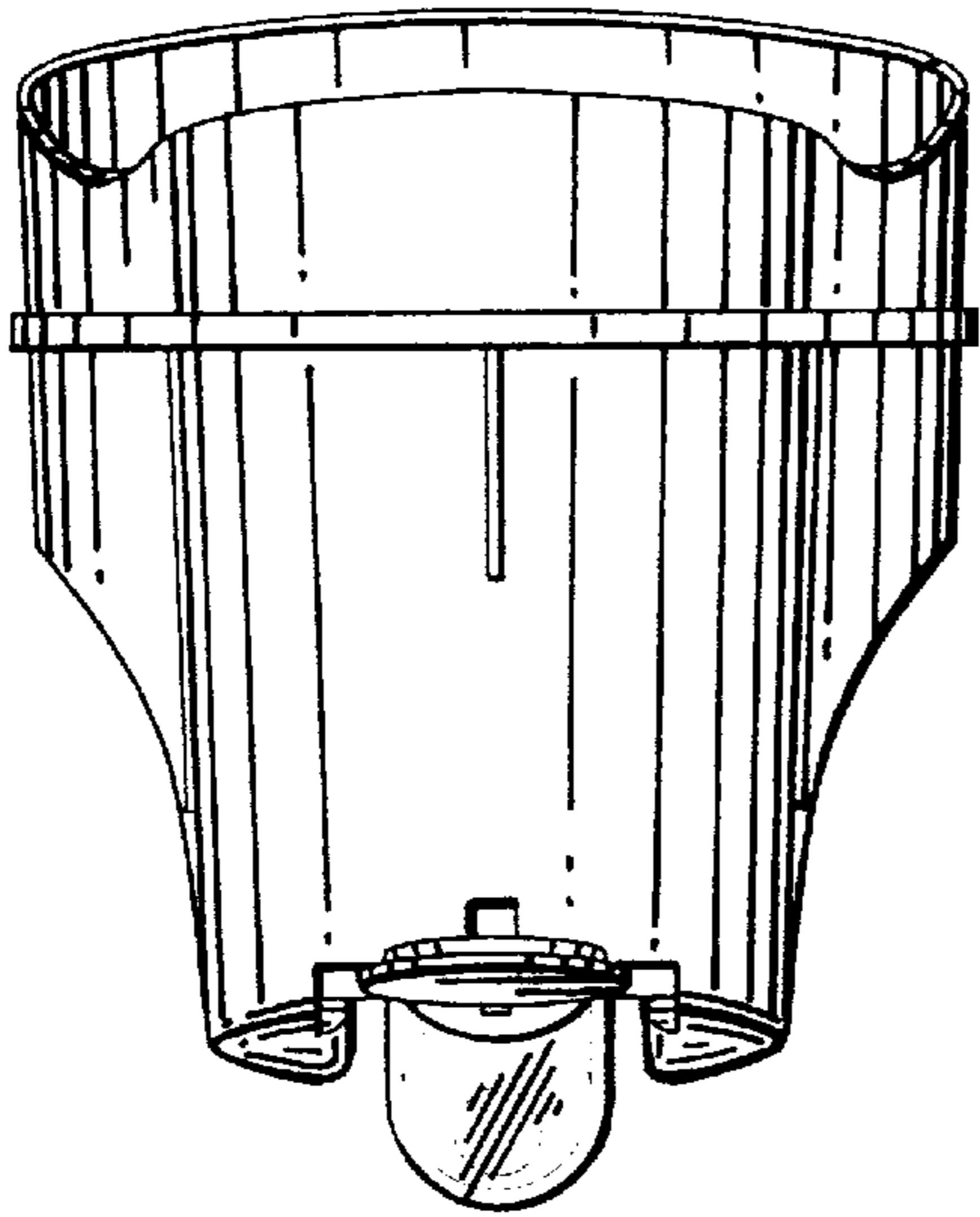


FIG. 5

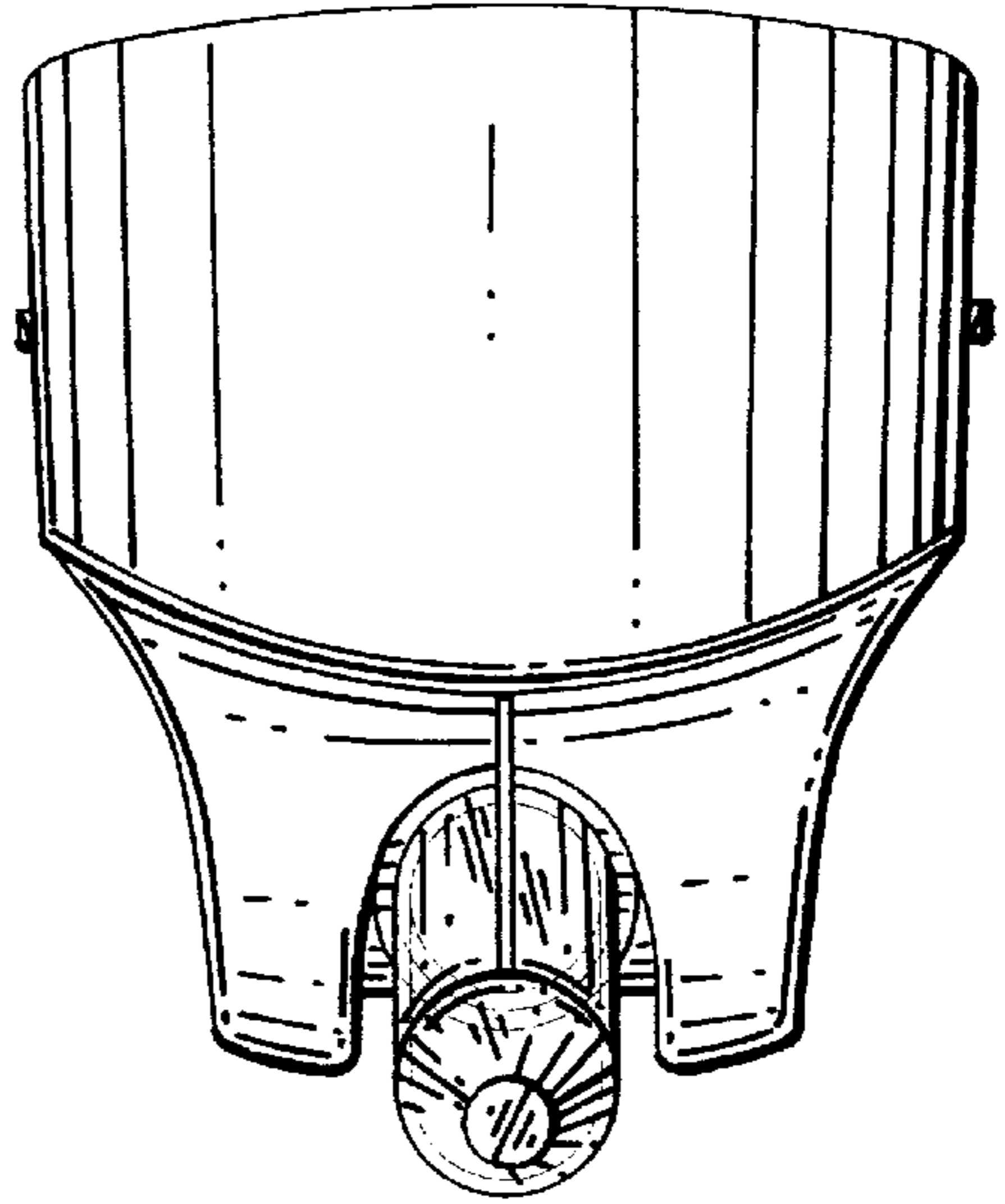


FIG. 6

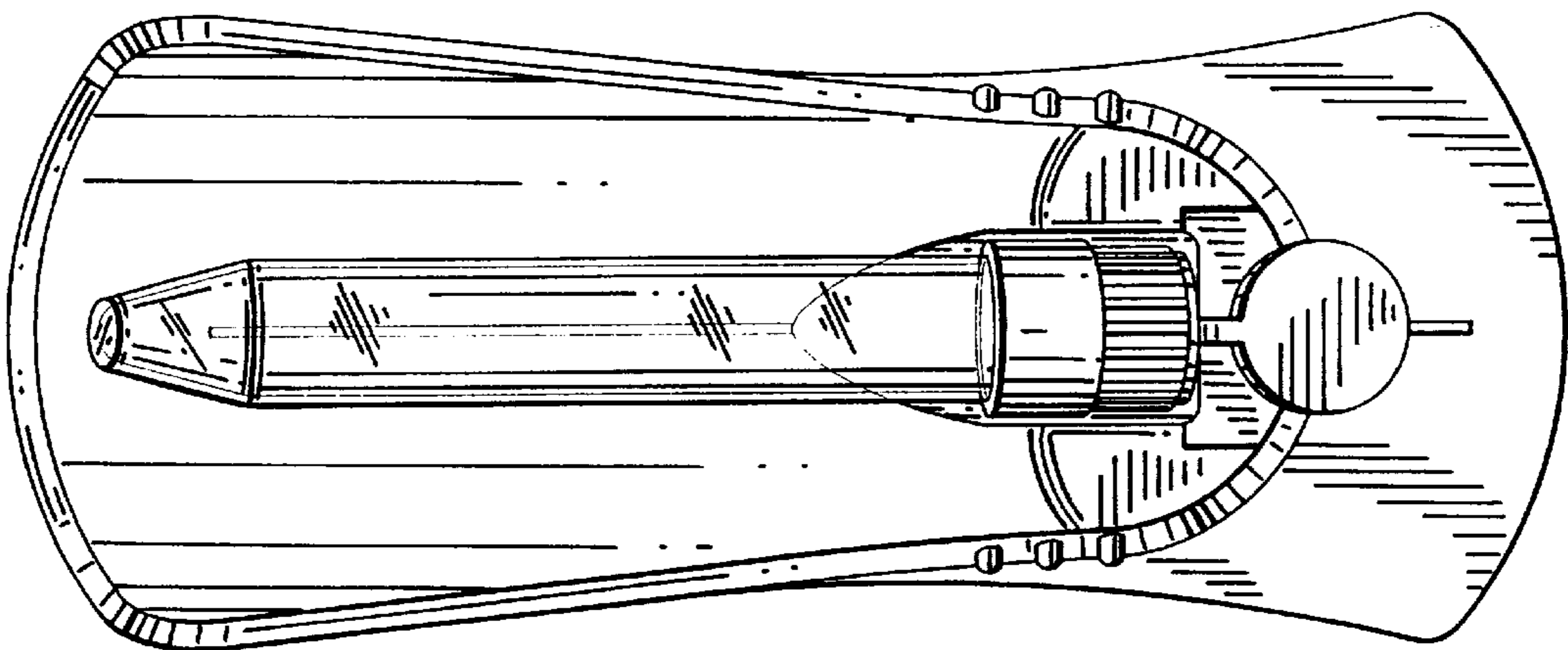


FIG. 7