



US00D425982S

United States Patent [19]

Wilkinson et al.

[11] Patent Number: Des. 425,982

[45] Date of Patent: ** May 30, 2000

[54] URINE COLLECTION CONTAINER

[75] Inventors: **Bradley Mark Wilkinson**, North Haledon; **Robert S. Golabek, Jr.**, Towaco, both of N.J.

[73] Assignee: **Becton, Dickinson and Company**, Franklin Lakes, N.J.

[**] Term: **14 Years**

[21] Appl. No.: **29/108,989**

[22] Filed: **Aug. 6, 1999**

[51] LOC (7) Cl. **24-04**

[52] U.S. Cl. **D24/122**

[58] Field of Search D24/121, 122, D24/123, 216, 224; 600/574, 573, 577, 576, 575; 604/403, 315, 317, 319, 326, 331, 349; D23/302; 4/114.1, 612, 613, 614; 422/102, 58, 61; 435/288.1, 304.1, 810, 307.1; 206/363, 569

[56] **References Cited**

U.S. PATENT DOCUMENTS

D. 251,202	2/1979	Charewicz	D24/123
D. 388,874	1/1998	Lewandowski et al.	D24/122
3,485,233	12/1969	Cord	600/574
3,750,647	8/1973	Gleason et al.	128/2 F
3,832,738	9/1974	Kliemann	4/144.1
3,888,235	6/1975	May et al.	600/574
4,106,490	8/1978	Spilman et al.	128/2 F
4,116,066	9/1978	Mehl et al.	73/421 R
4,121,306	10/1978	Bringman et al. .	
4,258,032	3/1981	Mehl	424/148
4,300,404	11/1981	Mehl et al.	73/863.52
4,335,730	6/1982	Griffin	128/760
4,393,881	7/1983	Shah	128/760

4,492,258	1/1985	Lichtenstein et al. .	
4,557,274	12/1985	Cawood	600/573
4,569,090	2/1986	Muller	600/574
4,761,379	8/1988	Williams et al.	435/296
4,769,215	9/1988	Ehrenkranz	422/58
4,895,167	1/1990	Guala	128/760
5,069,878	12/1991	Ehrenkranz	422/61
5,147,342	9/1992	Kane et al.	604/356
5,251,639	10/1993	Rentsch	128/761
5,422,076	6/1995	Jones	422/102
5,569,225	10/1996	Fleury	604/323
5,797,855	8/1998	Hazard et al.	600/513
5,849,505	12/1998	Guirguis .	
5,893,176	4/1999	Magiera et al. .	
5,894,607	4/1999	Van Den Burg .	
5,894,608	4/1999	Birbara .	
5,897,840	4/1999	Owens, Jr. et al.	422/102

Primary Examiner—Stella Reid
Assistant Examiner—I Simmons
Attorney, Agent, or Firm—Keith J. McWha

[57] **CLAIM**

The ornamental design for urine collection container, as shown and described.

DESCRIPTION

FIG. 1 is a perspective view of a urine collection container showing our new design;
FIG. 2 is a front elevational view thereof, the rear elevational view being a mirror image thereto;
FIG. 3 is a top plan view thereof,
FIG. 4 is a right side elevational view thereof;
FIG. 5 is a left side elevational view thereof;
FIG. 6 is a bottom plan view thereof; and,
FIG. 7 is a cross-sectional view thereof, taken along the line 7—7 of FIG. 3.

1 Claim, 6 Drawing Sheets

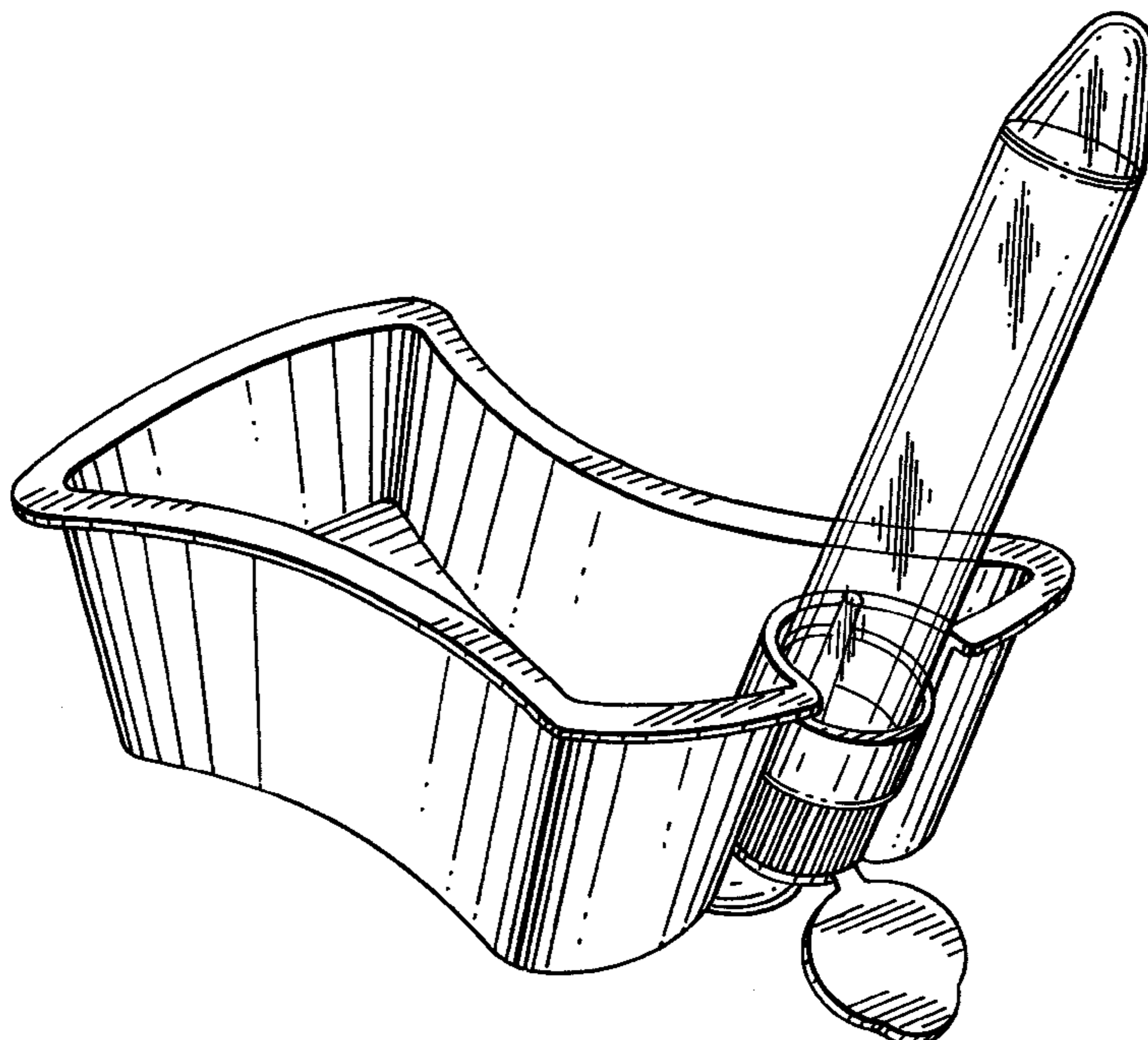


FIG. 1

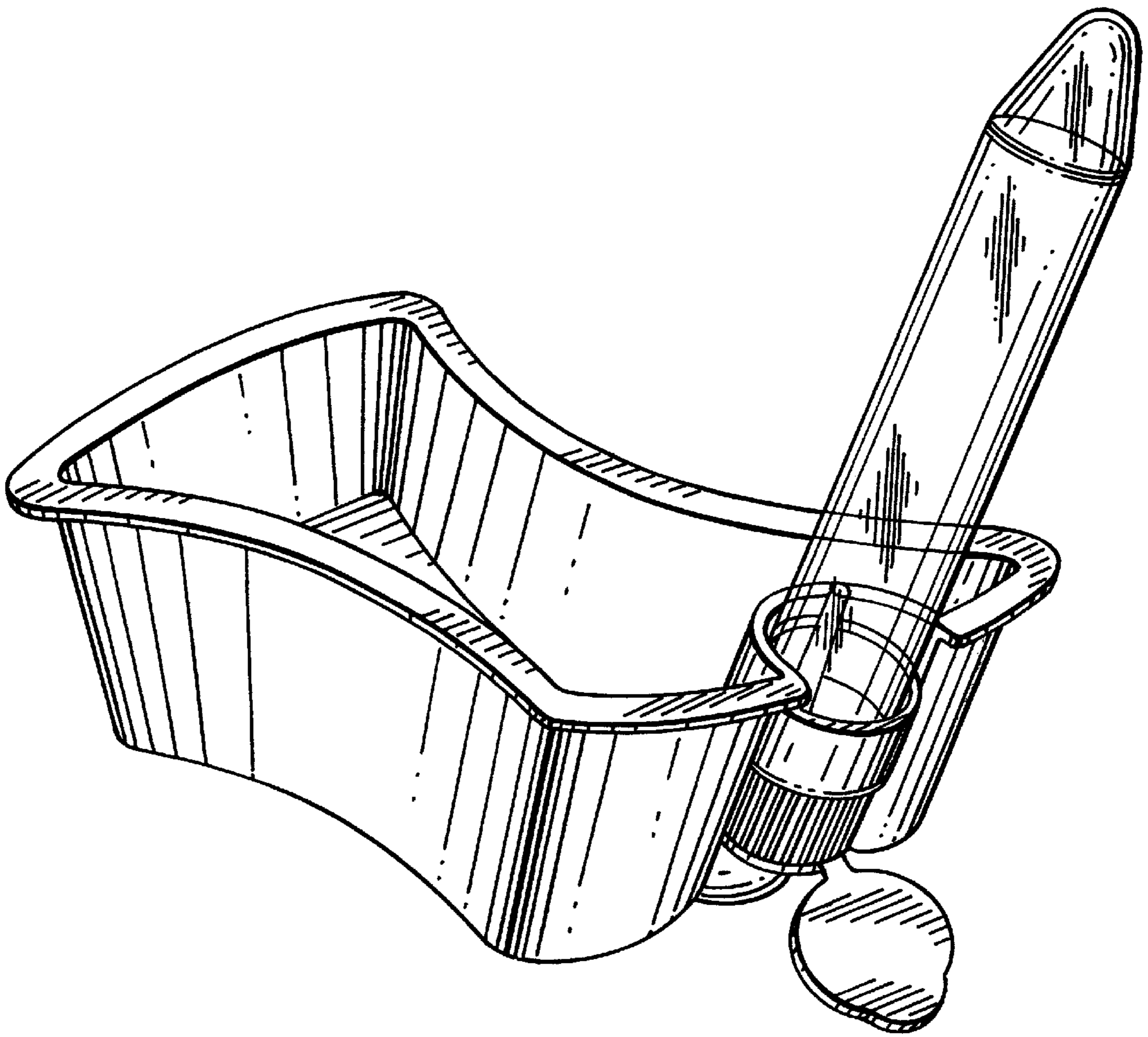


FIG. 2

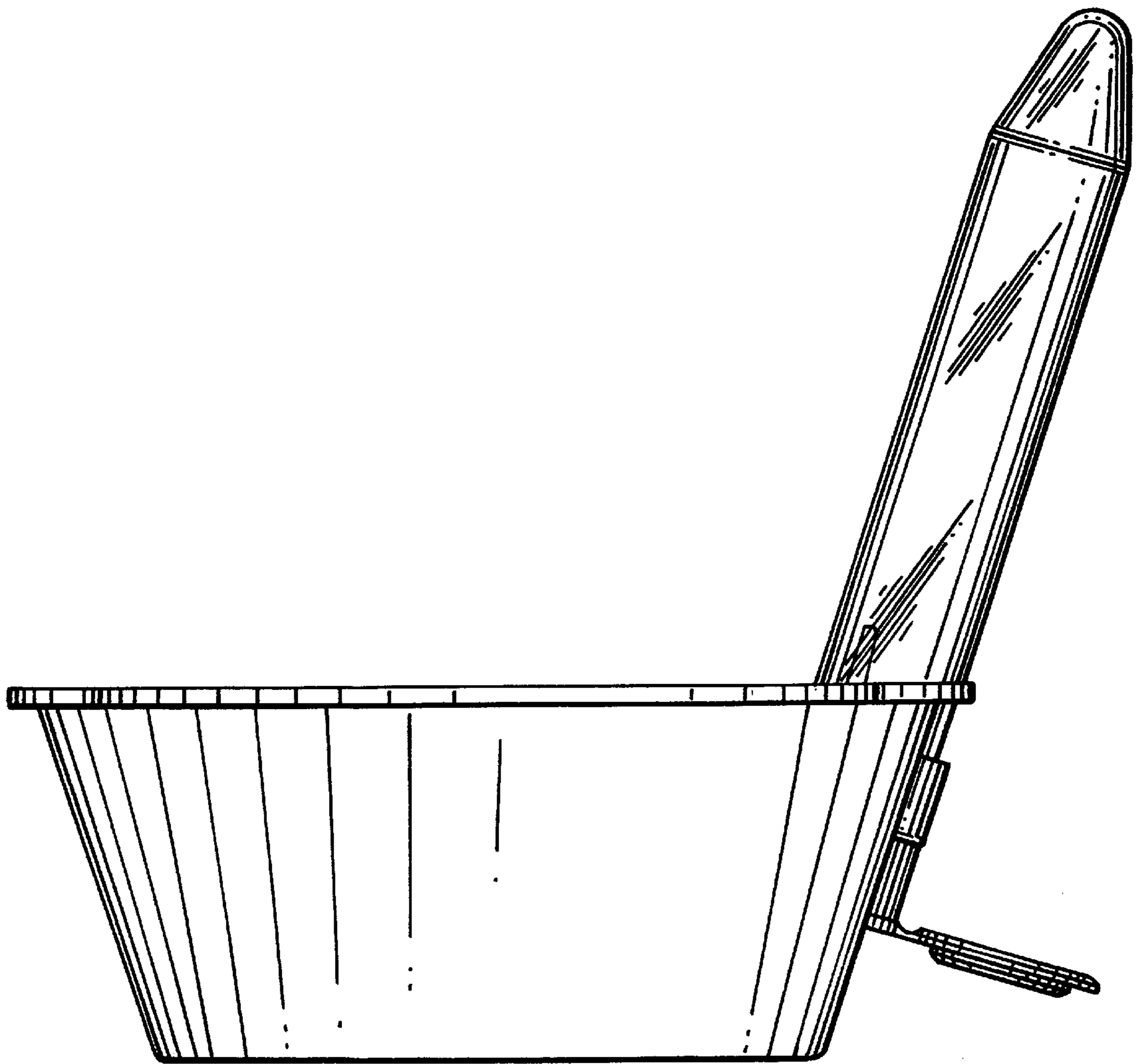


FIG. 3

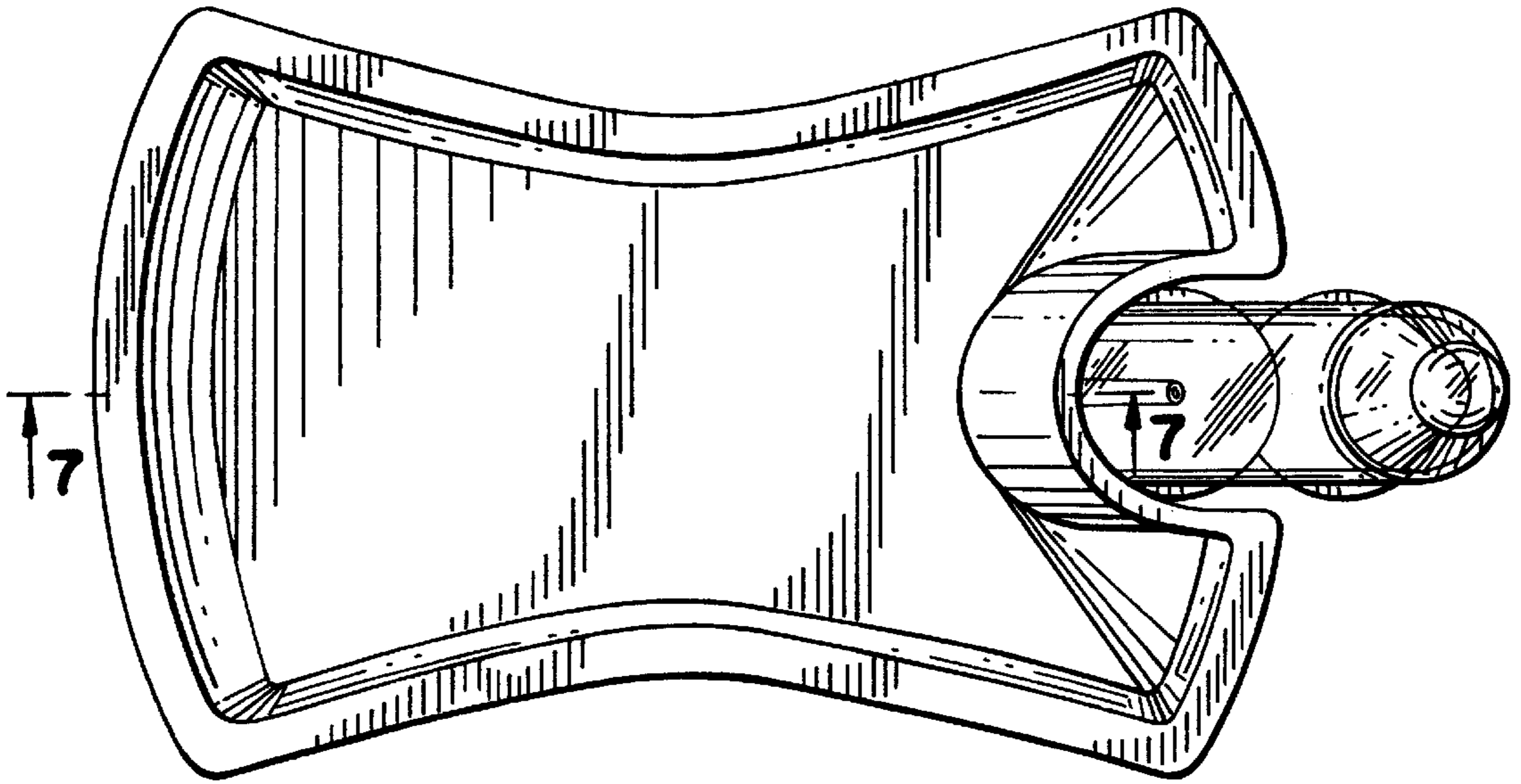


FIG. 6

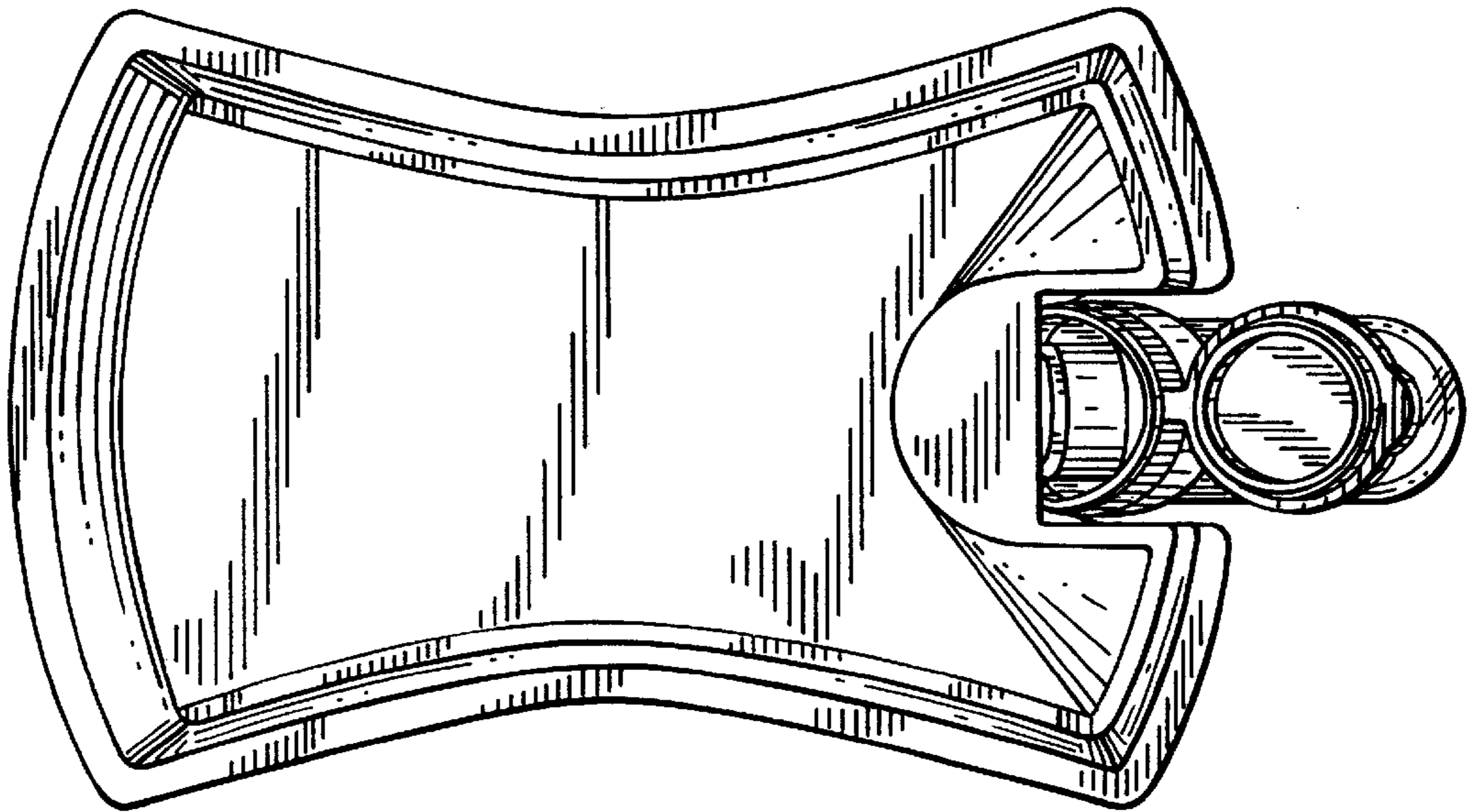


FIG. 4

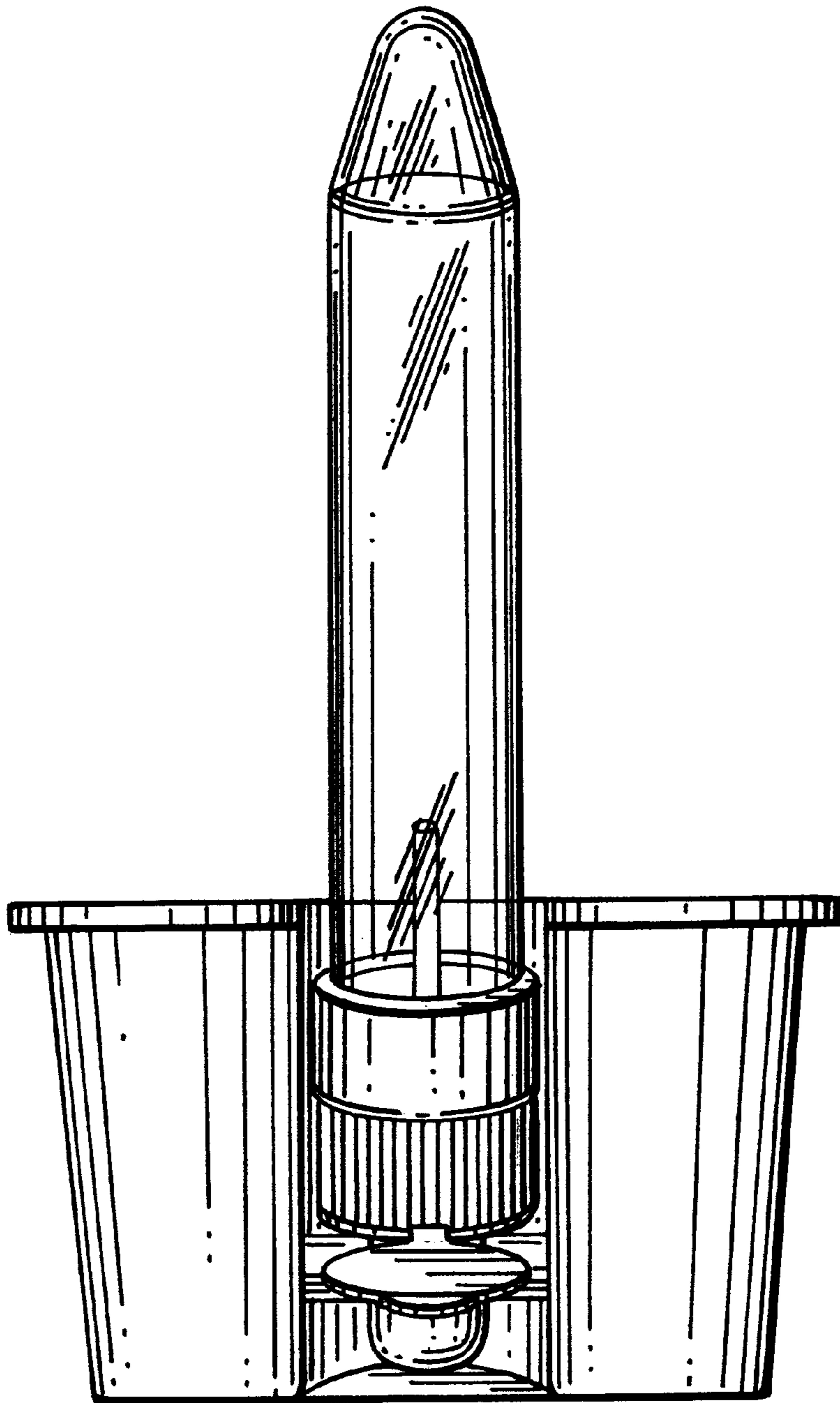


FIG. 5

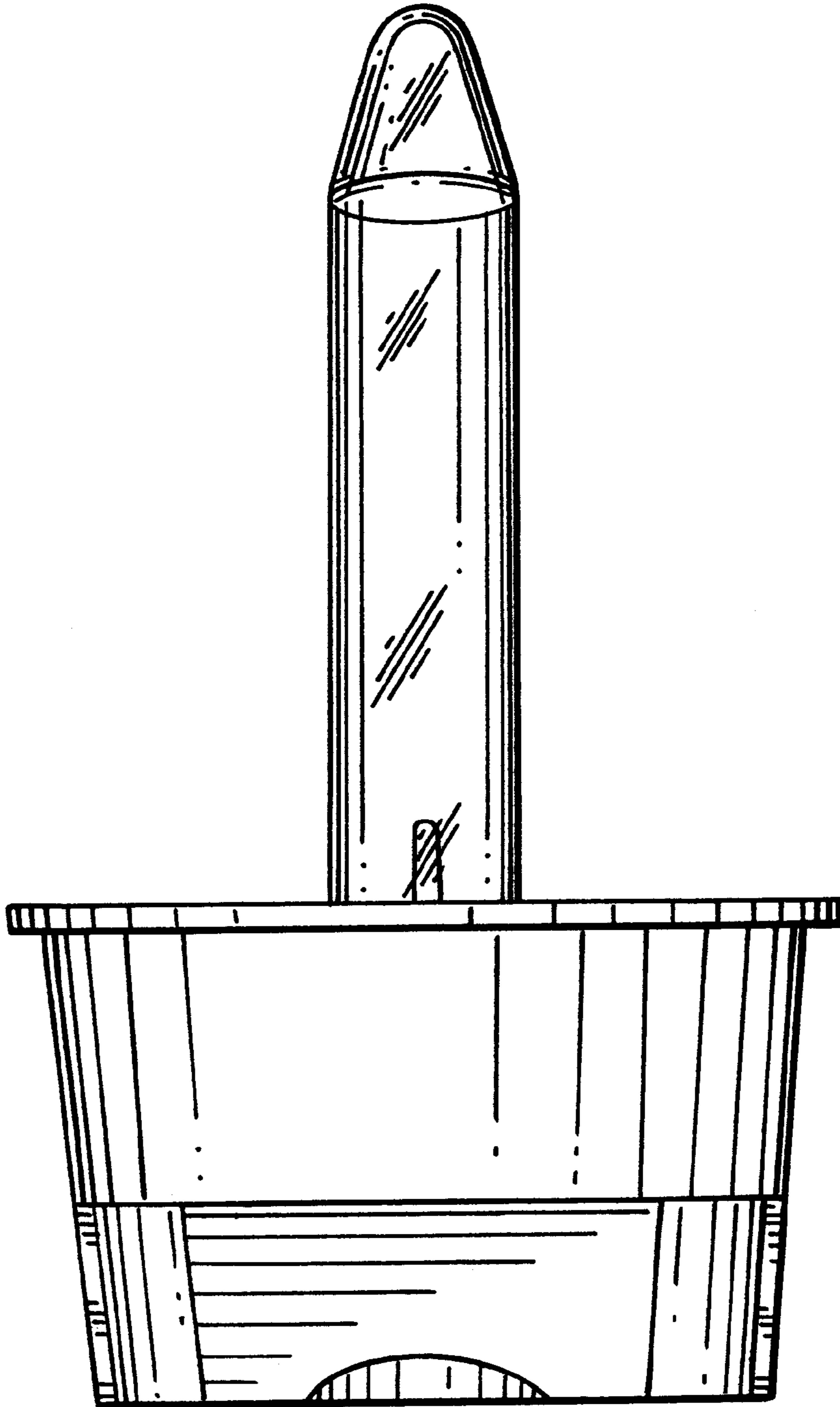


FIG. 7

