



US00D425980S

# United States Patent [19]

[11] **Patent Number: Des. 425,980**

**Last et al.**

[45] **Date of Patent: \*\* May 30, 2000**

[54] **HAND-HELD TISSUE EXAMINATION DEVICE**

[75] Inventors: **Timothy E. Last**, Hopedale; **Brian D. Noble**, Shrewsbury; **Troy W. Roberts**, Pepperell; **Alan D. Ball**, Arlington; **Thomas Swyst**, Arlington; **Andrew P. Tosh**, Arlington; **Philip C. Walker**, Arlington, all of Mass.

[73] Assignee: **Assurance Medical, Inc.**, Hopkinton, Mass.

[\*\*] Term: **14 Years**

[21] Appl. No.: **29/078,243**

[22] Filed: **Oct. 20, 1997**

[51] **LOC (7) Cl.** ..... **24-02**

[52] **U.S. Cl.** ..... **D24/107**

[58] **Field of Search** ..... D24/107, 153, D24/177, 186; 600/478, 476, 410, 300, 310, 437, 445, 446, 587, 407; 128/898, 903, 920

[56] **References Cited**

**U.S. PATENT DOCUMENTS**

Re. 30,446	12/1980	Meyers et al.	128/736
Re. 32,000	10/1985	Sagi	128/736
D. 345,183	3/1994	Emmel et al.	D24/186 X
3,154,789	11/1964	Lewis, Jr.	2/104

(List continued on next page.)

**FOREIGN PATENT DOCUMENTS**

PCT/US96/			
17173	10/1996	European Pat. Off.	.
2 086 575	5/1982	United Kingdom	.

**OTHER PUBLICATIONS**

E.J. Chen et al., "Ultrasound Tissue Displacement Imaging with Application to Breast Cancer", 1995, *Ultrasound in Med. & Biol.*, vol. 21, No. 9, pp. 1153-1156, Michigan, U.S.A.

R.S. Fearing et al., "A Tactile Sensing Finger Tip for a Dextrous Hand", Oct. 1986, *5th SPIE Intelligent Robotics and Computer Vision*, pp. 1-10, Cambridge, Massachusetts.

Brian S. Garra, et al. "Elastography of Breast Lesions: Initial Clinical Results" 1997, *Radiology*, vol. 202, pp. 69-86.

F. Kallel et al., "Fundamental Limitations on the Contrast-Transfer Efficiency in Elastography: an Analytic Study", 1996, *Ultrasound in Med. & Biol.*, vol. 22, No. 4, pp. 463-470.

Dr. Ricki Lewis, "New Imaging Technology May Detect Early Cancer", *Biophotonics in Action*, Oct. 1996, *Photonics Spectra*, pp. 52-53.

G. Piperno et al., "Breast Cancer Screening by Impedance Measurements", 1990, *Frontiers Med. Biol. Engng.* vol. 2, No. 2, pp. 111-117.

G.I. Pressman et al., "A Transducer for the Continuous External Measurement of Arterial Blood Pressure", 1960s, *IEEE Transactions on Bio-Medical Electronics*.

(List continued on next page.)

*Primary Examiner*—Stella Reid  
*Assistant Examiner*—I Simmons  
*Attorney, Agent, or Firm*—Fish & Richardson P.C.

[57] **CLAIM**

The ornamental design for a hand-held tissue examination device, as shown and described.

**DESCRIPTION**

FIG. 1 is a front perspective view of a hand-held tissue examination device;

FIG. 2 is a back elevational view thereof

FIG. 3 is a front elevational view thereof;

FIG. 4 is a right side elevational view thereof;

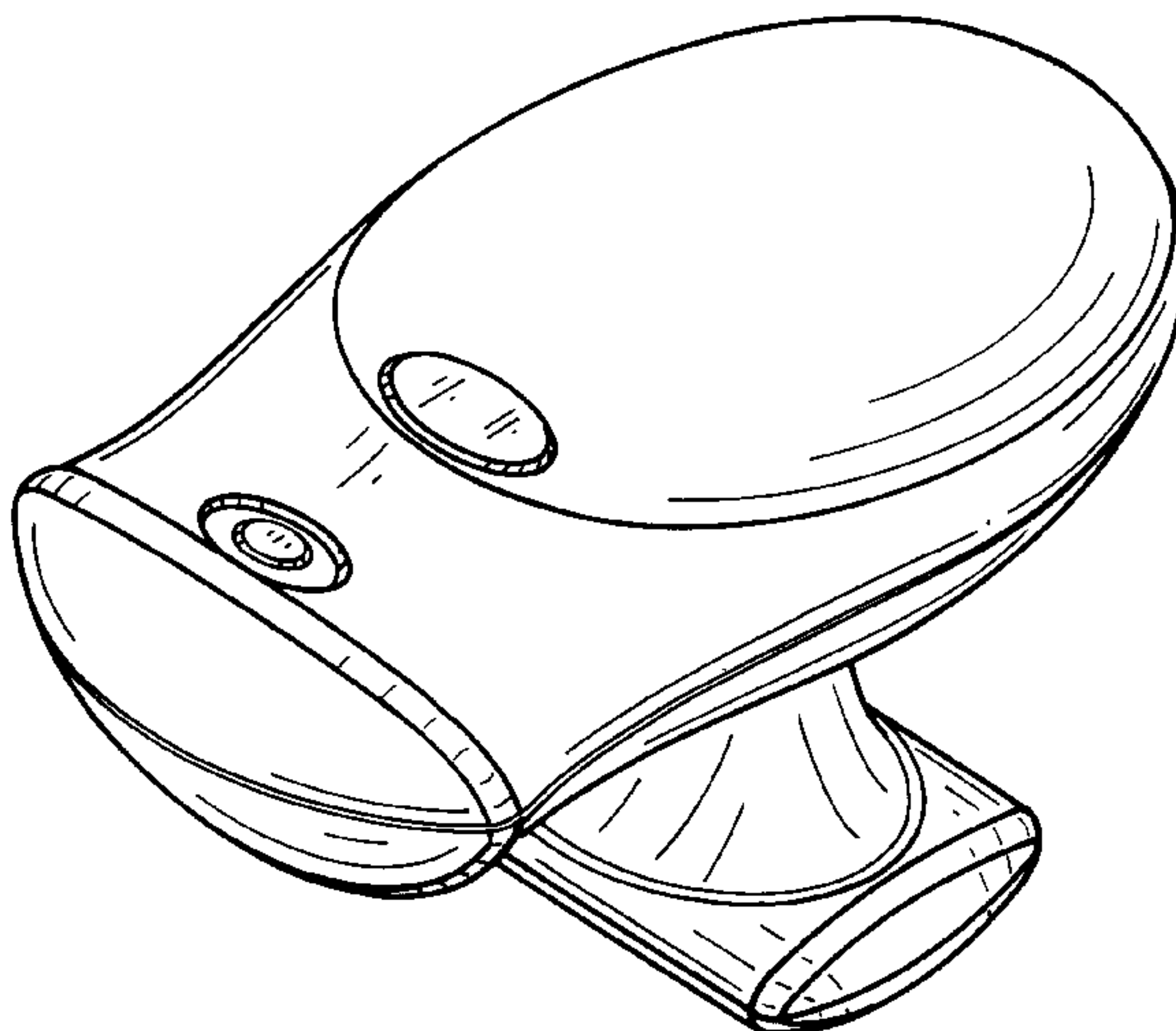
FIG. 5 is a left side elevational view thereof;

FIG. 6 is a top elevational view thereof;

FIG. 7 is a bottom elevational view thereof; and,

FIG. 8 is a bottom perspective view thereof.

**1 Claim, 5 Drawing Sheets**



## U.S. PATENT DOCUMENTS

3,308,476	3/1967	Kleesattel .		5,099,848	3/1992	Parker et al. ....	128/661.07
3,323,352	6/1967	Branson .		5,140,989	8/1992	Lewis et al. ....	128/665
3,744,490	7/1973	Fernandez .....	128/2.05	5,143,079	9/1992	Frei et al. ....	128/734
3,847,139	11/1974	Flam .....	128/2 H	5,212,637	5/1993	Saxena .....	364/413.26
3,854,471	12/1974	Wild .....	128/2 V	5,221,269	6/1993	Miller et al. ....	604/281
3,880,145	4/1975	Blick .....	128/2.05	5,265,612	11/1993	Sarvazyan et al. ....	128/660.01
3,970,862	7/1976	Edelman et al. ....	307/88 ET	5,273,046	12/1993	Butterfield .....	600/485
3,972,227	8/1976	Tomilov .....	73/67.7	5,301,681	4/1994	DeBan et al. ....	128/736
3,996,922	12/1976	Basham .....	128/2 R	5,301,682	4/1994	Debbas .....	128/737
4,001,951	1/1977	Fasse .....	35/17	5,333,612	8/1994	Wild .....	128/660.9
4,023,562	5/1977	Hyneczek et al. ....	128/2.05 E	5,366,852	11/1994	Sharkawy .....	600/461
4,025,165	5/1977	Sollish et al. ....	350/161 S	5,511,561	4/1996	Wanderman et al. .	
4,132,224	1/1979	Randolph .....	128/2 S	5,524,636	6/1996	Sarvazyan et al. ....	128/660.9
4,134,218	1/1979	Adams et al. ....	35/17	5,678,565	10/1997	Sarvazyan .	
4,135,497	1/1979	Meyers et al. ....	128/2 H	5,785,663	7/1998	Sarvazyan .....	600/587
4,144,877	3/1979	Frei et al. ....	128/2 S	5,807,257	9/1998	Bridges .....	600/430
4,159,640	7/1979	Leveque et al. ....	73/81	5,833,634	11/1998	Laird .	
4,190,058	2/1980	Sagi .....	128/736				
4,212,306	7/1980	Mahmud .....	128/665				
4,219,708	8/1980	Rubey .....	200/61.47				
4,250,894	2/1981	Frei et al. ....	128/774				
4,286,602	9/1981	Guy .....	128/665				
4,291,708	9/1981	Frei et al. ....	128/734				
4,346,717	8/1982	Haerten .....	600/461				
4,458,694	7/1984	Sollish et al. ....	128/734				
4,503,865	3/1985	Shishido .....	128/774				
4,524,778	6/1985	Brown, Jr. et al. ....	128/736				
4,555,953	12/1985	Dario et al. ....	73/862.04				
4,570,638	2/1986	Stoddart et al. ....	128/665				
4,600,011	7/1986	Watmough .....	128/664				
4,641,659	2/1987	Sepponen .....	128/653				
4,641,661	2/1987	Kalarickal .....	128/744				
4,651,749	3/1987	Sagi .....	128/736				
4,657,021	4/1987	Perry et al. ....	128/630				
4,729,378	3/1988	Trittenbass .....	128/645				
4,737,109	4/1988	Abramson .....	434/267				
4,768,516	9/1988	Stoddart et al. ....	128/665				
4,774,961	10/1988	Carr .....	128/736				
4,793,354	12/1988	Wright et al. ....	128/630				
4,807,637	2/1989	Bjorkhom .....	128/664				
4,810,875	3/1989	Wyatt .....	250/227				
4,817,623	4/1989	Stoddart et al. ....	128/665				
4,873,982	10/1989	Morrison .....	128/630				
4,886,070	12/1989	Demarest .					
4,944,298	7/1990	Sholder .					
5,005,581	4/1991	Honeyager .....	600/485				
5,010,772	4/1991	Bourland et al. ....	73/862.04				
5,012,817	5/1991	Zeilinski et al. ....	128/744				
5,079,698	1/1992	Grenier et al. ....	364/413.13				

## OTHER PUBLICATIONS

Martin Feder et al., "Transducer Characteristics for Ultrasonic Stereoholography", Dec. 1976, Bull. N.Y. Acad. Med., vol. 52, No. 10, pp. 1207-1223.

B.D. Sollish et al., "Microprocessor-Assisted Screening Techniques", 1981, Israel J. Med. Sci., pp. 859-864, Israel.

R.G. Stevens et al., "The use of Difference of Gaussian Image Filtering to Assess Objectively the Correlations Between Breast Vascularity and Breast Cancer", 1988, Phys. Med. Biol., vol. 33, No. 12, pp. 1417-1431, U.K.

Sarvazyan, A. "Knowledge-Based Mechanical Imaging of the Prostate", Medical Technologies & Programs: A Forecast for the Future, Aug. 14-17, pp. 87-94, 1997.

Sarvazyan, A., "Knowledge-Based Mechanical Imaging", Tenth IEEE Symposium on Computer-Based Medical Systems, Jun. 11-13, pp. 120-125, 1997.

Cundari et al., "Calibrating Pressure Sensors", U.S. Ser. No. 08/943,344, filed Oct. 03, 1997.

Cundari et al., "Tissue Examination", U.S. Ser. No. 08/757,466, filed Nov. 27, 1996.

Cundari et al., "Tissue Examination", U.S. Ser. No. 08/782,442, filed Jan. 17, 1997.

Cundari et al., "Clinical Tissue Examination", U.S. Ser. No. 08/931,573, filed Sep. 16, 1997.

Cundari et al., "Diagnosis and Treatment of Tissue with Instruments", U.S. Ser. No. 08/950,167, filed Oct. 14, 1997.

Cundari et al., "Layer of Material for use with Tissue Examination Device", U.S. Ser. No. 08/954,454, filed Oct. 20, 1997.



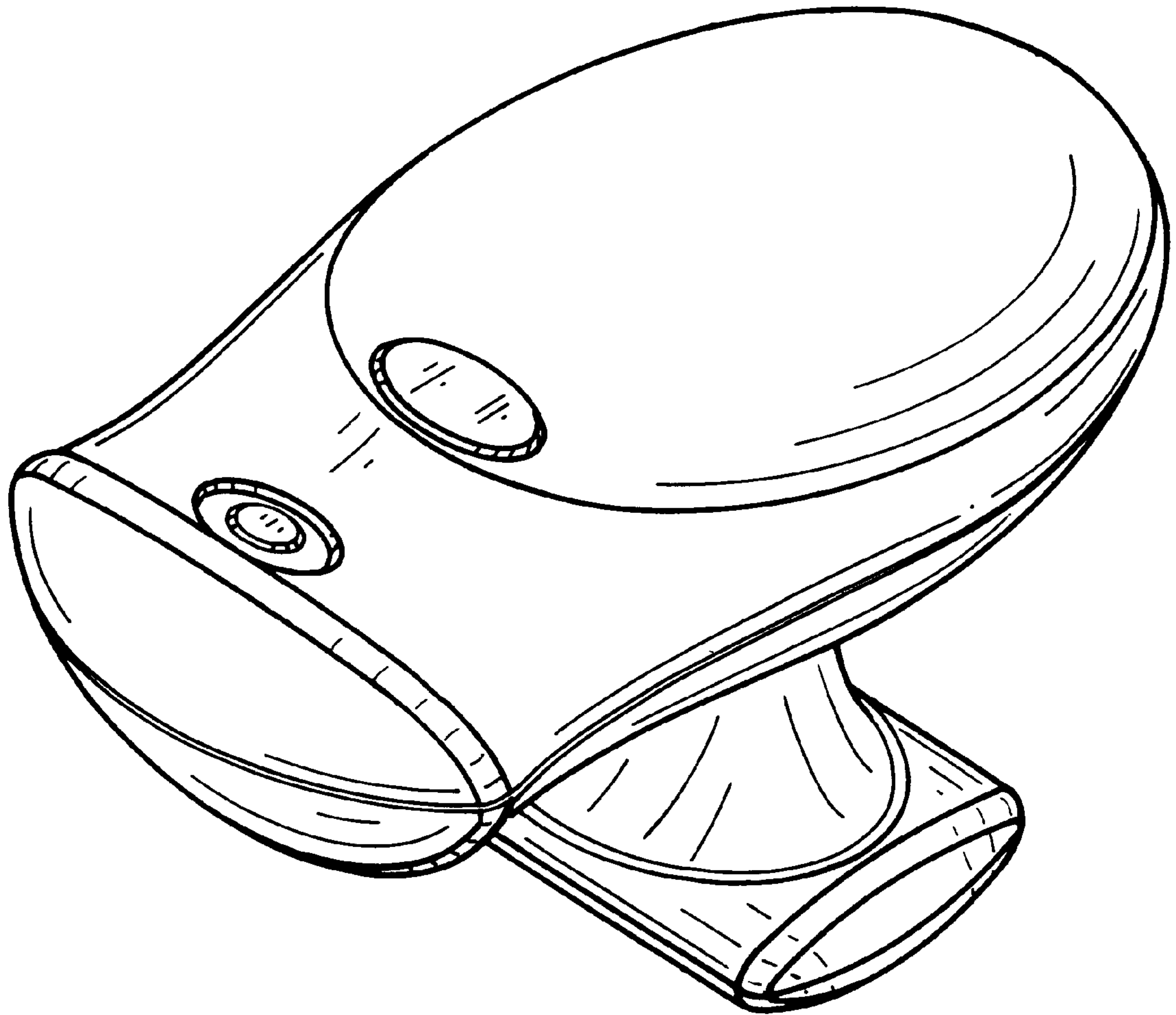
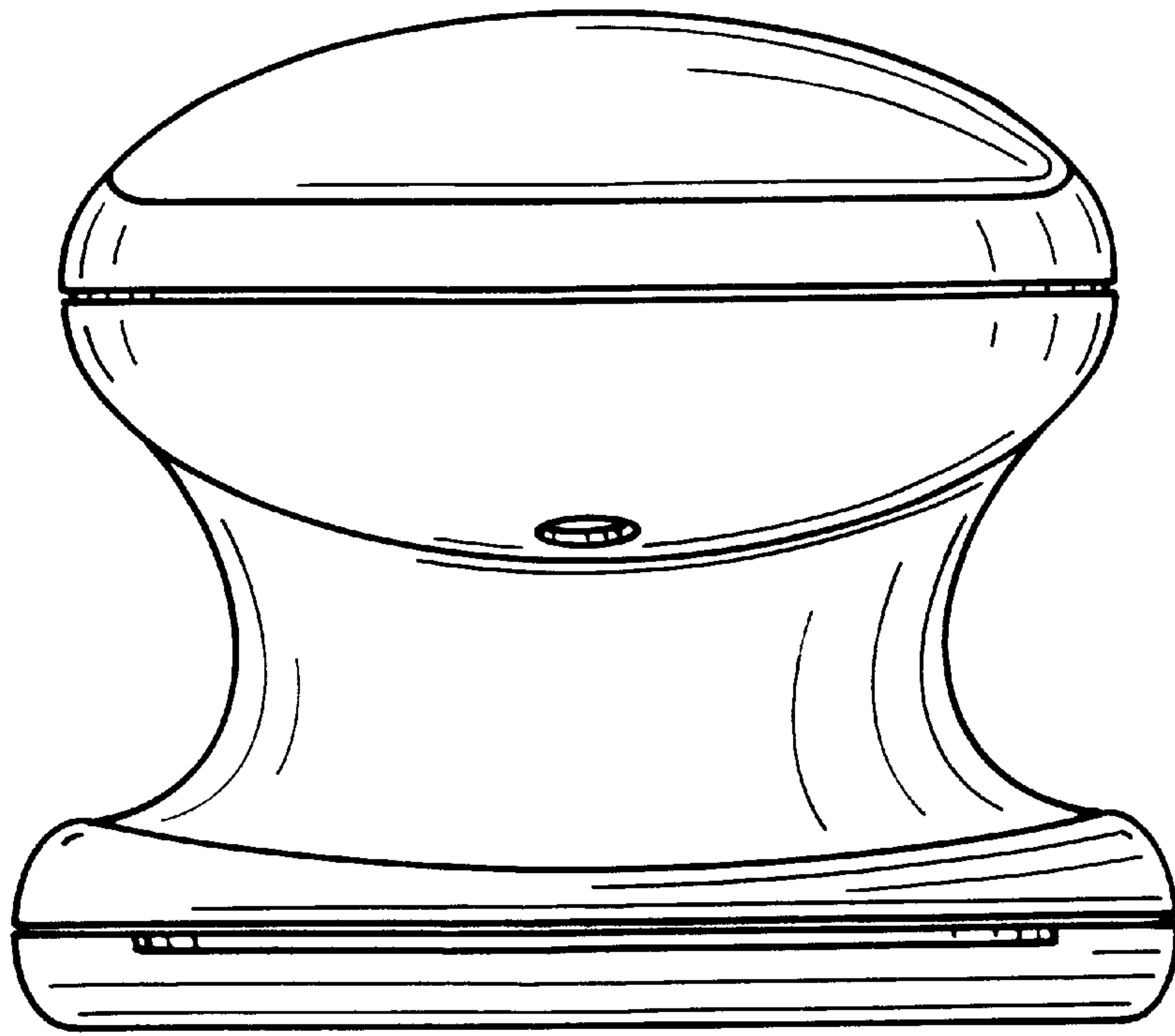
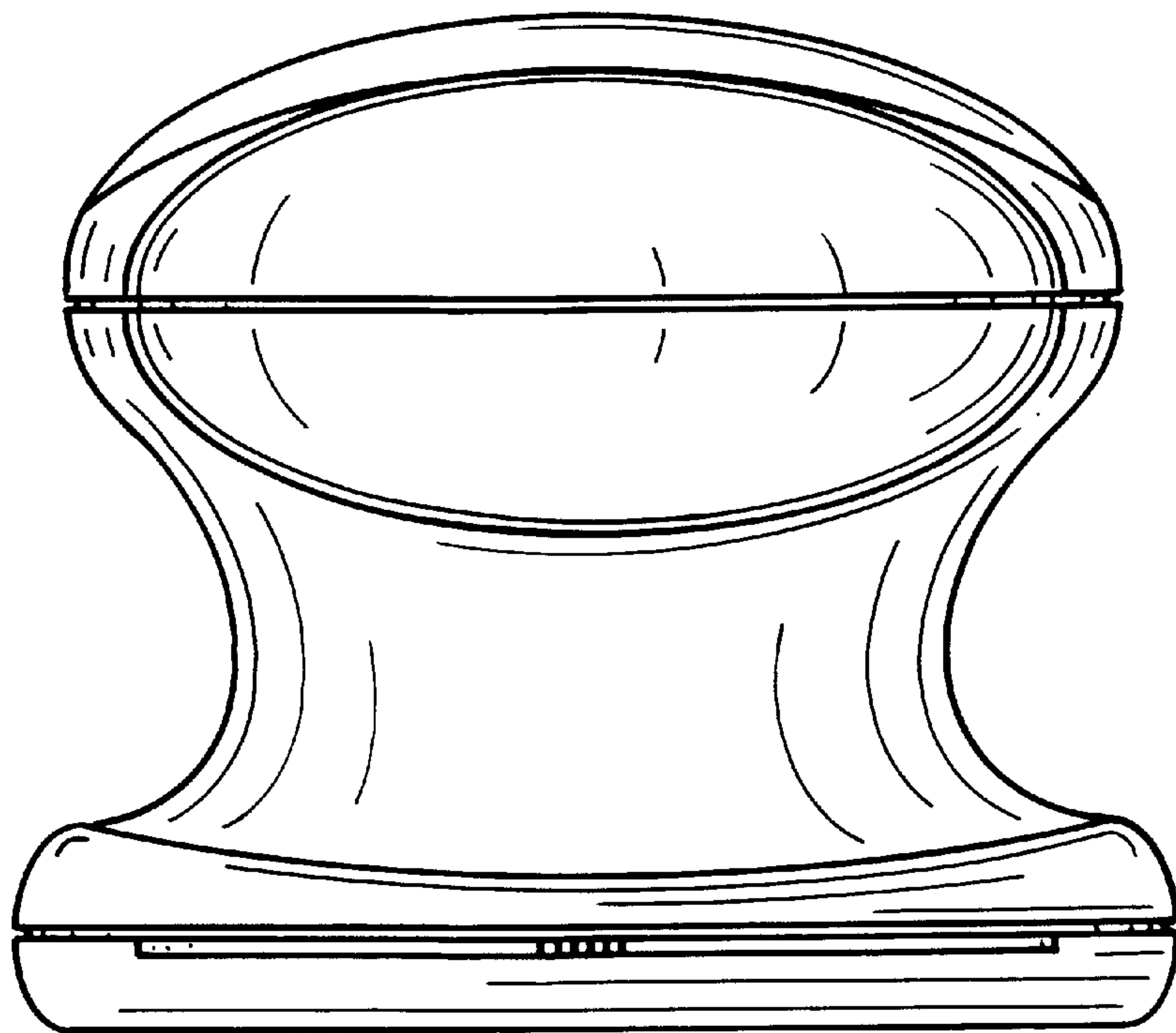


FIG. 1



**FIG. 2**



**FIG. 3**

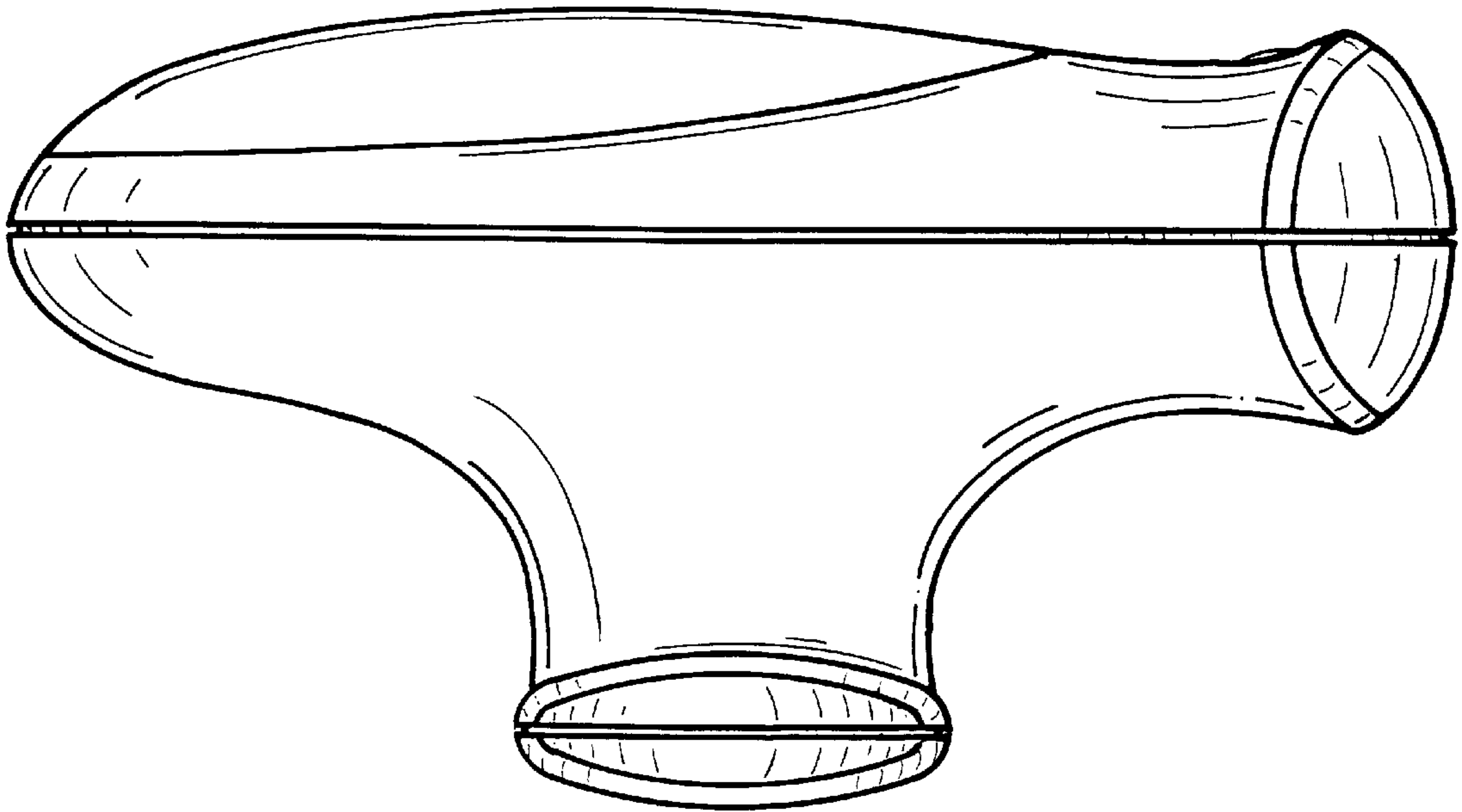


FIG. 4

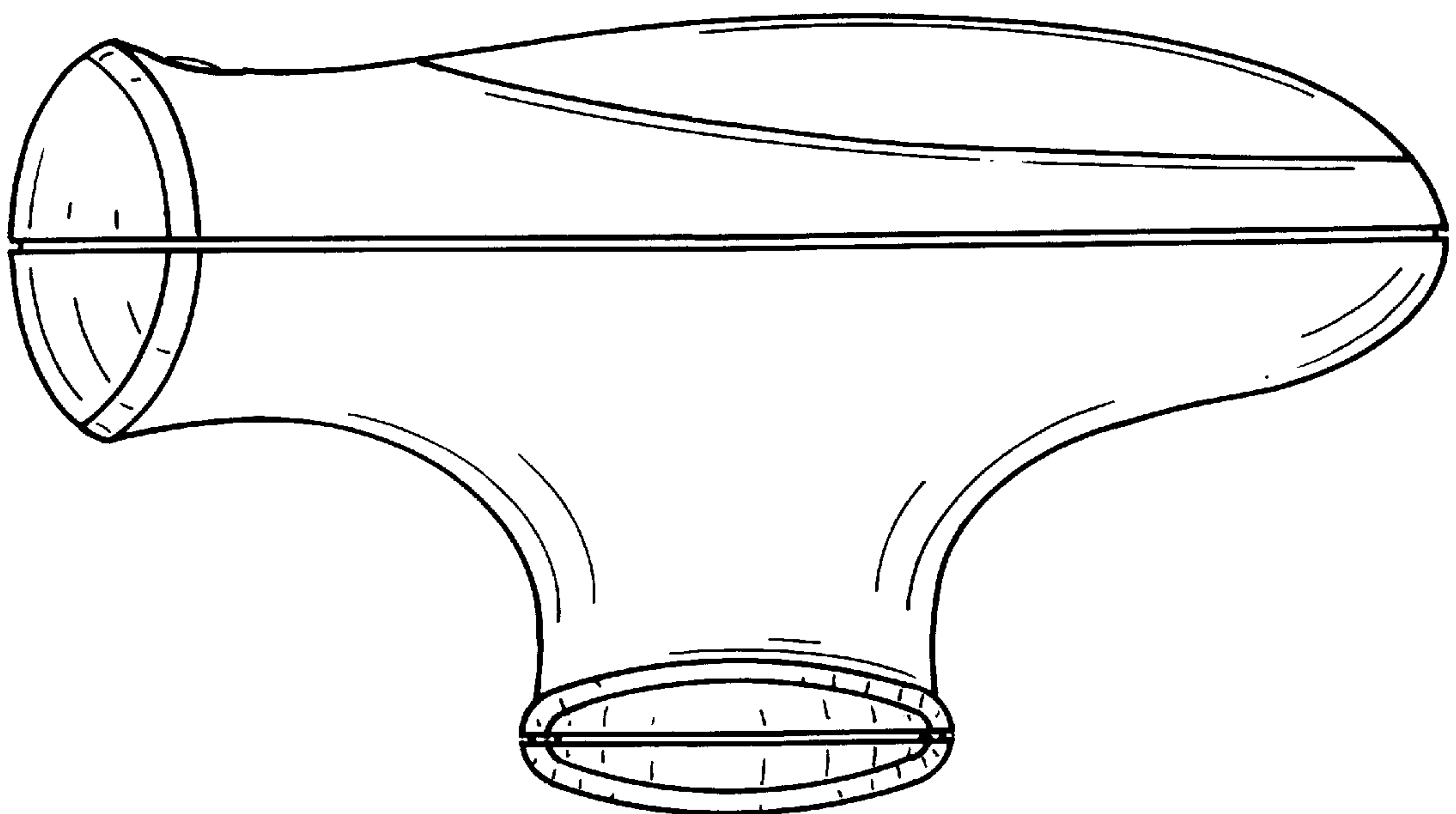


FIG. 5

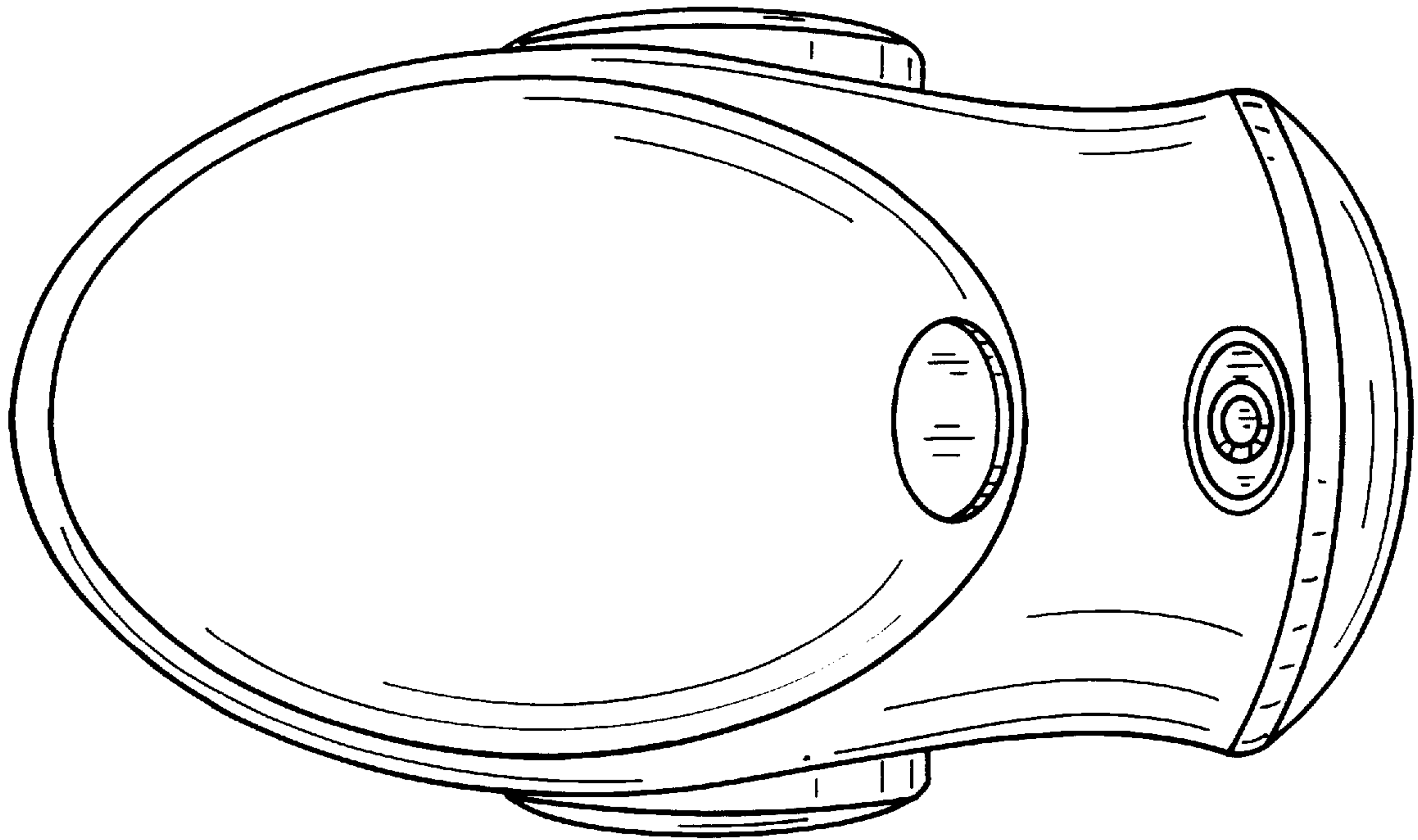


FIG. 6

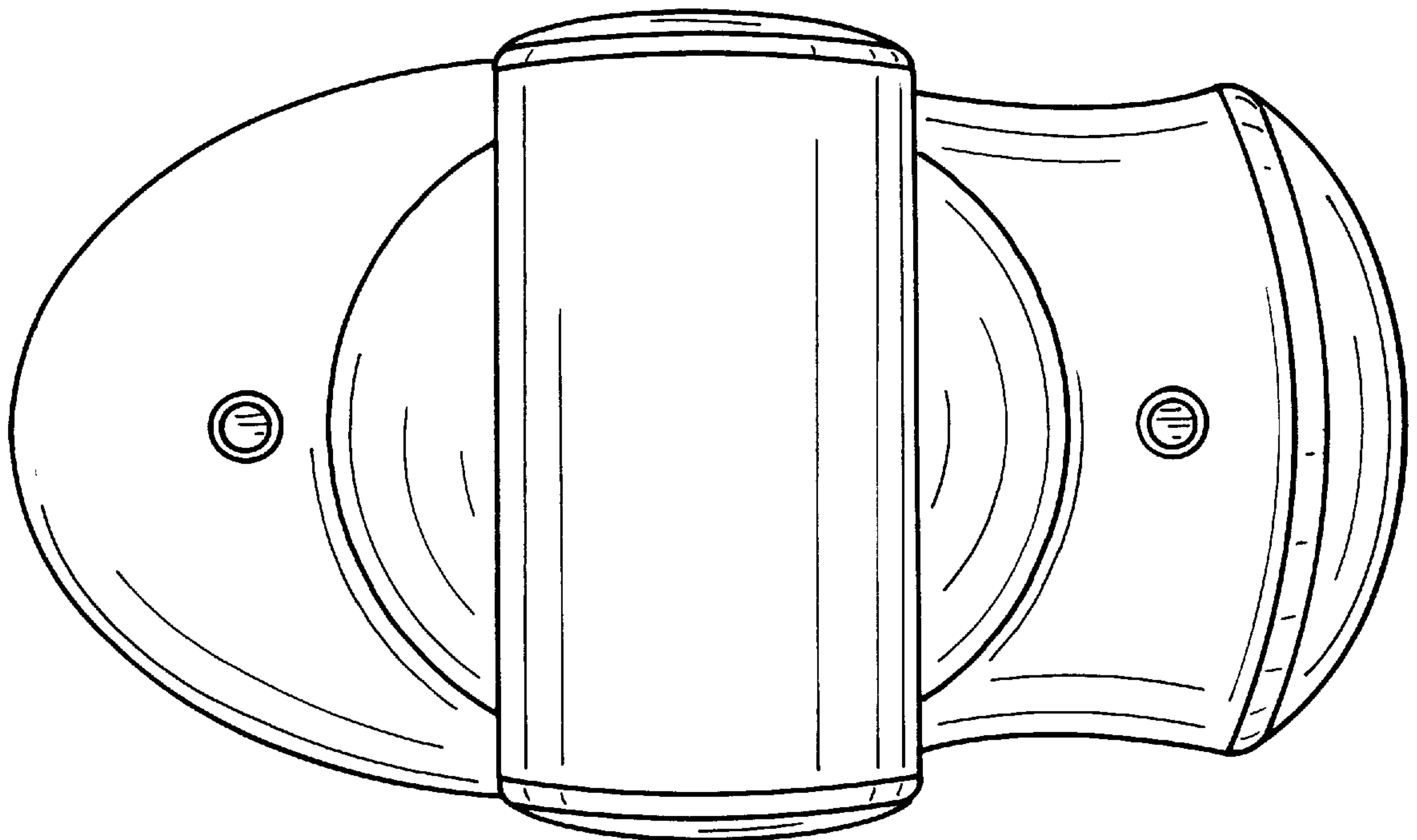


FIG. 7

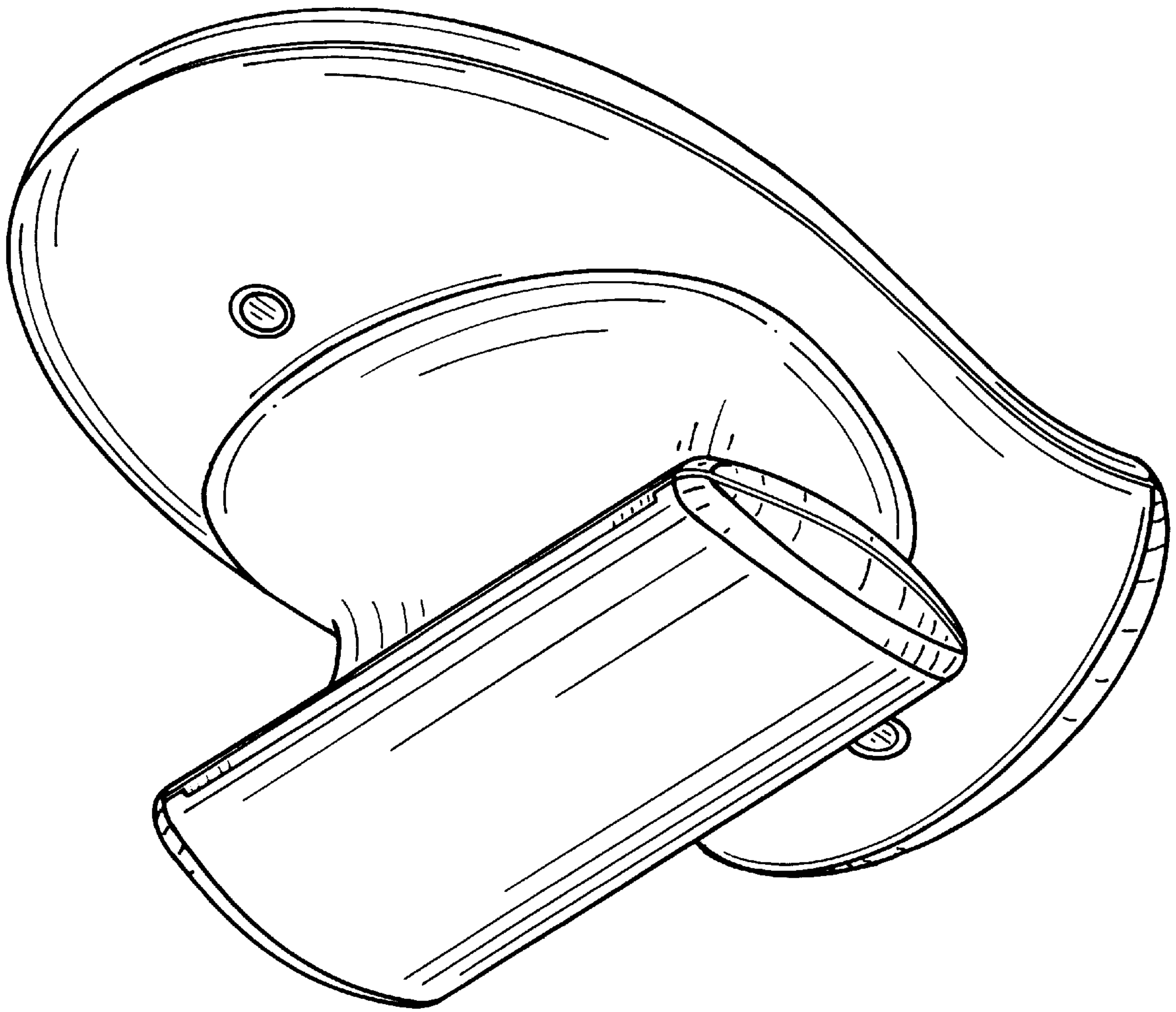


FIG. 8