



US00D425975S

**United States Patent** [19]  
**Wolfe**

[11] **Patent Number: Des. 425,975**

[45] **Date of Patent: \*\* May 30, 2000**

[54] **HUMIDIFIER**

[75] Inventor: **Robert E. Wolfe**, Holliston, Mass.

[73] Assignee: **Holmes Products, Corp.**, Milford, Mass.

[\*\*] Term: **14 Years**

[21] Appl. No.: **29/094,387**

[22] Filed: **Oct. 1, 1998**

[51] **LOC (7) Cl.** ..... **23-04**

[52] **U.S. Cl.** ..... **D23/356; D23/358; D23/360**

[58] **Field of Search** ..... **D23/356, 357, D23/358, 359, 360, 361, 362, 363; 261/91, DIG. 65; 422/120**

[56] **References Cited**

**U.S. PATENT DOCUMENTS**

D. 374,923 10/1996 Moore ..... D23/356

*Primary Examiner*—Lisa Lichtenstein  
*Attorney, Agent, or Firm*—Hoffmann & Baron, LLP;  
Francis E. Marino

[57] **CLAIM**

The ornamental design for a humidifier, as shown and described.

**DESCRIPTION**

FIG. 1 is a top perspective view of a humidifier showing my new design;

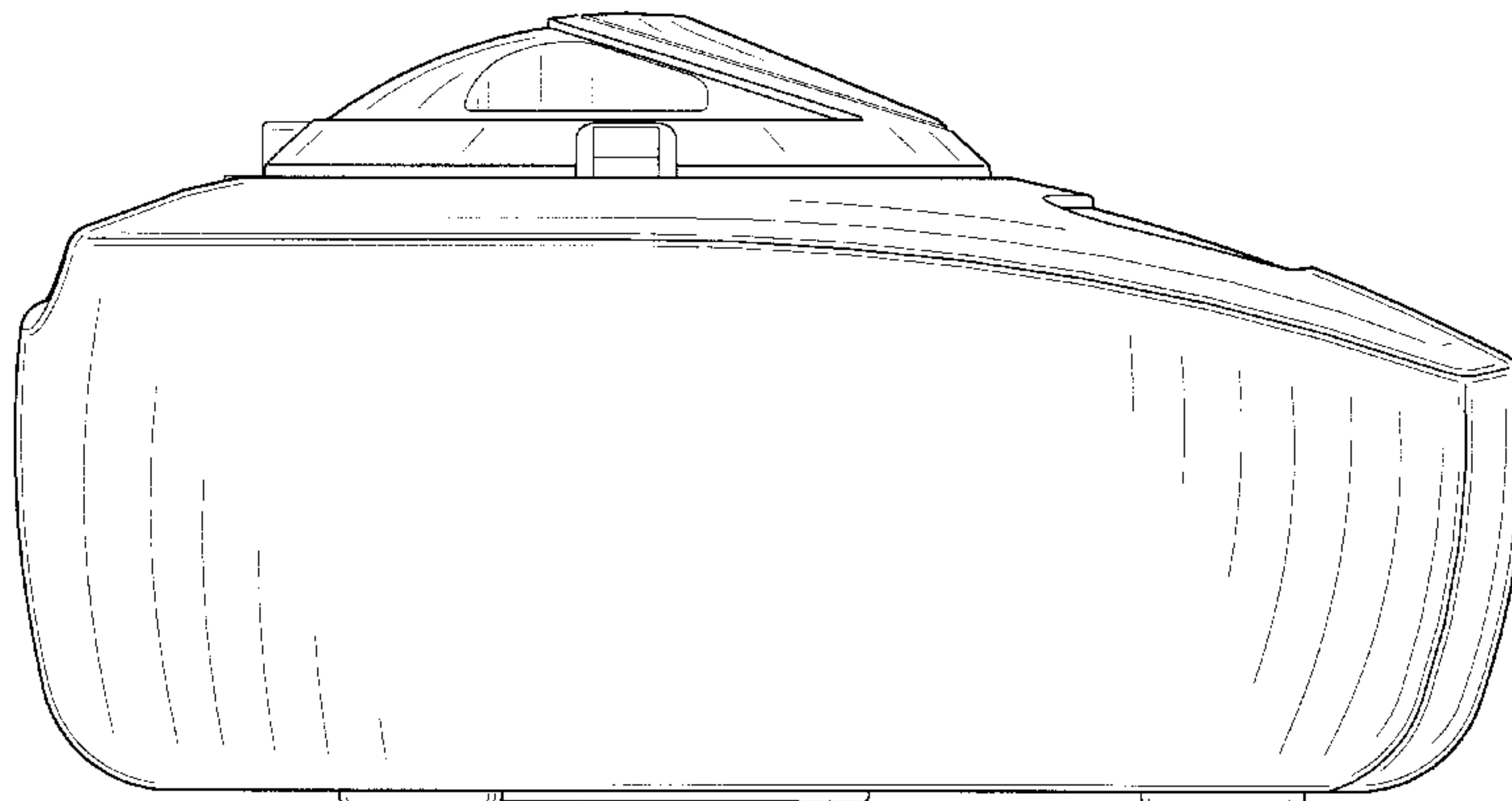
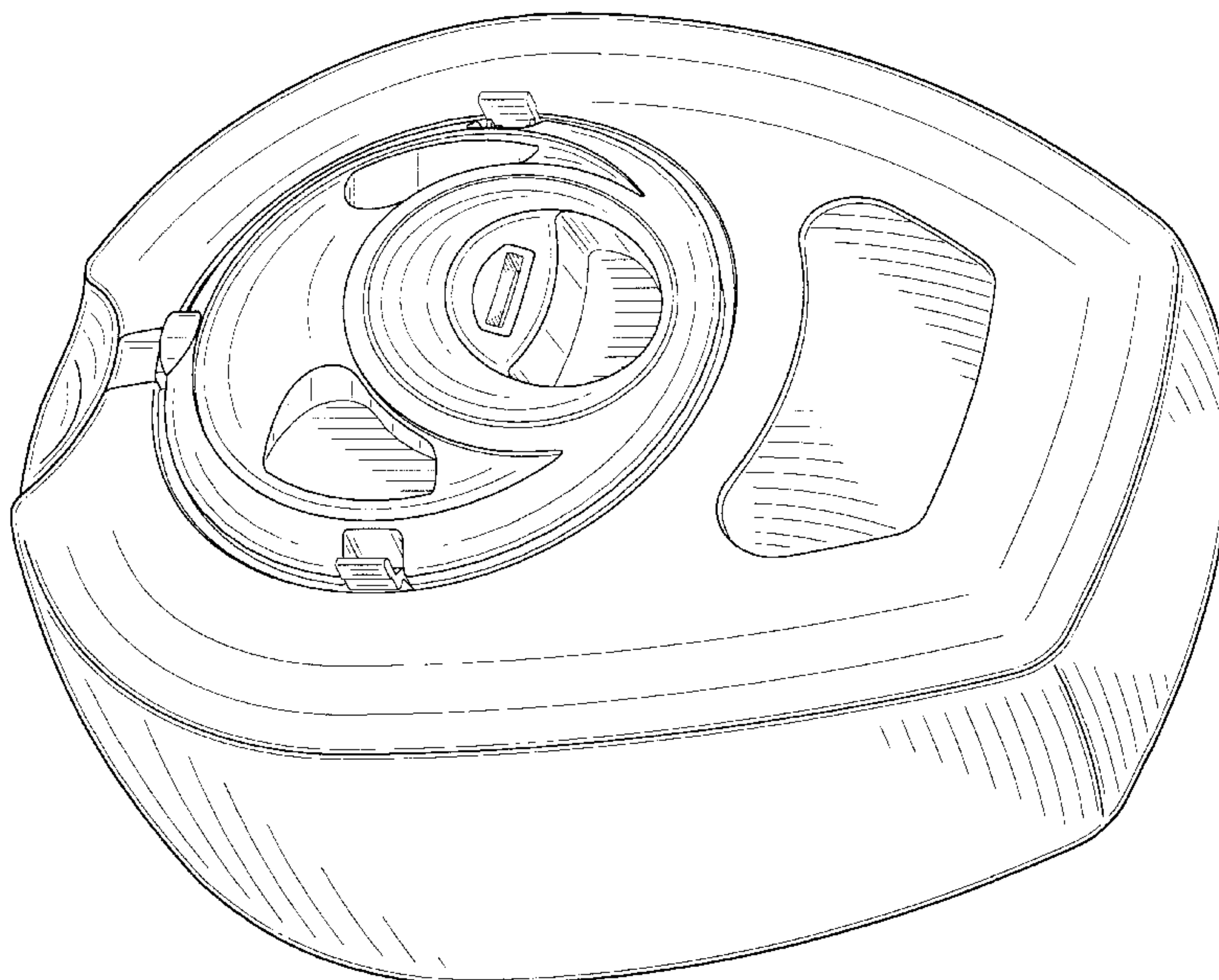
FIG. 2 is a front side elevation view thereof;

FIG. 3 is a top side elevation view thereof;

FIG. 4 is a back side elevation view thereof; and,

FIG. 5 is a left side elevation view thereof, the right side being a mirror image.

**1 Claim, 5 Drawing Sheets**



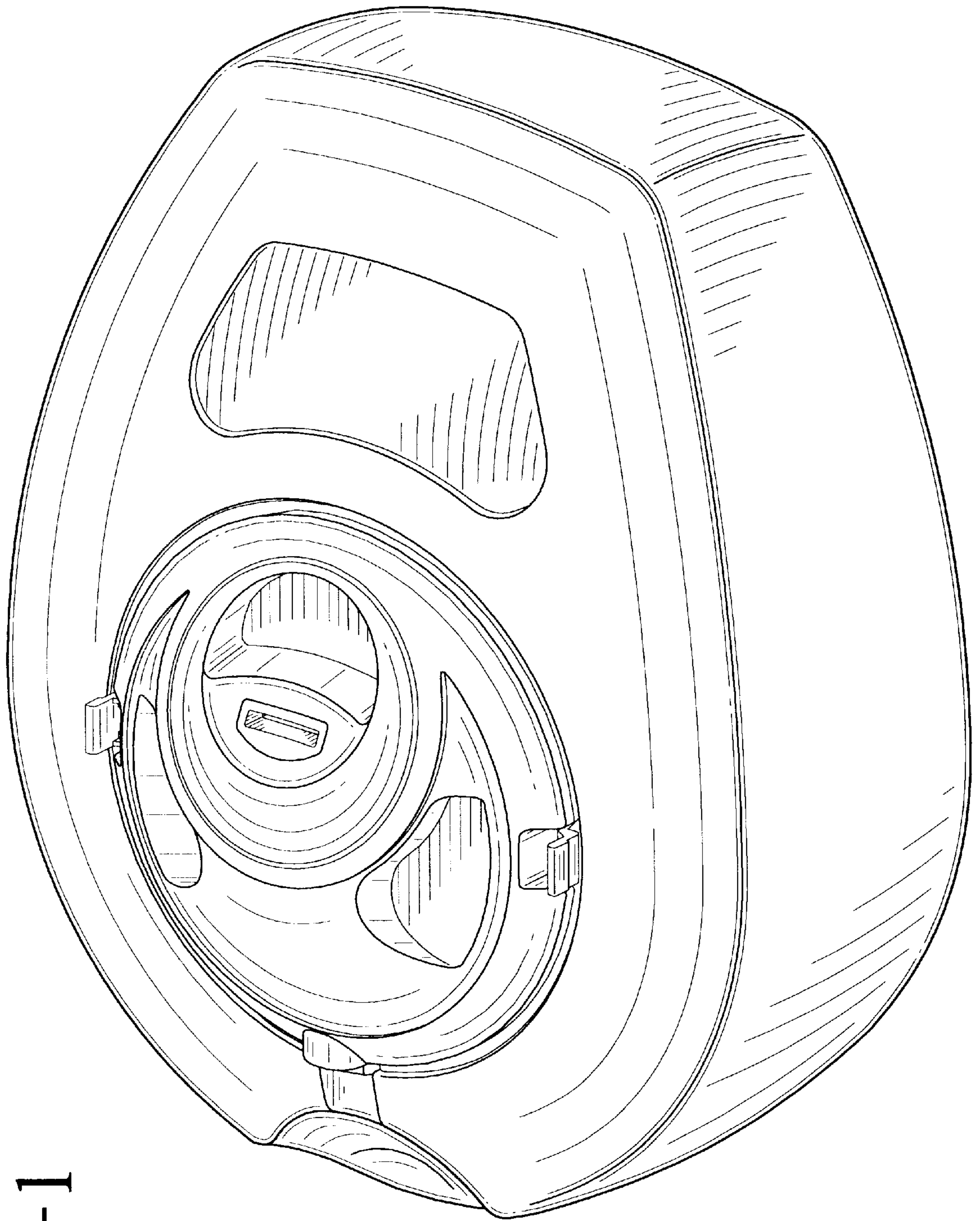


FIG-1

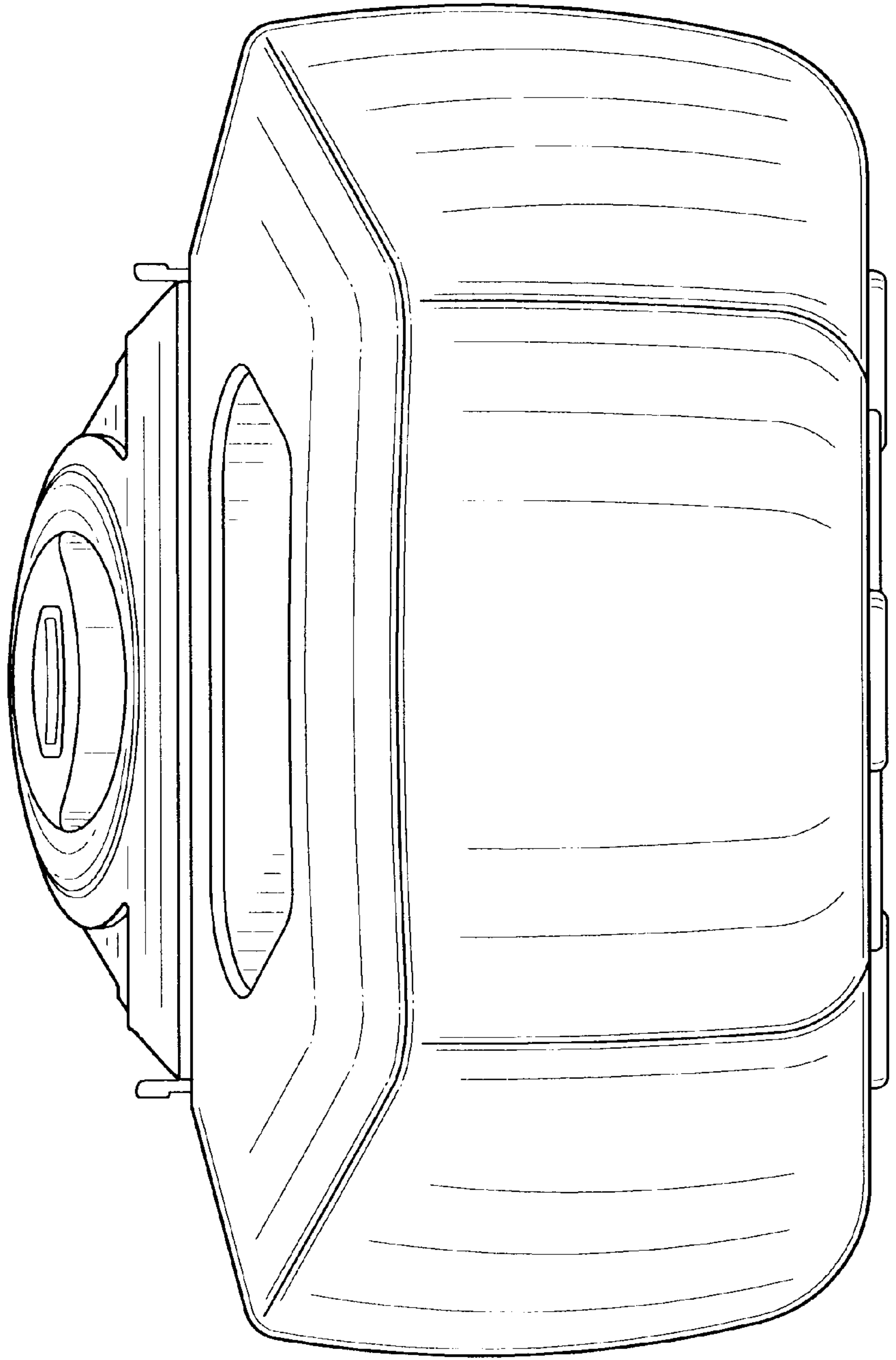


FIG-2



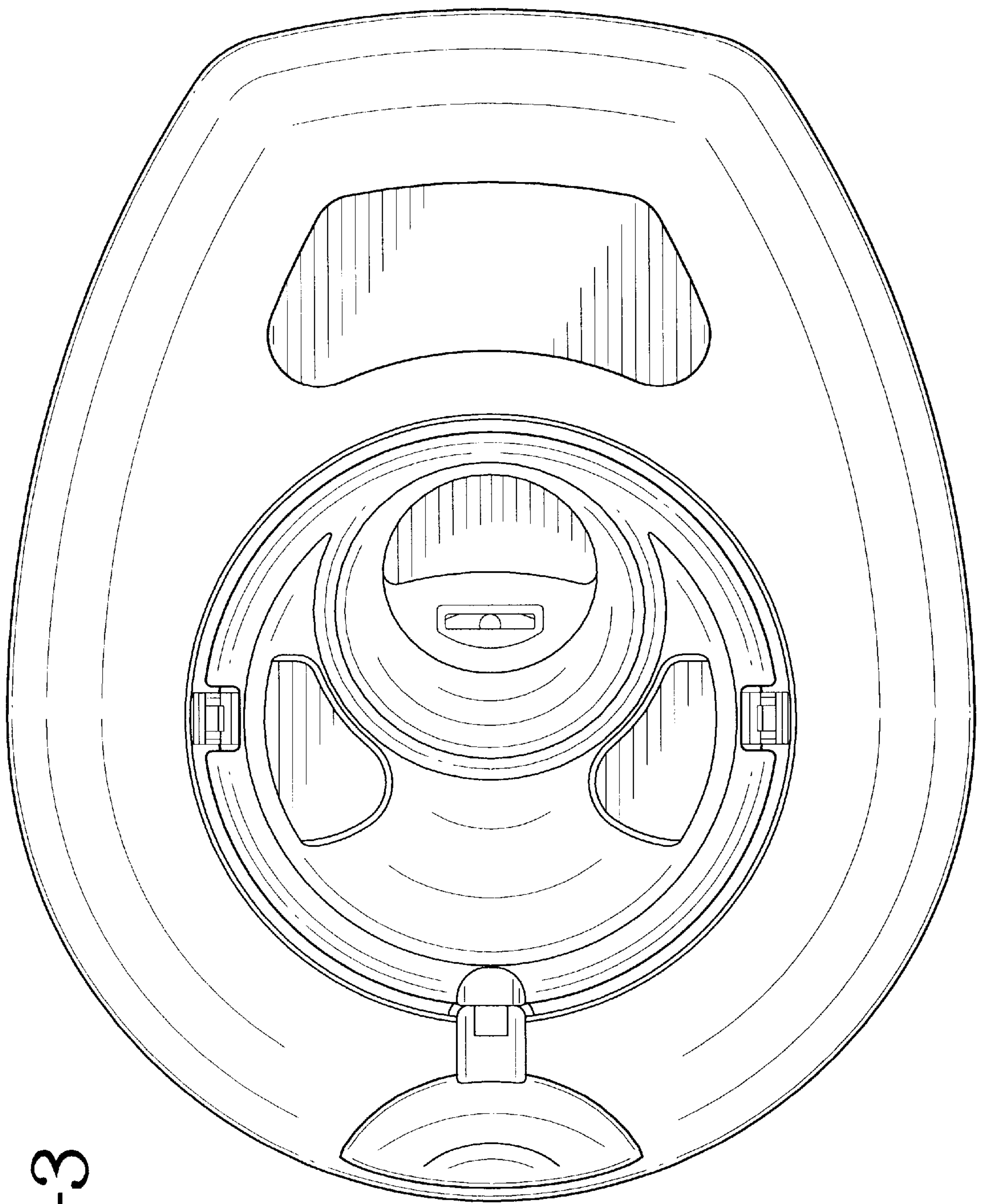


FIG-3

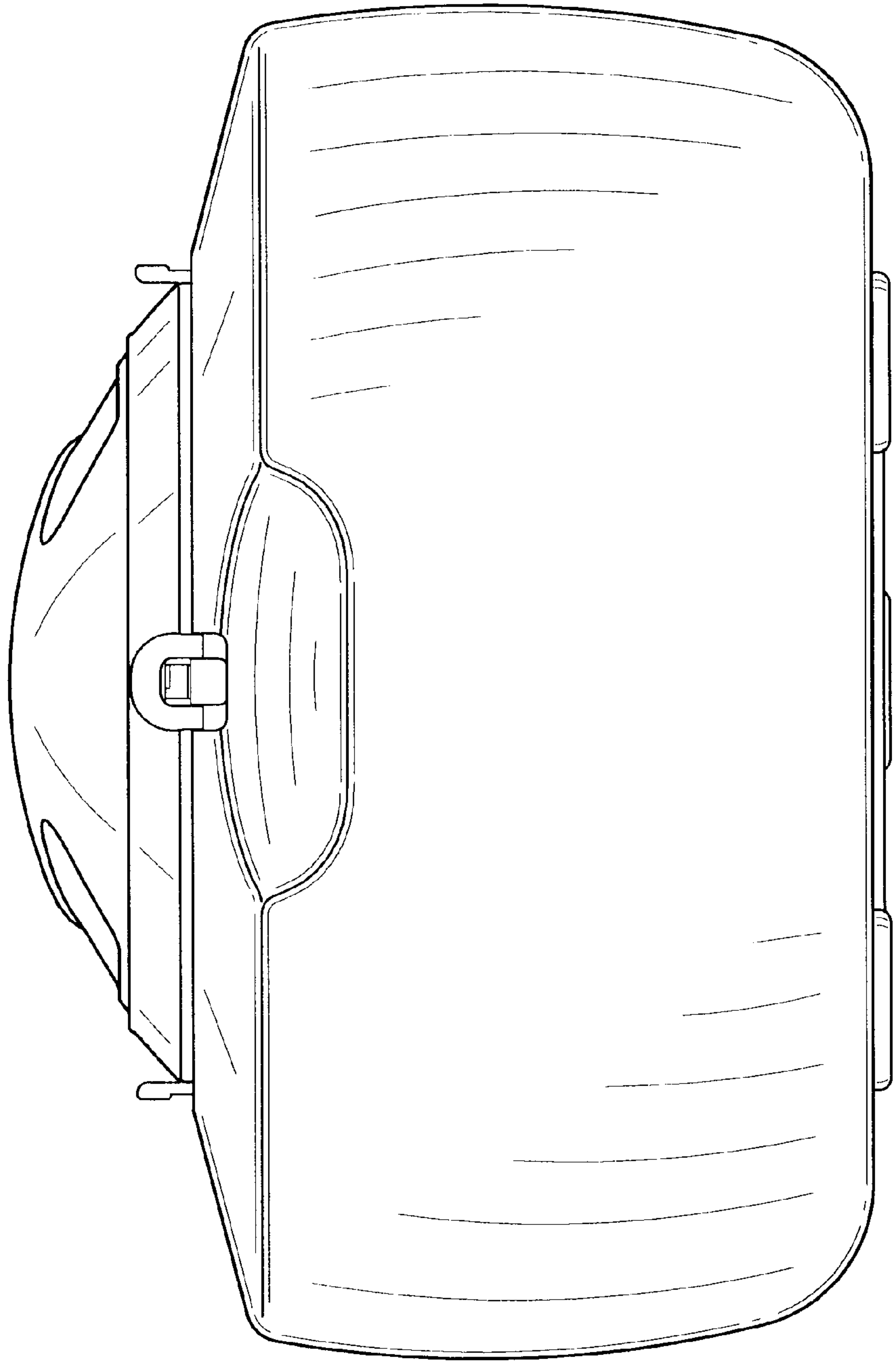


FIG-4

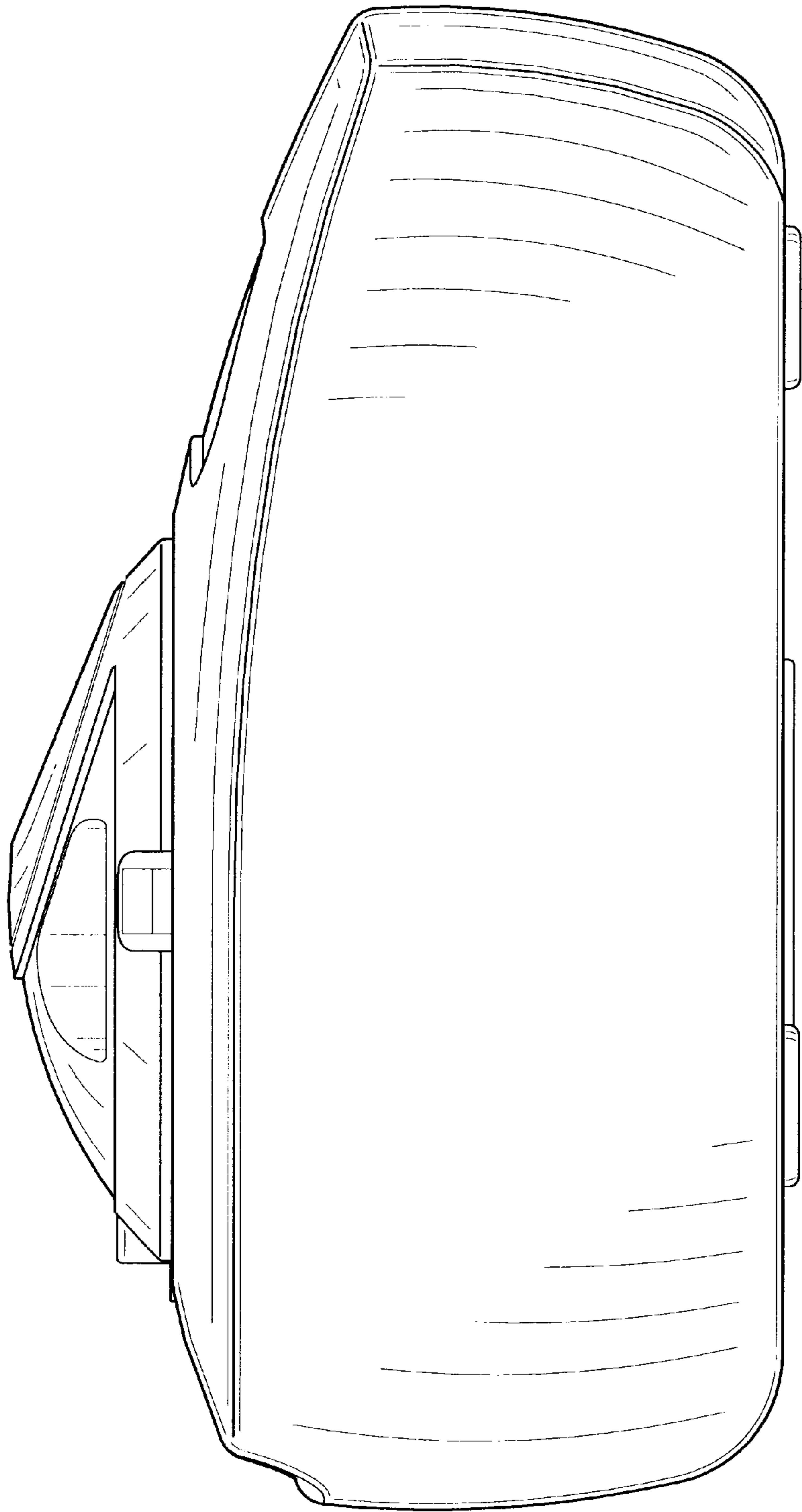


FIG-5