



US00D425971S

United States Patent [19] Chiu

[11] Patent Number: **Des. 425,971**

[45] Date of Patent: **** May 30, 2000**

[54] SINK

[75] Inventor: **Hong-Yu Chiu**, Taipei, Taiwan

[73] Assignee: **Hocheng Corporation**, Taipei, Taiwan

[**] Term: **14 Years**

[21] Appl. No.: **29/107,757**

[22] Filed: **Jul. 13, 1999**

[51] LOC (7) Cl. **23-02**

[52] U.S. Cl. **D23/284**

[58] Field of Search D23/284-293.1;
4/619, 624, 625, 626, 638-650

D. 368,959	4/1996	Kaiser	D23/293.1
D. 371,190	6/1996	Kaiser	D23/293.1
D. 385,957	11/1997	Garza	D23/284
D. 390,928	2/1998	Slothower	D23/284
D. 410,531	6/1999	Kaiser	D23/284

Primary Examiner—Eric Watterson
Attorney, Agent, or Firm—Ohlandt, Greeley Ruggiero & Perle, LLP

[57] CLAIM

The ornamental design for a sink, as shown and described.

DESCRIPTION

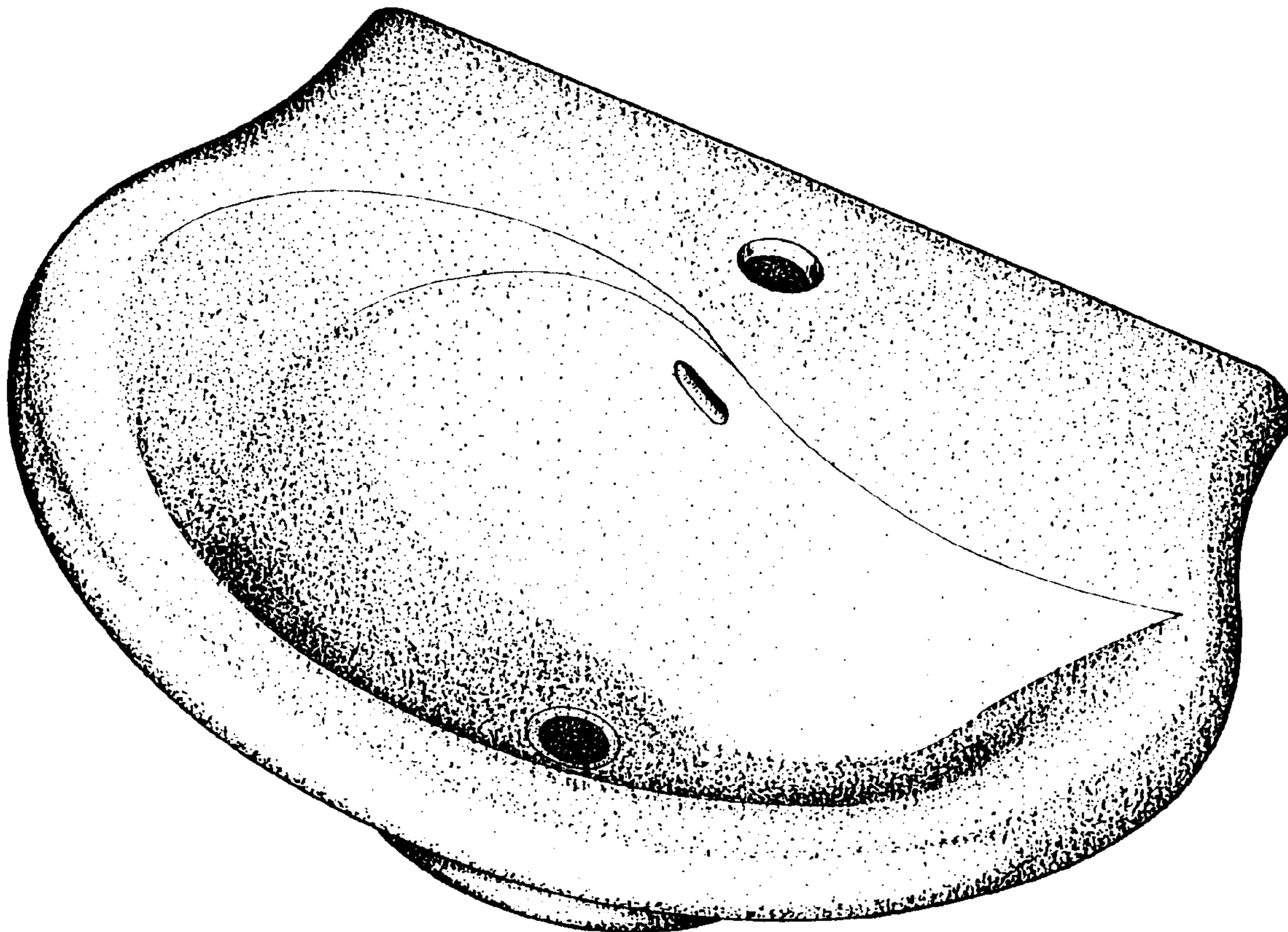
FIG. 1 is a front elevational view of a sink showing my new design;
FIG. 2 is a rear elevational view thereof;
FIG. 3 is a right side elevational view thereof;
FIG. 4 is a left side elevational view thereof;
FIG. 5 is a top plan view thereof;
FIG. 6 is a bottom plan view thereof;
FIG. 7 is a front perspective view thereof; and,
FIG. 8 is a bottom perspective view thereof.

1 Claim, 5 Drawing Sheets

[56] References Cited

U.S. PATENT DOCUMENTS

D. 295,071	4/1988	Kohler, Jr. et al.	D23/293.1
D. 314,612	2/1991	Sauter et al.	D23/293.1
D. 337,377	7/1993	Bonnell et al.	D23/284
D. 340,969	11/1993	Kohler, Jr. et al.	D23/293.1
D. 340,970	11/1993	Kohler, Jr. et al.	D23/293.1
D. 351,460	10/1994	Kohler, Jr. et al.	D23/284



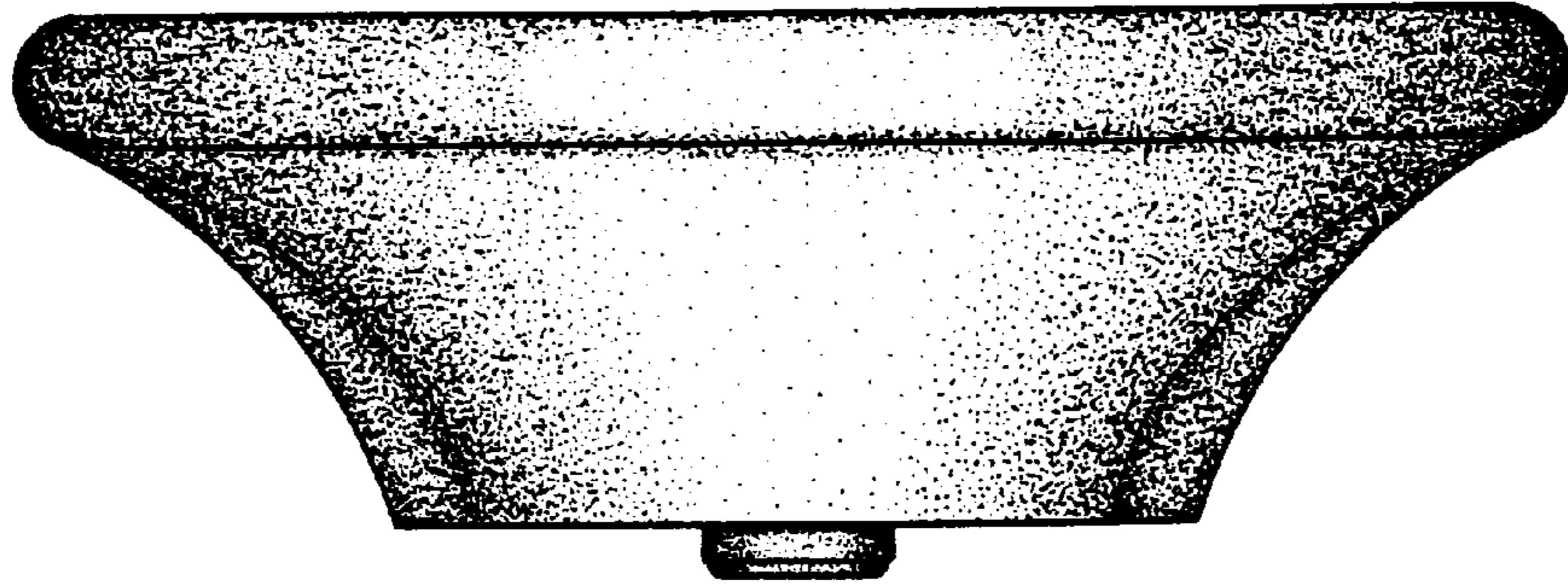


FIG. 1

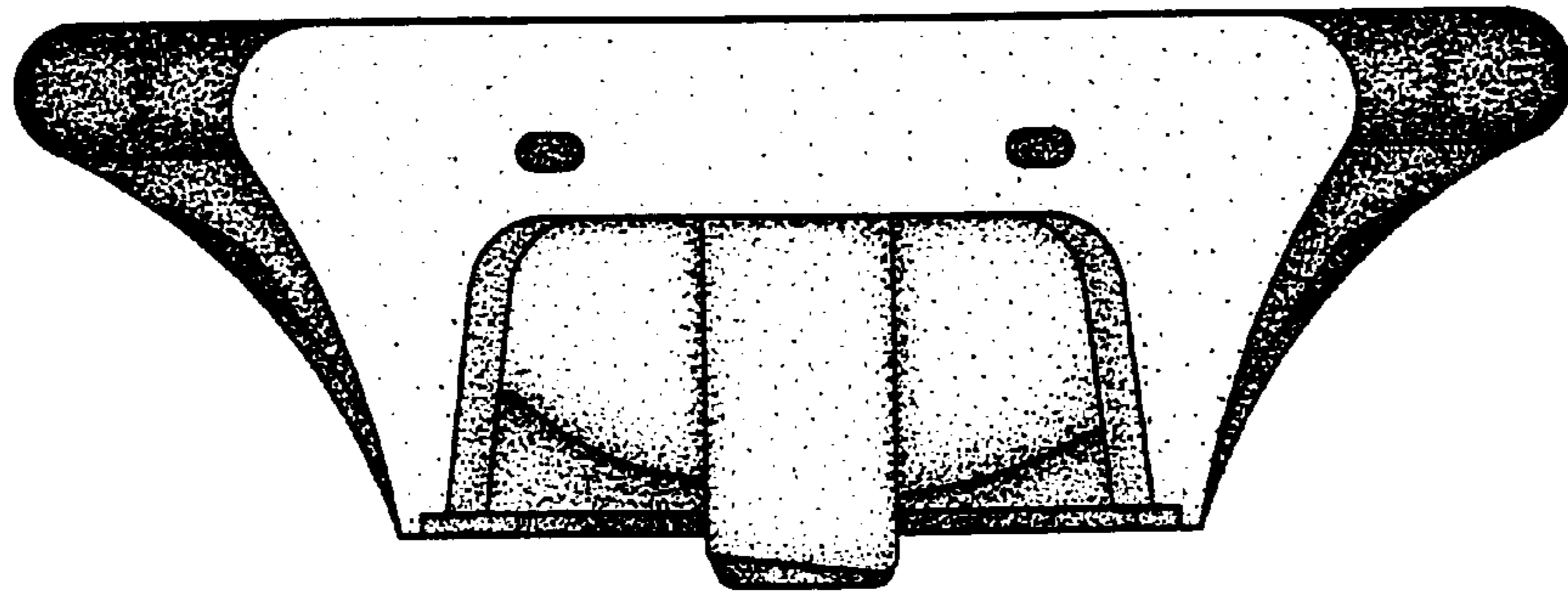


FIG. 2

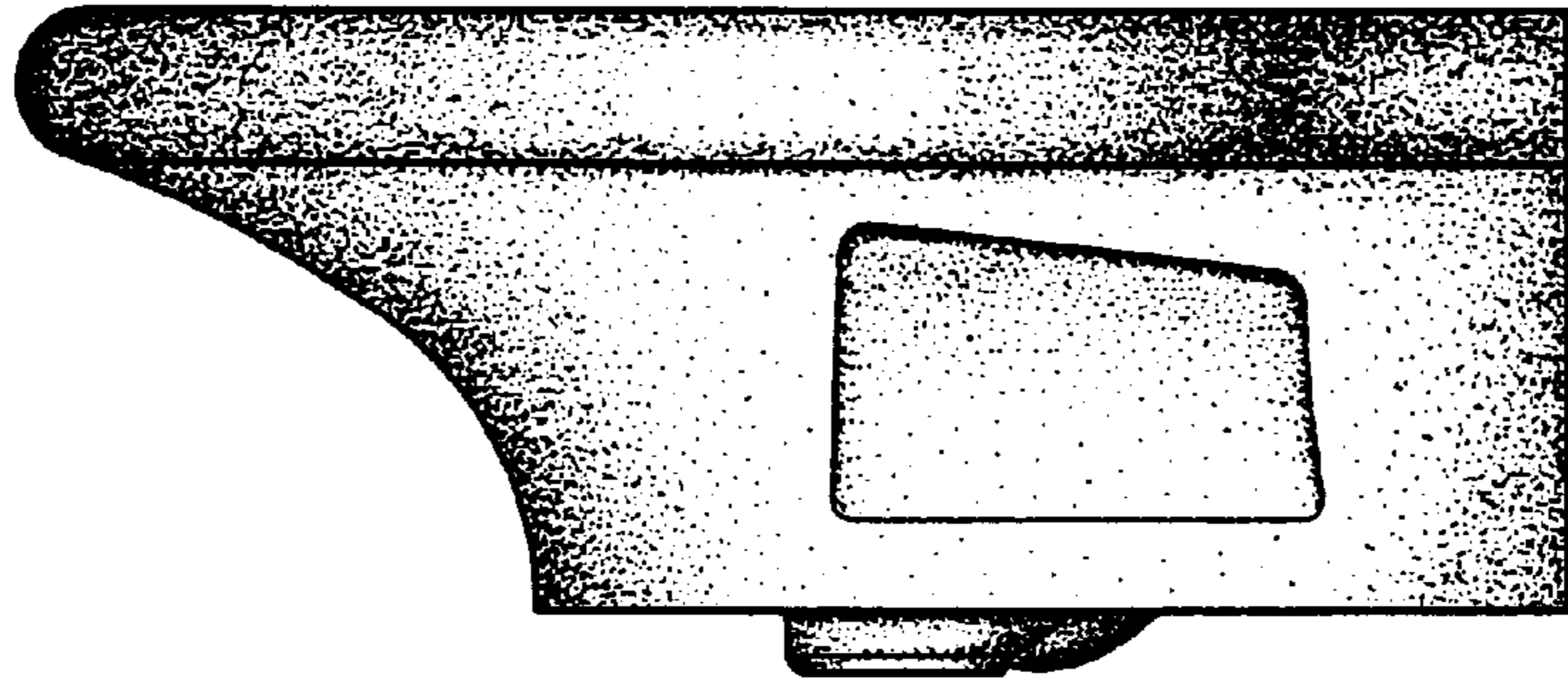


FIG. 3

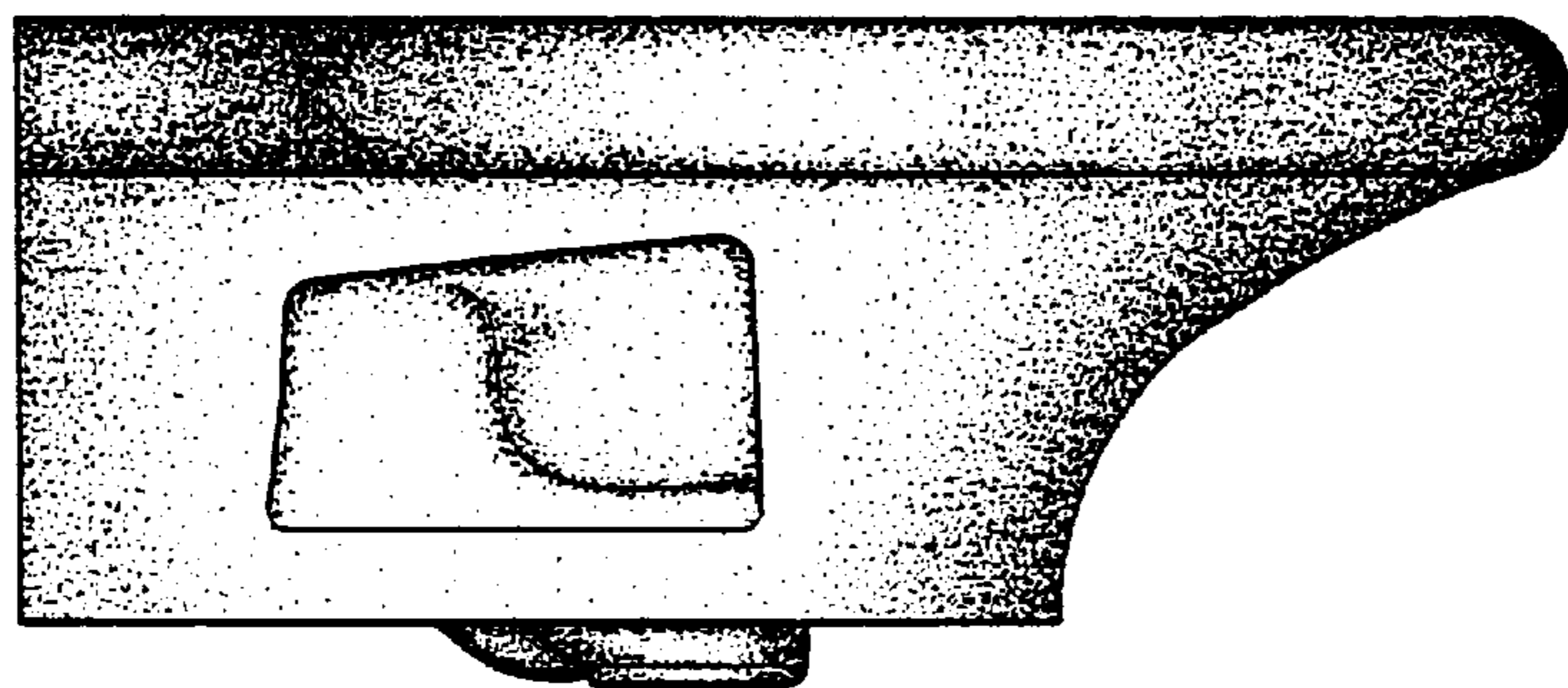


FIG. 4

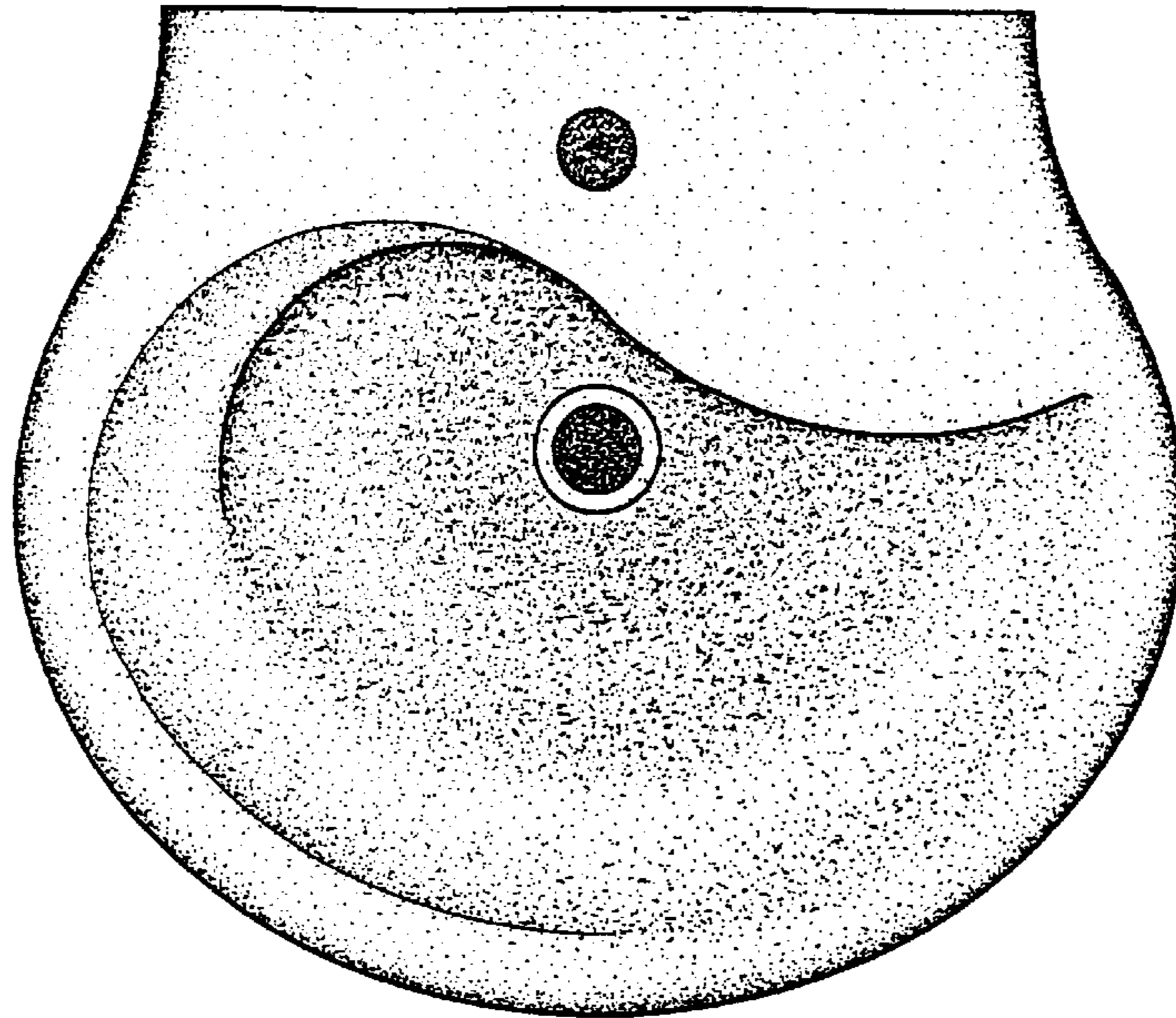


FIG. 5

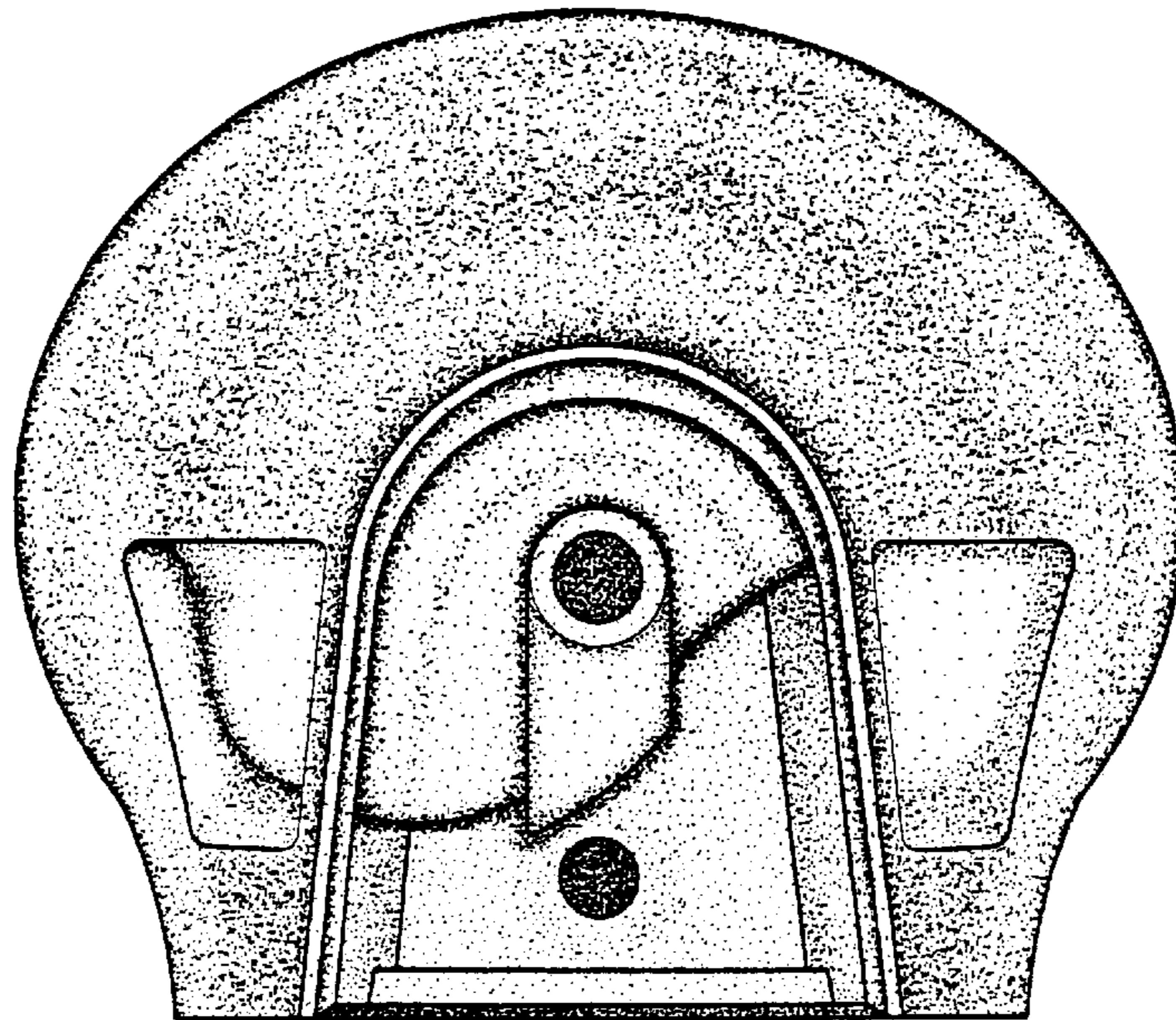


FIG. 6

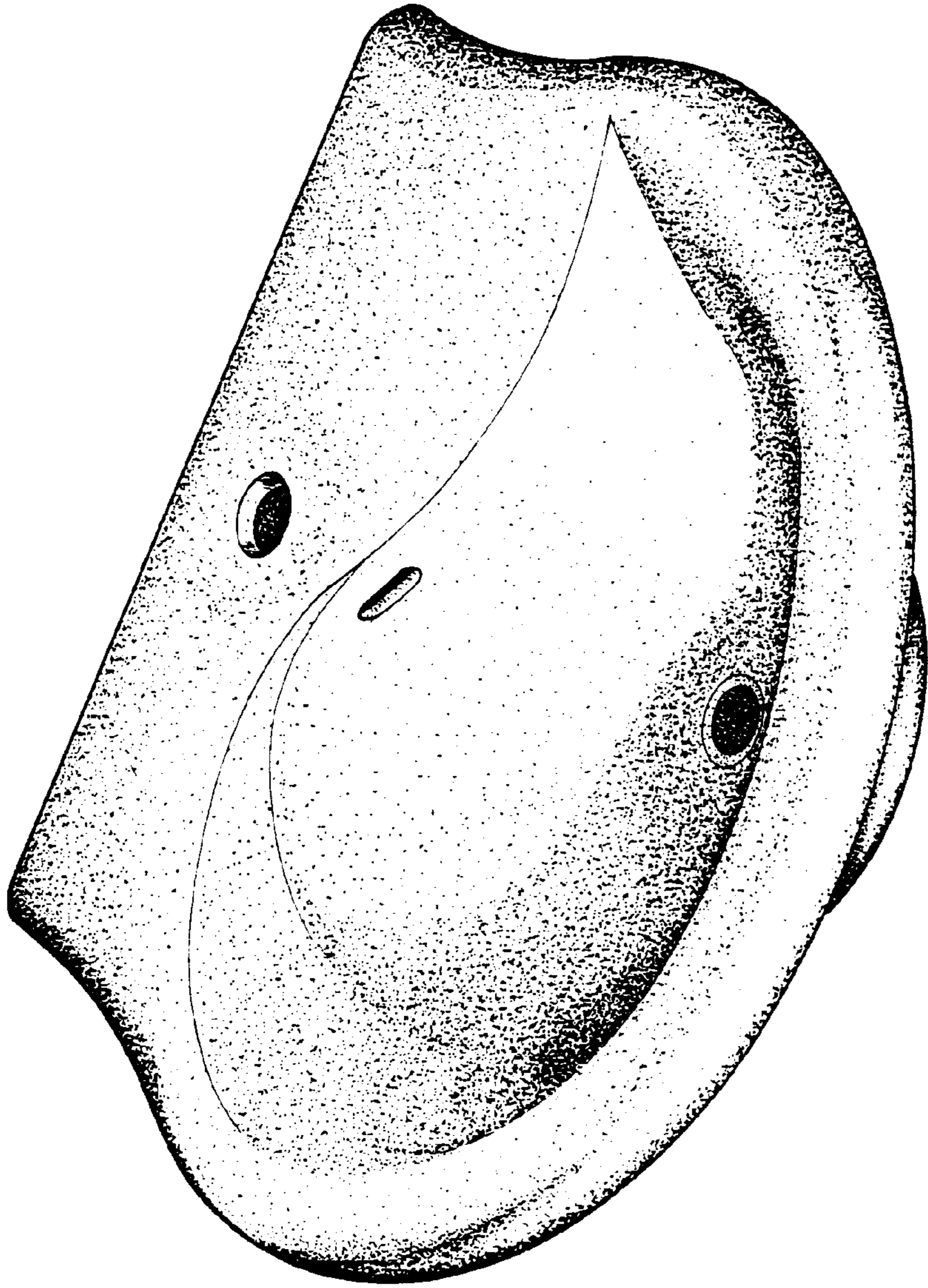


FIG. 7

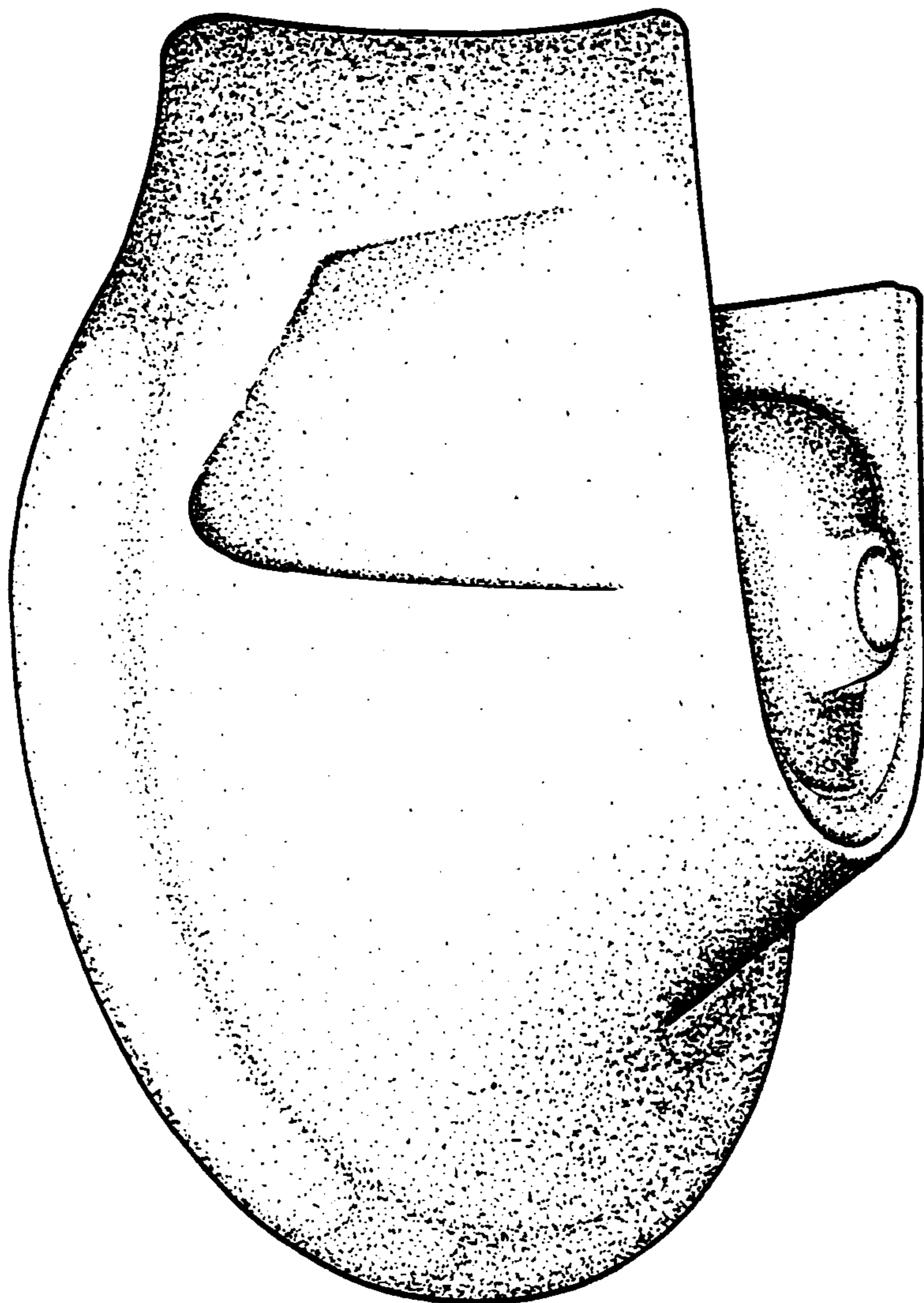


FIG. 8