



US00D425968S

**United States Patent** [19]  
**Lobermeier**

[11] **Patent Number: Des. 425,968**

[45] **Date of Patent: \*\* \*May 30, 2000**

[54] **LEVER HEAD FOR A FAUCET**

[75] Inventor: **Hans Lobermeier**, Menden, Germany

[73] Assignee: **Friedrich Grohe AG**, Hemer, Germany

[\*] Notice: This patent is subject to a terminal disclaimer.

[\*\*] Term: **14 Years**

[21] Appl. No.: **29/107,248**

[22] Filed: **Jun. 30, 1999**

[30] **Foreign Application Priority Data**

Jan. 6, 1999 [DE] Germany ..... 499 00 025

[51] **LOC (7) Cl.** ..... **23-01**

[52] **U.S. Cl.** ..... **D23/252**

[58] **Field of Search** ..... D23/238-254;  
D8/300-310; 4/675-678; 16/110 R-121

[56] **References Cited**

**U.S. PATENT DOCUMENTS**

D. 299,109 12/1988 Jans ..... D8/305  
D. 302,849 8/1989 Kohler, Jr. et al. .... D23/252

D. 339,852 9/1993 Jans ..... D23/252  
D. 346,205 4/1994 Sauter et al. .... D23/252  
D. 349,154 7/1994 Mark ..... D23/252  
D. 357,730 4/1995 Superstein ..... D23/252  
D. 364,217 11/1995 Dubin ..... D23/252  
D. 368,767 4/1996 Gottwald ..... D23/252  
D. 382,942 8/1997 Spurgeon et al. .... D23/252  
D. 392,721 3/1998 Doughty et al. .... D23/252  
D. 407,144 3/1999 Formgren ..... D23/252

*Primary Examiner*—Eric Watterson  
*Attorney, Agent, or Firm*—Herbert Dubno

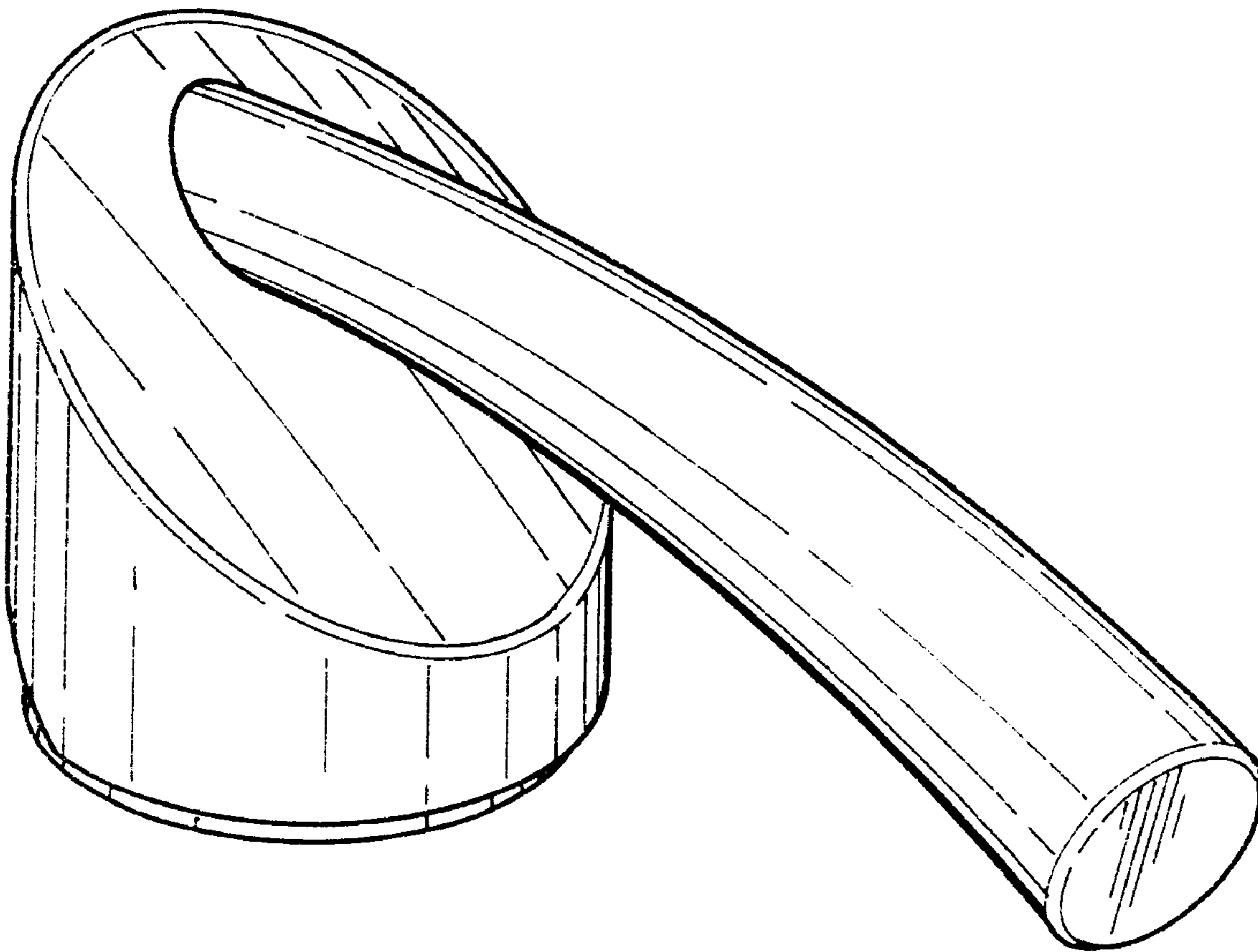
[57] **CLAIM**

The ornamental design for a lever head for a faucet, as shown and described.

**DESCRIPTION**

FIG. 1 is a top, front, left-side perspective view of a lever head for a faucet showing my new design;  
FIG. 2 is a top view thereof;  
FIG. 3 is a left side elevational view thereof, the right side being mirror symmetrical thereto;  
FIG. 4 is a bottom view thereof;  
FIG. 5 is a front view thereof; and,  
FIG. 6 is a rear view thereof.

**1 Claim, 3 Drawing Sheets**



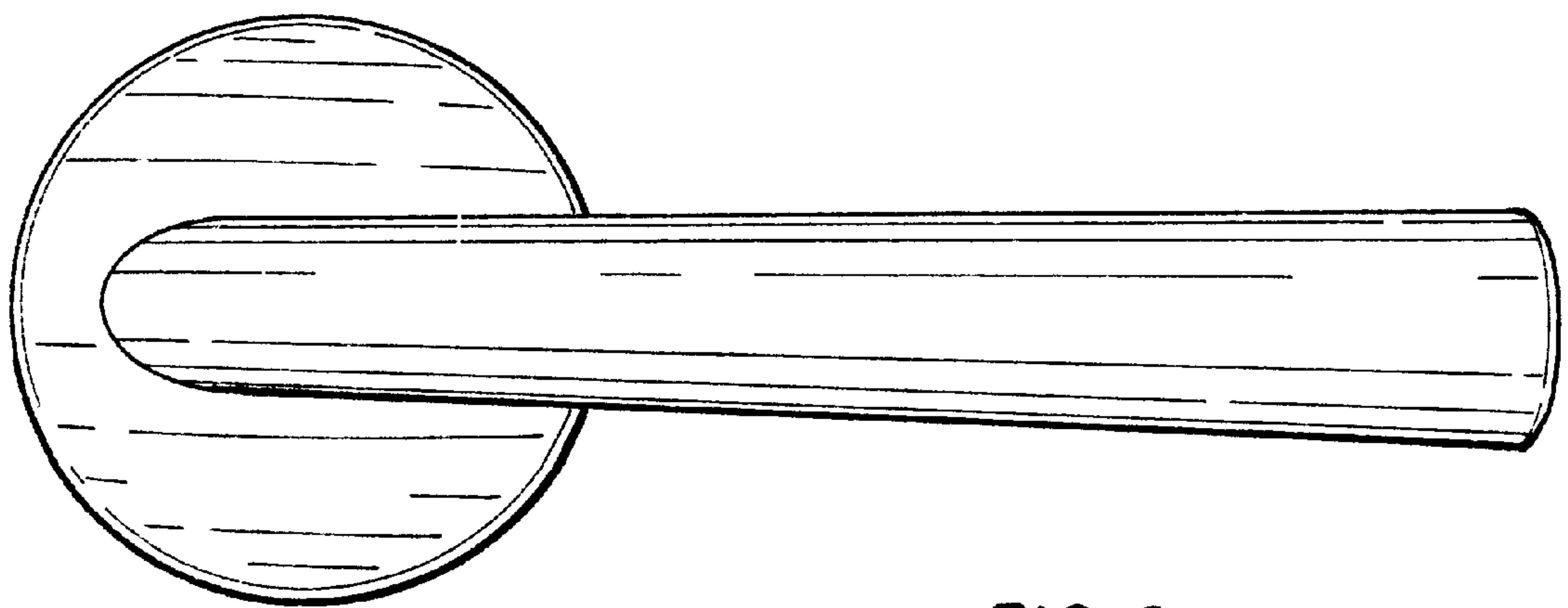
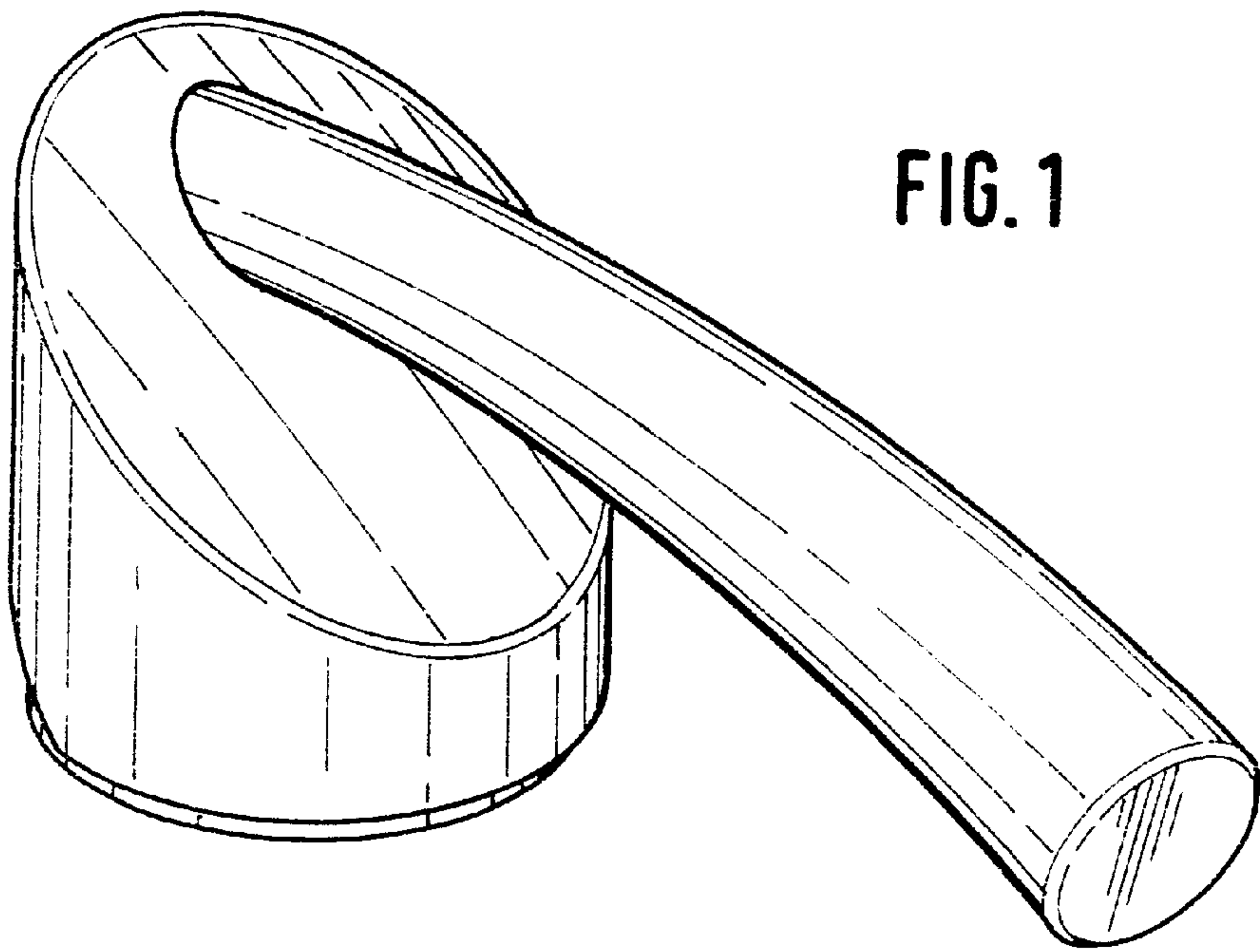


FIG. 2

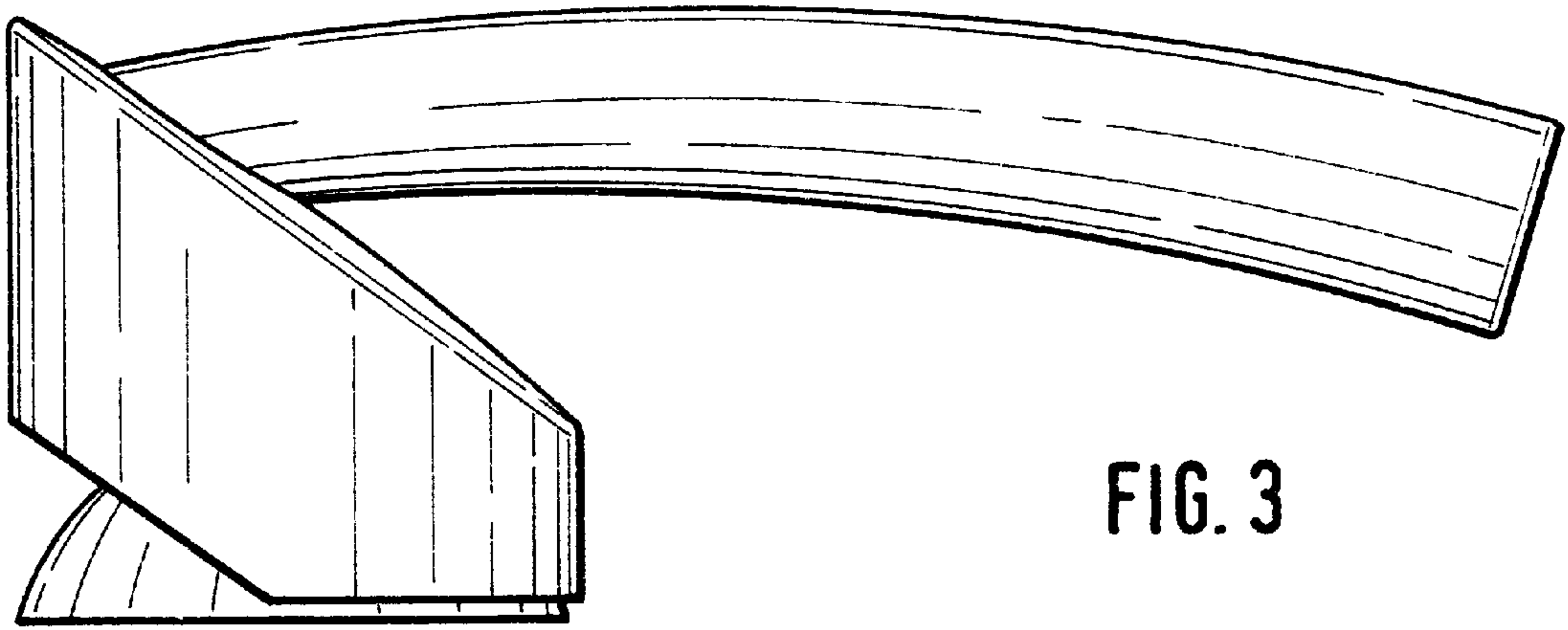


FIG. 3

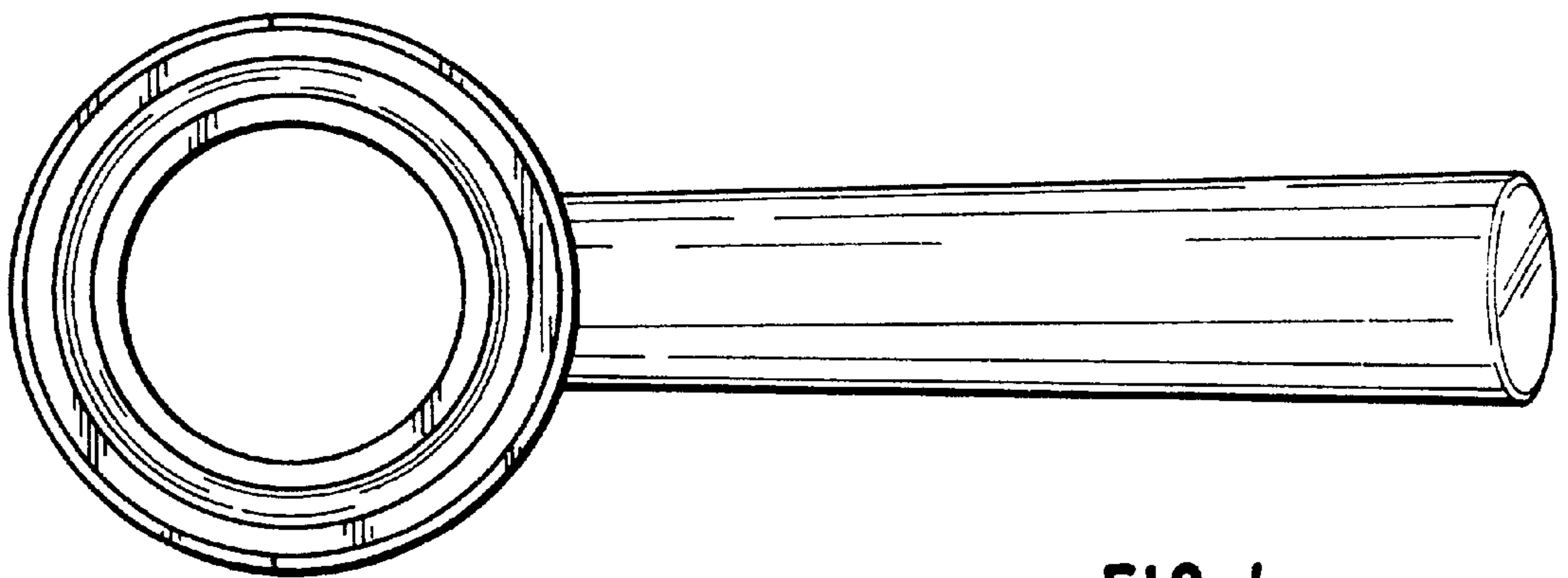


FIG. 4

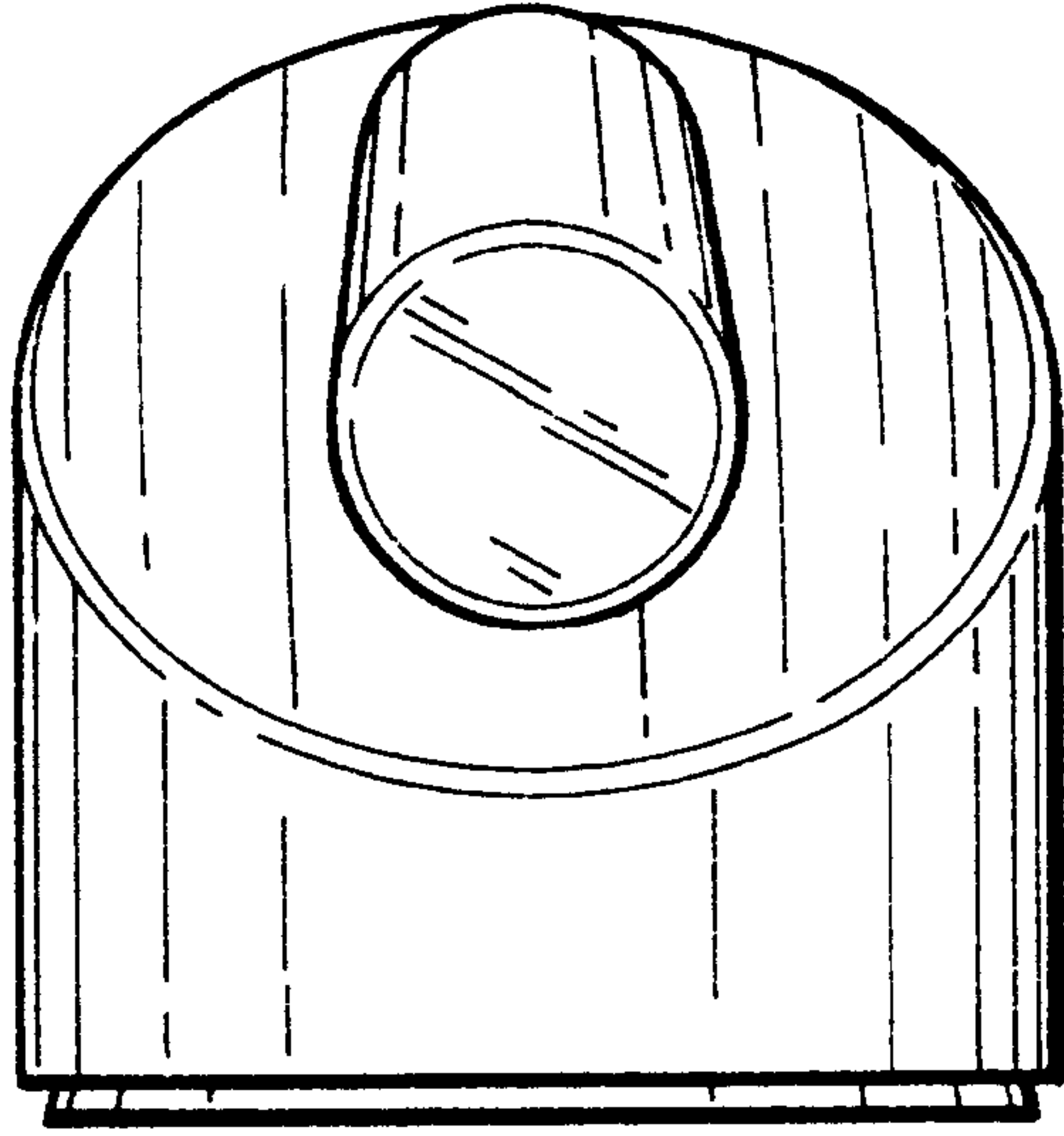


FIG. 5

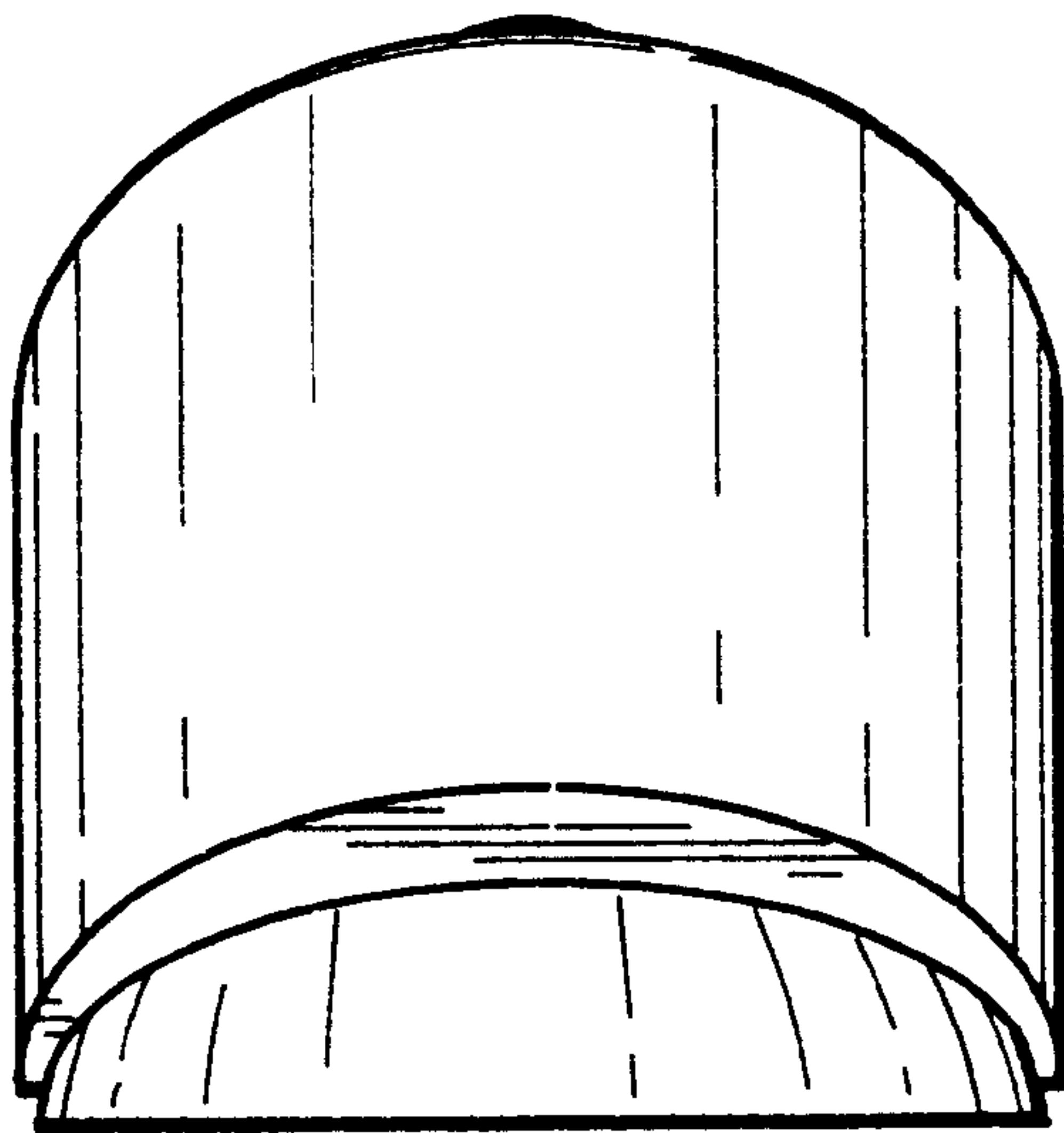


FIG. 6