



US00D425967S

# United States Patent [19]

Sawhney et al.

[11] Patent Number: **Des. 425,967**

[45] Date of Patent: **\*\* \*May 30, 2000**

[54] FAUCET

[75] Inventors: **Ravi Sawhney**, Calabasas; **Christopher Glupker**, Van Nuys; **Cary Chow**, Venice; **Lance Hussey**, Sherman Oaks; **Soren Petersen**, South Pasadena, all of Calif.

[73] Assignee: **Emhart Inc.**, Newark, Del.

[\*] Notice: This patent is subject to a terminal disclaimer.

[\*\*] Term: **14 Years**

[21] Appl. No.: **29/099,162**

[22] Filed: **Jan. 14, 1999**

[51] LOC (7) Cl. .... **23-01**

[52] U.S. Cl. .... **D23/243**

[58] Field of Search ..... D23/238-243,  
D23/250-257; 4/675-678; 137/801

### [56] References Cited

#### U.S. PATENT DOCUMENTS

D. 392,025 3/1998 Doughty et al. .... D23/238

D. 397,206 8/1998 Lord ..... D23/238  
D. 398,374 9/1998 Lord ..... D23/238  
D. 398,957 9/1998 Doughty et al. .... D23/238  
D. 402,351 12/1998 Lord ..... D23/238

*Primary Examiner*—Eric Watterson  
*Attorney, Agent, or Firm*—Edward D. Murphy

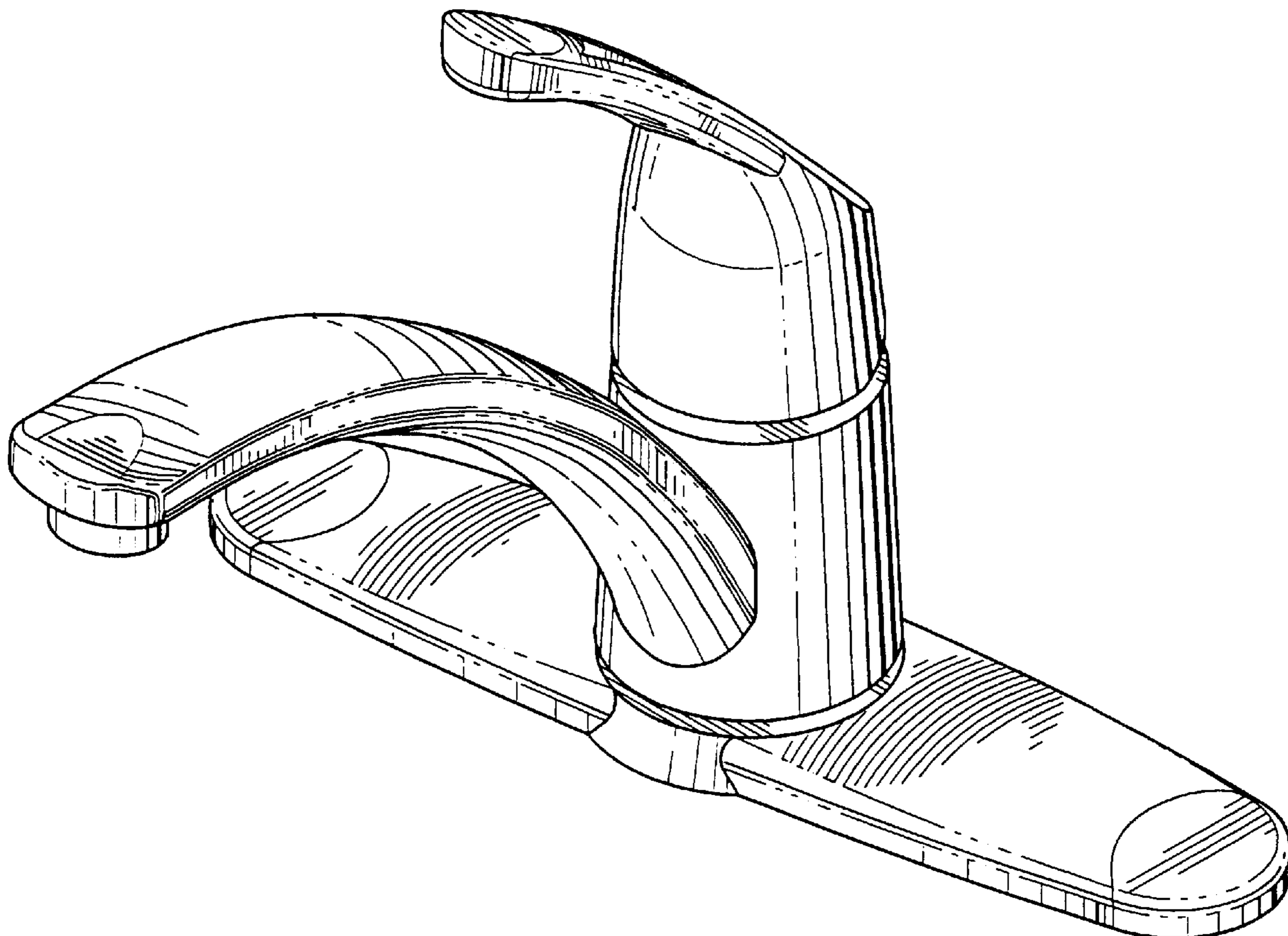
### [57] CLAIM

The ornamental design for a faucet, as shown and described.

### DESCRIPTION

FIG. 1 is a perspective view of our new design of a faucet; FIG. 2 is a right side elevational view of our new design of the faucet, a left side elevational view thereof being a mirror image of the right side elevation thereof; FIG. 3 is a front elevational view of our new design of the faucet; FIG. 4 is a rear elevational view of our new design of the faucet; FIG. 5 is a top plan view of our new design of the faucet; and, FIG. 6 is a bottom plan view of our new design of the faucet.

**1 Claim, 6 Drawing Sheets**



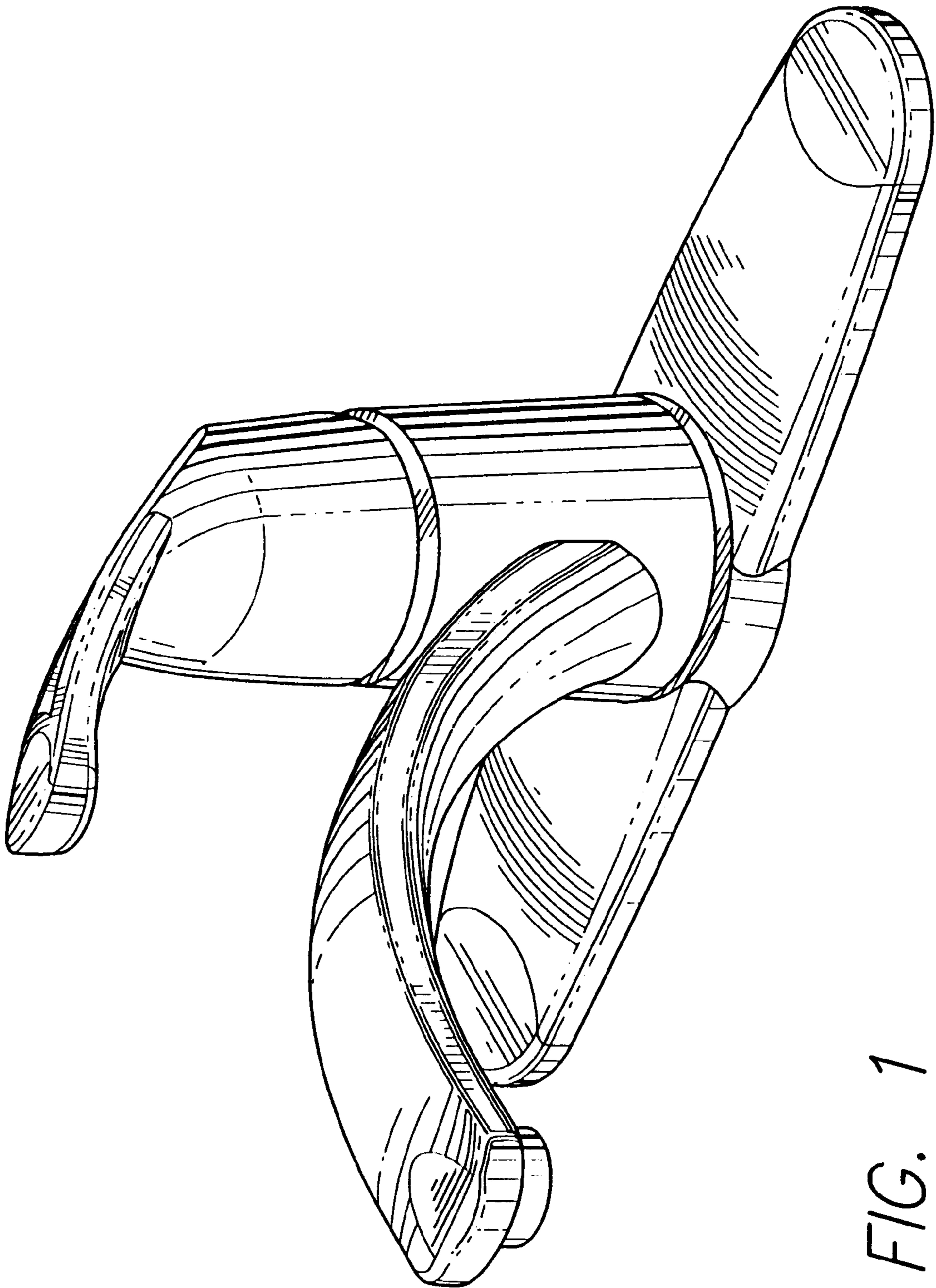


FIG. 1

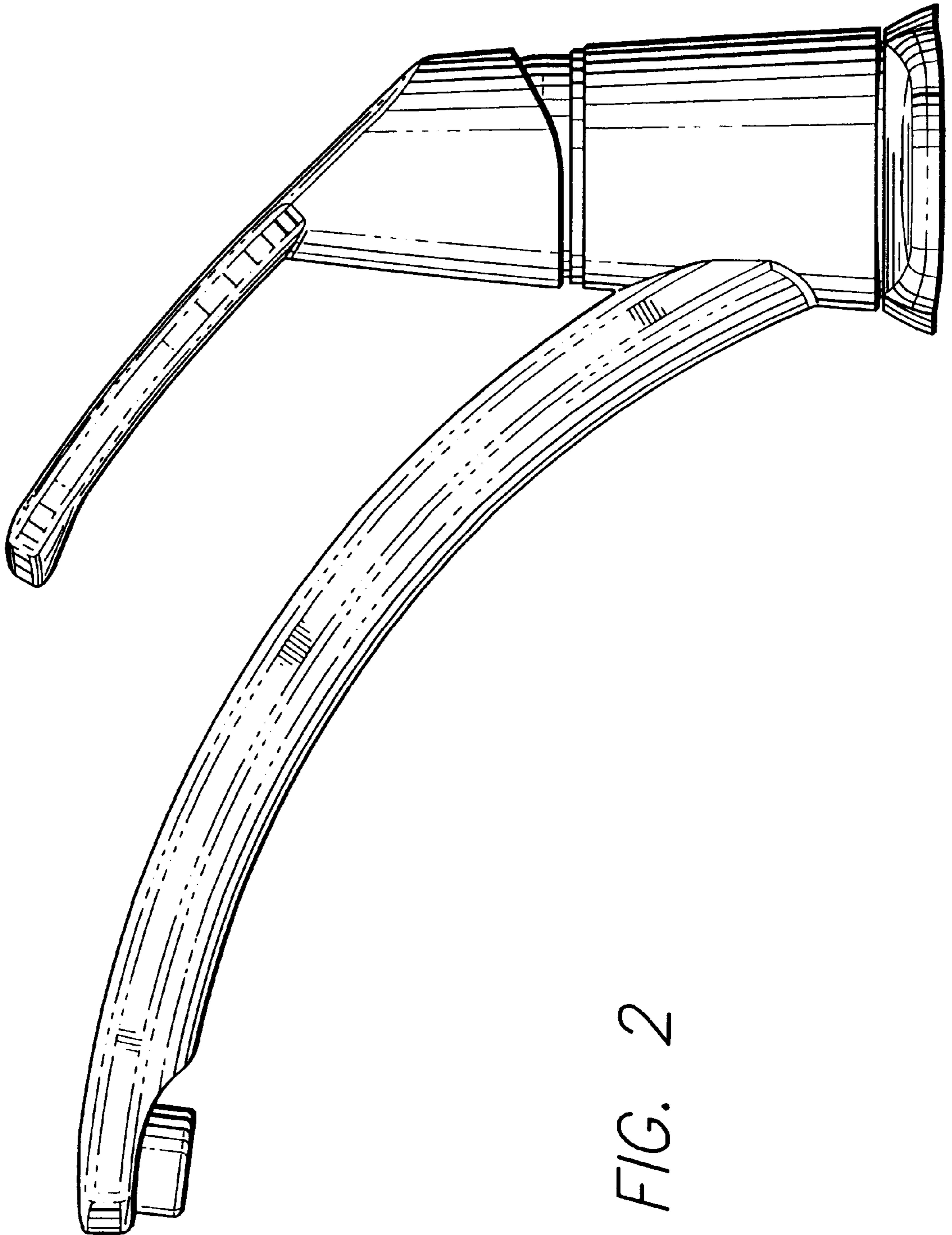
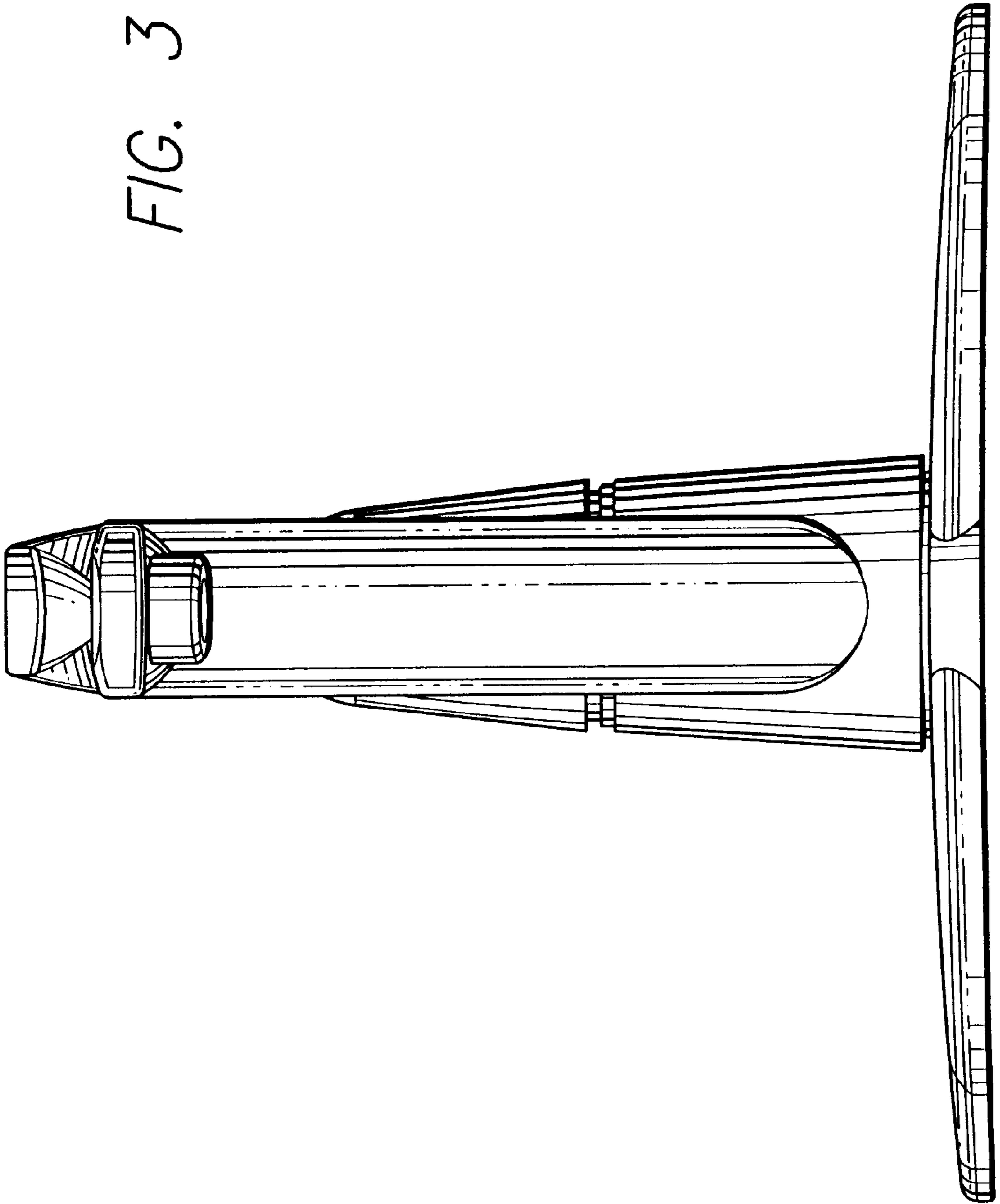


FIG. 2

FIG. 3



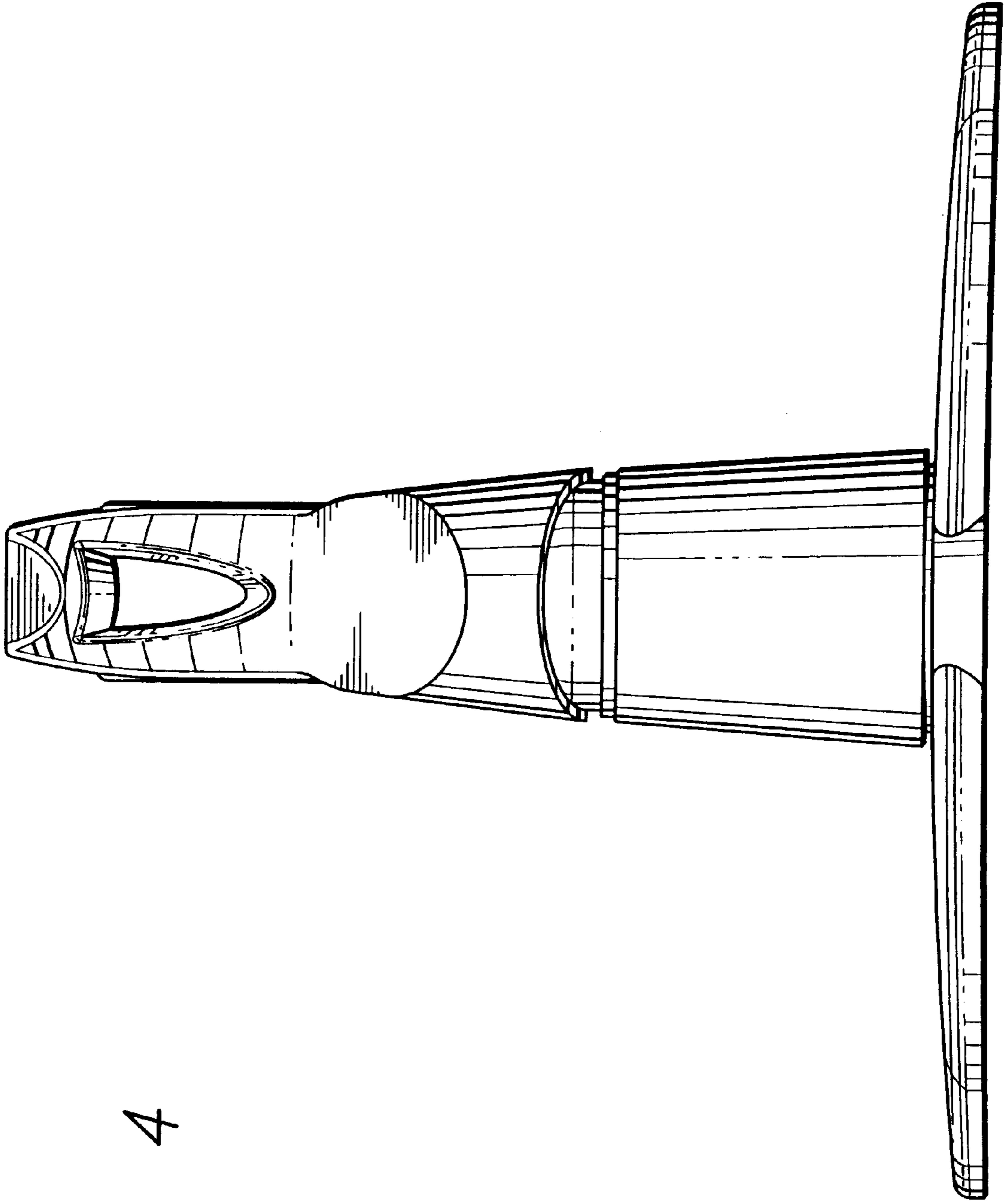


FIG. 4

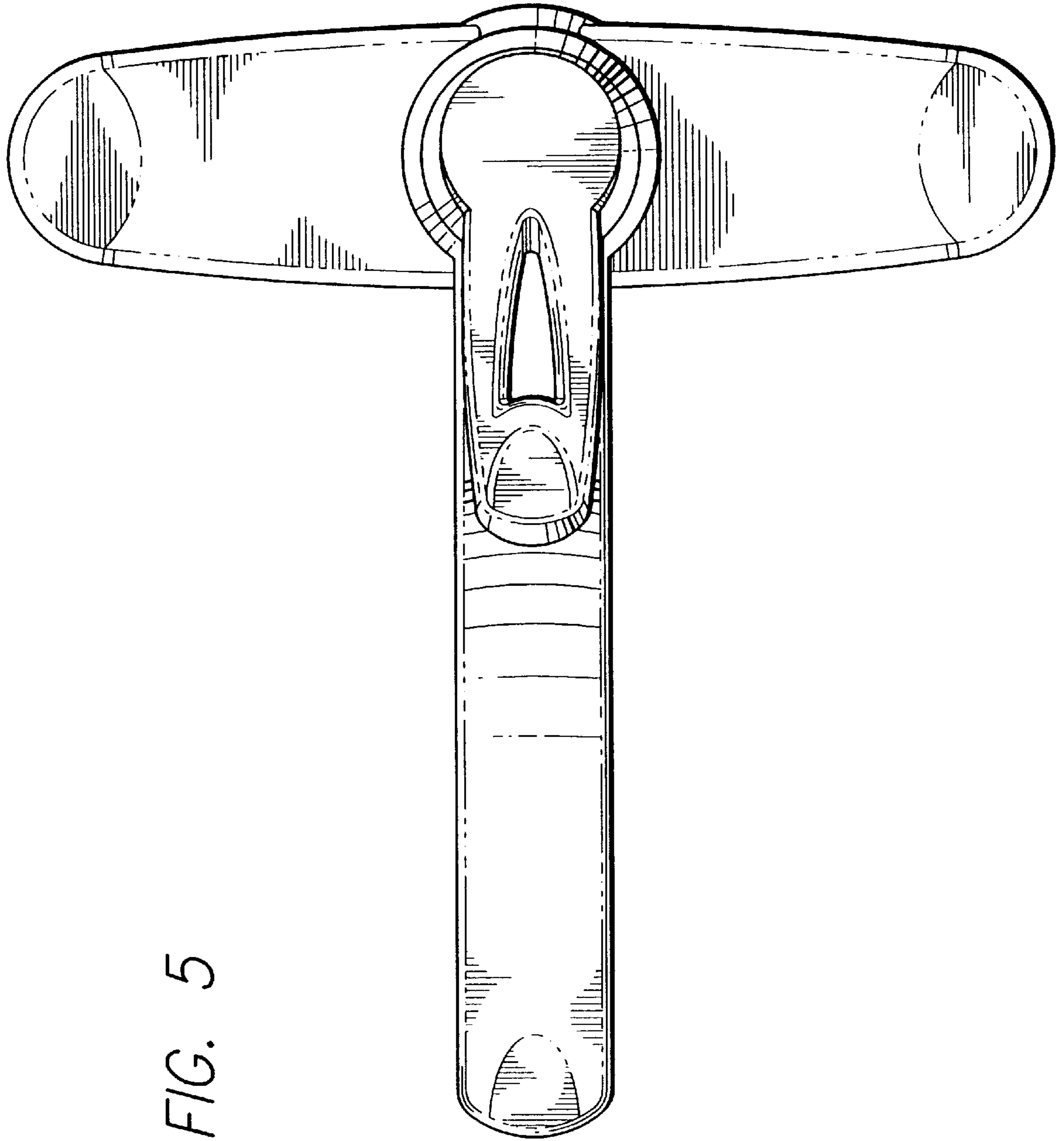


FIG. 5

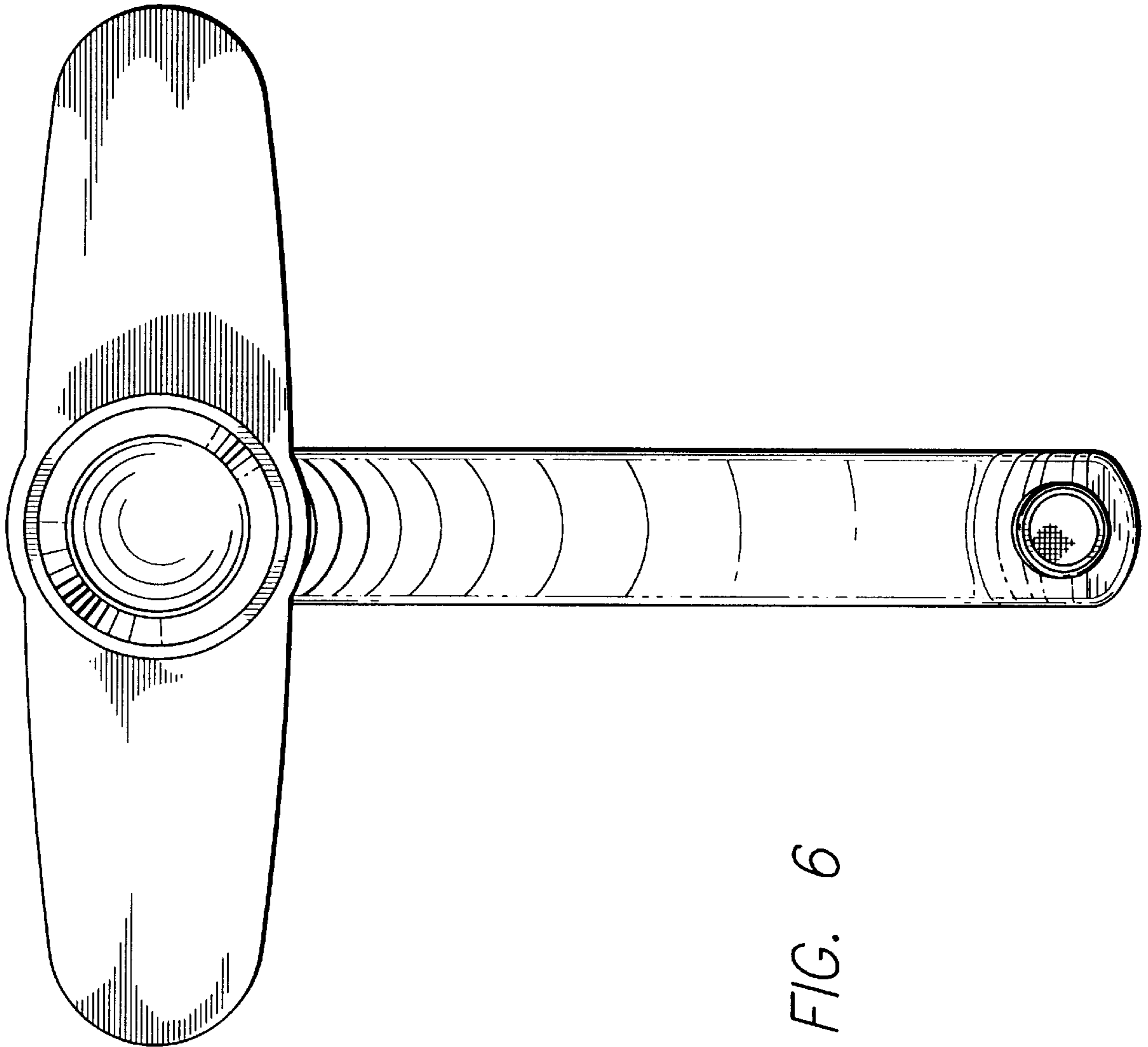


FIG. 6