



US00D425966S

United States Patent [19]
Lindholm

[11] **Patent Number: Des. 425,966**

[45] **Date of Patent: ** May 30, 2000**

[54] **FAUCET**

[76] **Inventor: Jon Lindholm**, c/o Studio Lindholm,
The Tower Bldg., 1608 N. Milwaukee
Ave., Chicago, Ill. 60647

[**] **Term: 14 Years**

[21] **Appl. No.: 29/110,011**

[22] **Filed: Aug. 27, 1999**

[51] **LOC (7) Cl. 23-01**

[52] **U.S. Cl. D23/238**

[58] **Field of Search D23/238-243,
D23/250-257; 4/675-678; 137/801**

[56] **References Cited**

U.S. PATENT DOCUMENTS

- D. 393,051 3/1998 Lobermeier D23/238
- D. 402,736 12/1998 Kergoet D23/238
- D. 408,582 4/1999 Varn D27/183

- D. 409,284 5/1999 Gottwald D23/238
- D. 409,727 5/1999 Lobermeier D23/238
- D. 410,068 5/1999 Gottwald D23/238
- D. 411,610 6/1999 Lobermeier D23/238

Primary Examiner—Eric Watterson
Attorney, Agent, or Firm—Patents & TMS, P.C.

[57] **CLAIM**

The ornamental design for a faucet, as shown.

DESCRIPTION

FIG. 1 is a perspective view of a faucet of the present invention;
FIG. 2 is a front view thereof;
FIG. 3 is a rear view thereof;
FIG. 4 is a top view thereof; and,
FIG. 5 is a side view, the opposite side being a mirror image thereof;

1 Claim, 2 Drawing Sheets

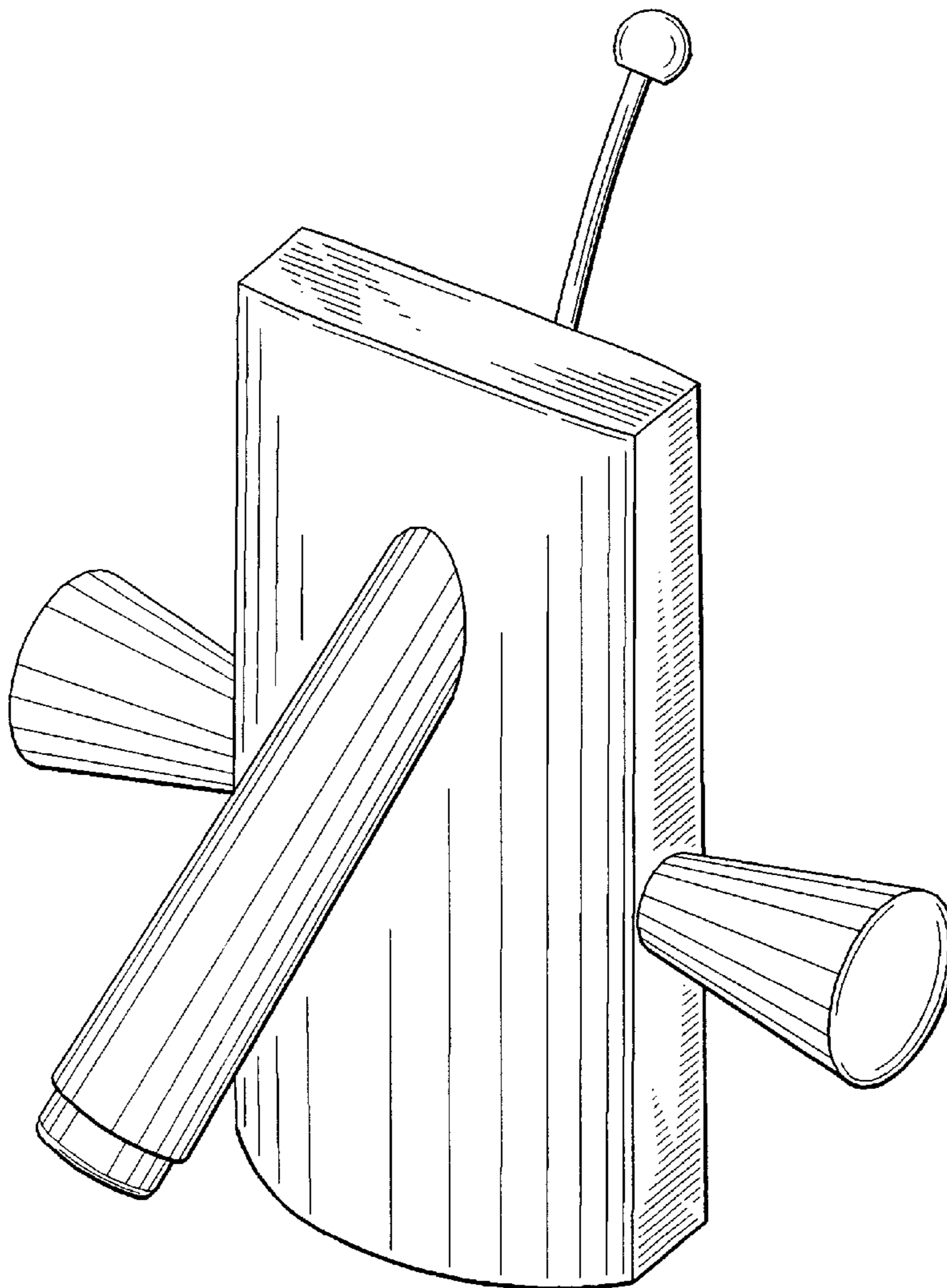


FIG.1

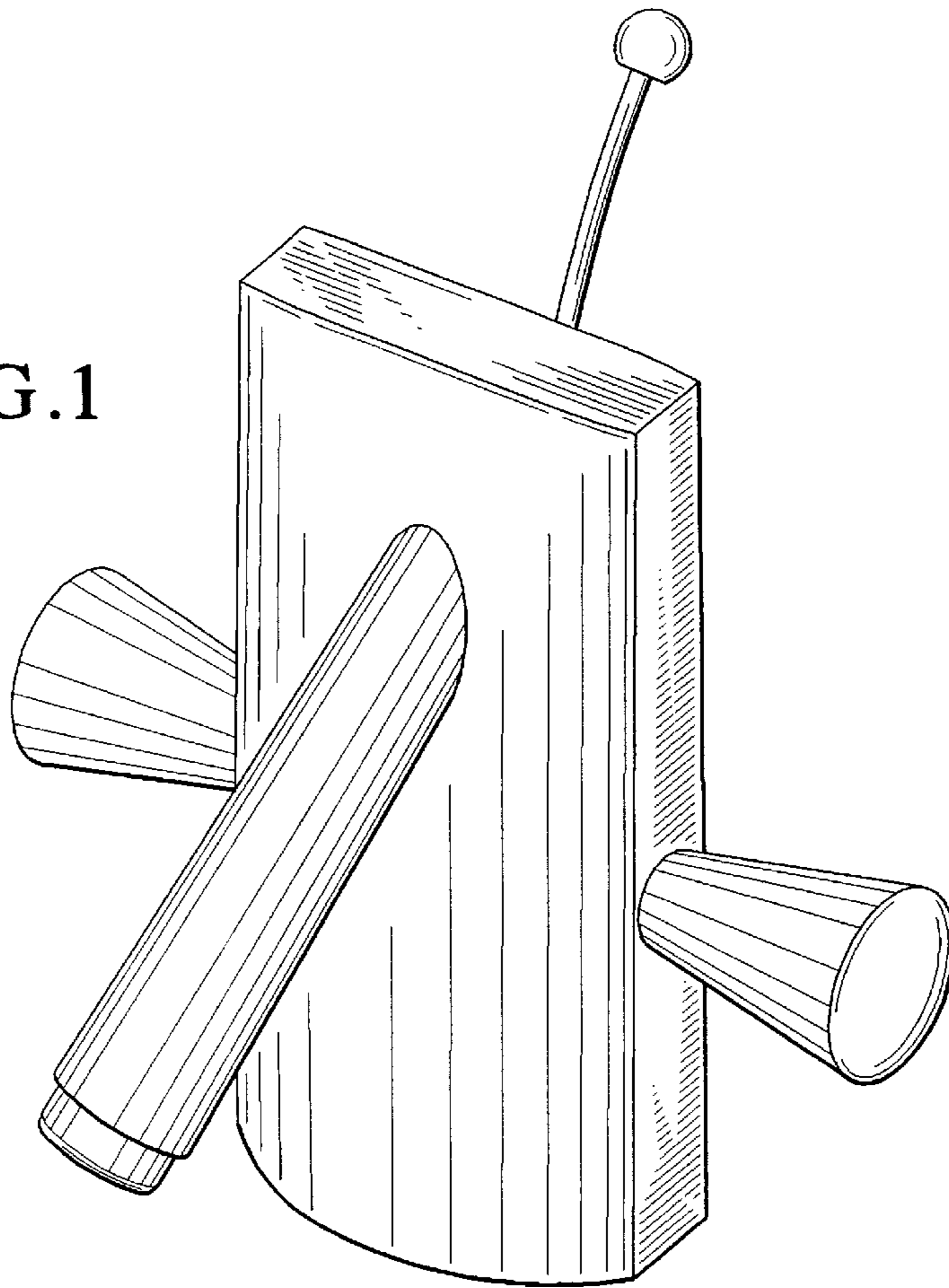


FIG.2

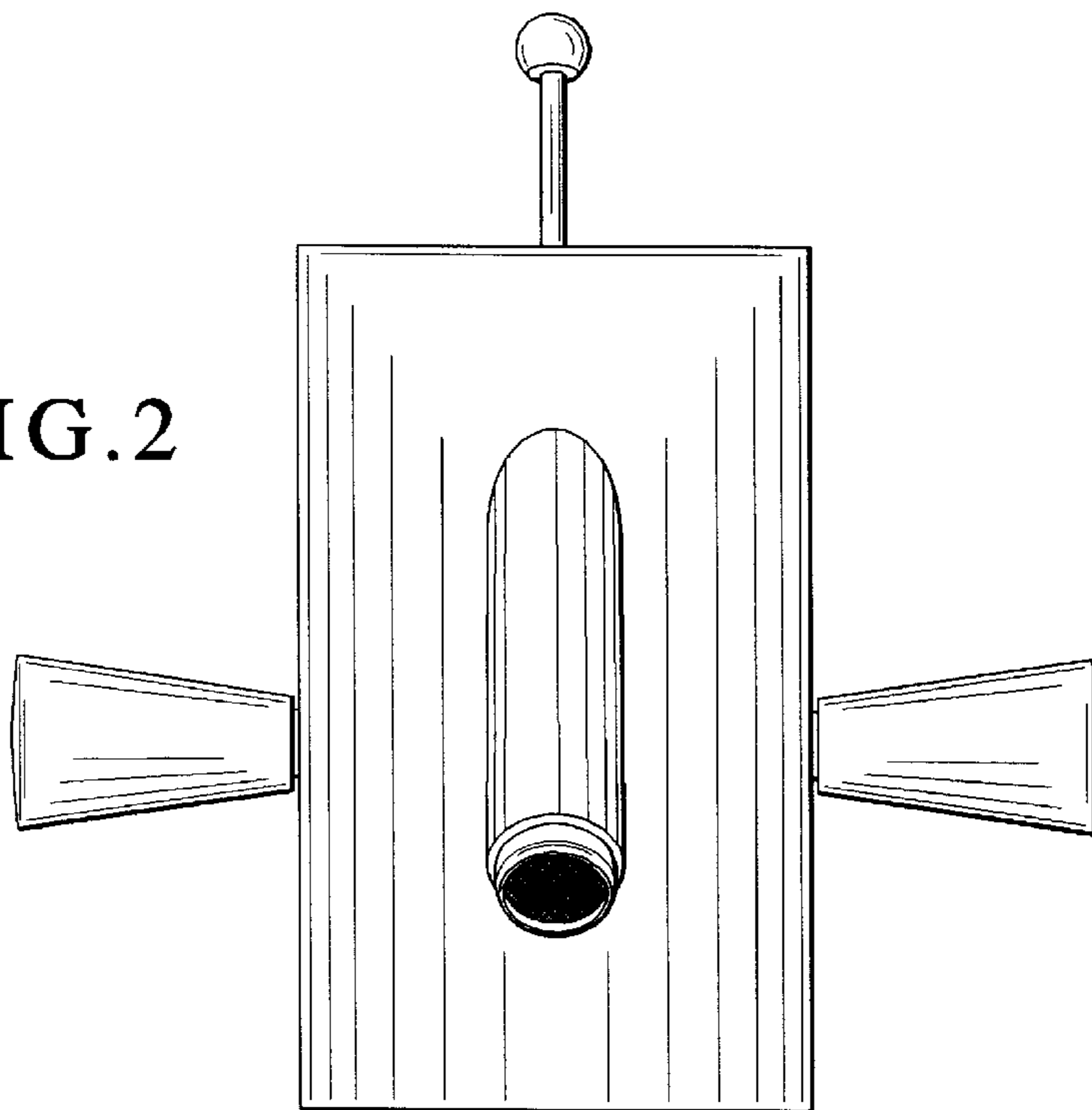


FIG. 4

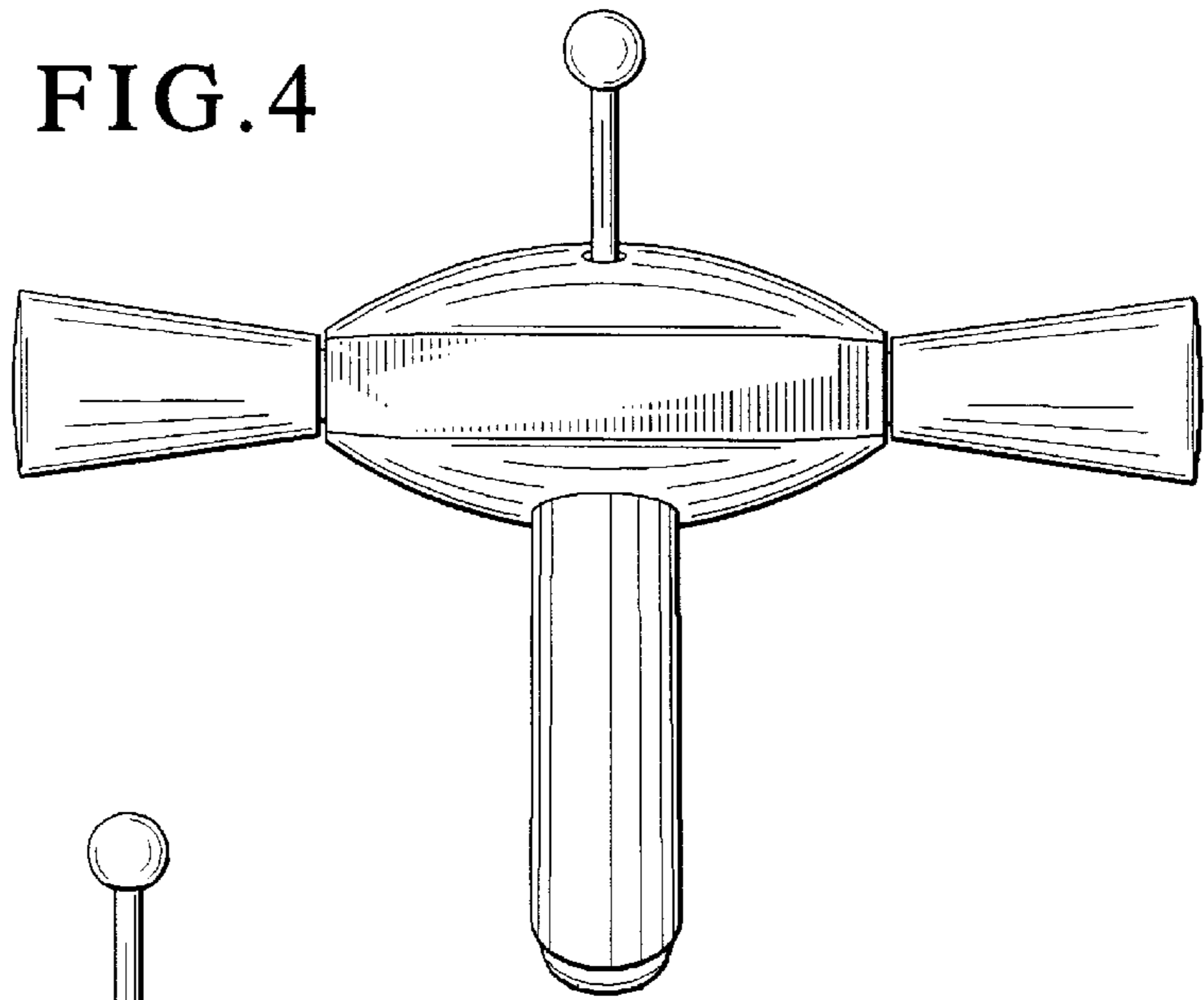


FIG. 3

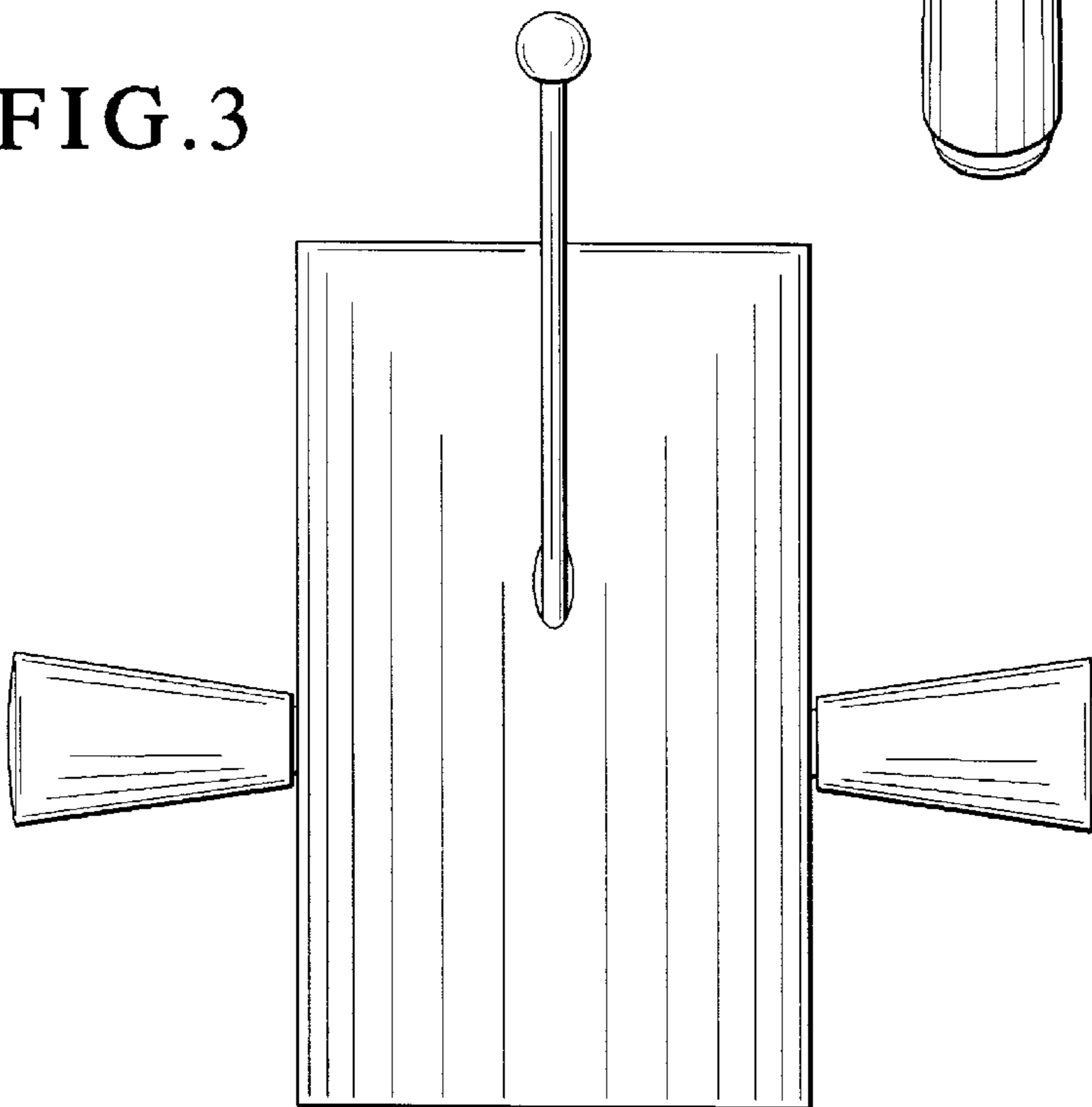


FIG. 5

