



US00D425965S

United States Patent [19]

Yuen et al.

[11] Patent Number: **Des. 425,965**

[45] Date of Patent: **** May 30, 2000**

[54] **DISPENSING SYSTEM PROBE**

[75] Inventors: **Kaye Kit-Han Yuen**, Minneapolis;
Oliver Murphy, III, St. Paul, both of
Minn.

[73] Assignee: **Ecolab, Inc.**, St. Paul, Minn.

[**] Term: **14 Years**

[21] Appl. No.: **29/102,862**

[22] Filed: **Apr. 2, 1999**

[51] **LOC (7) Cl.** **23-01**

[52] **U.S. Cl.** **D23/233; D7/398**

[58] **Field of Search** **D23/233-237;**
137/322; 222/400.7; D7/398; 251/252, 142

[56] **References Cited**

U.S. PATENT DOCUMENTS

D. 326,503	5/1992	Ipsen .	
D. 328,200	7/1992	Ipsen .	
2,823,833	2/1958	Bauerlein .	
4,350,273	9/1982	Nezworski et al.	222/400.7
4,406,301	9/1983	Cerrato	222/400.7
4,524,801	6/1985	Magnasco et al. .	
4,691,850	9/1987	Kirschmann et al. .	
4,941,596	7/1990	Marty et al. .	
4,964,185	10/1990	Lehn .	
4,976,137	12/1990	Decker et al. .	
5,085,352	2/1992	Sasaki et al. .	
5,139,182	8/1992	Appla .	
5,181,632	1/1993	Latter .	
5,203,366	4/1993	Czeck et al. .	
5,246,140	9/1993	Thix et al. .	
5,507,419	4/1996	Martin et al. .	
5,597,021	1/1997	Crossdale et al. .	
5,597,093	1/1997	Lee .	
5,611,459	3/1997	Hinch .	
5,617,977	4/1997	Augustinus .	
5,632,420	5/1997	Lohrman et al. .	
5,636,769	6/1997	Willingham	222/400.7

5,641,094	6/1997	Wunsch .	
5,647,416	7/1997	Desrosiers et al. .	
5,660,306	8/1997	Kim .	
5,678,737	10/1997	White .	
5,709,318	1/1998	Oder .	
5,711,355	1/1998	Kowalczyk .	
5,713,493	2/1998	Garibaldi .	
5,713,496	2/1998	Ipsen .	
5,725,132	3/1998	Foster et al. .	
5,775,364	7/1998	Erb	137/322

Primary Examiner—Robin V. Taylor
Attorney, Agent, or Firm—Merchant & Gould P.C.

[57] **CLAIM**

The ornamental design for a dispensing system probe, as shown and described.

DESCRIPTION

FIG. 1 is a perspective view of the front and bottom of a dispensing system probe of our new design;
 FIG. 2 is a rear elevation view of our new design;
 FIG. 3 is a front elevation view of our new design;
 FIG. 4 is a left elevation side view of our new design, showing indentations in the lower end of the dispensing system probe that function to provide a lockout feature, so that the probe can be used with bung cups having lockout protrusions;
 FIG. 5 is a right elevation side view of our new design, showing indentations in the lower end of the dispensing system probe that function to provide a lockout feature, so that the probe can be used with bung cups having lockout protrusions;
 FIG. 6 is a top plan view of our new design; and
 FIG. 7 is a bottom plan view of our new design; and,
 FIG. 8 is a perspective view of the front and bottom of our new design, with the dispensing system probe turned into an open position, so that a window protrudes from the lower end of the probe, permitting fluid to pass through the probe.

1 Claim, 4 Drawing Sheets

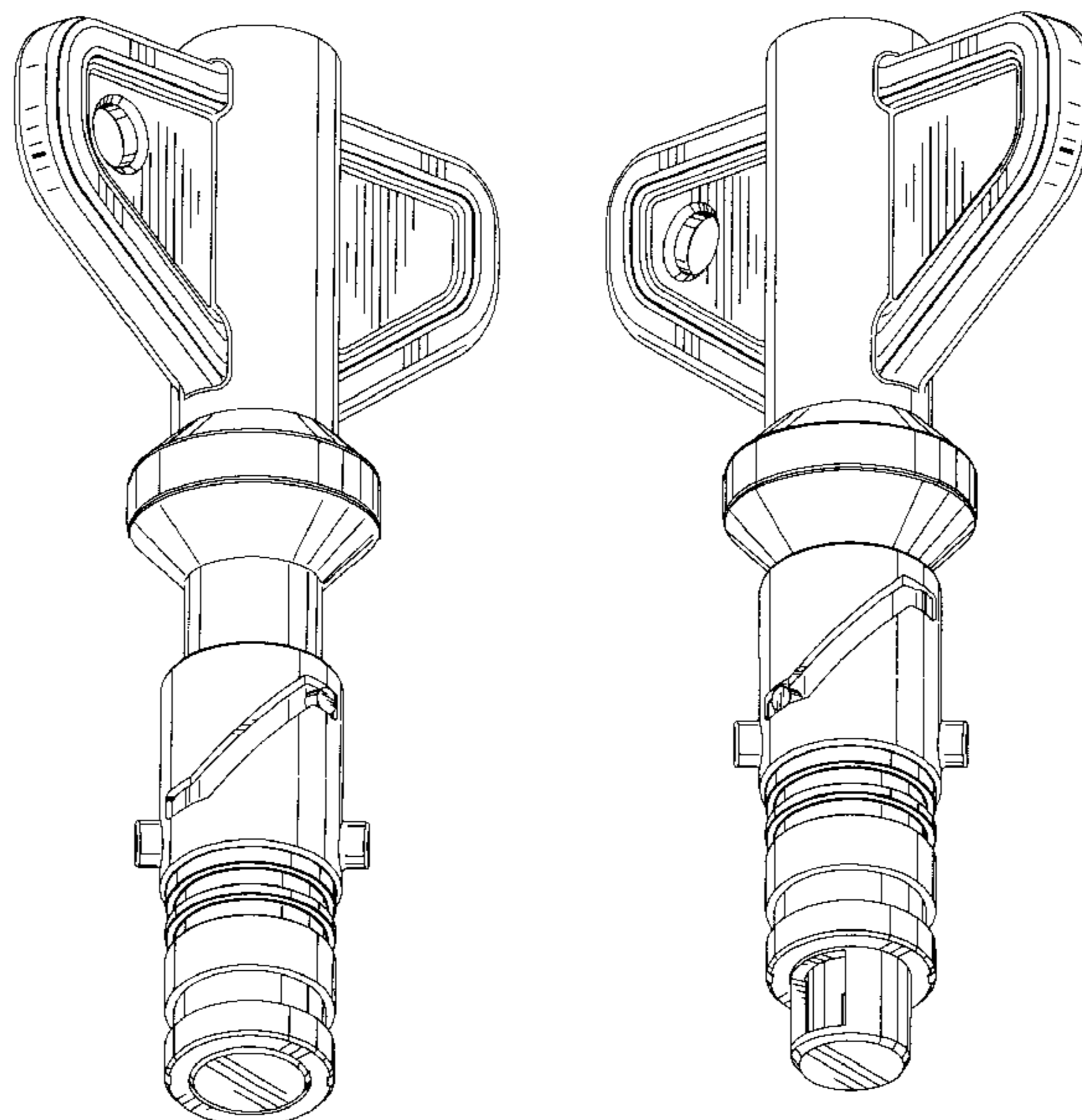


FIG. 1

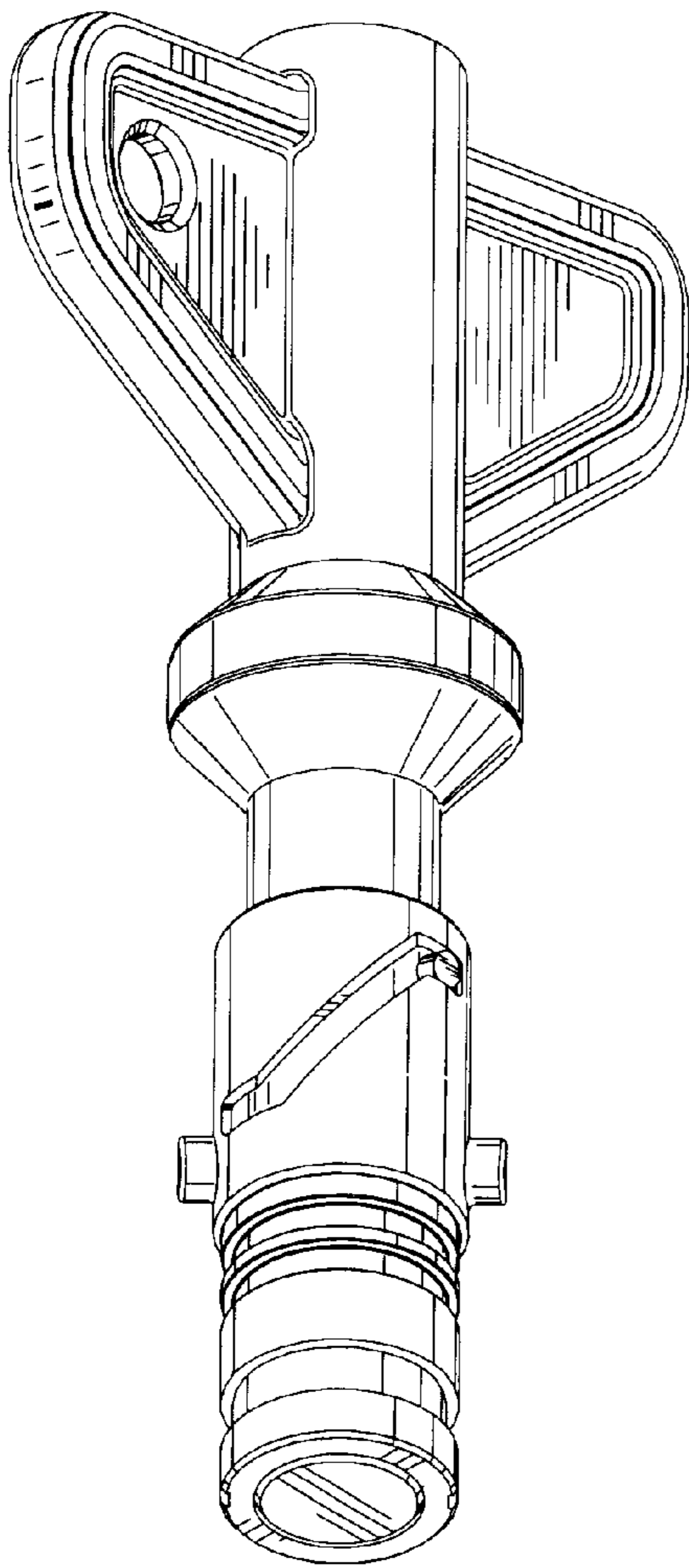


FIG. 2

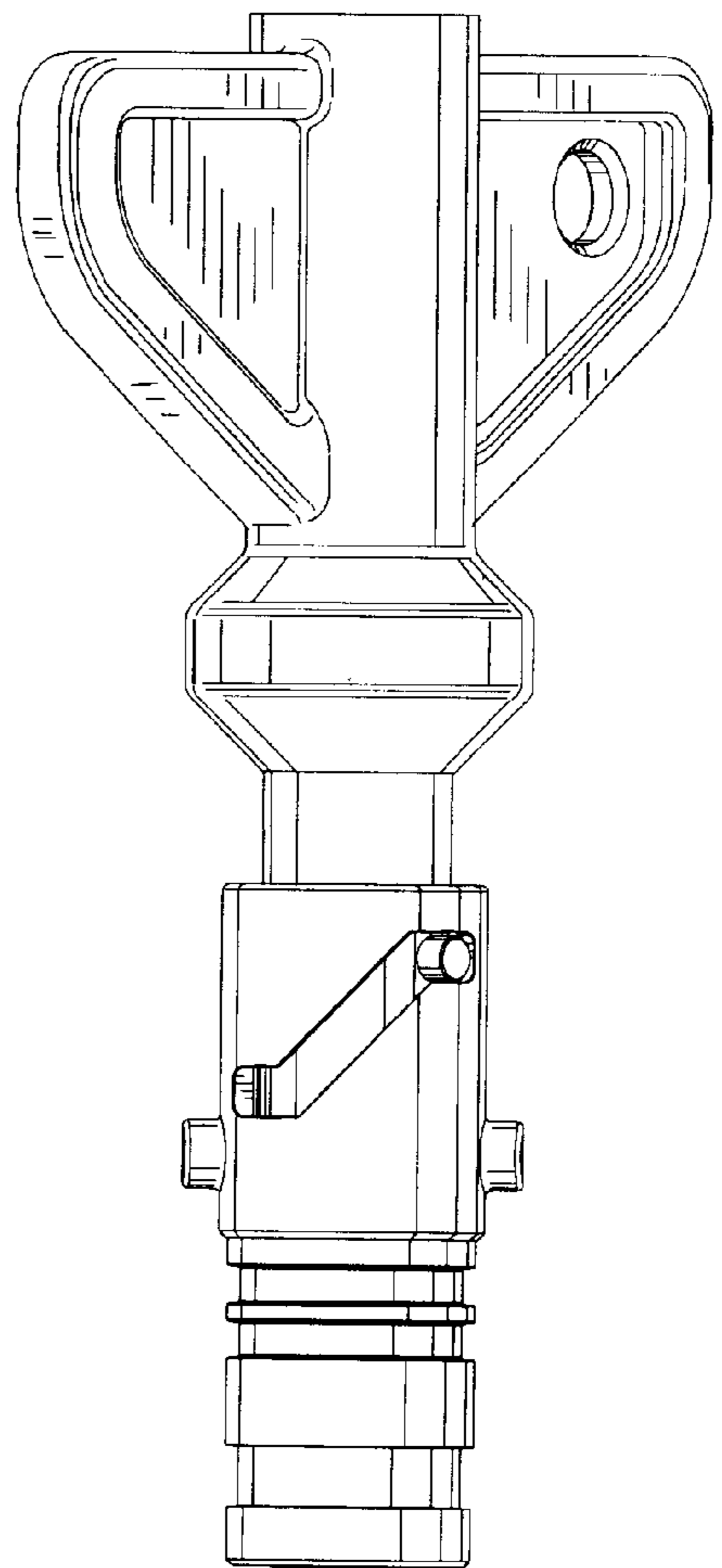


FIG. 3

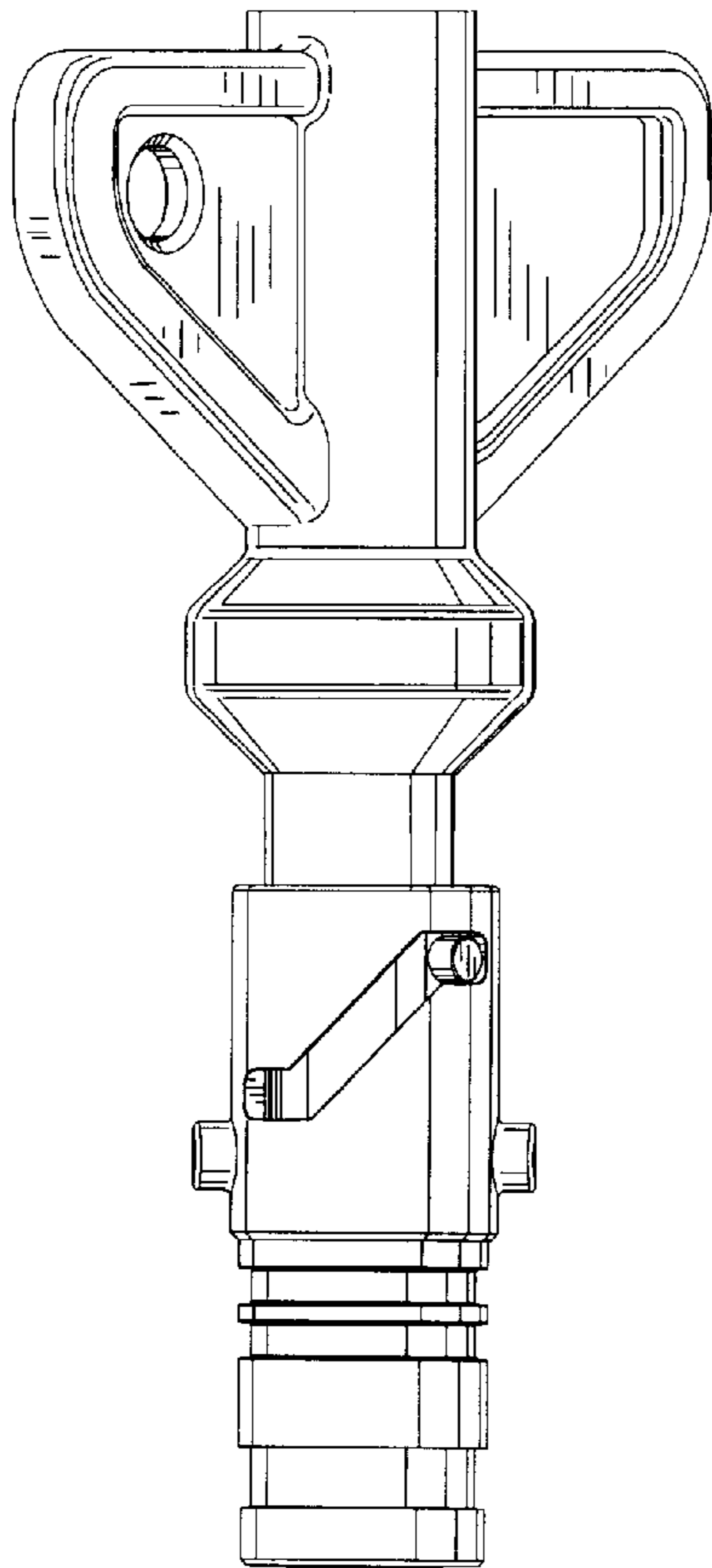


FIG. 4

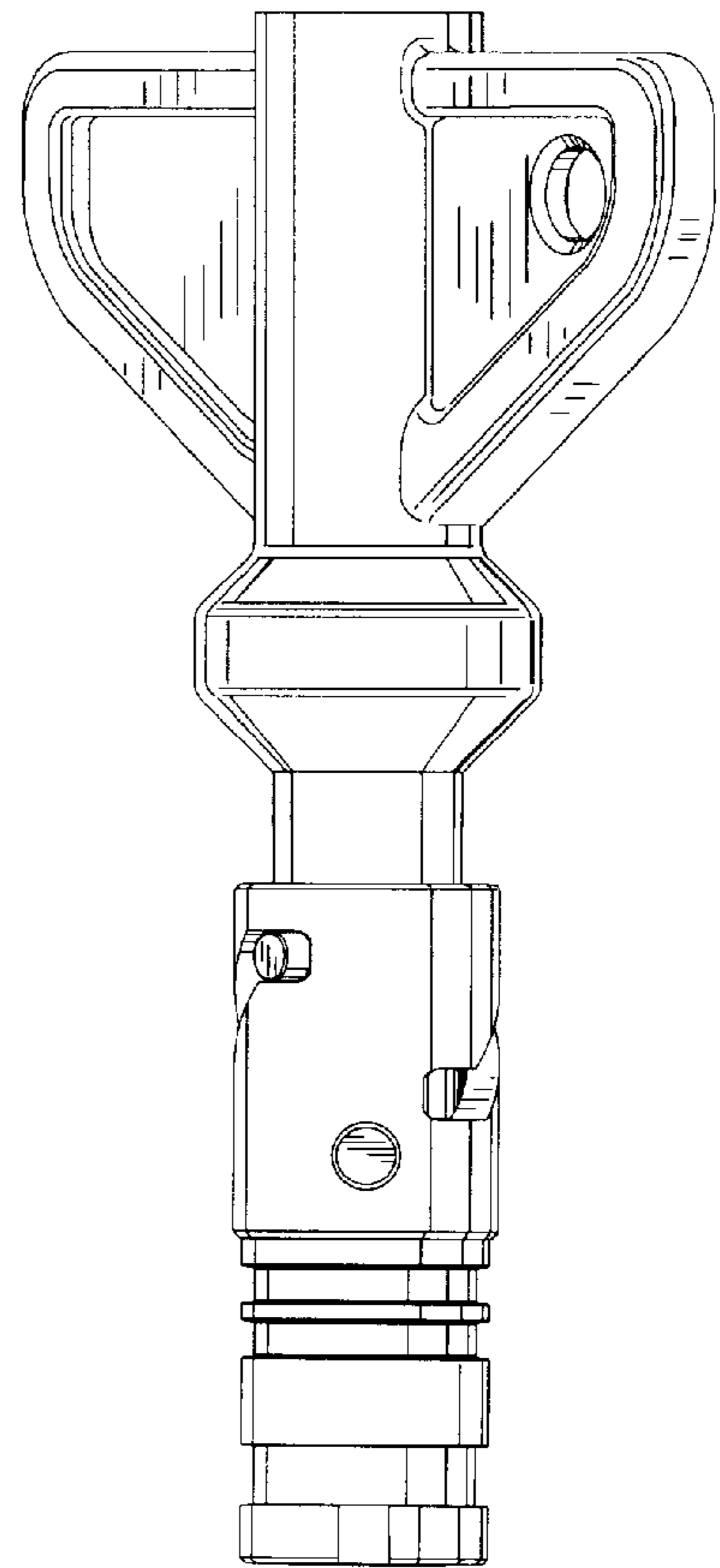


FIG. 5

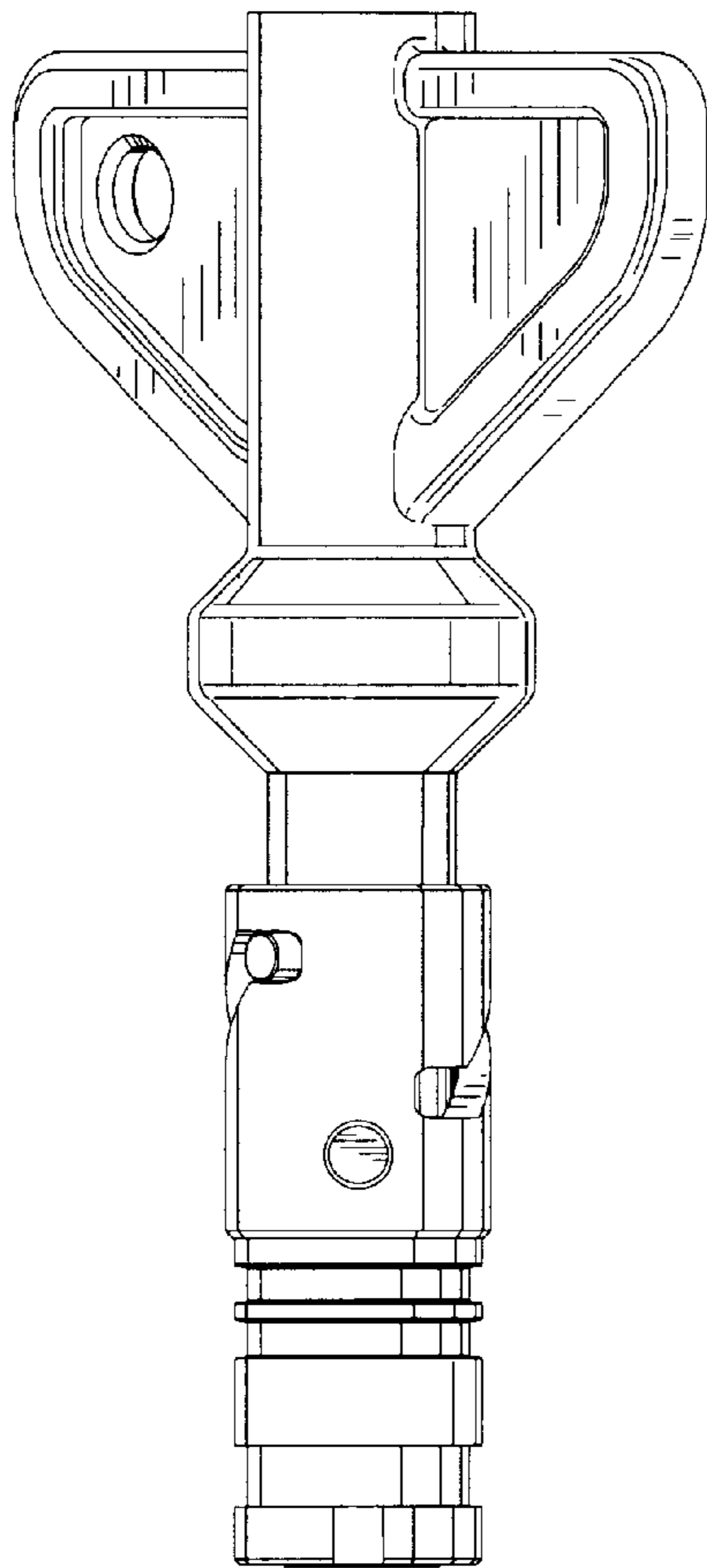


FIG. 6

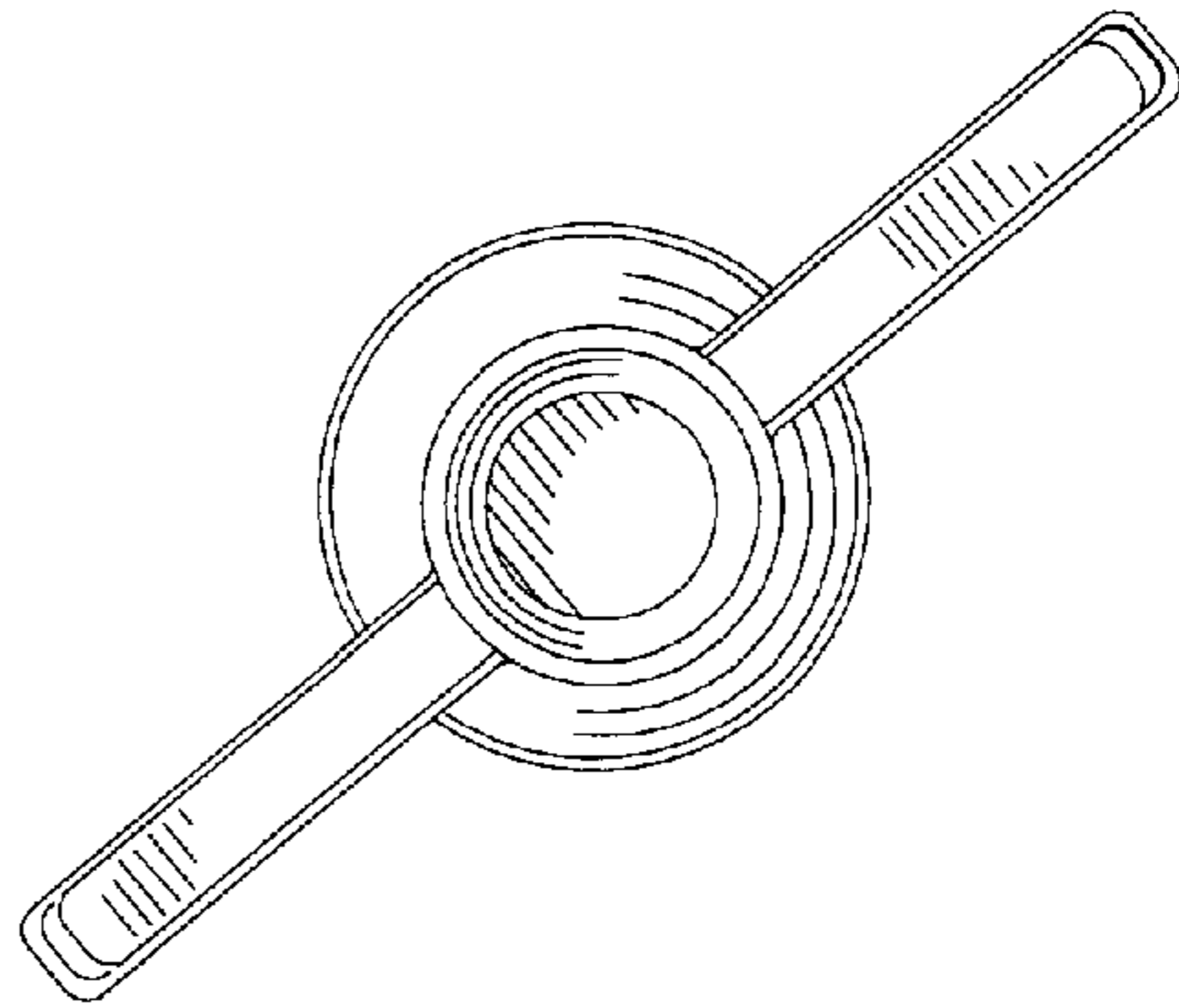


FIG. 7

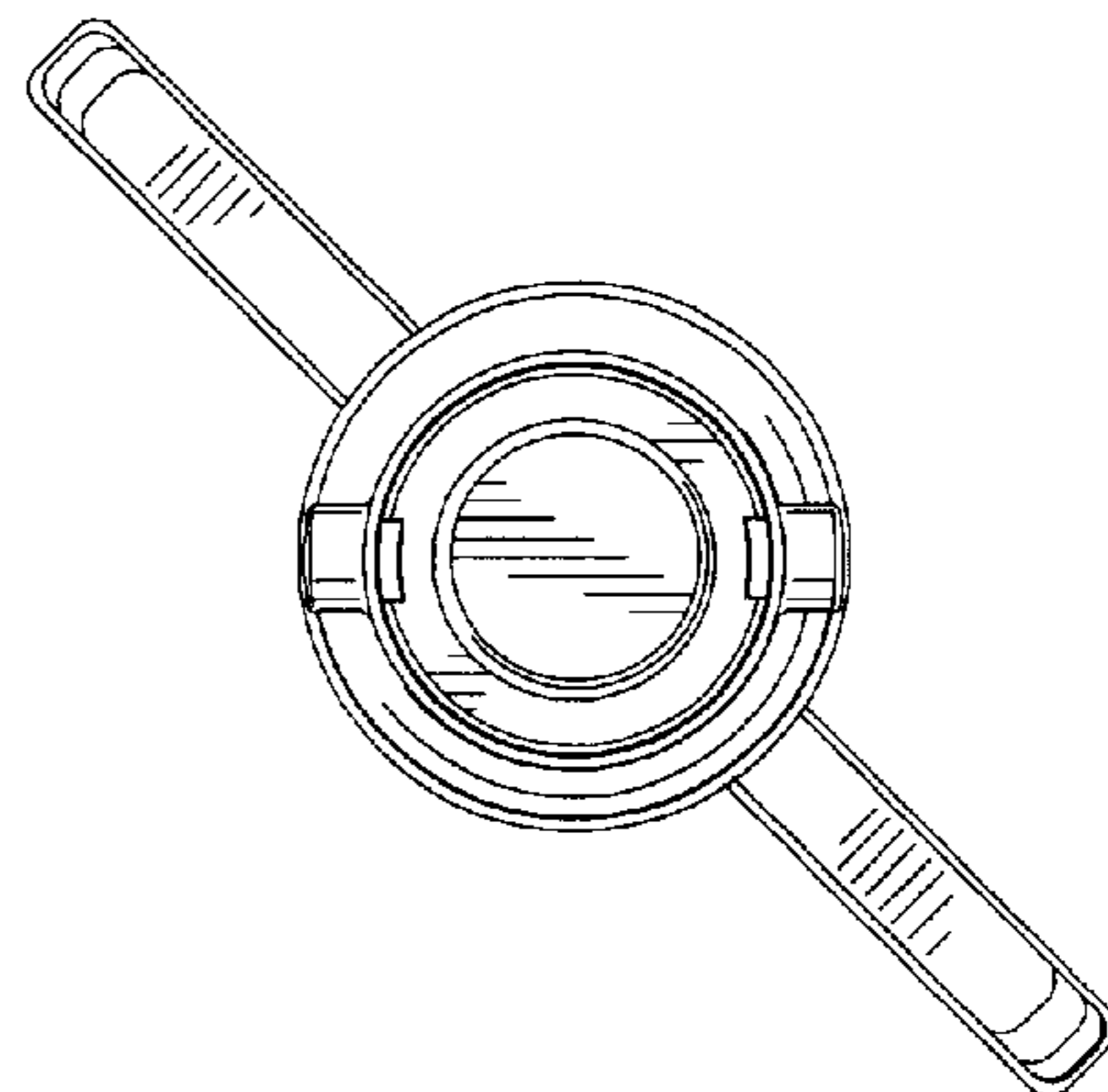


FIG. 8

