



US00D425963S

United States Patent [19] Kobayashi

[11] Patent Number: **Des. 425,963**

[45] Date of Patent: **** May 30, 2000**

[54] **FISHING REEL SPOOL**

137782 7/1985 Japan 242/613.2
694185 12/1986 Japan .
694185 9/1987 Japan .
915557 12/1994 Japan .

[75] Inventor: **Mikiharu Kobayashi**, Tokyo, Japan

[73] Assignee: **Daiwa Seiko, Inc.**, Tokyo, Japan

[**] Term: **14 Years**

[21] Appl. No.: **29/085,582**

[22] Filed: **Mar. 26, 1998**

[30] **Foreign Application Priority Data**

Sep. 30, 1997 [JP] Japan 9-69665
Feb. 27, 1998 [JP] Japan 10-5663

[51] **LOC (7) Cl.** **22-05**

[52] **U.S. Cl.** **D22/137**

[58] **Field of Search** D22/137, 140,
D22/141, 138, 134; 242/118.3, 118.4, 118.6,
118.7, 129.5, 129.7, 311, 322, 613.1, 613.2;
D21/445, 455, 460, 461, 463; D12/207

[56] **References Cited**

U.S. PATENT DOCUMENTS

D. 248,640 7/1978 Hsieh D12/207
D. 260,420 8/1981 Radocy D22/137
D. 281,155 10/1985 Scura D12/207
D. 350,922 9/1994 Inatani D12/207
D. 394,299 5/1998 Miyazaki et al. D22/137
4,602,751 7/1986 Vogel 242/118.4

FOREIGN PATENT DOCUMENTS

527924 1/1955 Italy 242/118.7

Primary Examiner—Louis S. Zarfes
Assistant Examiner—Inga-Maria Hyttinen
Attorney, Agent, or Firm—Sughrue, Mion, Zinn, Macpeak
& Seas, PLLC

[57] **CLAIM**

The ornamental design for a fishing reel spool, as shown and described.

DESCRIPTION

FIG. 1 is a perspective view of a fishing reel spool showing my new design, it being understood that the hole pattern is repeated uniformly throughout the circumference of the spool;
FIG. 2 is a side elevational view of one side, the opposite side being a mirror image thereof;
FIG. 3 is a rear elevational view thereof;
FIG. 4 is a top plan view, the bottom plan view being a mirror image thereof;
FIG. 5 is a front elevational view thereof;
FIG. 6 is a perspective view similar to FIG. 1 showing a modified design thereof;
FIG. 7 is a side elevational view thereof, it being understood that the hole pattern is repeated uniformly throughout the circumference of the spool; and,
FIG. 8 is a front elevational view thereof, the rear view being a mirror image thereof.

1 Claim, 2 Drawing Sheets

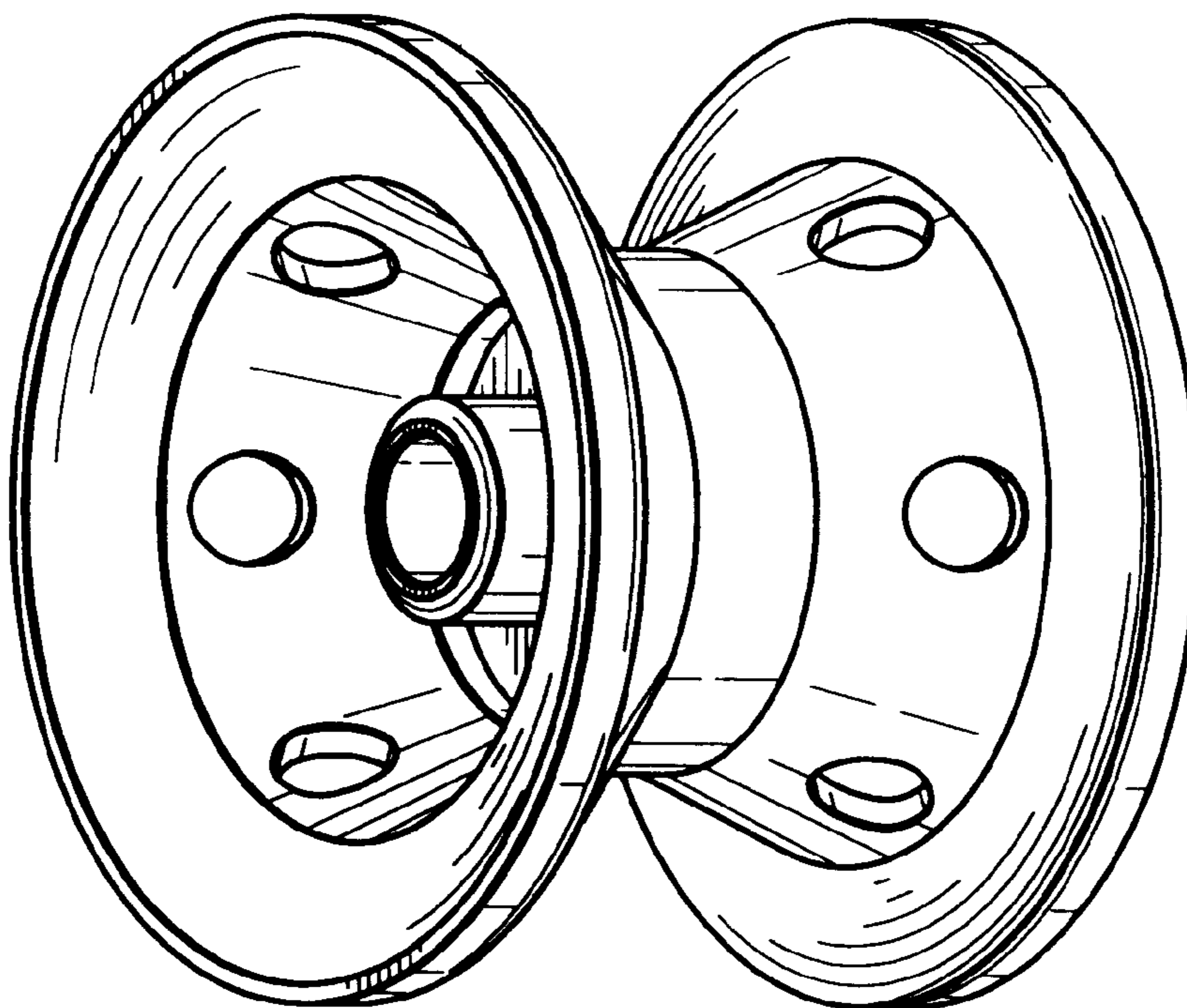


FIG. 1

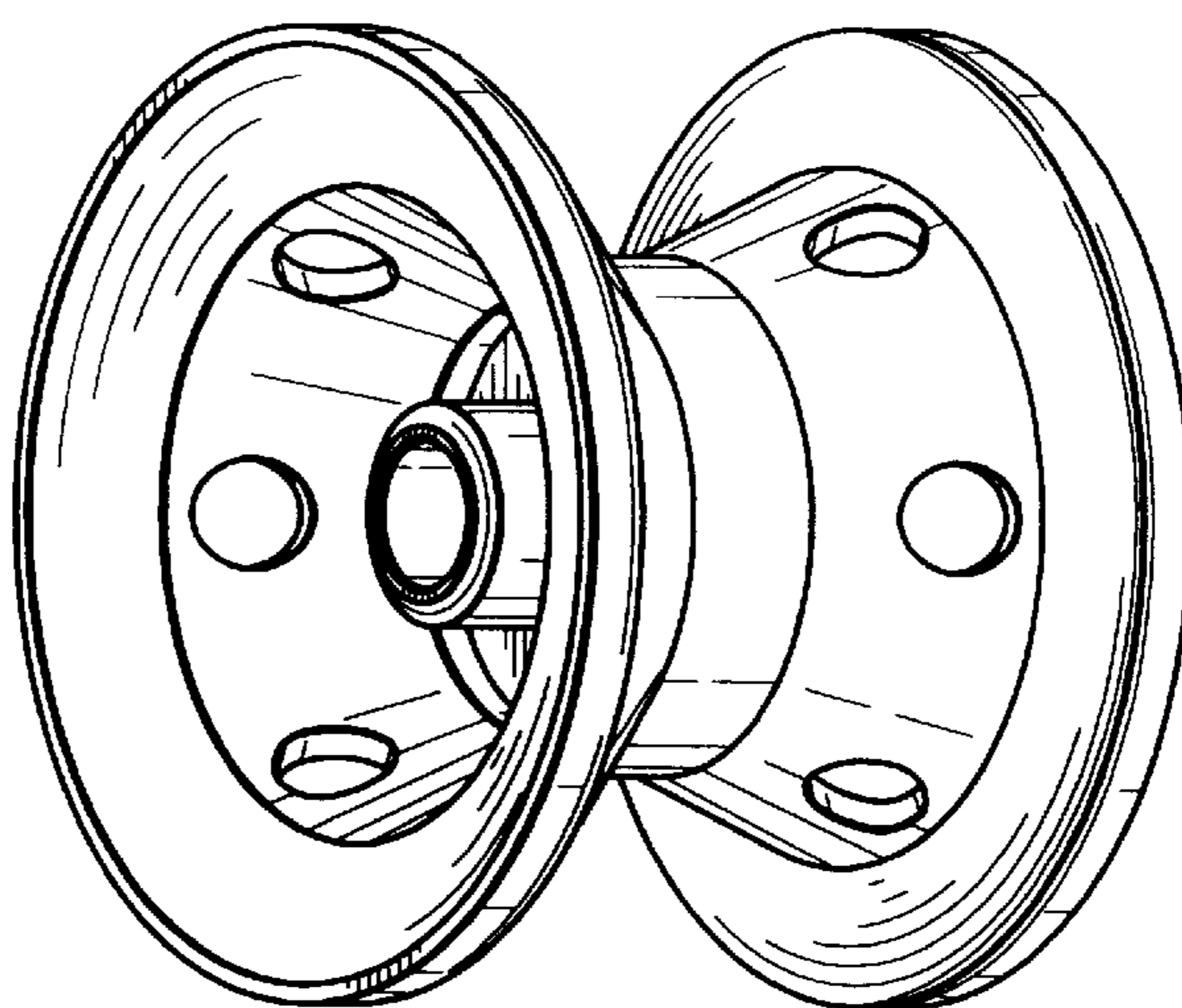


FIG. 2

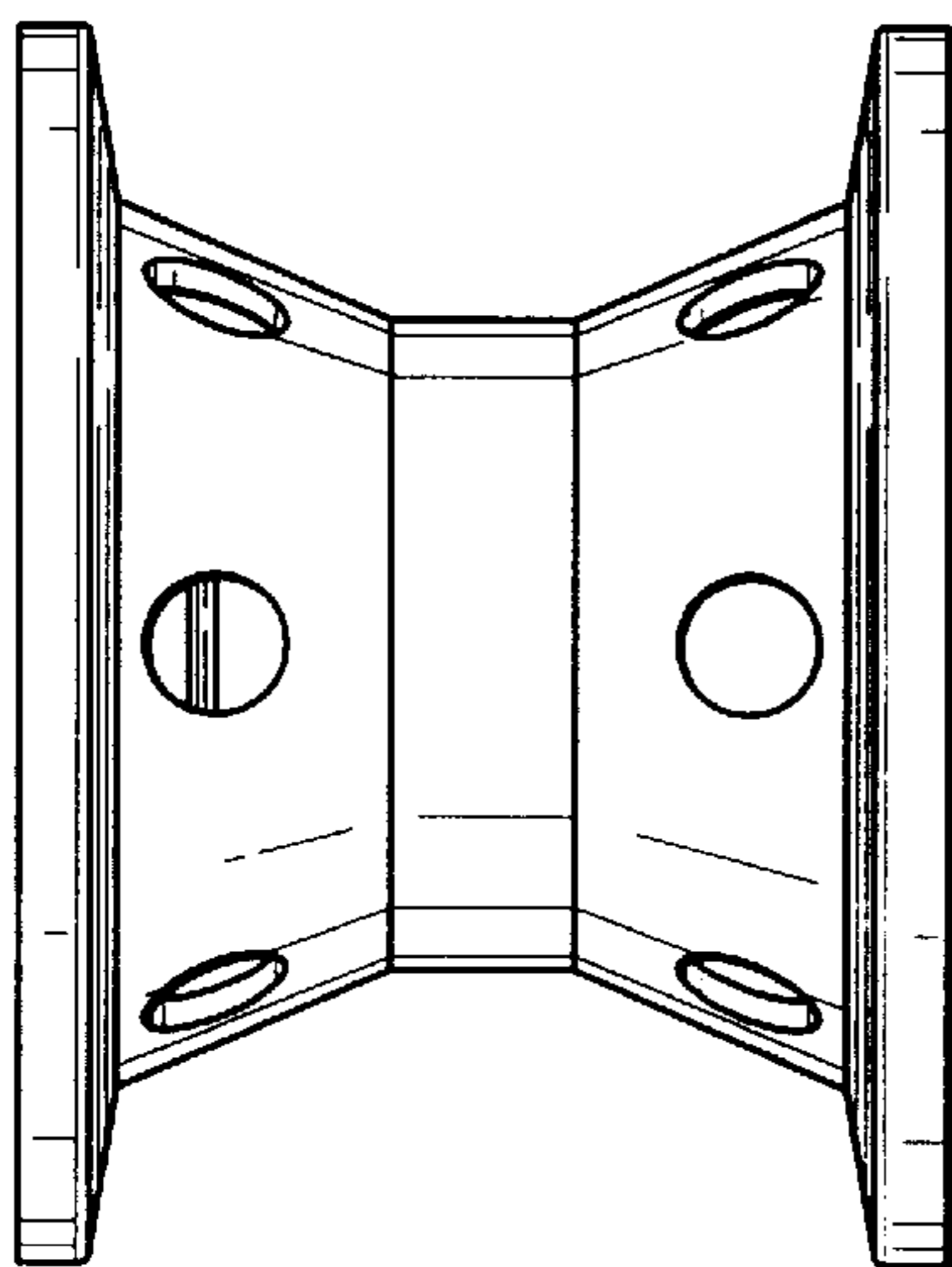


FIG. 3

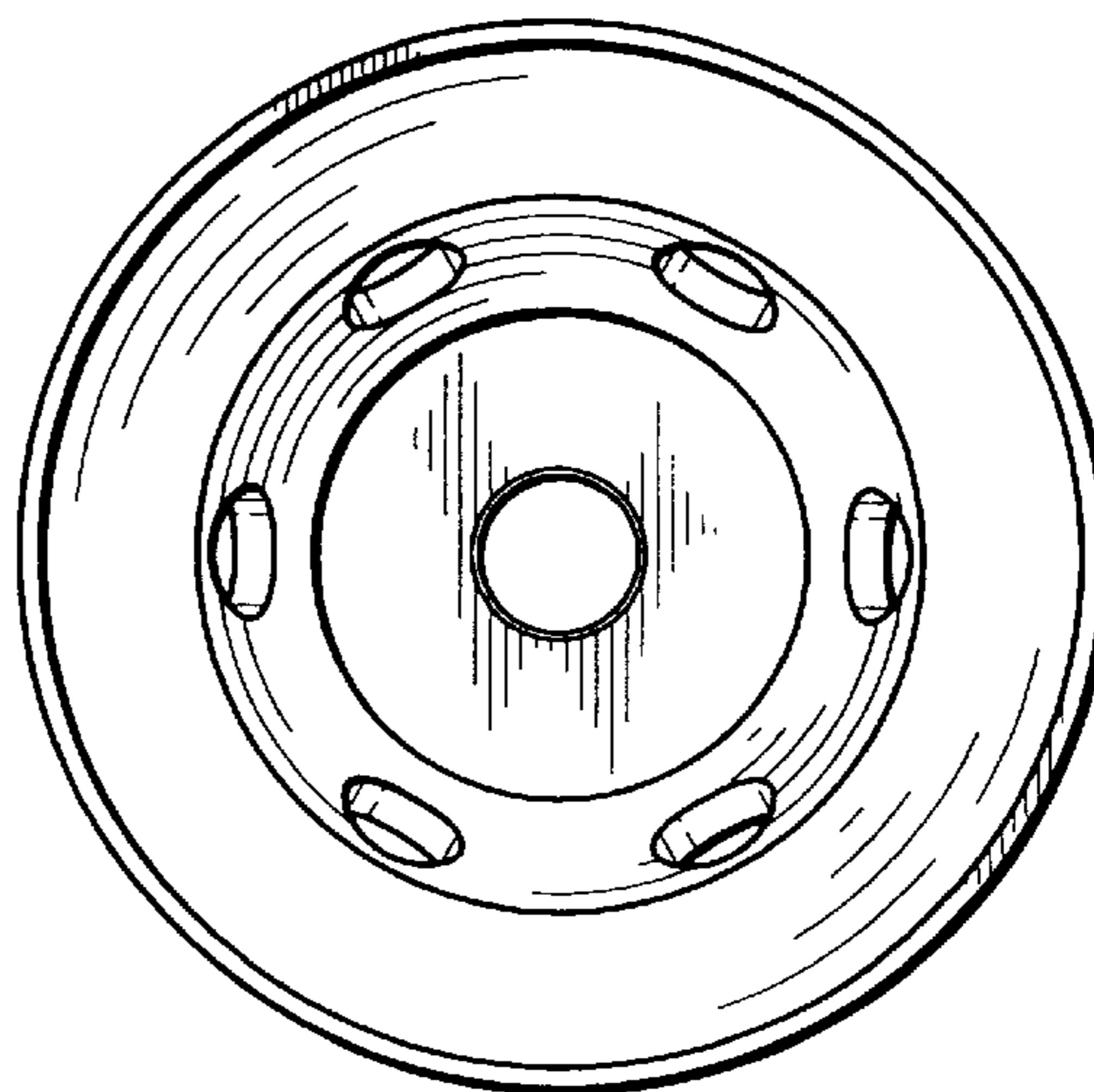


FIG. 4

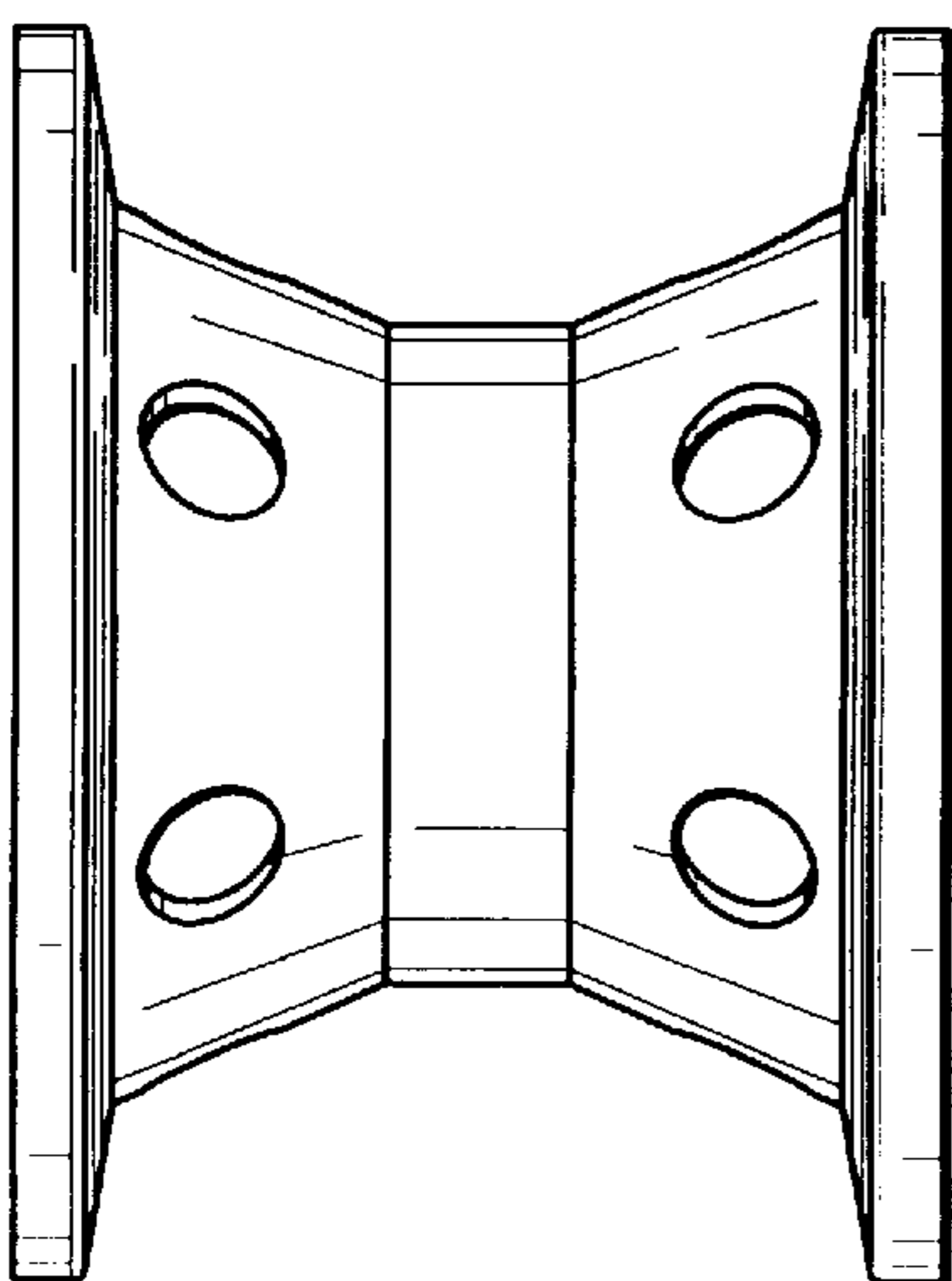


FIG. 5

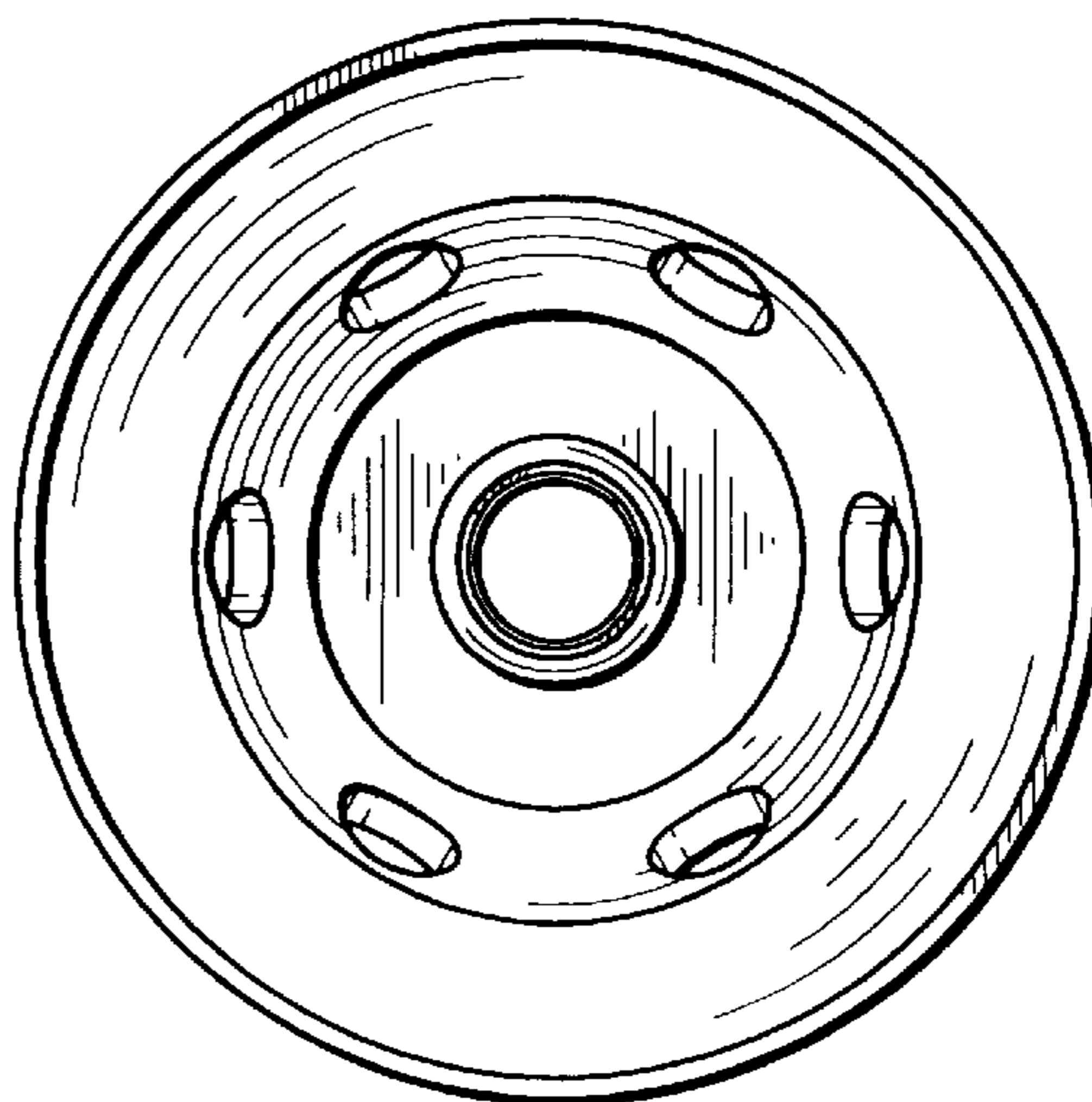


FIG. 6

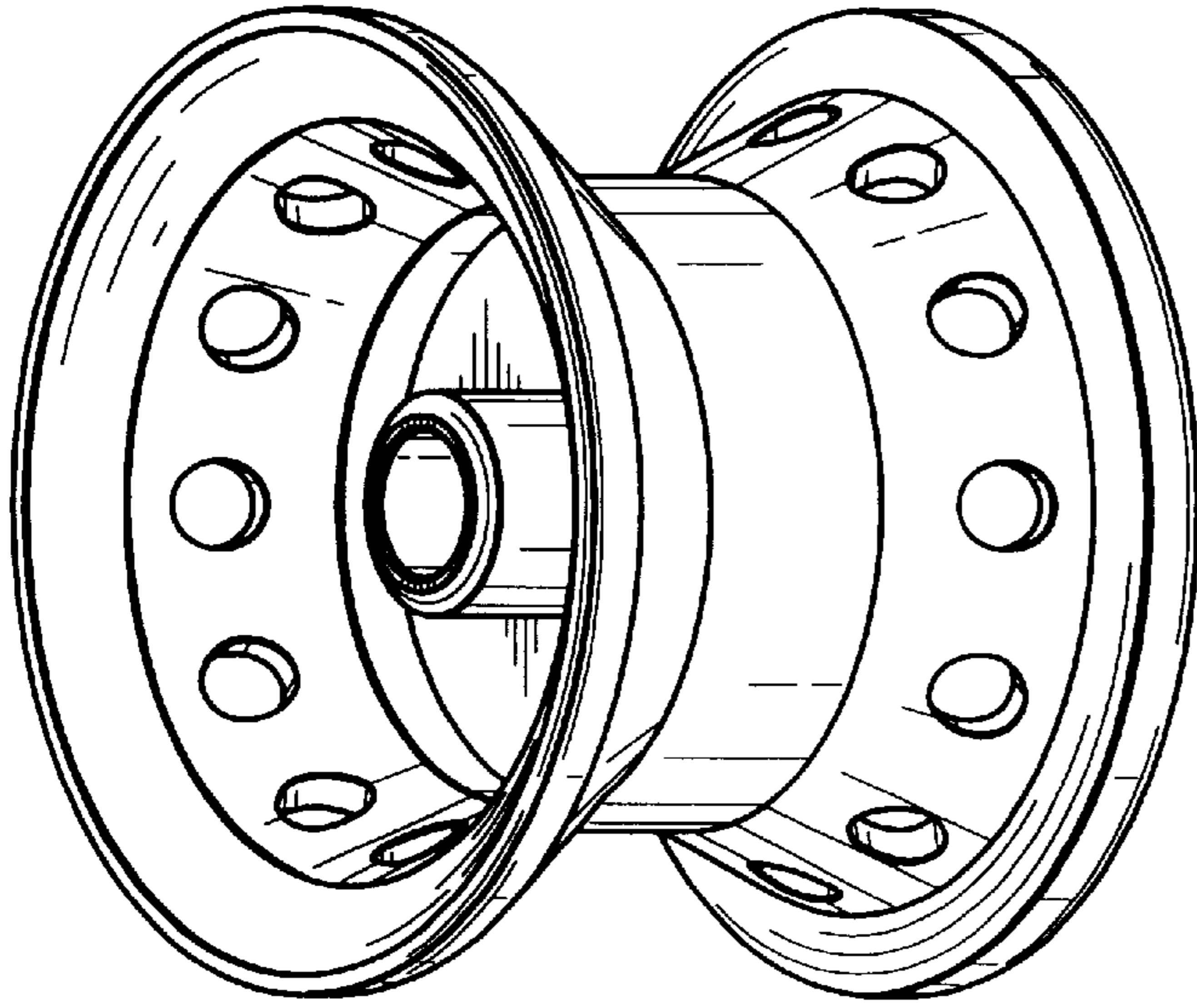


FIG. 7

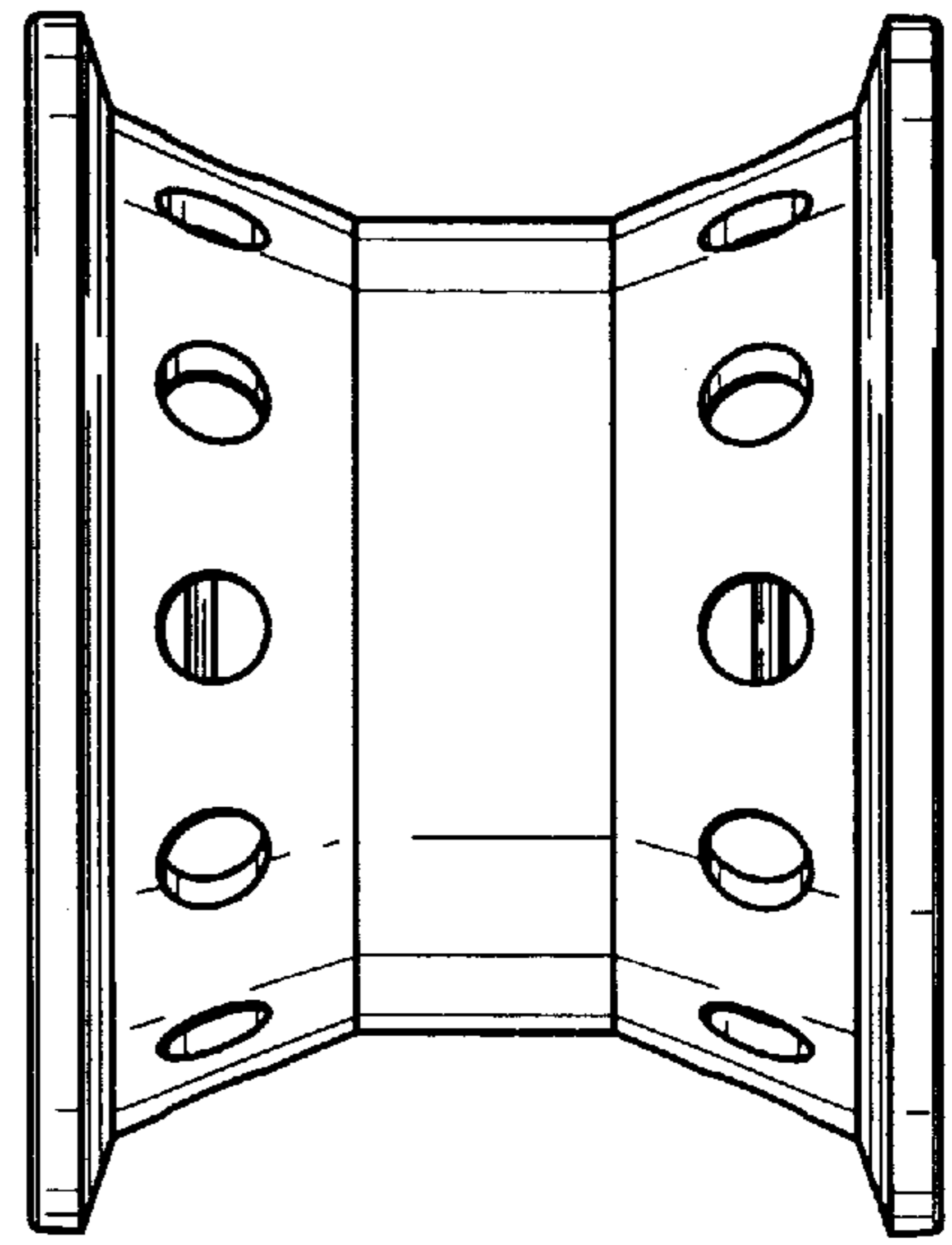


FIG. 8

