



US00D425960S

# United States Patent [19] O'Hara

[11] **Patent Number: Des. 425,960**

[45] **Date of Patent: \*\* May 30, 2000**

[54] **RODENT TRAP GUARD HOUSING**

[75] Inventor: **Jerome P. O'Hara**, Glenview, Ill.

[73] Assignee: **Anderson Environmental Systems**,  
Elmhurst, Ill.

[\*\*] Term: **14 Years**

[21] Appl. No.: **29/109,596**

[22] Filed: **Aug. 17, 1999**

[51] **LOC (7) Cl.** ..... **22-06**

[52] **U.S. Cl.** ..... **D22/119**

[58] **Field of Search** ..... D22/119; 43/65,  
43/124; D25/119, 164

[56] **References Cited**

**U.S. PATENT DOCUMENTS**

D. 262,732	1/1982	Warren et al.	.....	D22/119
D. 335,324	5/1993	Burris et al.	.....	D22/119
D. 362,045	9/1995	Demarest	.....	D22/122
D. 386,554	11/1997	Brewer	.....	D22/119
D. 405,862	2/1999	Shultz	.....	D22/119
3,965,609	6/1976	Jordan	.....	D22/119
4,288,940	9/1981	Ensey	.....	D22/119

**OTHER PUBLICATIONS**

The Washington Post Magazine, trap, top left corner of p. 25,  
D22/119, Nov. 1981.

Product Literature for "Protector", available circa 1989,  
manufactured by Kness Mfr., Albia, IA.

*Primary Examiner*—Louis S. Zarfes  
*Assistant Examiner*—Inga-Maria Hyttinen

*Attorney, Agent, or Firm*—Juettner Pyle & Piontek

[57] **CLAIM**

The ornamental design for a rodent trap guard housing, as  
shown and described.

**DESCRIPTION**

FIG. 1 is a front side perspective view of a first embodiment  
of the rodent trap guard housing;

FIG. 2 is a top plan view of a first embodiment of the  
housing;

FIG. 3 is a front, elevational view of a first embodiment of  
the housing;

FIG. 4 is a right side elevational view of a first embodiment  
of the housing;

FIG. 5 is a left side elevational view of a first embodiment  
of the housing;

FIG. 6 is a bottom plan view of a first embodiment of the  
housing;

FIG. 7 is a front side perspective view of a second embodi-  
ment of the rodent trap guard housing;

FIG. 8 is a top plan view of a second embodiment of the  
housing;

FIG. 9 is a front, elevational view of a second embodiment  
of the housing;

FIG. 10 is a right side elevational view of a second embodi-  
ment of the housing;

FIG. 11 is a left side elevational view of a second embodi-  
ment of the housing; and,

FIG. 12 is a bottom plan view of a second embodiment of  
the housing.

**1 Claim, 5 Drawing Sheets**

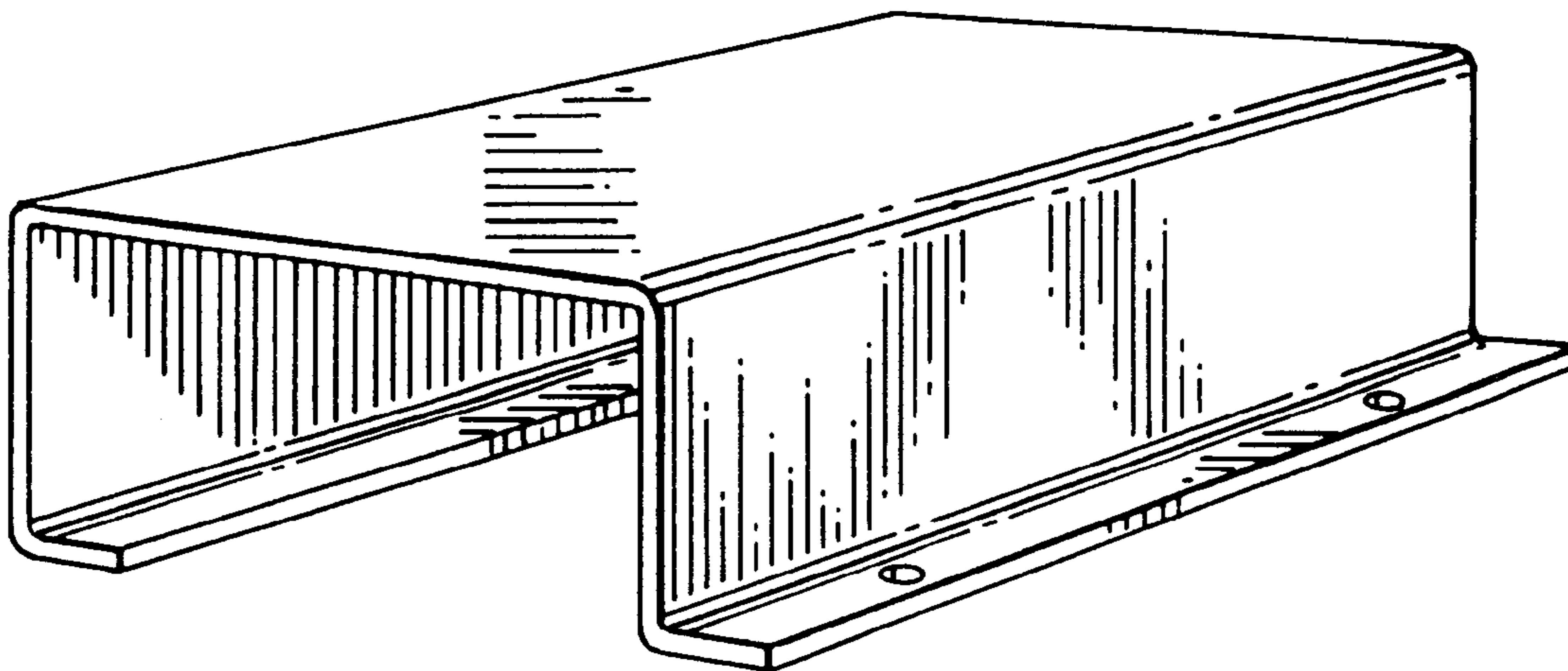


FIG. 1

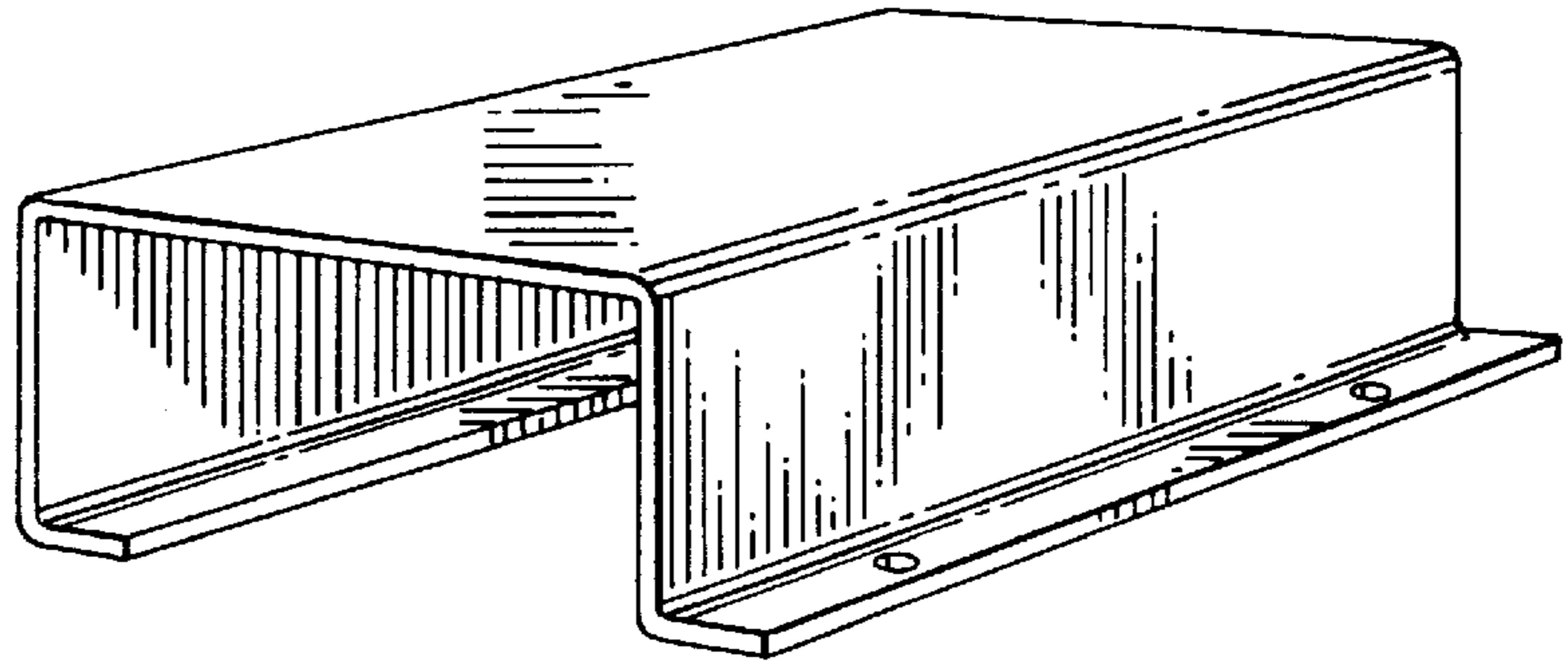


FIG. 2

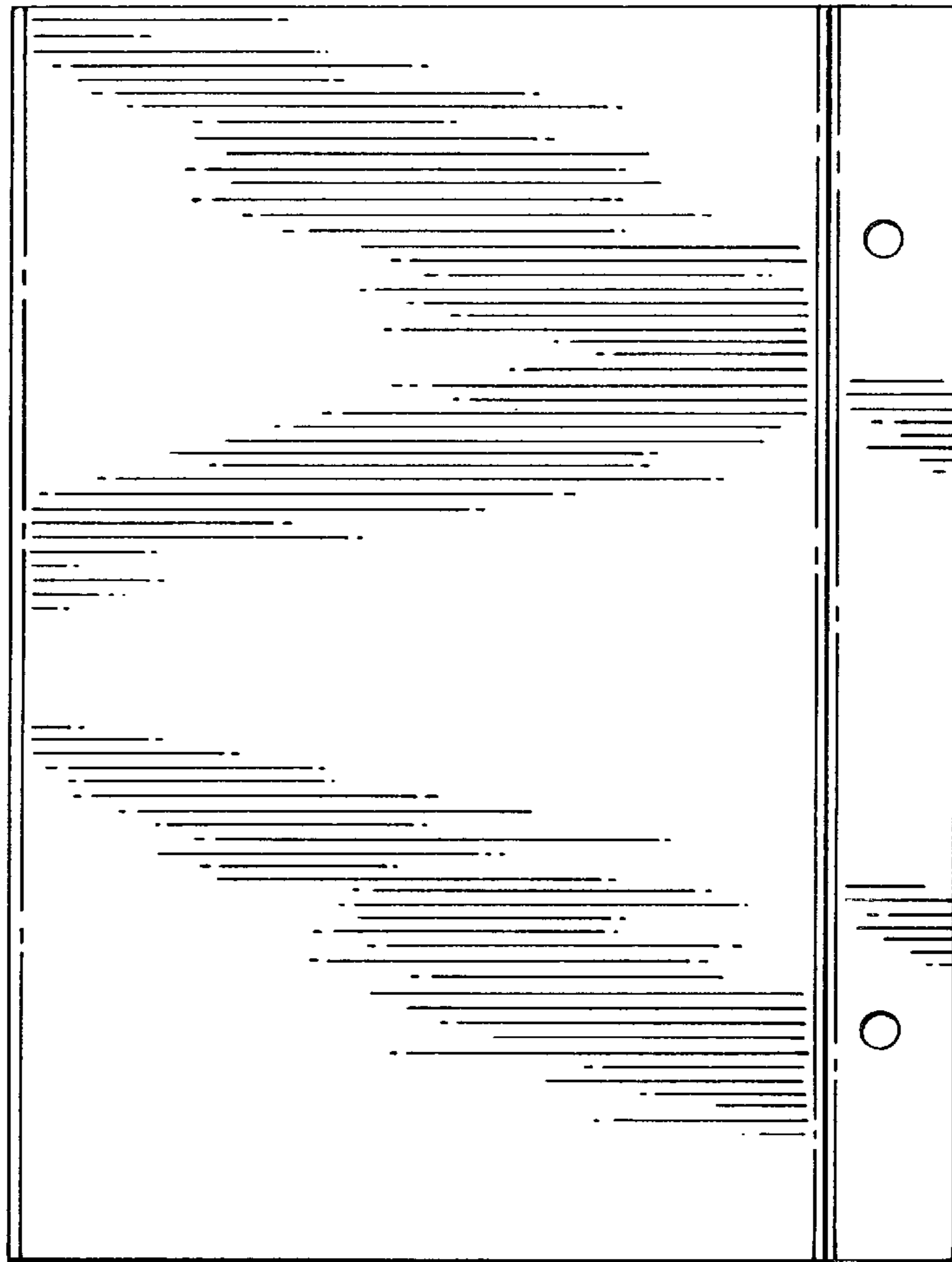


FIG. 3

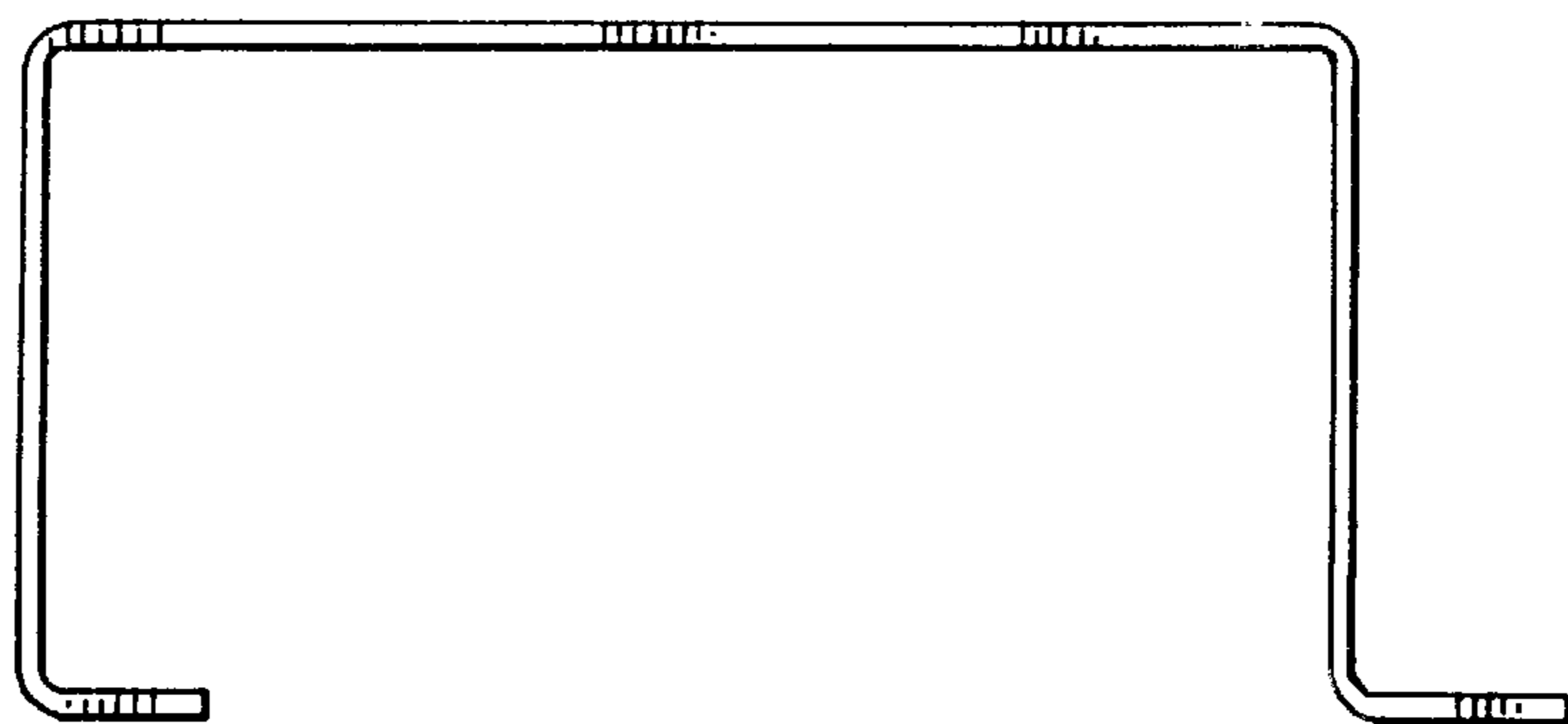


FIG. 4

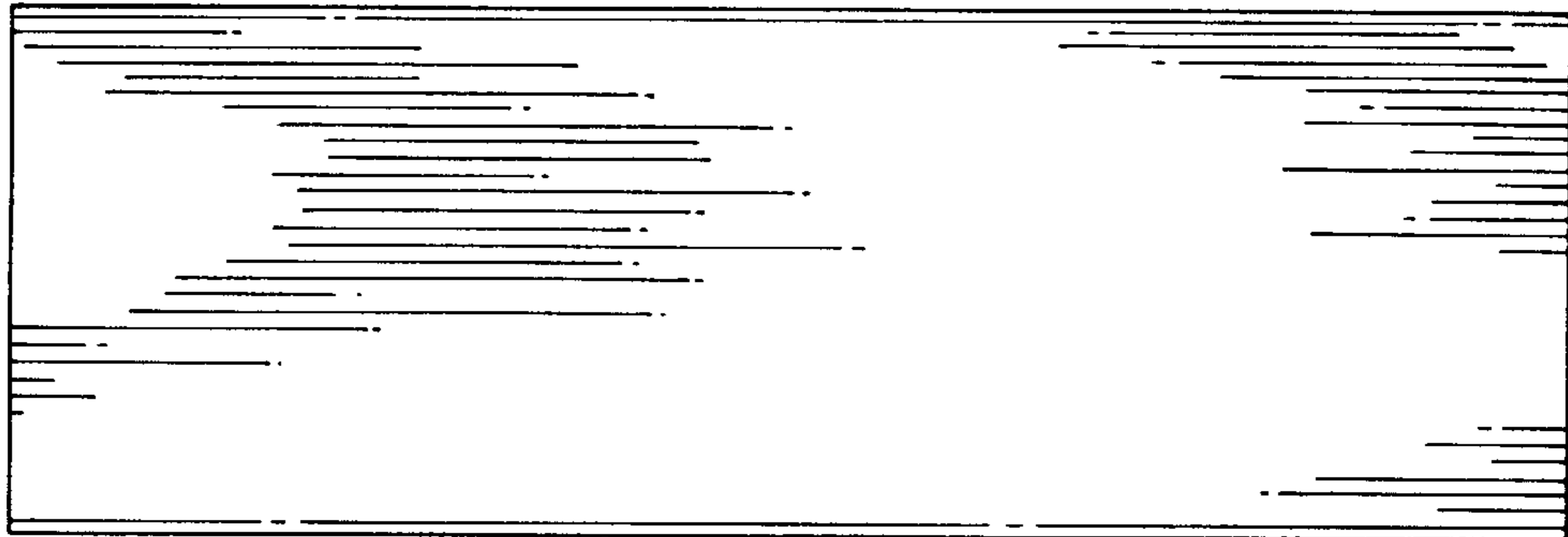
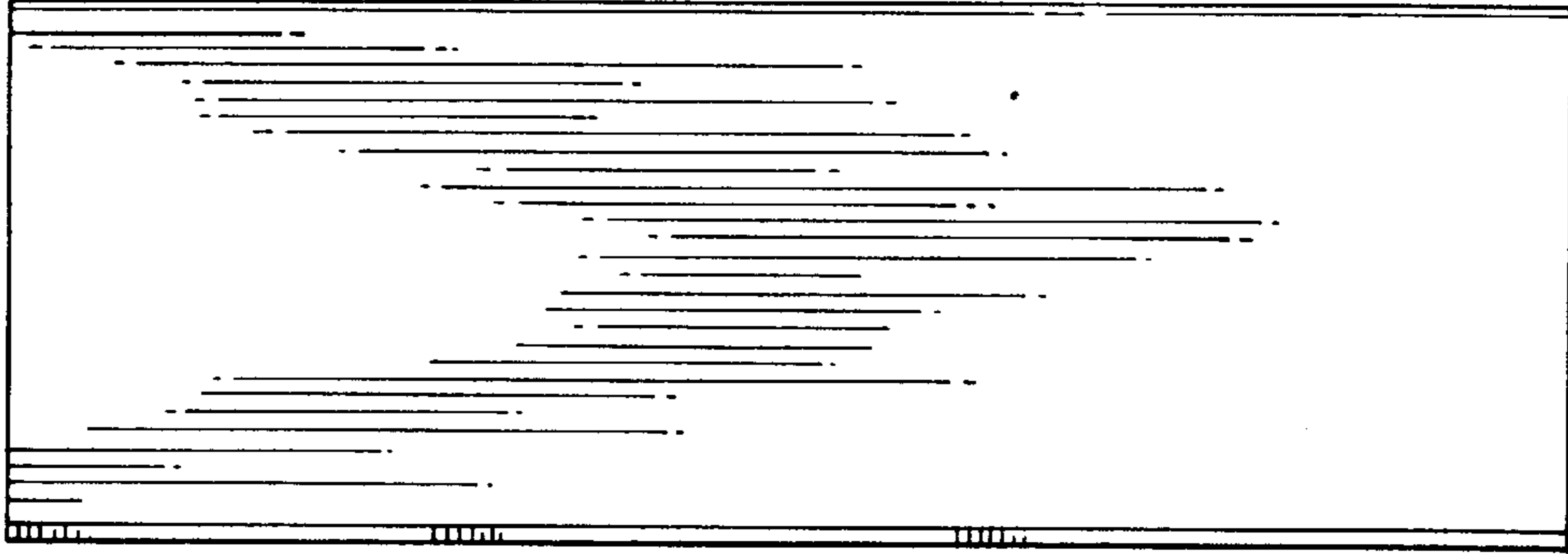


FIG. 5

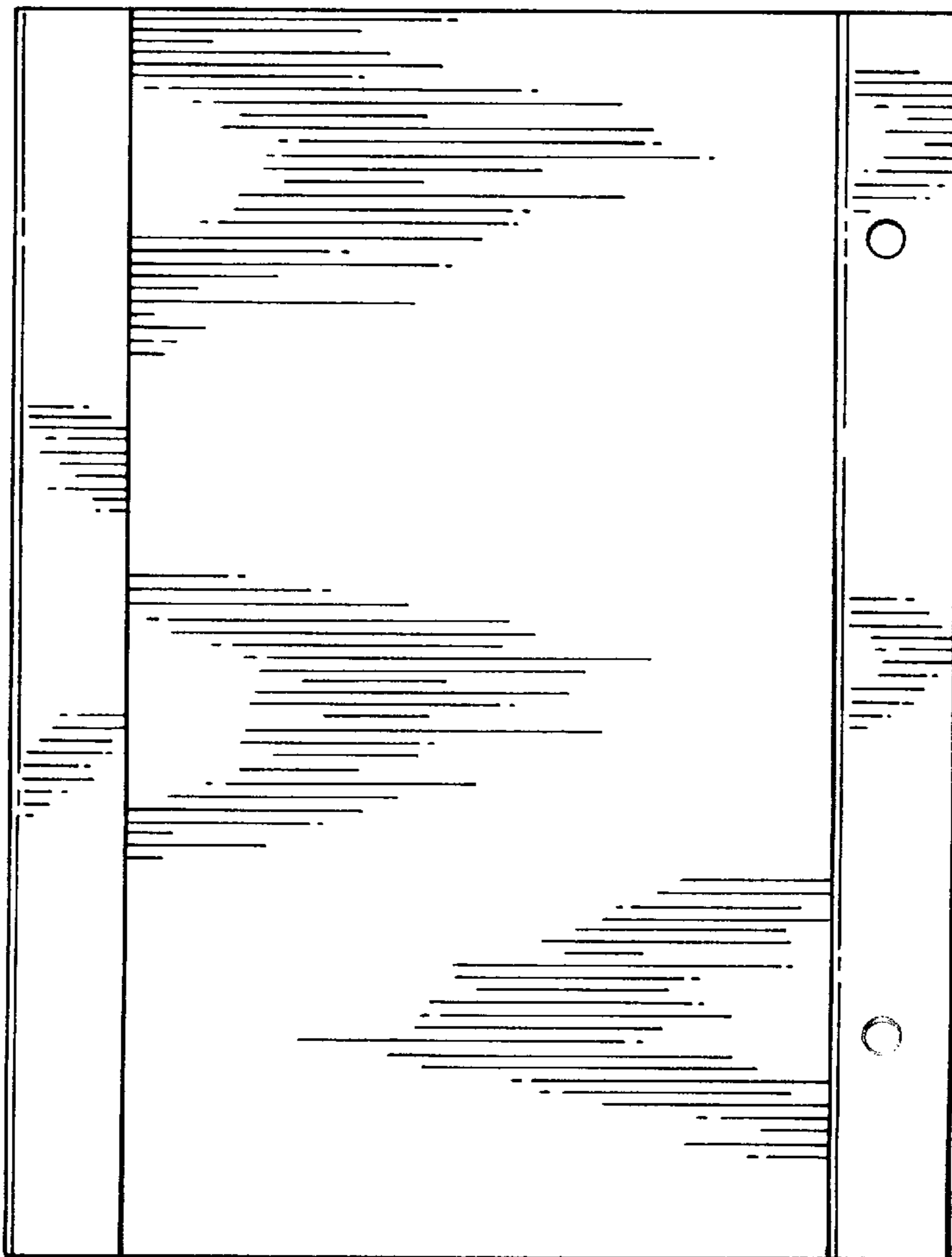


FIG. 6

FIG. 7

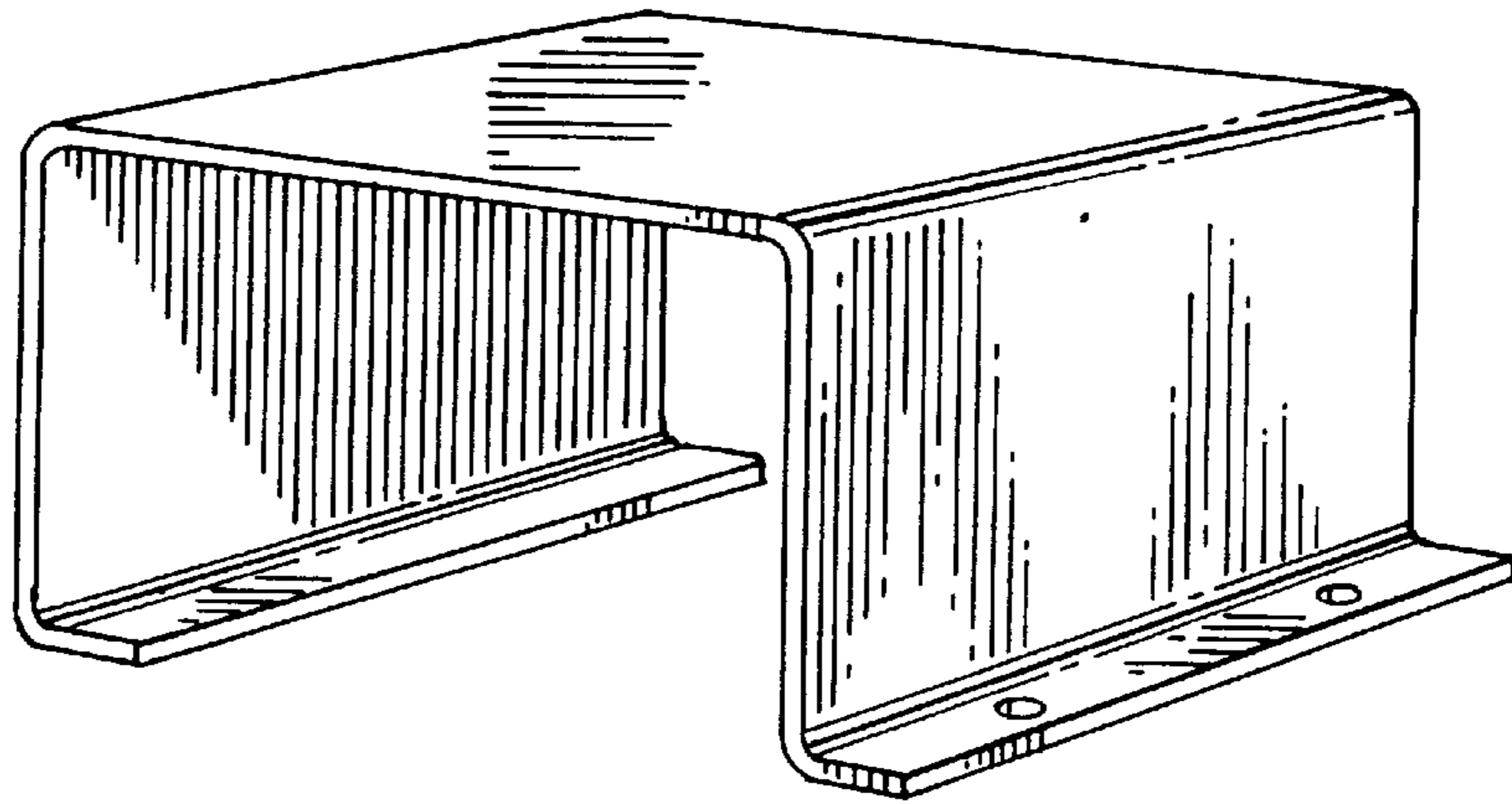


FIG. 8

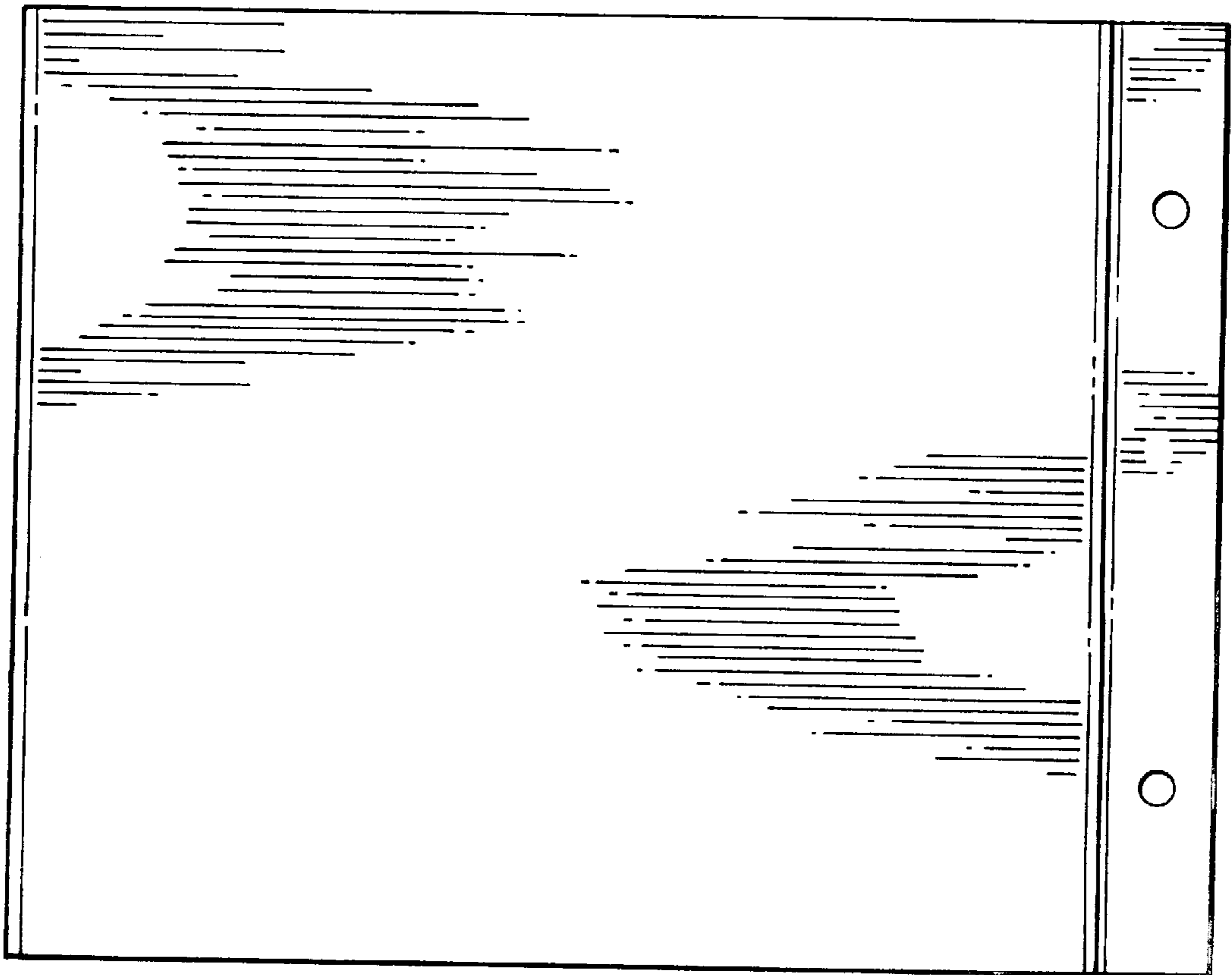


FIG. 9

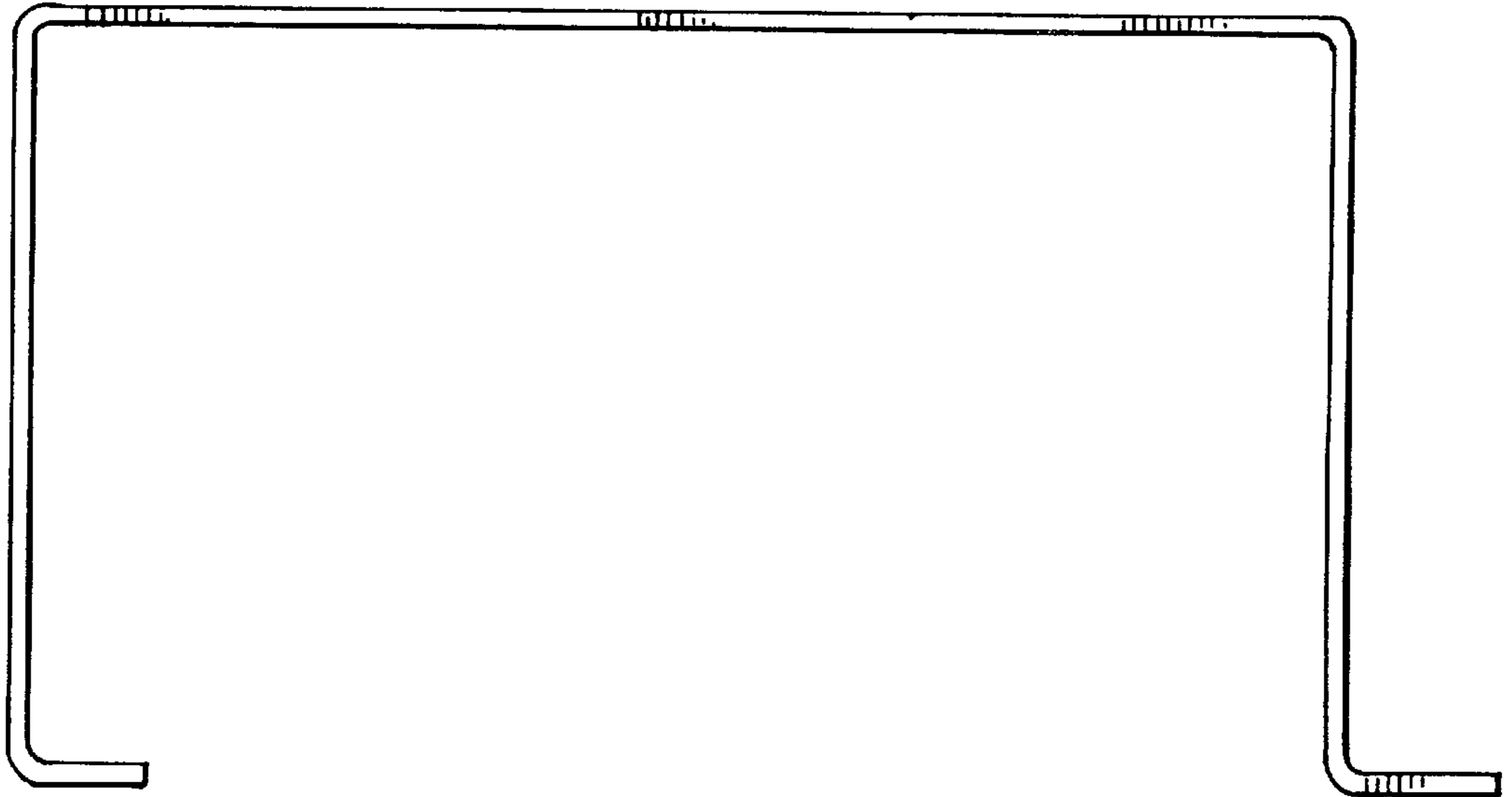


FIG. 10

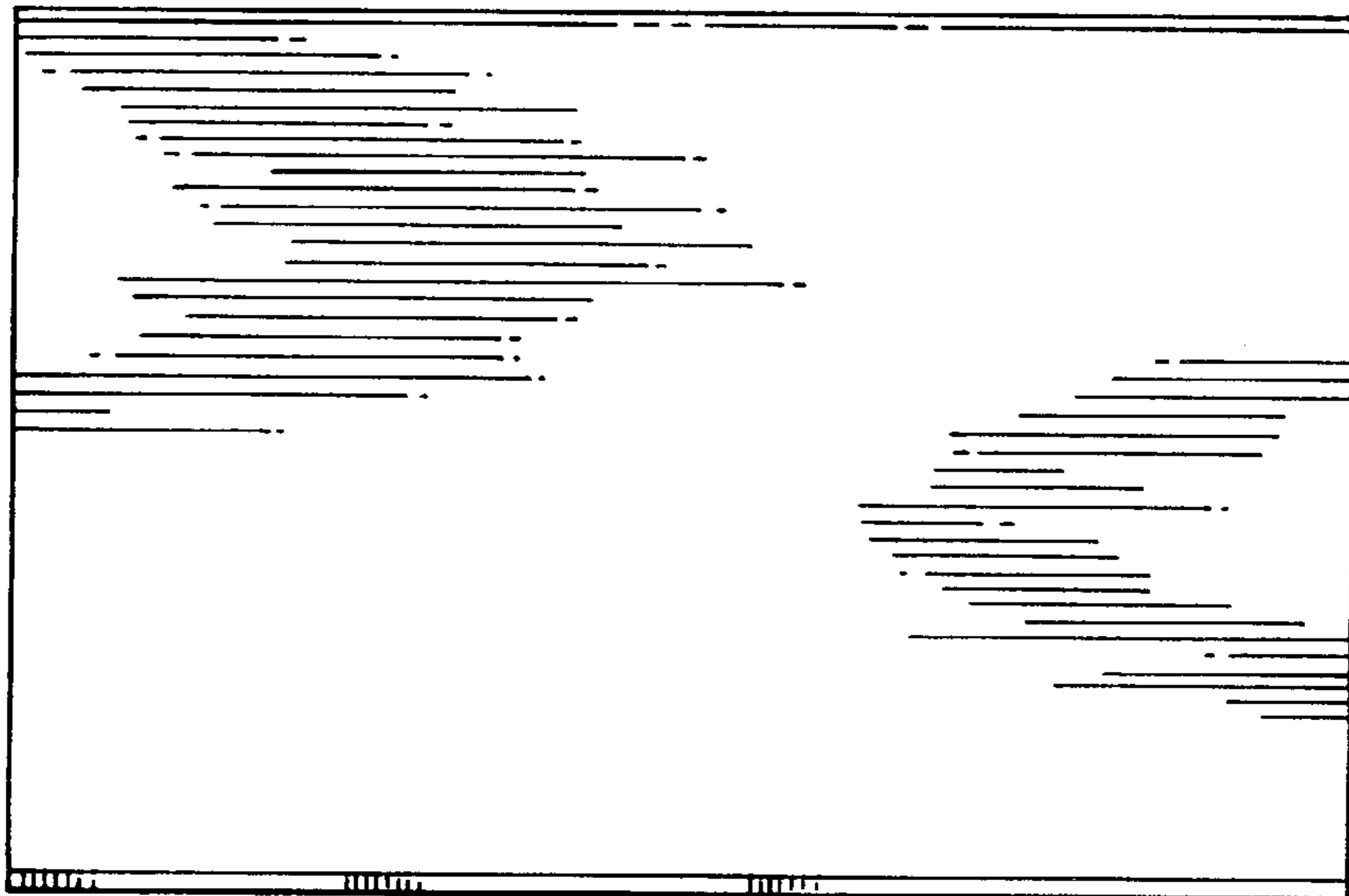


FIG. 11

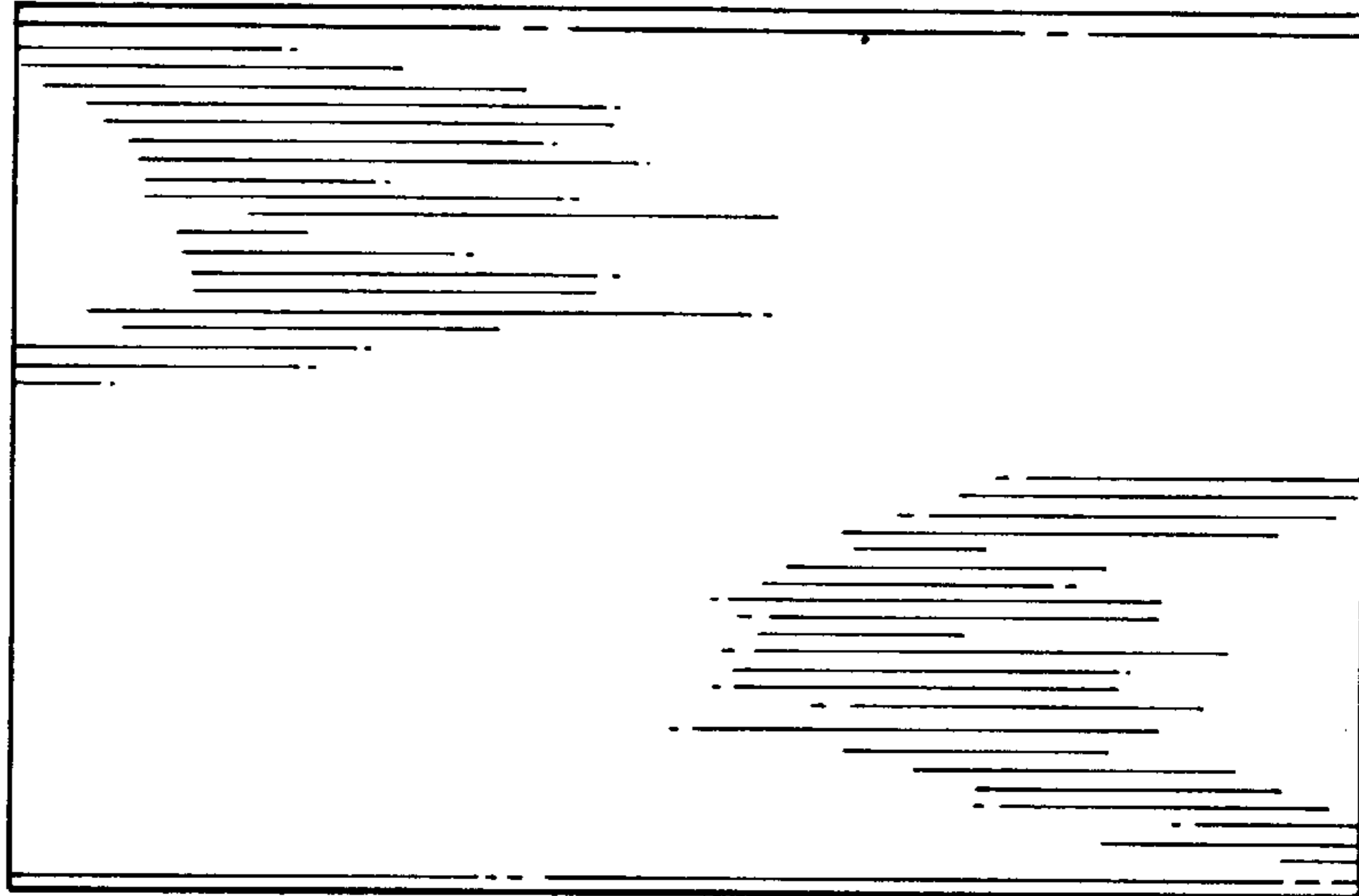


FIG. 12

