



US00D425956S

# United States Patent [19]

Beirne, Jr. et al.

[11] Patent Number: **Des. 425,956**

[45] Date of Patent: **\*\* May 30, 2000**

[54] **UNITARY BOWLING BALL RETURN TRACK**

[76] Inventors: **D. Peter Beirne, Jr.; Tony Potenza,**  
both of Winchester Fabricators, Inc.,  
1900 Federal Pkwy., Columbus, Ohio  
43207

[\*\*] Term: **14 Years**

[21] Appl. No.: **29/069,043**

[22] Filed: **Mar. 18, 1997**

[51] **LOC (7) Cl.** ..... **21-01**

[52] **U.S. Cl.** ..... **D21/785; D21/385**

[58] **Field of Search** ..... **D21/785; 473/22,**  
**473/54, 106-117; D25/119, 120, 121, 123,**  
**125**

[56] **References Cited**

**U.S. PATENT DOCUMENTS**

D. 238,380	1/1976	Meade .....	D21/785
D. 301,909	6/1989	Heddon .....	D21/785
D. 351,888	10/1994	Stephens .....	D21/785
D. 355,947	2/1995	Kang .	
D. 359,096	6/1995	Kane .....	D21/785
D. 360,449	7/1995	Woyski .	
D. 367,097	2/1996	Stirling et al. .	
3,215,433	11/1965	Thomsen .	
3,304,086	2/1967	Schankler .	
3,304,087	2/1967	Untiedt .	

3,466,041	9/1969	Byrd et al. .	
3,649,012	3/1972	Zuercher .	
3,761,086	9/1973	Miller .	
3,899,171	8/1975	Haller .	
4,022,468	5/1977	Camilleri .	
4,330,122	5/1982	Sheinberg et al. ....	473/109
4,509,752	4/1985	Schmid .	
4,640,511	2/1987	Peranza .	
4,770,417	9/1988	Blair .	
5,181,716	1/1993	Stephens .....	473/113 X
5,292,121	3/1994	Heddon .	
5,358,448	10/1994	Stephens .....	473/113
5,449,327	9/1995	Heddon et al. .	
5,800,274	9/1998	Widrick et al. ....	473/113 X

*Primary Examiner*—Prabhakar Deshmukh

[57] **CLAIM**

The ornamental design for a unitary bowling ball return track, as shown and described.

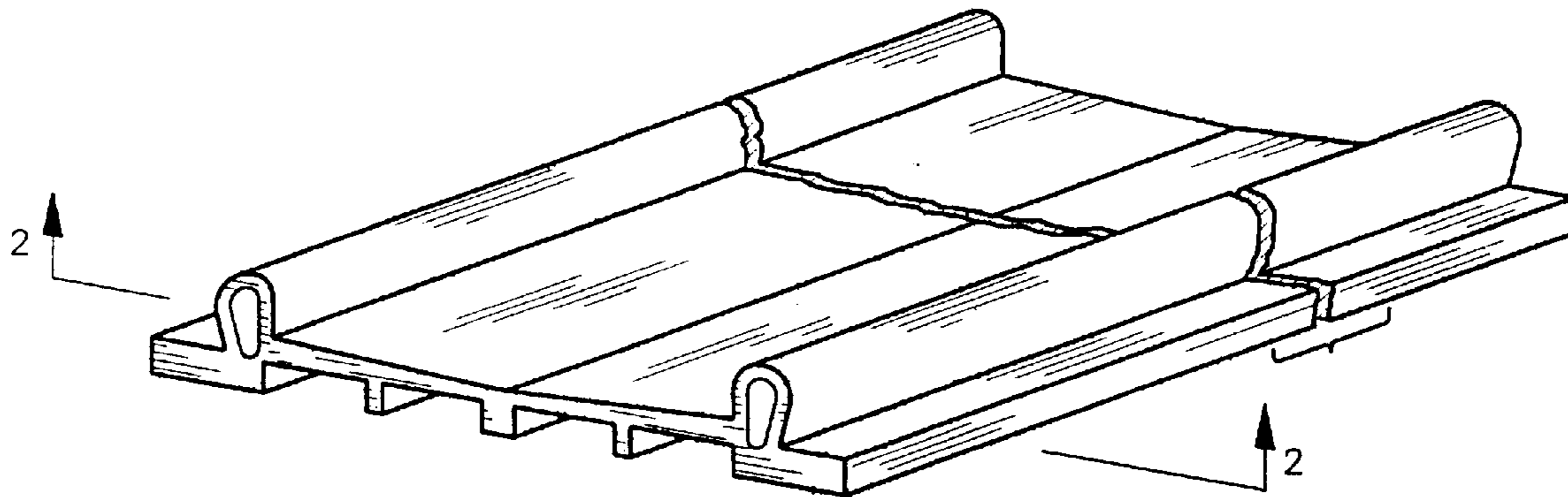
**DESCRIPTION**

FIG. 1 is a perspective view of a unitary bowling ball return track showing our new design; and, FIG. 2 is a sectional view thereof taken along line 2—2 of FIG. 1.

It is understood that the broken lines in FIG. 1 indicate a continuation of the claimed design.

The bottom of the claimed design is plain and unadorned.

**1 Claim, 2 Drawing Sheets**



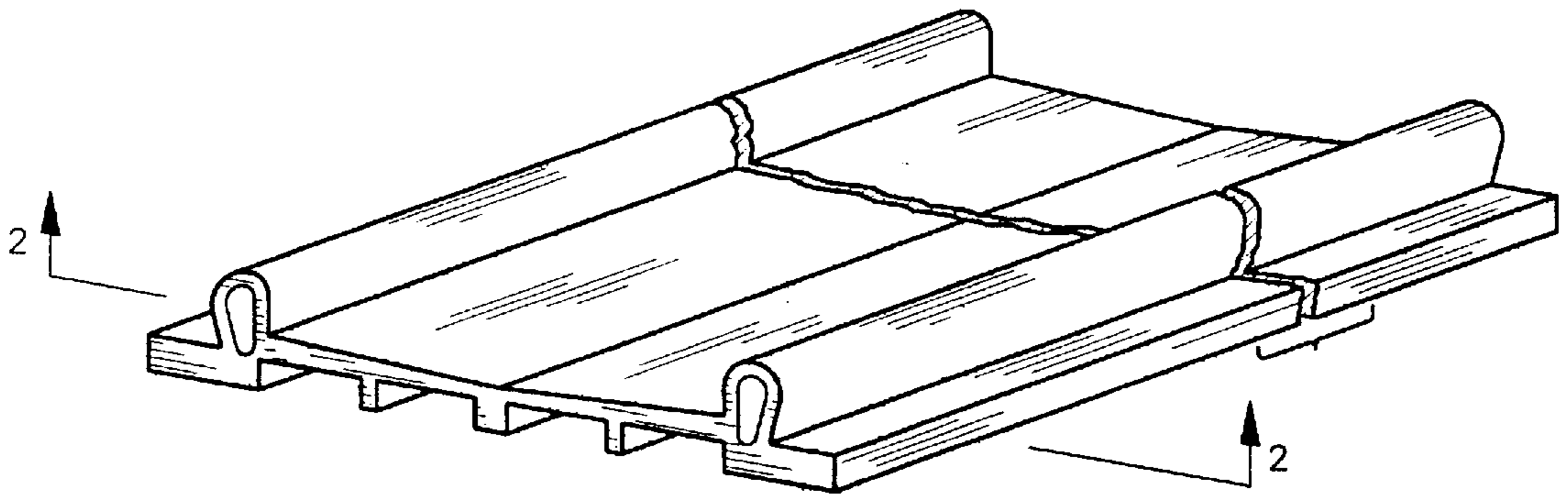


FIG. 1

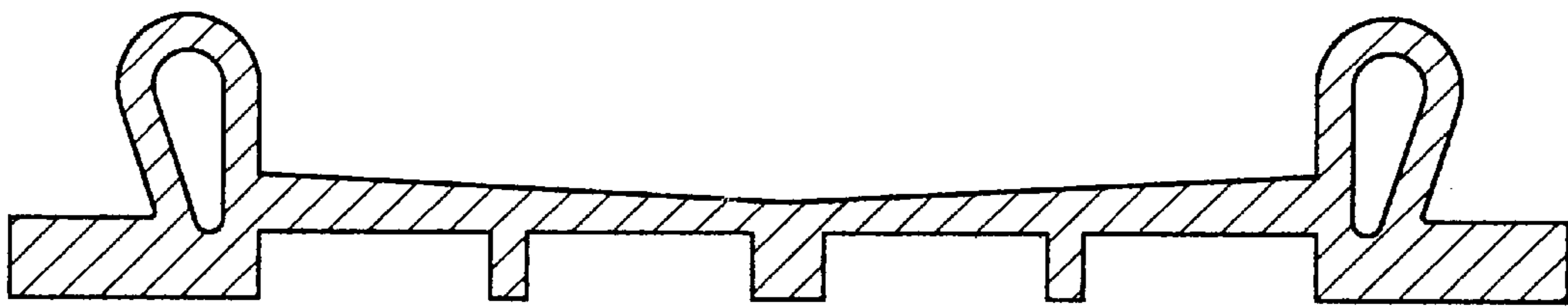


FIG-2