



US00D425946S

United States Patent [19]
Wei

[11] **Patent Number: Des. 425,946**

[45] **Date of Patent: ** May 30, 2000**

[54] **TOY TRAIN**

[75] **Inventor: Kam Wah Wei**, Kowloon, The Hong Kong Special Administrative Region of the People's Republic of China

[73] **Assignee: Wah Hing Toys Development Co., Ltd.**, The Hong Kong Special Administrative Region of the People's Republic of China

[**] **Term: 14 Years**

[21] **Appl. No.: 29/102,415**

[22] **Filed: Mar. 24, 1999**

[30] **Foreign Application Priority Data**

Feb. 11, 1999 [HK] The Hong Kong Special Administrative Region of the People's Republic of China 9910199.OM002

[51] **LOC (7) Cl. 21-01**

[52] **U.S. Cl. D21/541**

[58] **Field of Search** D21/540, 541, D21/424, 426, 427; D12/38; 446/410, 447, 455, 467; 280/87.01, 828; 104/DIG. 1; 105/1.5, 29.2

[56] **References Cited**

U.S. PATENT DOCUMENTS

D. 257,734	12/1980	Rosenberg	D21/541
D. 318,880	8/1991	Cheung et al.	D21/541
D. 389,534	1/1998	Schulz	D21/541
3,982,459	9/1976	Akiyama	446/410

Primary Examiner—Raphael Barkai
Attorney, Agent, or Firm—Hall, Priddy, Myers & Vande Sande

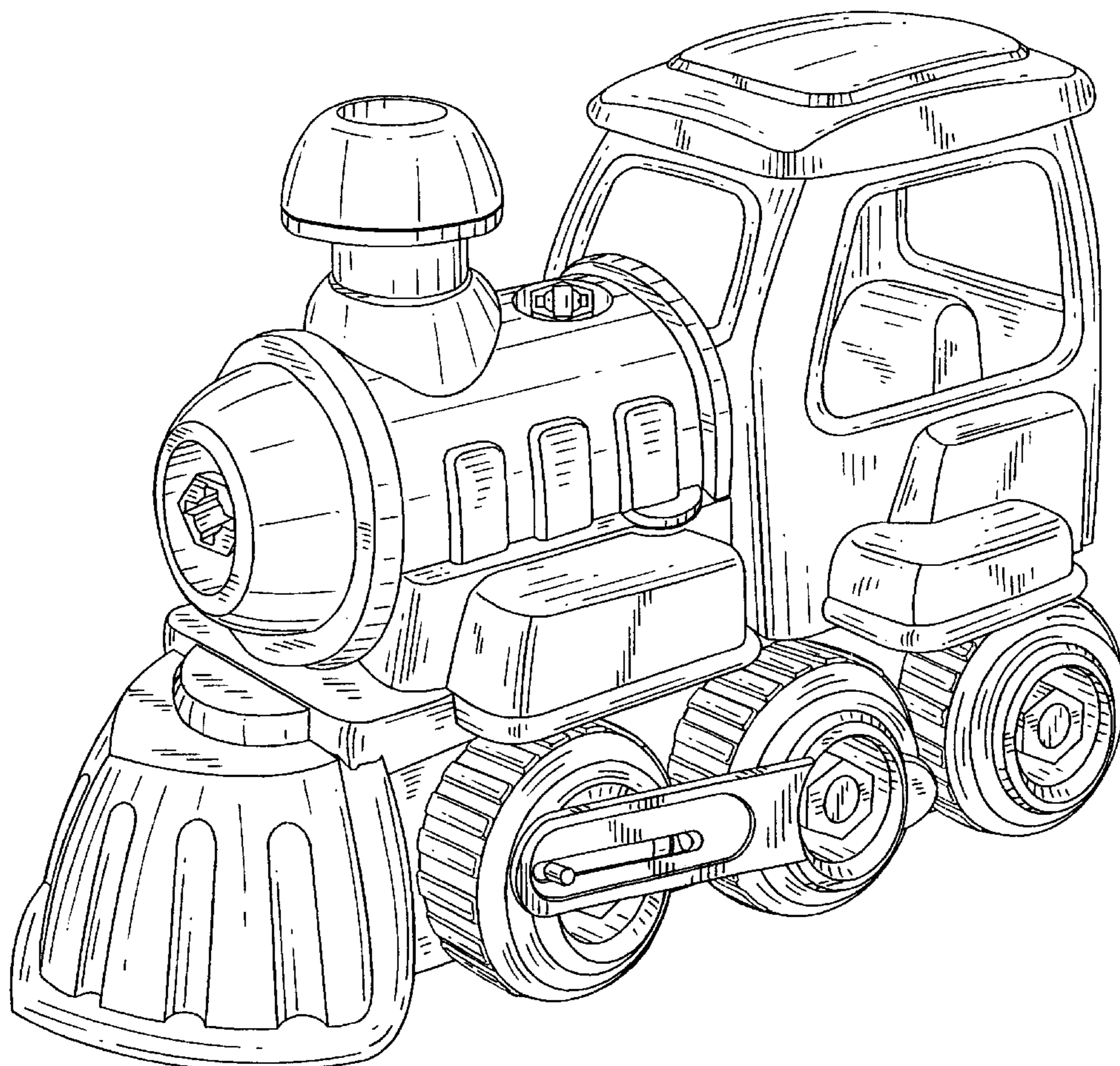
[57] **CLAIM**

The new and ornamental design for a toy train, as shown.

DESCRIPTION

FIG. 1 is a perspective view of the article;
FIG. 2 is a front view of the article;
FIG. 3 is a rear view of the article;
FIG. 4 is a top view of the article;
FIG. 5 is a bottom view of the article;
FIG. 6 is a right side view of the article; and,
FIG. 7 is a left side view of the article.

1 Claim, 7 Drawing Sheets



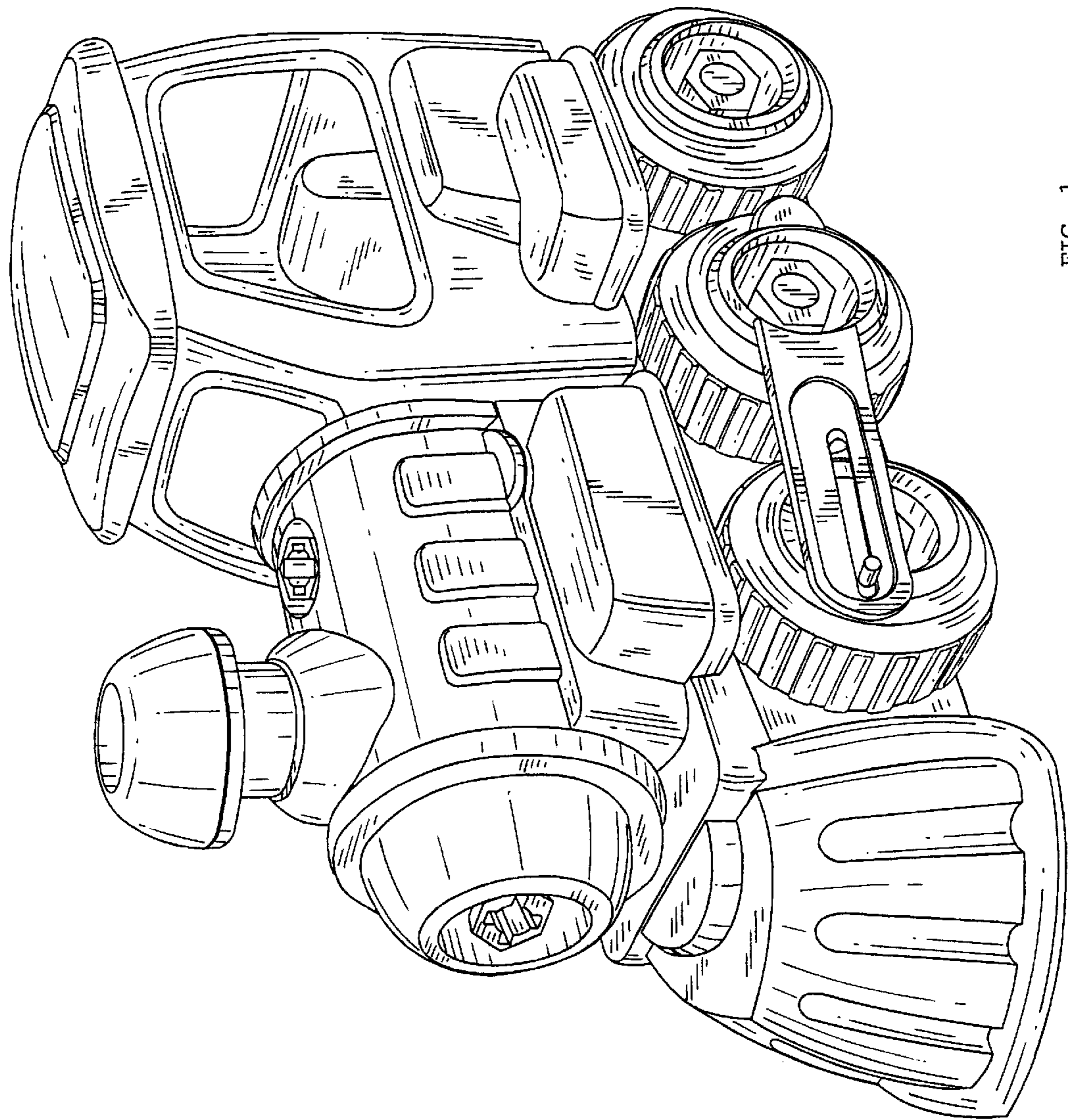


FIG. 1

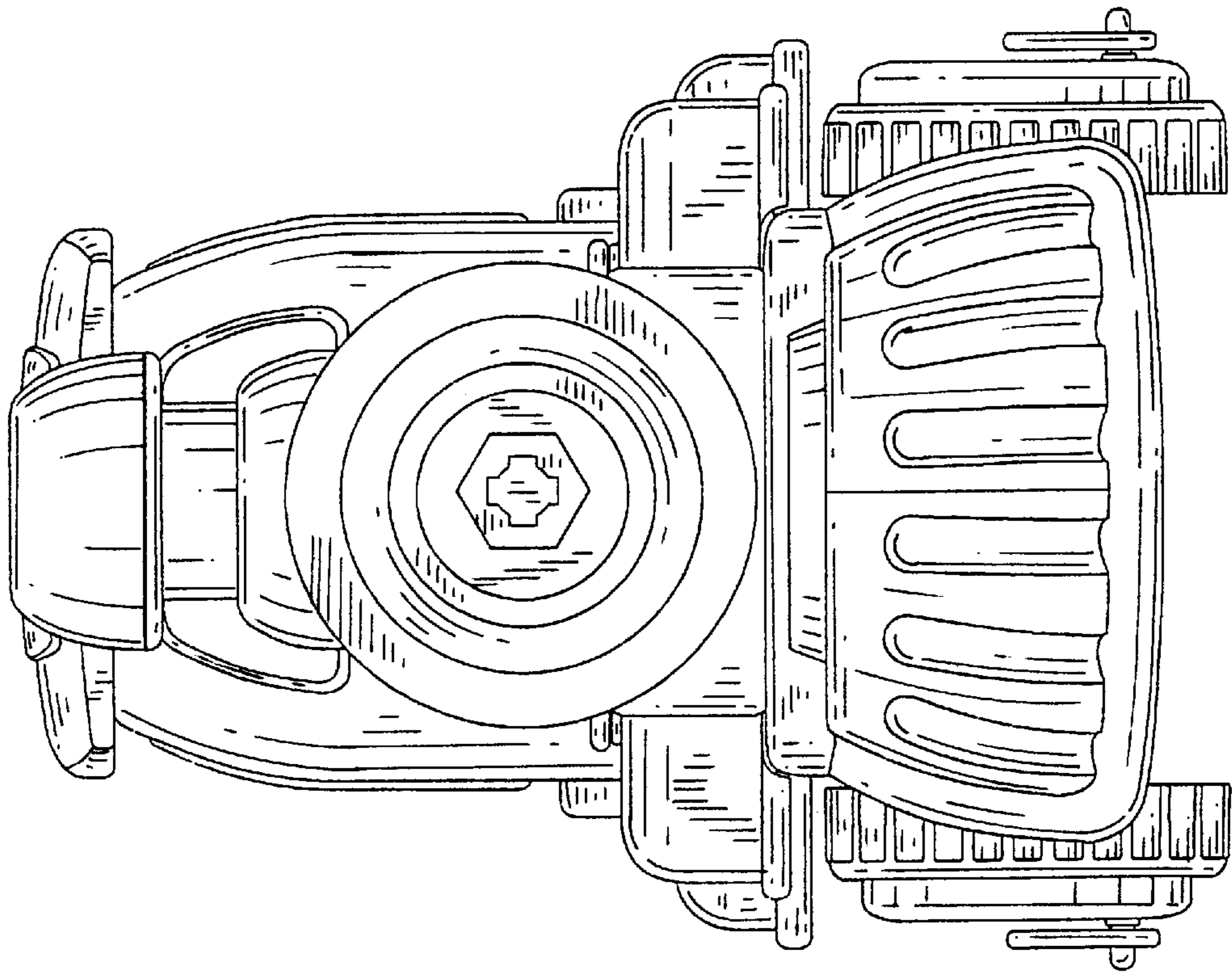


FIG. 2

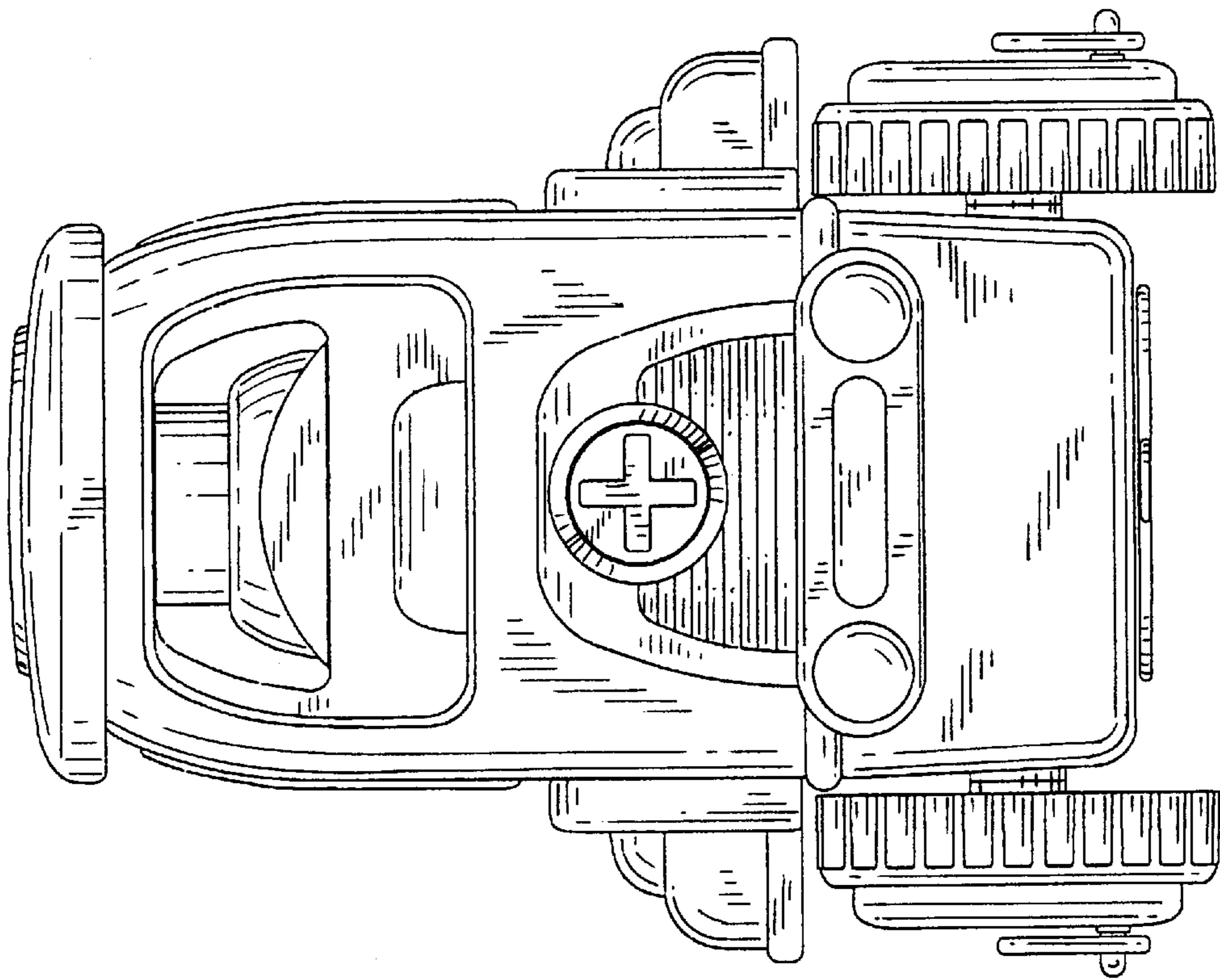


FIG. 3

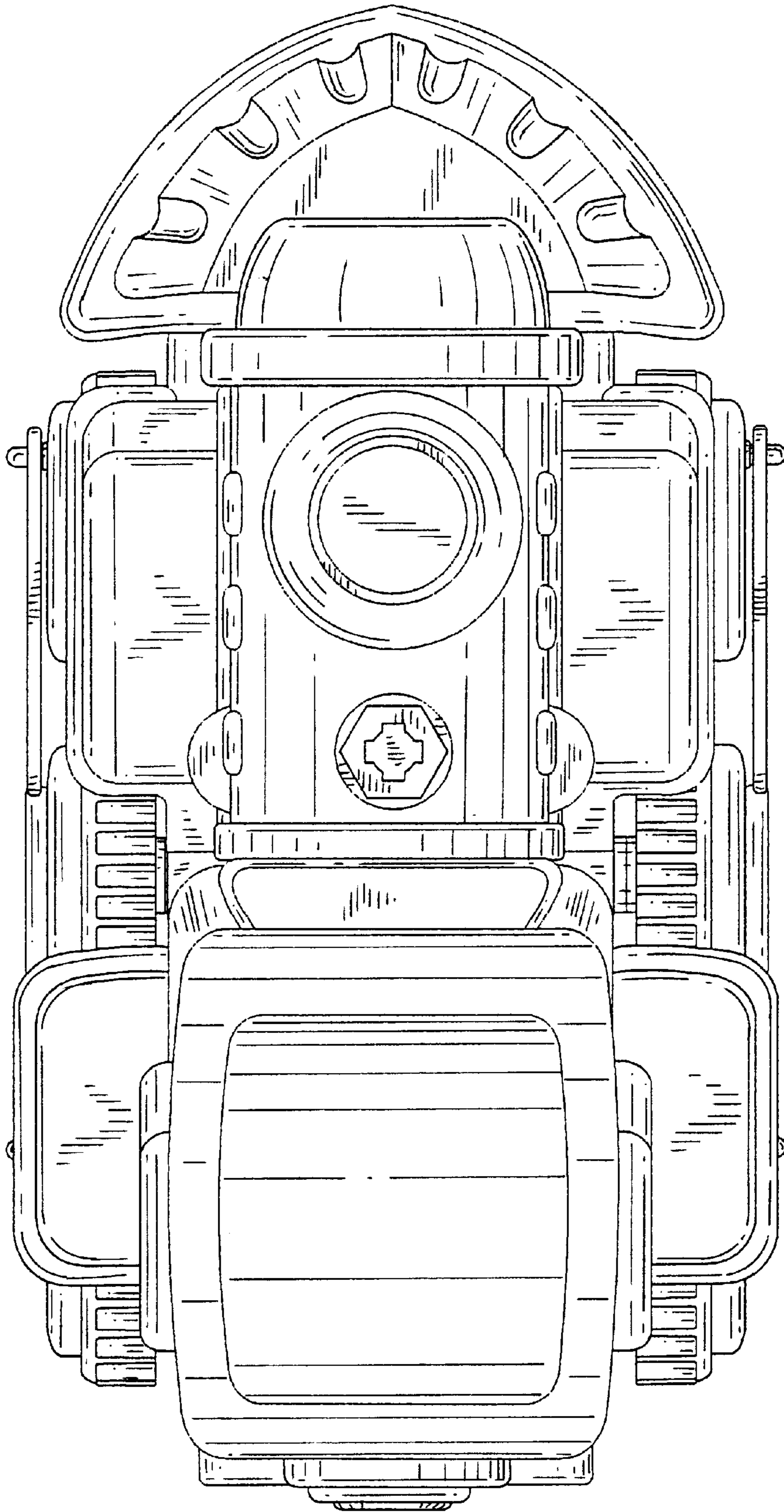


FIG. 4

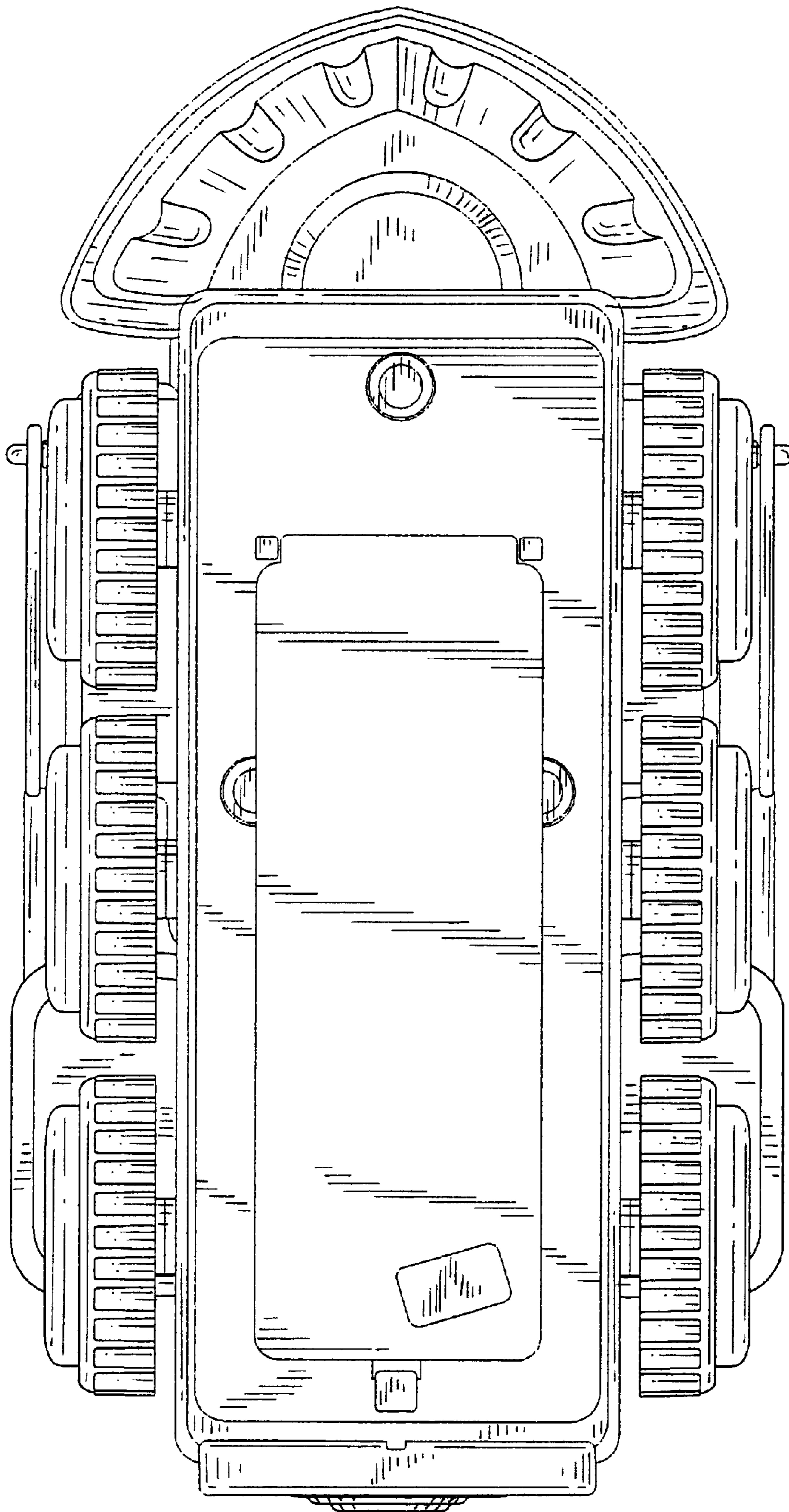


FIG. 5

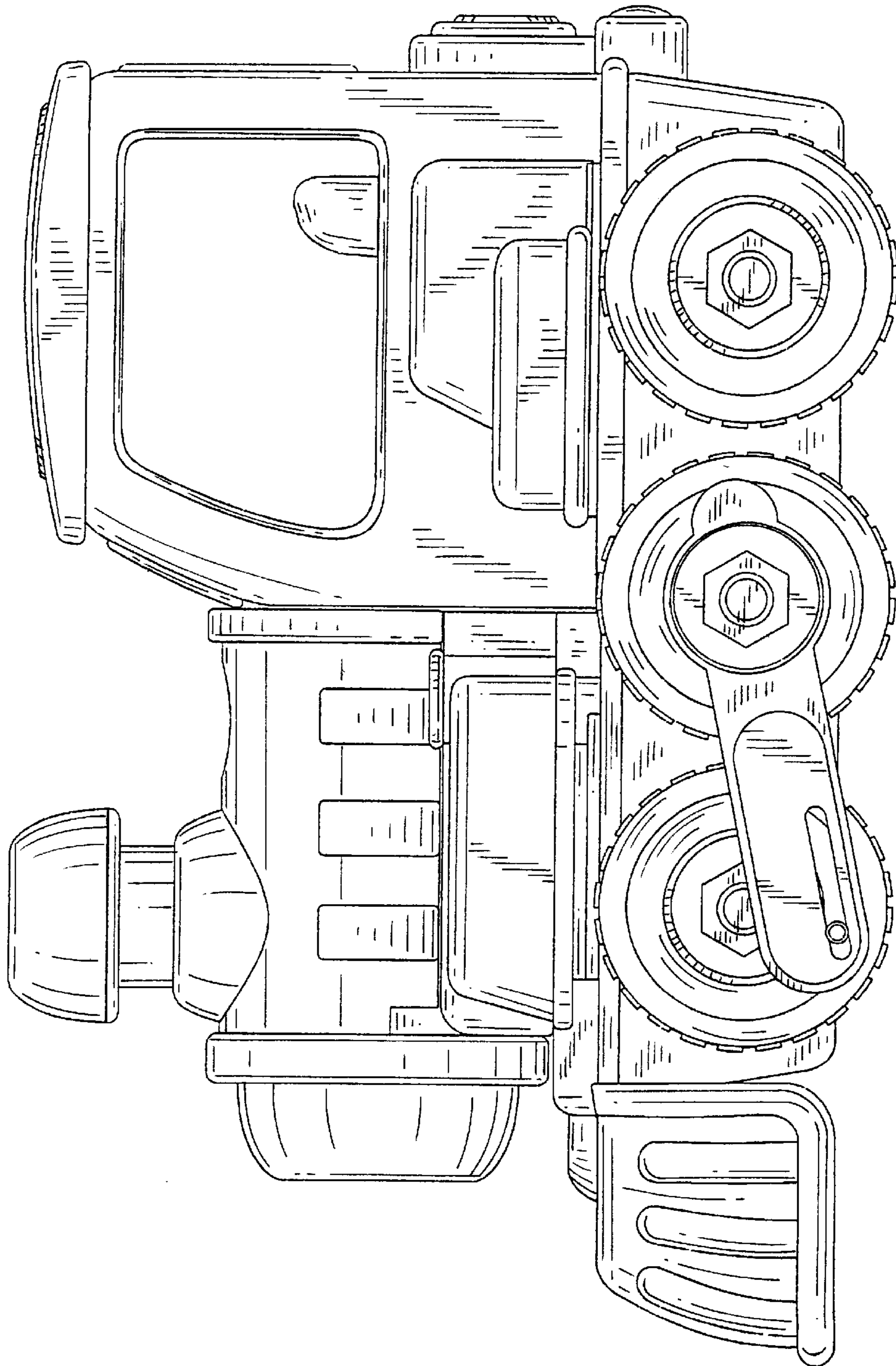


FIG. 6

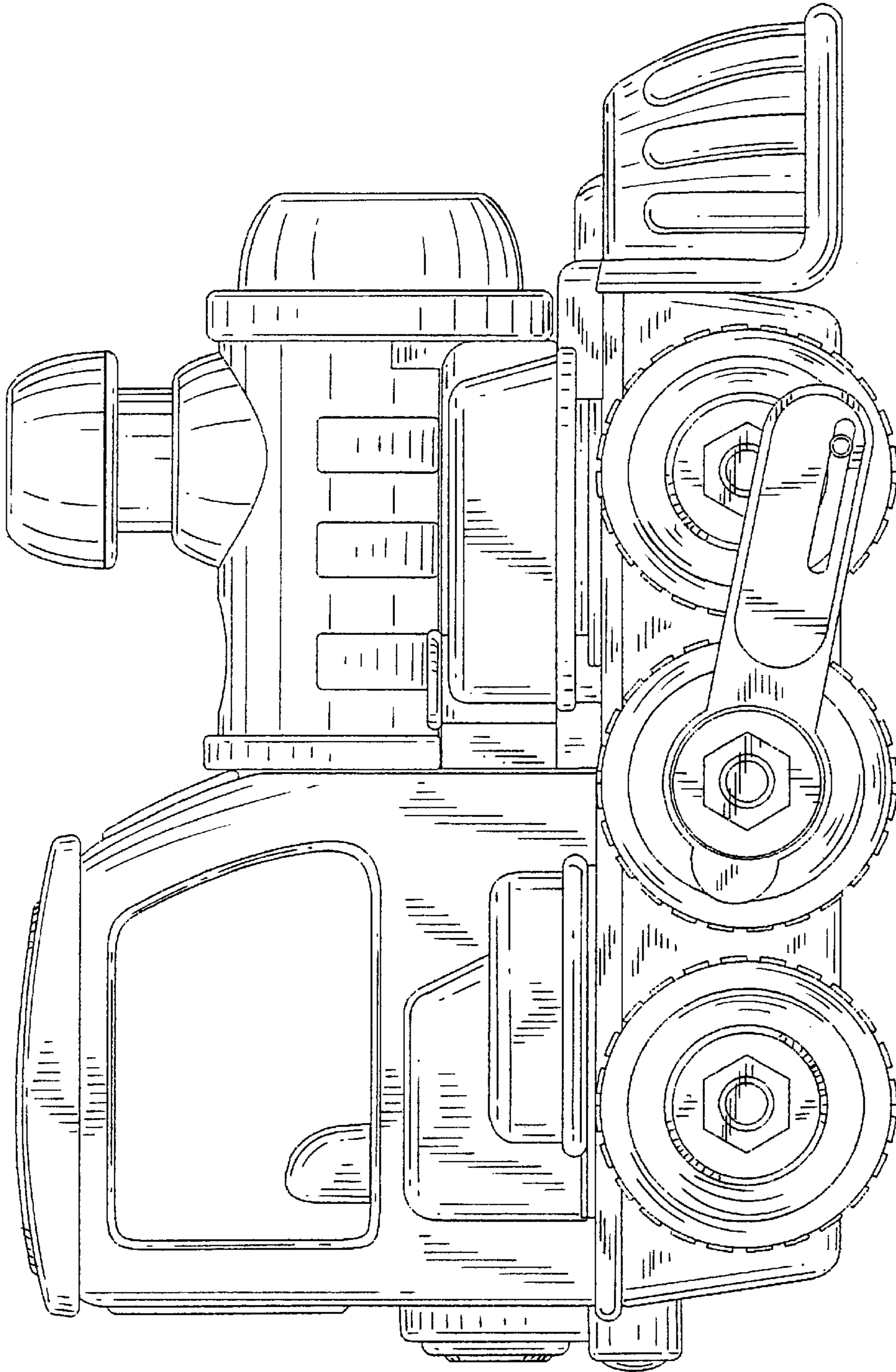


FIG. 7