



US00D425942S

United States Patent [19]
Tomizawa

[11] **Patent Number: Des. 425,942**
[45] **Date of Patent: ** May 30, 2000**

[54] **HAND HELD GAME MACHINE**
[75] Inventor: **Masao Tomizawa**, Toyonaka, Japan
[73] Assignee: **SNK Corporation**, Japan
[**] Term: **14 Years**
[21] Appl. No.: **29/099,841**
[22] Filed: **Jan. 29, 1999**
[30] **Foreign Application Priority Data**
Jul. 30, 1998 [JP] Japan 10-22080
[51] **LOC (7) Cl.** **21-01**
[52] **U.S. Cl.** **D21/329**
[58] **Field of Search** D21/324, 329-331,
D21/333; D14/117.1, 124, 125; 273/148 B;
463/1, 29-30, 46, 47

5,161,803 11/1992 Ohara 273/435

FOREIGN PATENT DOCUMENTS

1990-30330 3/1993 Japan .
1998-1654 4/1998 Japan .

OTHER PUBLICATIONS

HongKong Enterprise, pp. 128 and 133, Oct. 1994.

Primary Examiner—Prabhakar Deshmukh
Attorney, Agent, or Firm—Sheppard, Mullin, Richter & Hampton LLP

[56] **References Cited**
U.S. PATENT DOCUMENTS

D. 336,315 6/1993 Kitaue D21/13
D. 338,045 8/1993 Rosen D21/13
D. 342,289 12/1993 Hara D21/13
D. 349,527 8/1994 Date D21/48
D. 351,430 10/1994 Barr D21/48
D. 370,237 5/1996 Gilliam et al. D21/13
D. 382,916 8/1997 Oikawa D21/48
D. 397,368 8/1998 Rissman D21/13
D. 414,522 9/1999 Kitamori D21/329
5,095,798 3/1992 Okada et al. 84/609

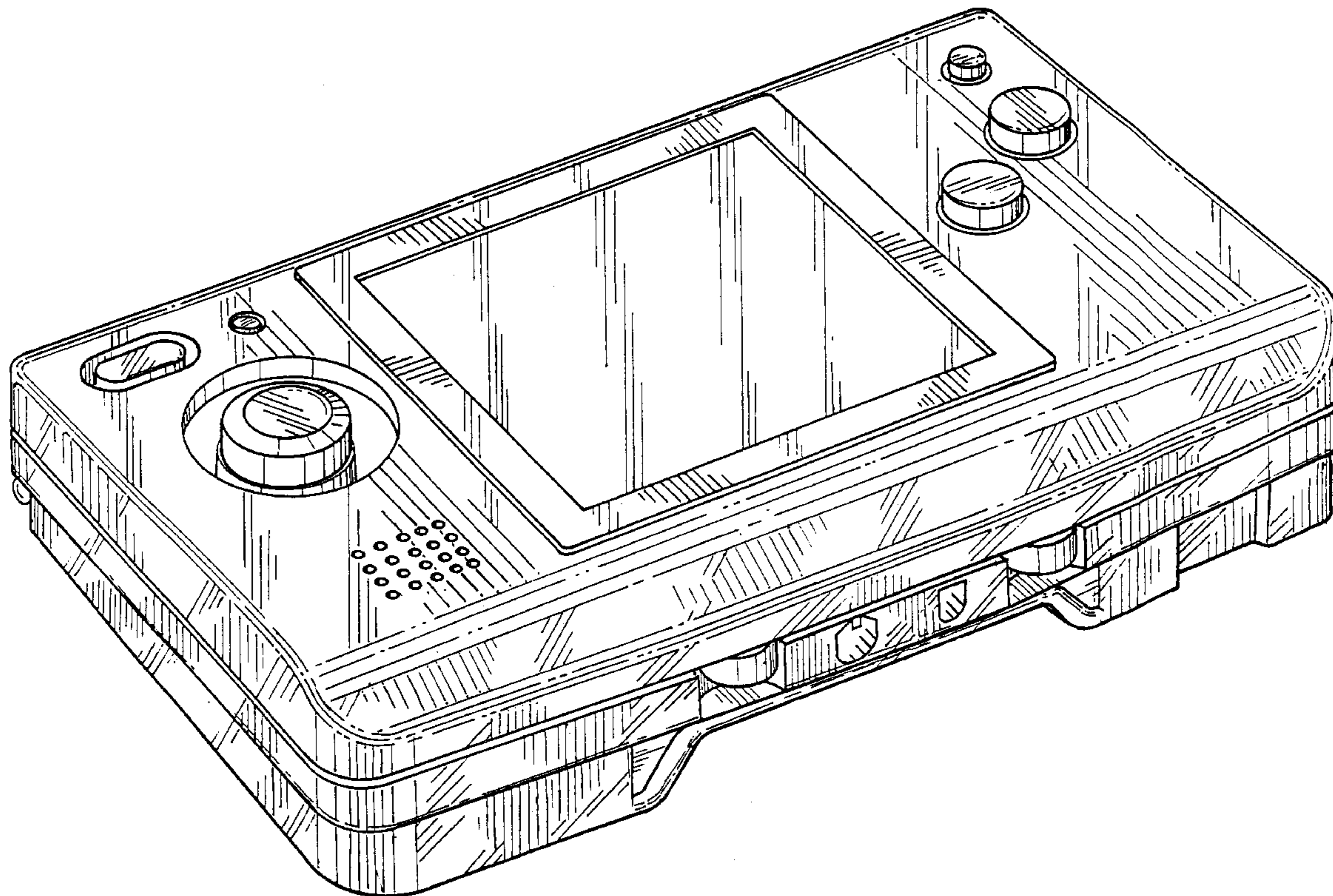
[57] **CLAIM**

I claim the ornamental design for a hand held game machine, as shown and described.

DESCRIPTION

FIG. 1 is a perspective view of a hand held game machine embodying the new design.
FIG. 2 is a top plan view of the embodiment depicted in FIG. 1.
FIG. 3 is a front elevational view of the embodiment depicted in FIG. 1.
FIG. 4 is a rear view of the embodiment depicted in FIG. 1.
FIG. 5 is a right side view of the embodiment depicted in FIG. 1; and,
FIG. 6 is a left side view of the embodiment depicted in FIG. 1.
The bottom is disclaimed.

1 Claim, 4 Drawing Sheets



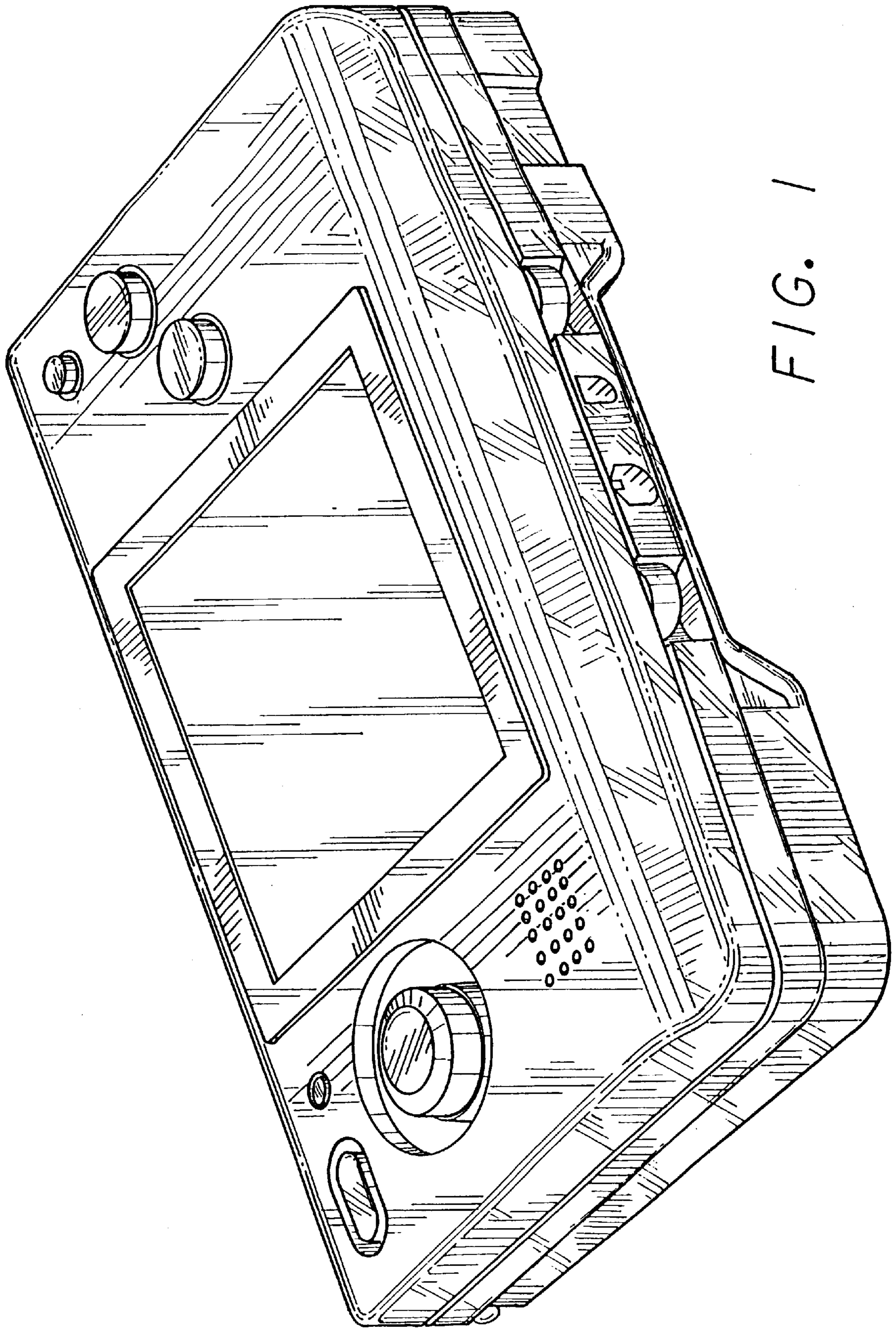


FIG. 1

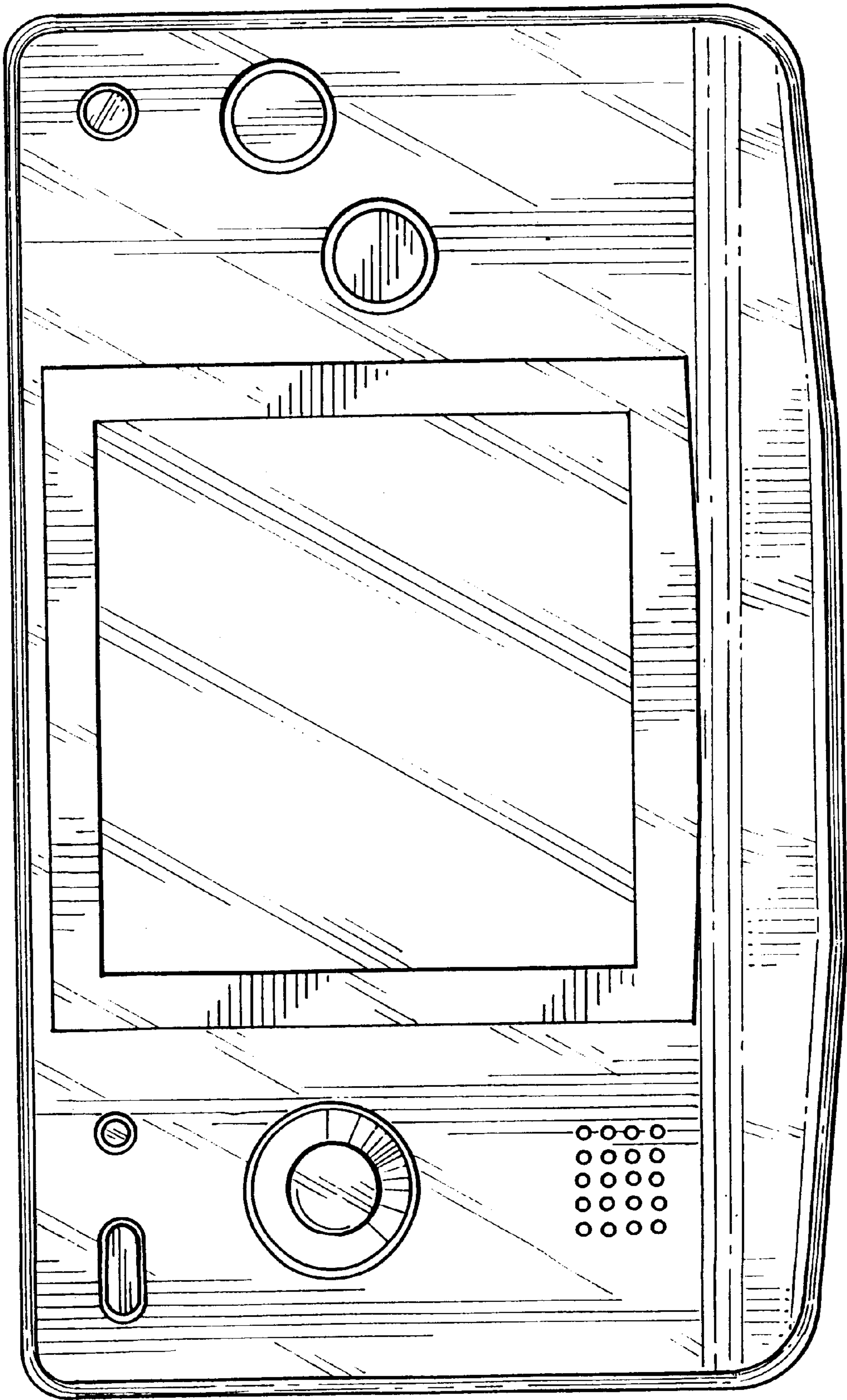


FIG. 2

FIG. 3

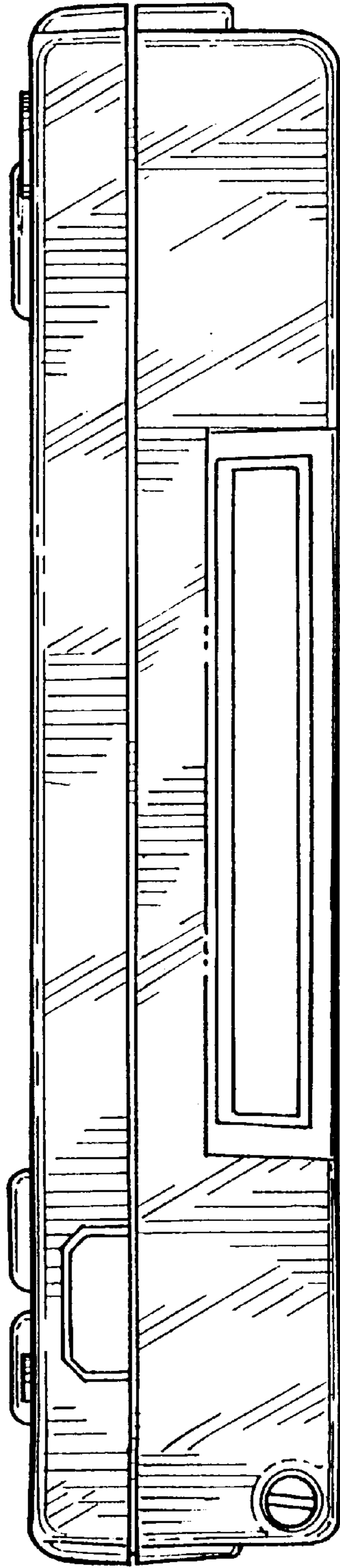
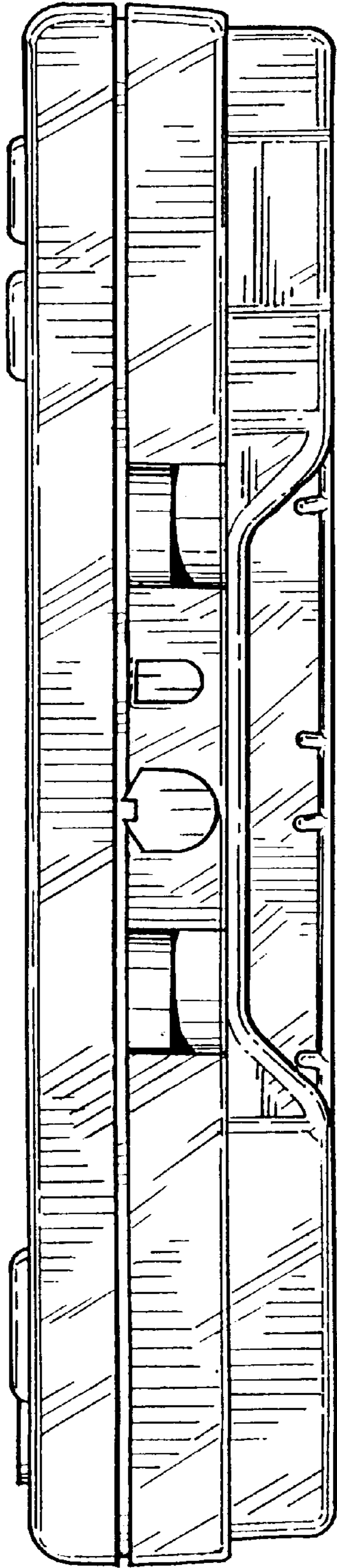


FIG. 4

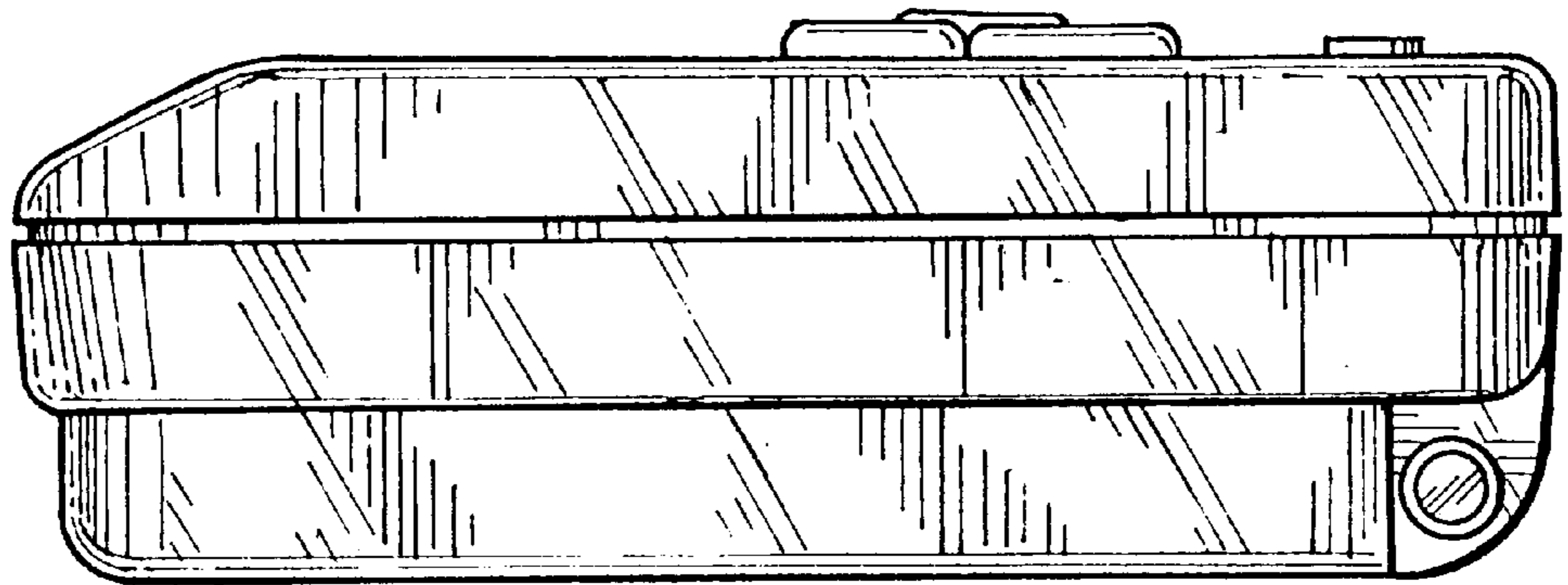


FIG. 5

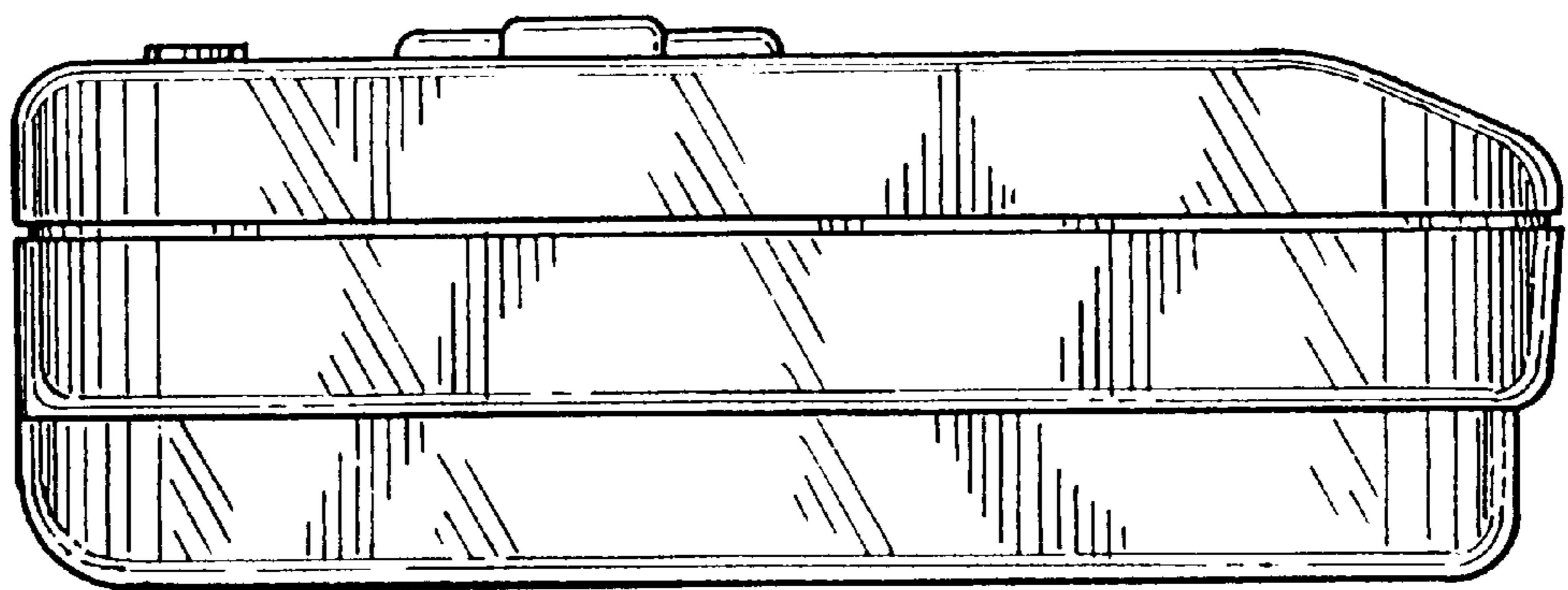


FIG. 6