



US00D425940S

United States Patent [19]

Halfen et al.

[11] Patent Number: **Des. 425,940**

[45] Date of Patent: **** May 30, 2000**

[54] **AEROBIC SKI EXERCISER**

[76] Inventors: **Joseph A. Halfen**, 1724 Brighton Trail, Woodbury, Minn. 55125; **Peter H. Haugen**, 9504 Garrison Way, Eden Prairie, Minn. 55347; **Lyle R. Hilk**, 1998 Scarborough Ct., Chaska, Minn. 55318; **Michael R. Johnston**, 5417 Vernon Ct., Savage, Minn. 55378; **Tianhong Ouyang**, 7957 Victoria Dr., Victoria, Minn. 55386; **Timothy J. Porth**, 13055 Dahlia Cir. #205, Eden Prairie, Minn. 55344; **Alan Wetterlin**, 1131 Ridge Bluff Dr., Chaska, Minn. 55318

[**] Term: **14 Years**

[21] Appl. No.: **29/063,088**

[22] Filed: **Nov. 26, 1996**

[51] **LOC (7) Cl.** **21-02**

[52] **U.S. Cl.** **D21/191**

[58] **Field of Search** D21/191, 192, D21/194, 195; 482/70, 71, 72, 73, 118, 119, 51

[56] **References Cited**

U.S. PATENT DOCUMENTS

D. 343,214 1/1994 Easley et al. D21/191

D. 351,435 10/1994 Peterson et al. D21/191
D. 352,535 11/1994 Miller D21/191
D. 364,662 11/1995 Camfield et al. D21/191
5,246,412 9/1993 Chen 482/70
5,277,678 1/1994 Friedebach et al. 482/70
5,382,209 1/1995 Pasier et al. 482/70

OTHER PUBLICATIONS

Catalog of "NordicTrack", Fall of 1996, pp. 6-10.

Primary Examiner—Philip S. Hyder

[57] **CLAIM**

The ornamental design for an aerobic ski exerciser, as shown and described.

DESCRIPTION

FIG. 1 is a perspective view of an aerobic ski exerciser embodying our new design;
FIG. 2 is a right side elevational view thereof;
FIG. 3 is a left side elevational view thereof;
FIG. 4 is a front elevational view thereof;
FIG. 5 is a rear elevational view thereof;
FIG. 6 is a top plan view thereof; and,
FIG. 7 is a bottom plan view thereof.

1 Claim, 5 Drawing Sheets

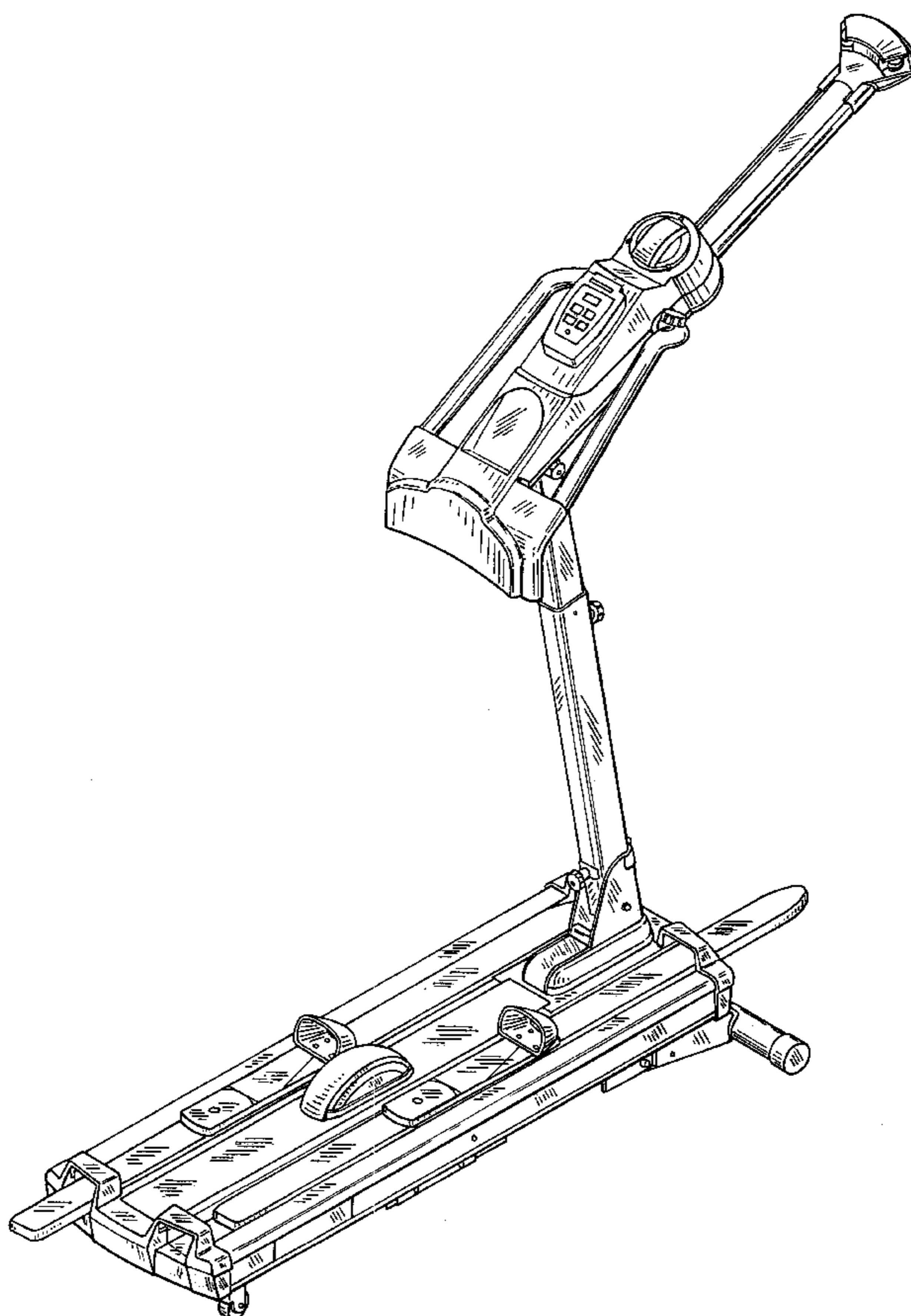
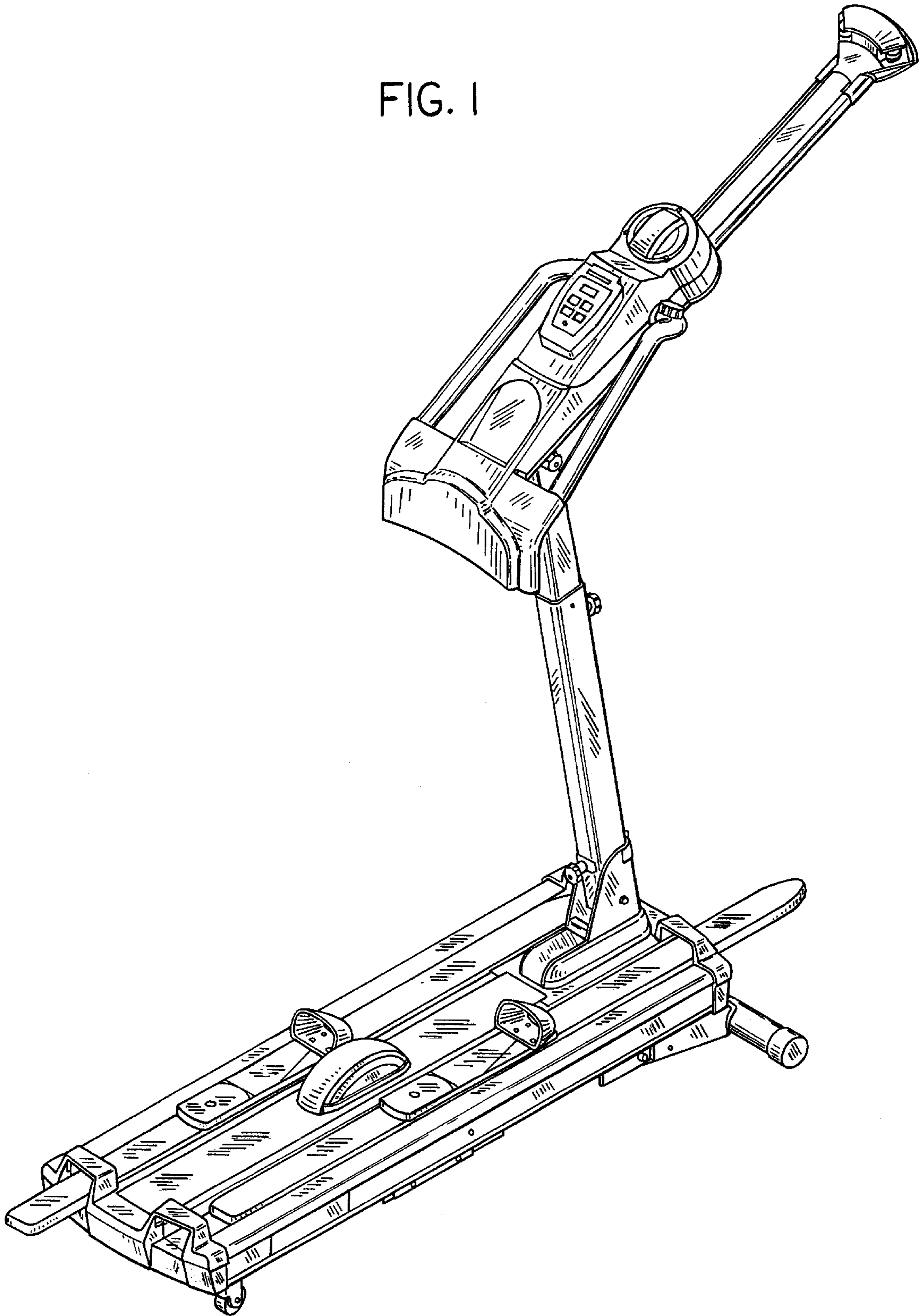


FIG. 1



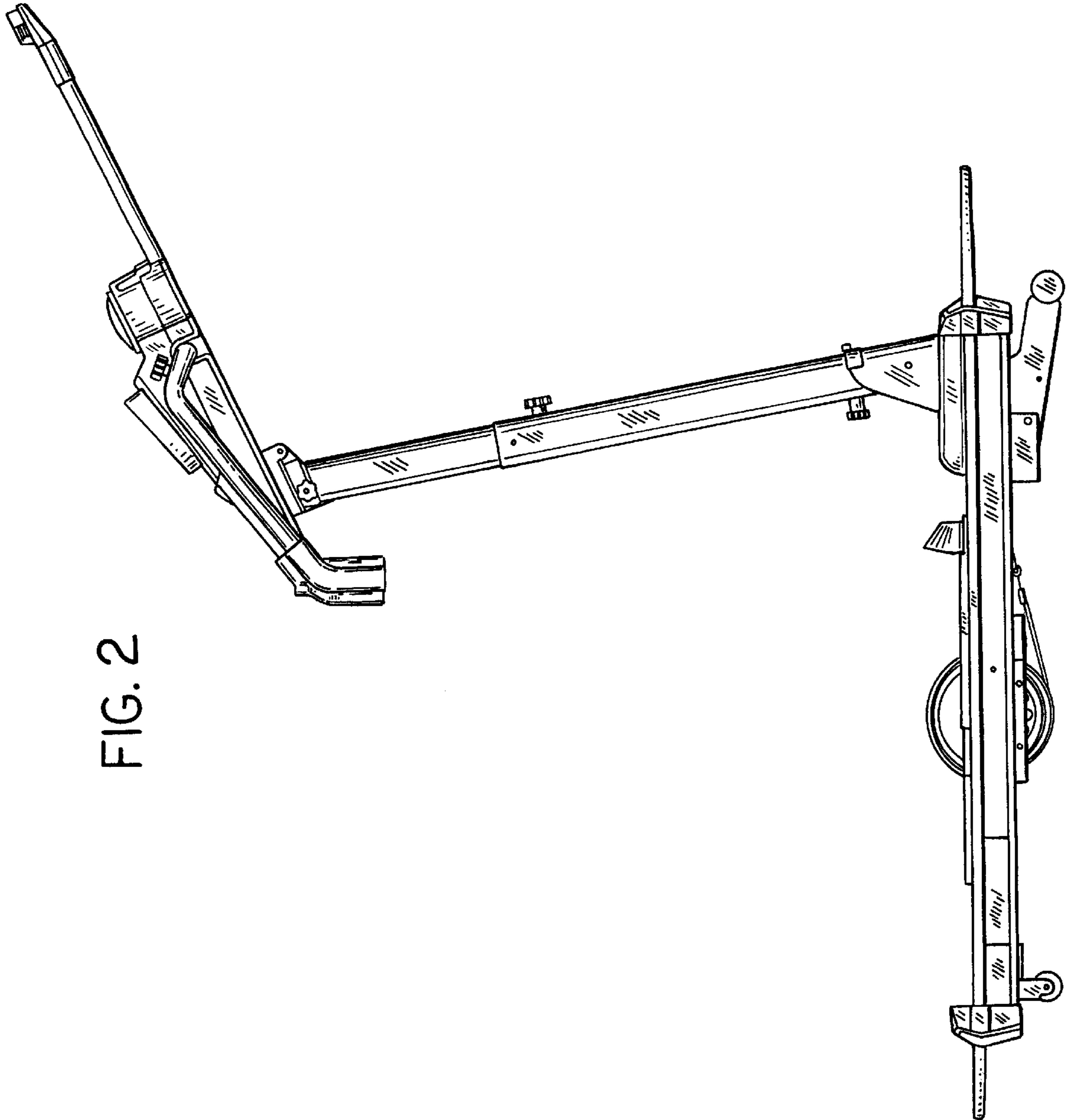


FIG. 2

FIG. 3

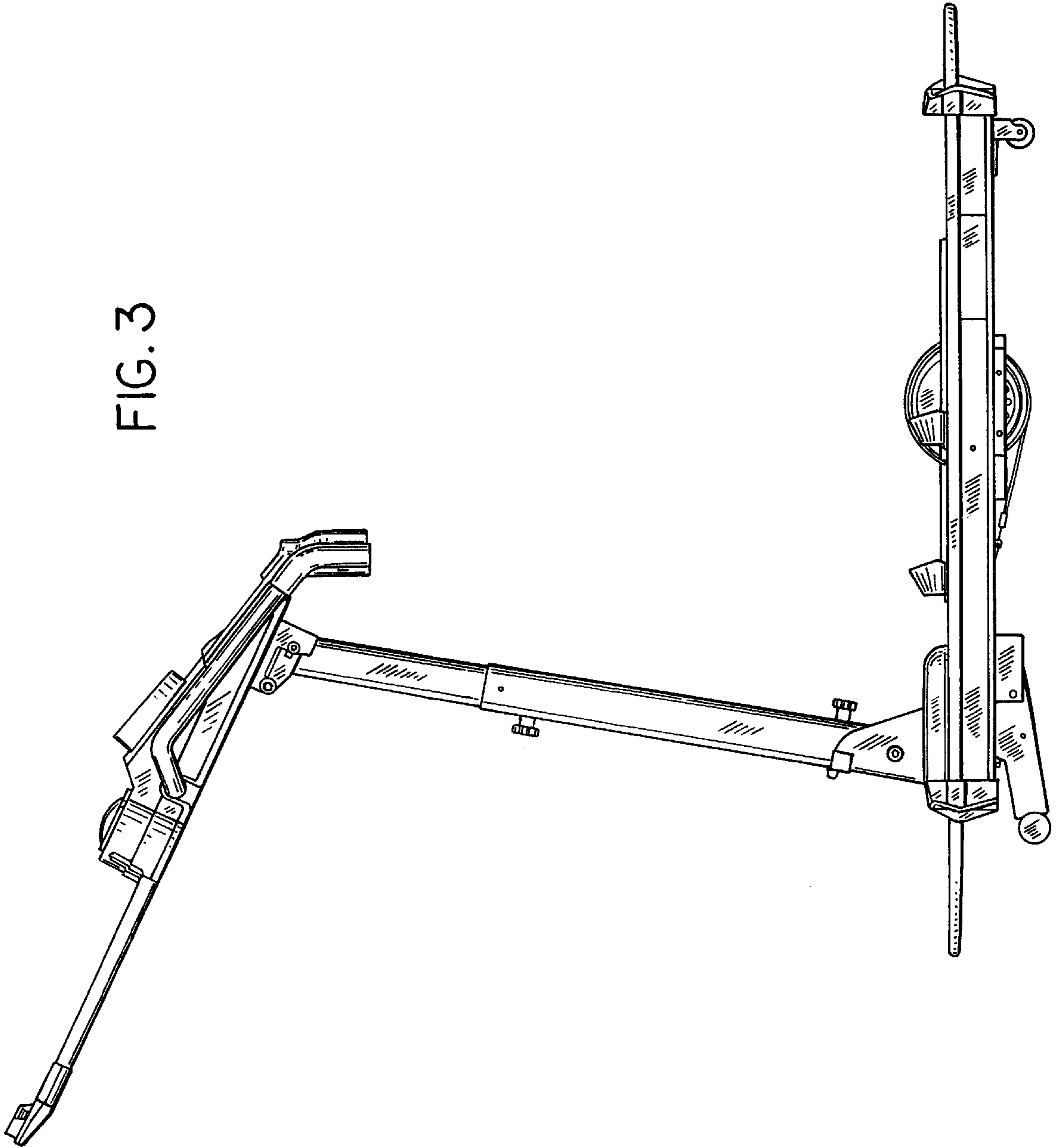


FIG. 4

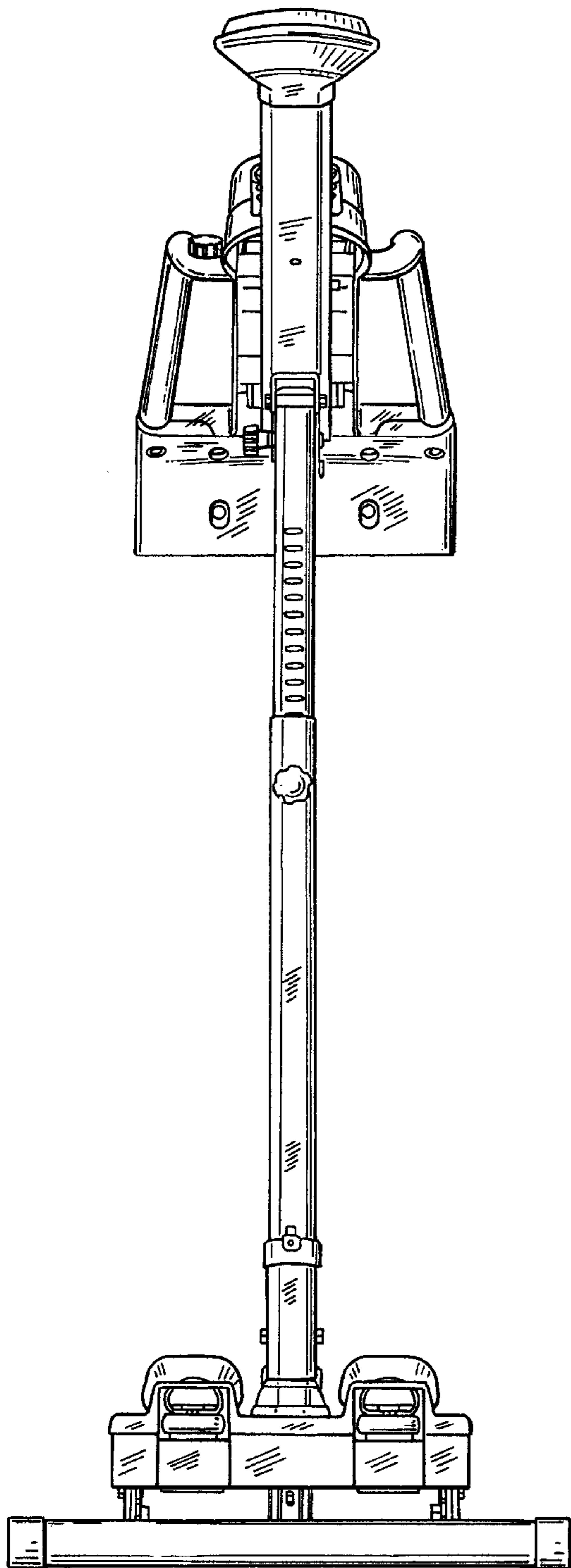


FIG. 5

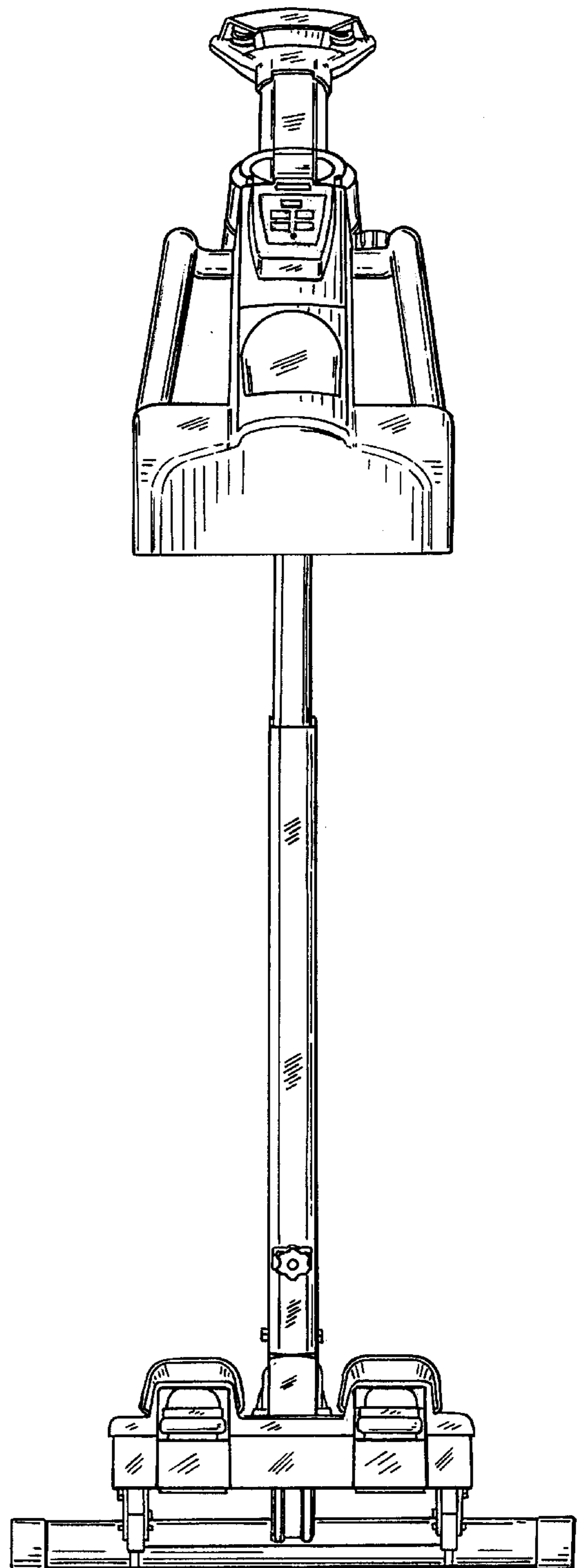


FIG. 6

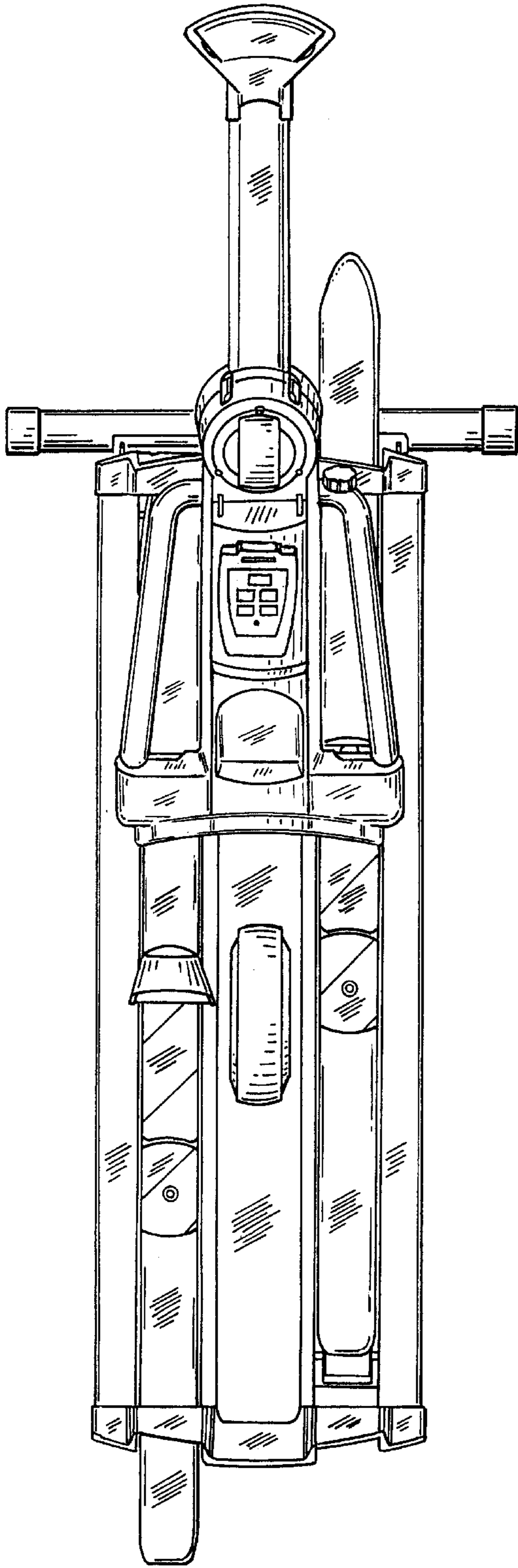


FIG. 7

