



US00D425939S

United States Patent [19]

Kump et al.

[11] Patent Number: **Des. 425,939**

[45] Date of Patent: **** May 30, 2000**

[54] **TWO PART SIGN HOLDER ASSEMBLY**

[75] Inventors: **Daniel J. Kump**, Gates Mills; **Stephen D. Wamsley**, Lakewood, both of Ohio

[73] Assignee: **Fasteners For Retail, Inc.**, Cleveland, Ohio

[**] Term: **14 Years**

[21] Appl. No.: **29/103,113**

[22] Filed: **Apr. 8, 1999**

[51] **LOC (7) Cl.** **20-02**

[52] **U.S. Cl.** **D20/43**

[58] **Field of Search** D20/43, 10, 44;
40/360, 642.02, 646, 649, 651, 652, 653,
654.01, 661, 661.06, 661.07, 661.08, 658,
1.5

[56] **References Cited**

U.S. PATENT DOCUMENTS

D. 273,204	3/1984	Baker	D20/44
D. 306,878	3/1990	Crowley	D20/43
D. 350,568	9/1994	Lucarelli	D20/43
4,281,469	8/1981	Feibelman	40/651
4,557,064	12/1985	Thompson	.	
5,044,104	9/1991	Hopperdietzel	.	
5,899,011	5/1999	Brinkman	40/642.02 X

FOREIGN PATENT DOCUMENTS

91/05324 4/1991 WIPO .

OTHER PUBLICATIONS

Fasteners for Retail Brochure of Apr. 1998, entitled "Fasteners For Retail Yellow Pages", Cover, pp. 26, 41, 42, 65, 68 and last page.

Bentler GmbH Flyer, Circa 1993.

Fit-All Pricing Corporation Brochure, p. 11, Pre-1993.

August Fischer GmbH Flyer, Circa Apr. 1991.

Primary Examiner—Susan J. Lucas

Assistant Examiner—Jennifer Rivard

Attorney, Agent, or Firm—Fay, Sharpe, Fagan, Minnich & McKee, LLP

[57] **CLAIM**

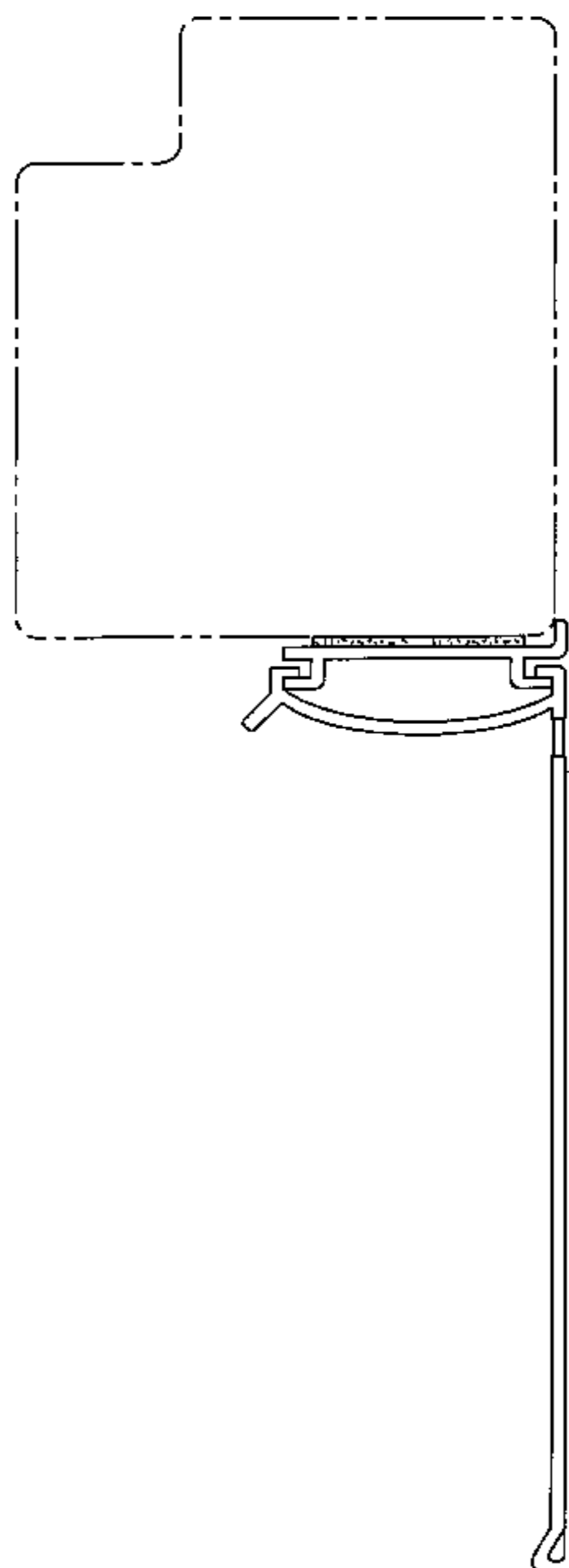
The ornamental design for a two part sign holder assembly, as shown and described.

DESCRIPTION

FIG. 1 is a perspective view of the sign holder section of the two part sign holder assembly showing our new design; the track section has been omitted for purpose of disclosure; FIG. 2 is a left side elevational view thereof, with the right side elevational view being a mirror image thereof; FIG. 3 is a front elevational view thereof; FIG. 4 is a top plan view thereof; FIG. 5 is a rear elevational view thereof; FIG. 6 is a bottom plan view thereof; FIG. 7 is a perspective view of the track section, cooperating with the sign holder of FIG. 1, according to our new design; the sign holder section has been omitted for purpose of disclosure; FIG. 8 is a left side elevational view thereof, with the right side elevational view being a mirror image thereof; FIG. 9 is a top plan view thereof; FIG. 10 is a rear elevational view thereof; FIG. 11 is a front elevational view thereof; FIG. 12 is a bottom plan view thereof; and, FIG. 13 is a left side elevational view showing the sign holder of FIG. 1 assembled on the track of FIG. 7 and the assembly attached to a support surface.

The support surface illustrated in dotted lines in FIG. 13 shows the environment of the two-part sign holder assembly according to the present invention and forms no part of the claimed design.

1 Claim, 6 Drawing Sheets



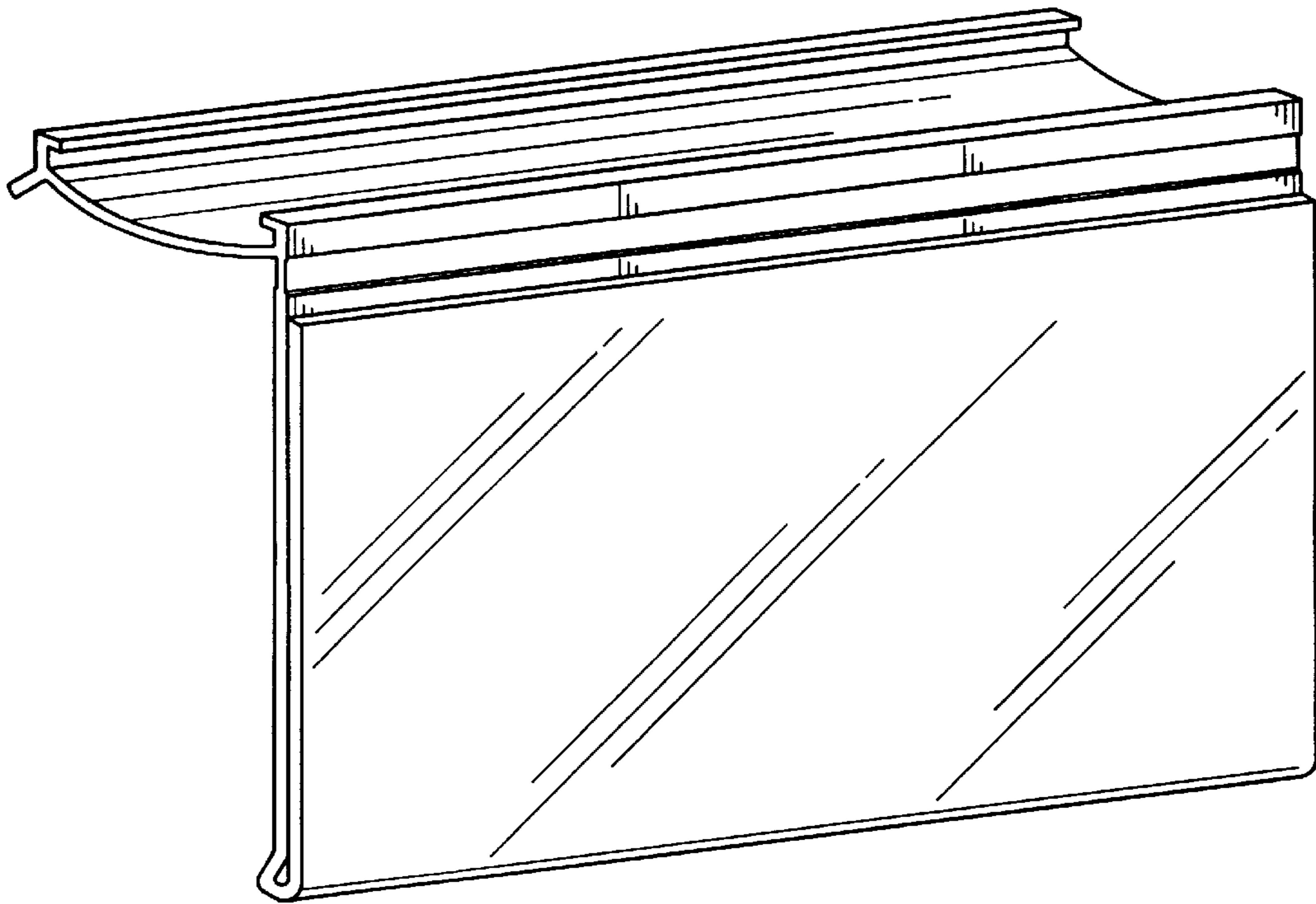


FIG. 1

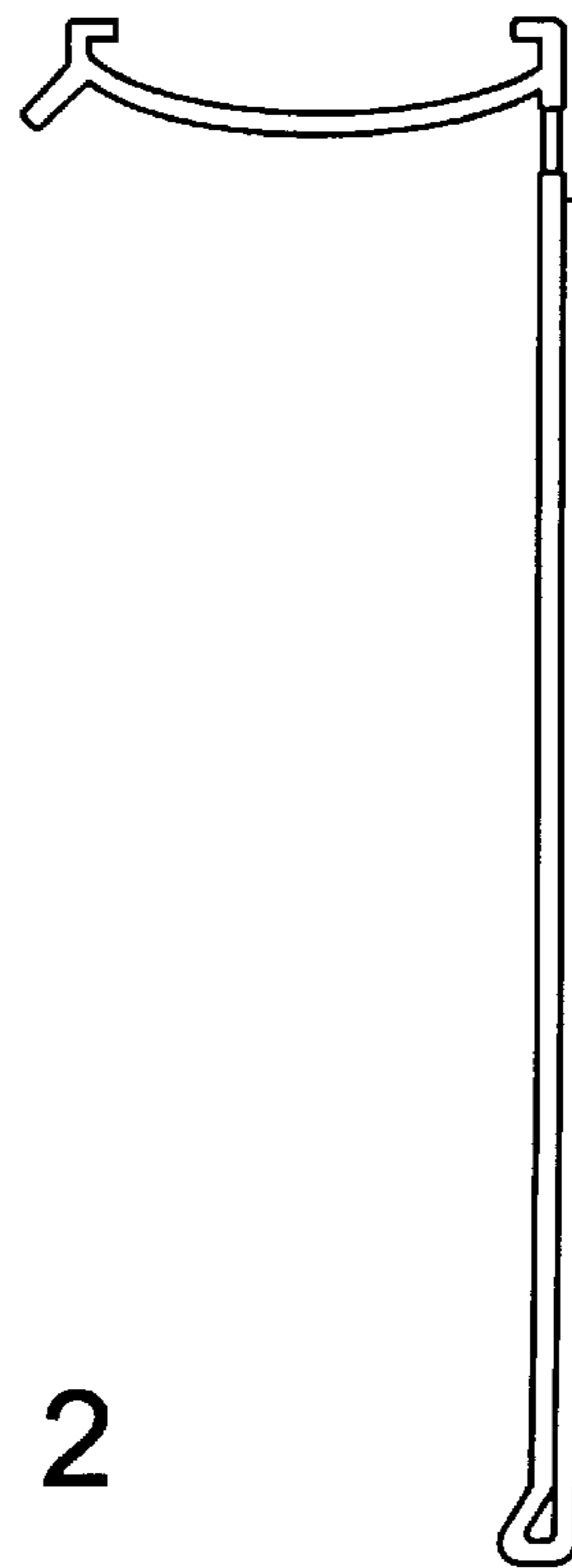


FIG. 2

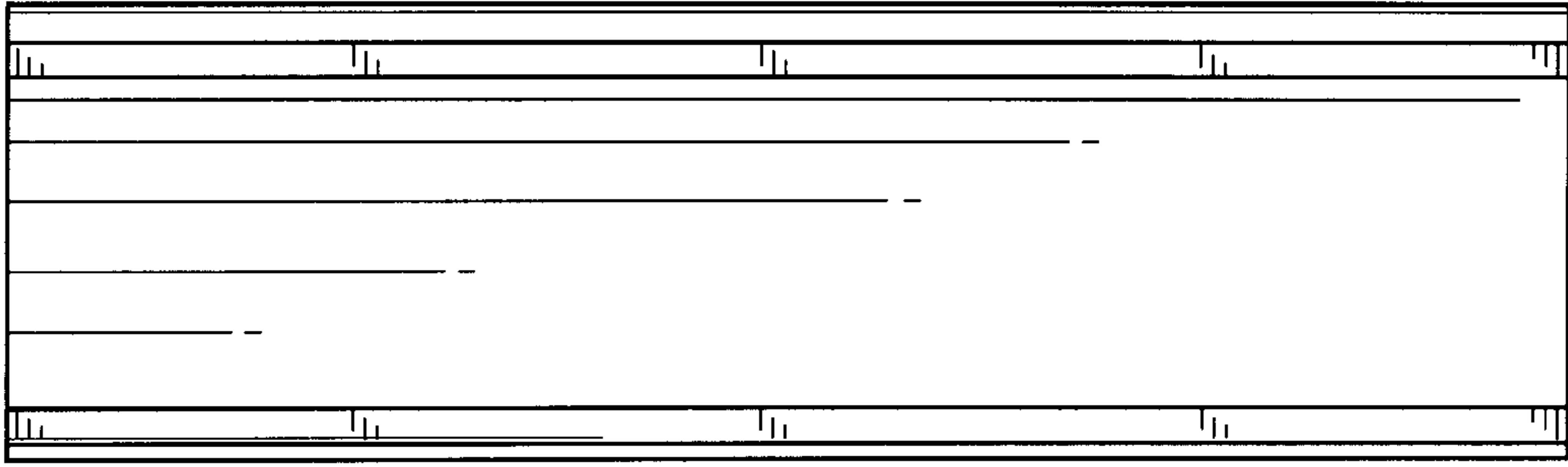


FIG. 4

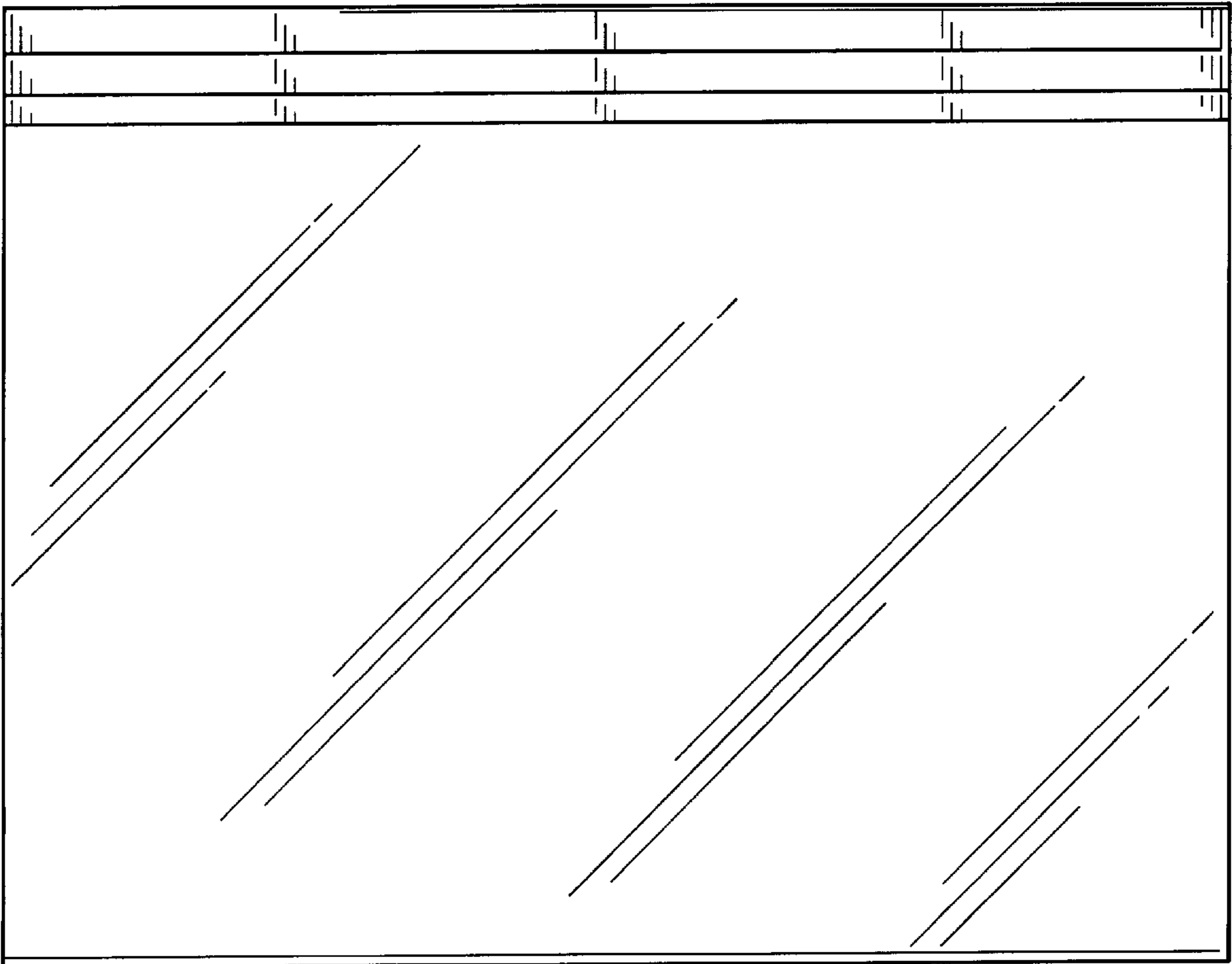


FIG. 3

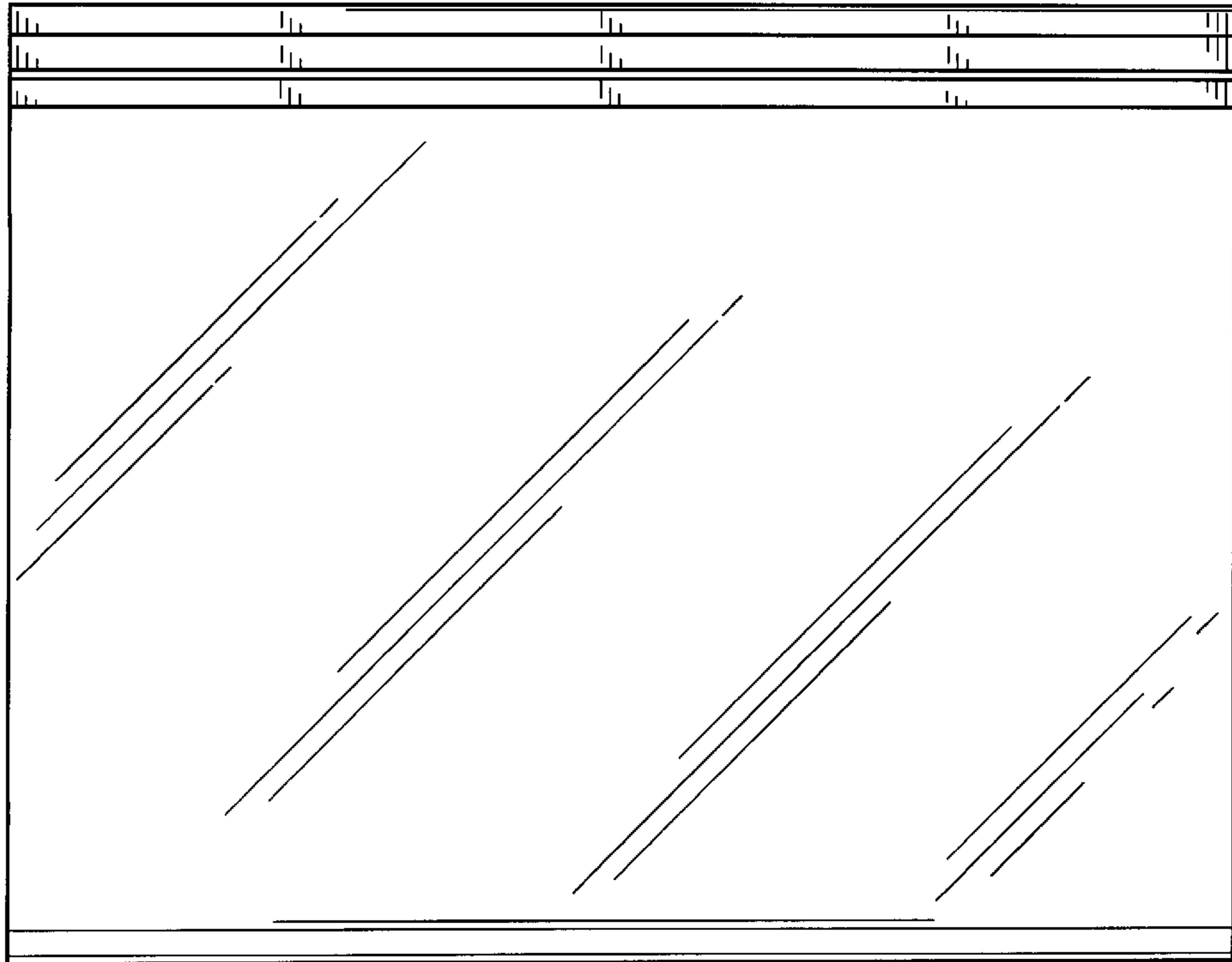


FIG. 5

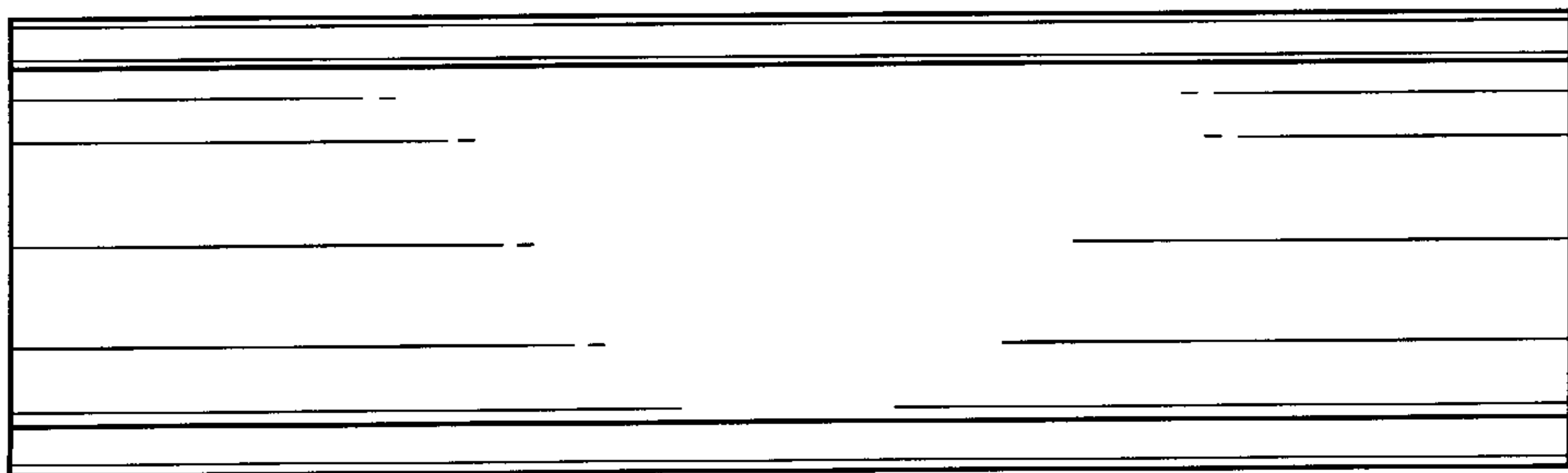


FIG. 6

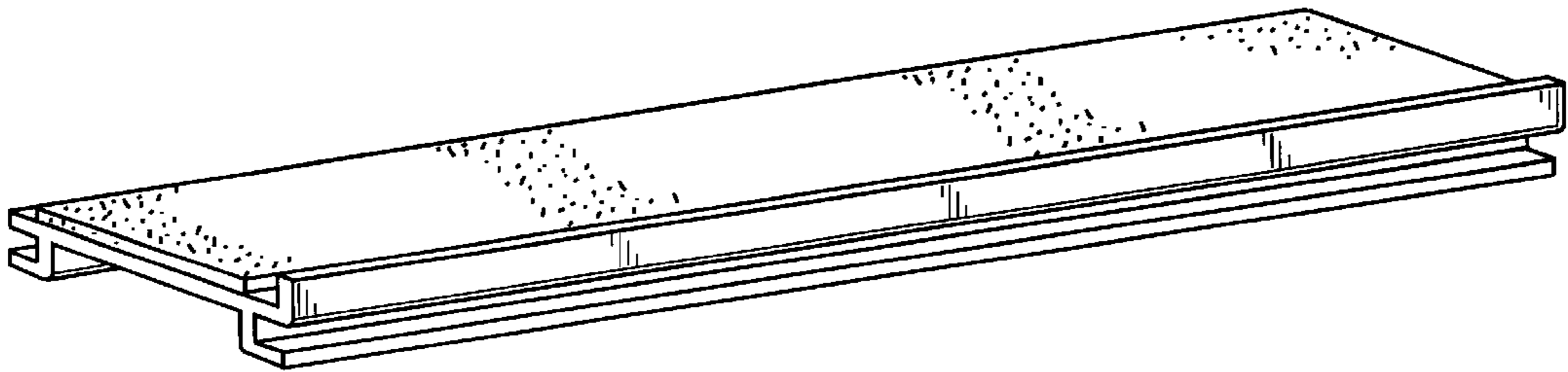


FIG. 7

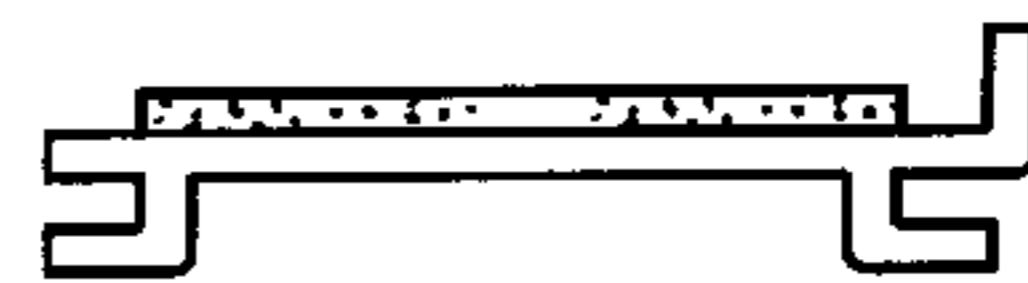


FIG. 8

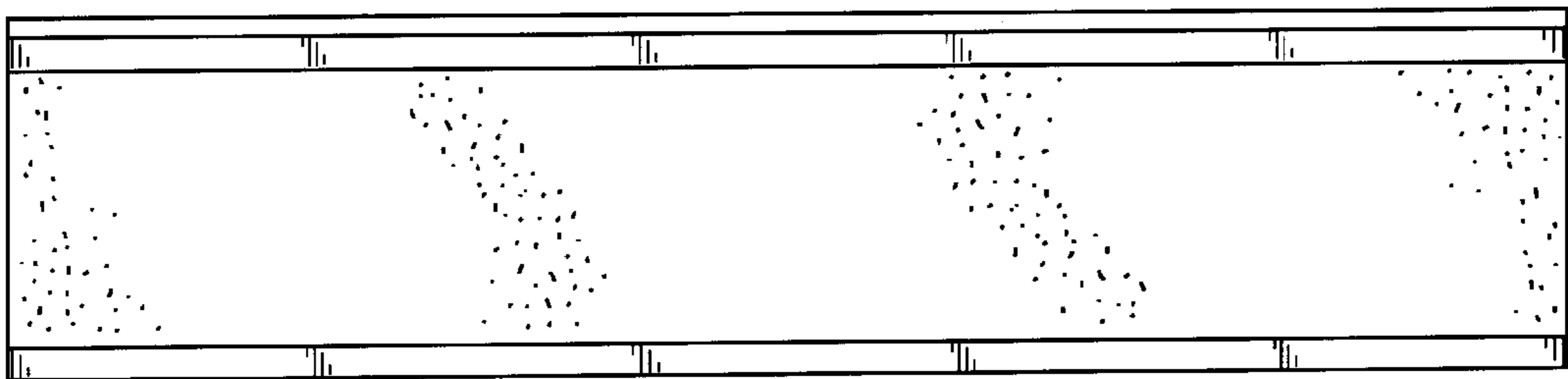


FIG. 9

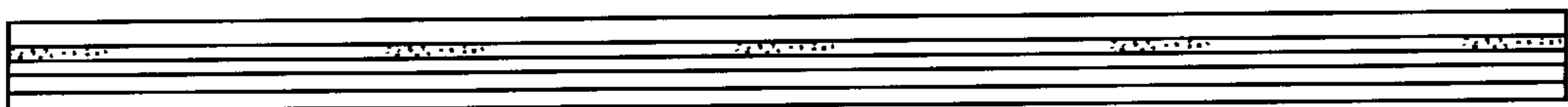


FIG. 10



FIG. 11

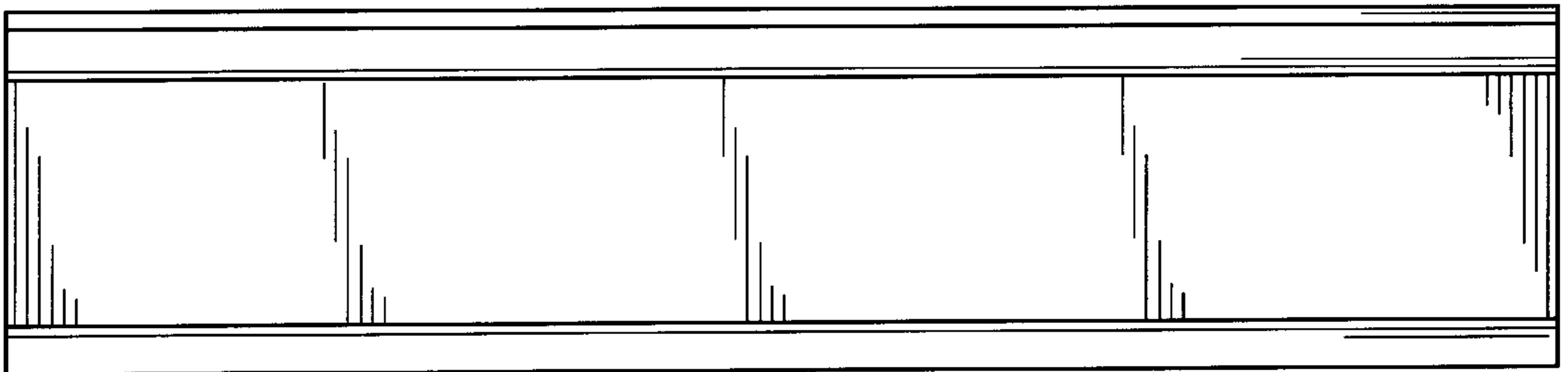


FIG. 12

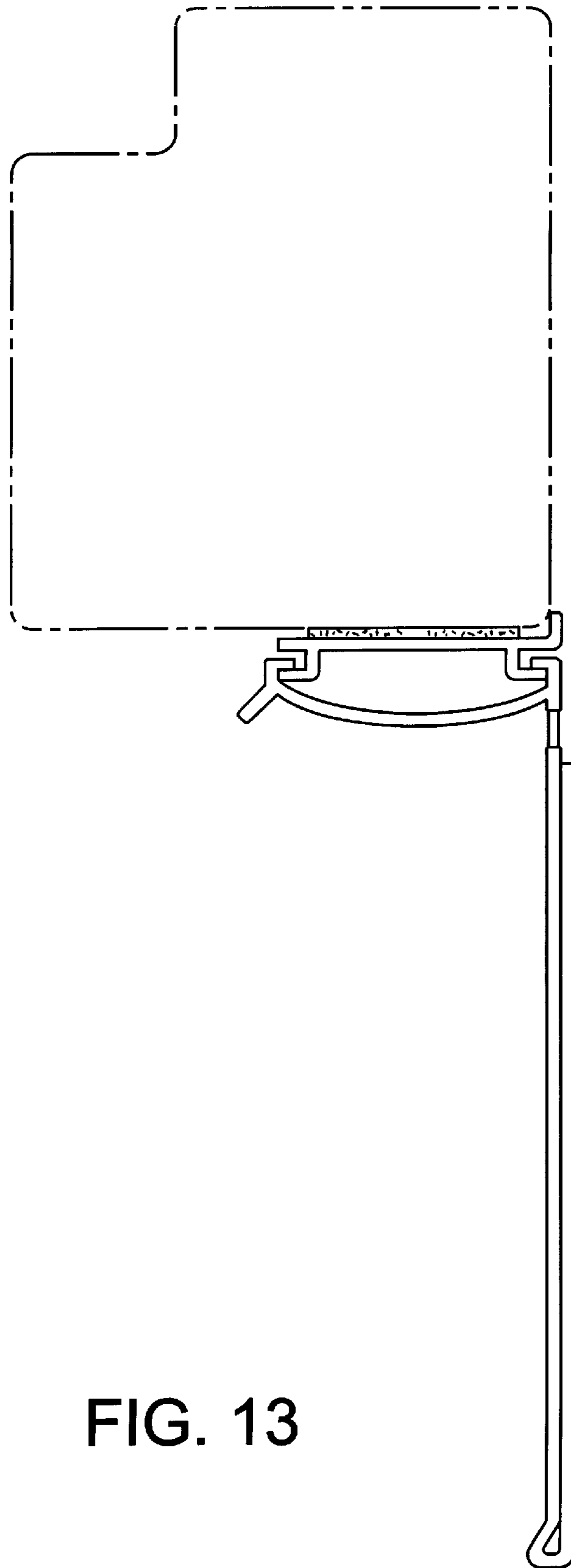


FIG. 13