



US00D425936S

United States Patent [19]
Canale

[11] **Patent Number: Des. 425,936**

[45] **Date of Patent: ** May 30, 2000**

[54] **COMPUTER COPY HOLDER WITH A BASKETBALL MOTIF**

[76] Inventor: **Beth A. Canale**, 1399 County Route 1, Oswego, N.Y. 13126

[**] Term: **14 Years**

[21] Appl. No.: **29/106,810**

[22] Filed: **Jun. 21, 1999**

[51] **LOC (7) Cl.** **19-02**

[52] **U.S. Cl.** **D19/88; D14/114**

[58] **Field of Search** D14/114; D19/52, D19/65, 86, 88, 90, 91, 99, 100; 248/441.1, 442.2, 444, 447, 447.2, 459, 451, 452

[56] **References Cited**

U.S. PATENT DOCUMENTS

D. 396,248 7/1998 Nemeth D19/88

D. 403,357 12/1998 Canale D19/88
D. 415,202 10/1999 Sherman D19/88
4,902,078 2/1990 Judd 248/442.2 X
5,078,358 1/1992 Egly et al. 248/447.1

Primary Examiner—Kay H. Chin
Attorney, Agent, or Firm—Howard J. Greenwald

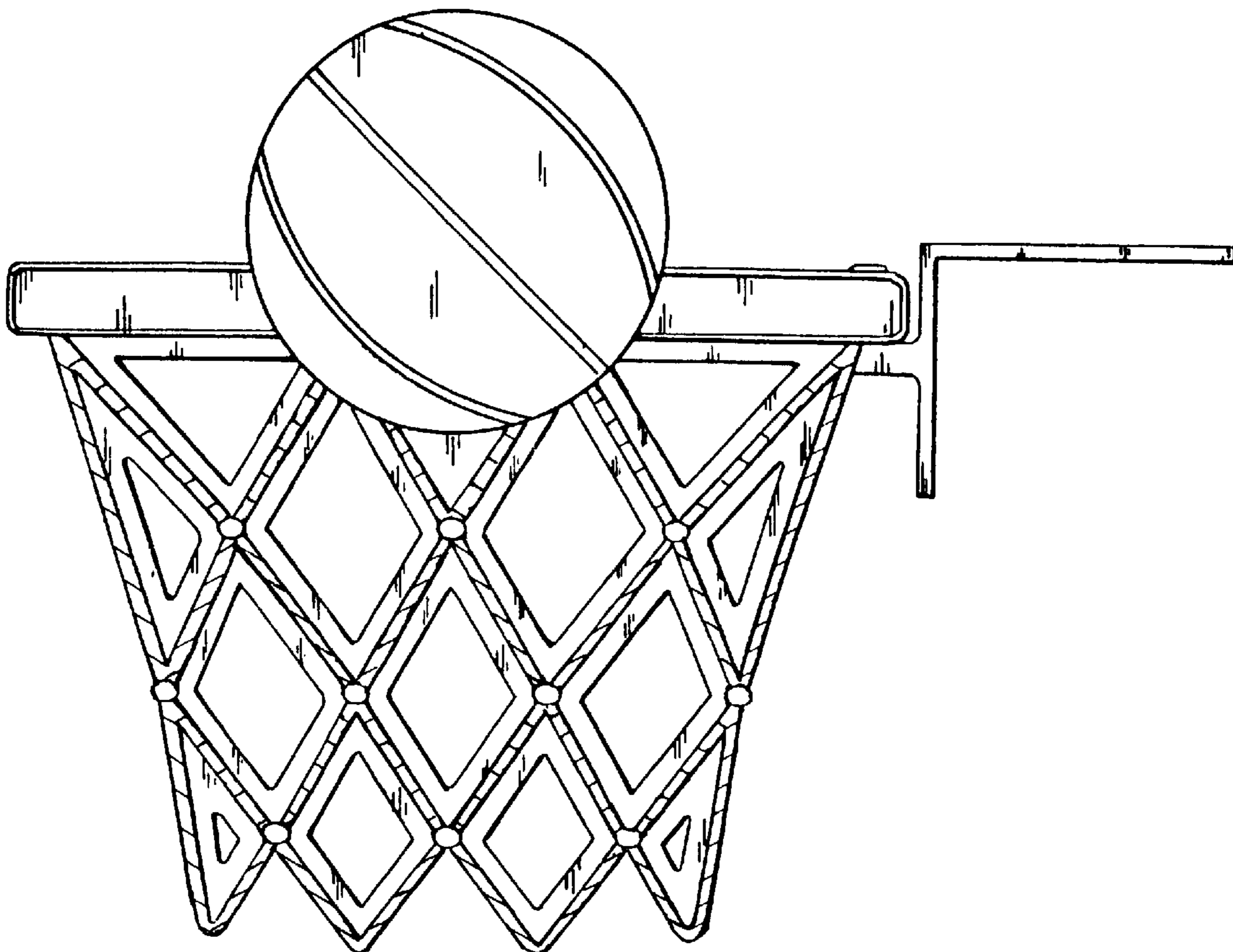
[57] **CLAIM**

The ornamental design for a computer copy holder with a basketball motif, as shown and described.

DESCRIPTION

FIG. 1 is a front elevational view of a “computer copy holder with a basketball motif,” showing my new design; FIG. 2 is a left side elevational view thereof; FIG. 3 is a plan view thereof; and, FIG. 4 is a rear elevational view thereof.

1 Claim, 2 Drawing Sheets



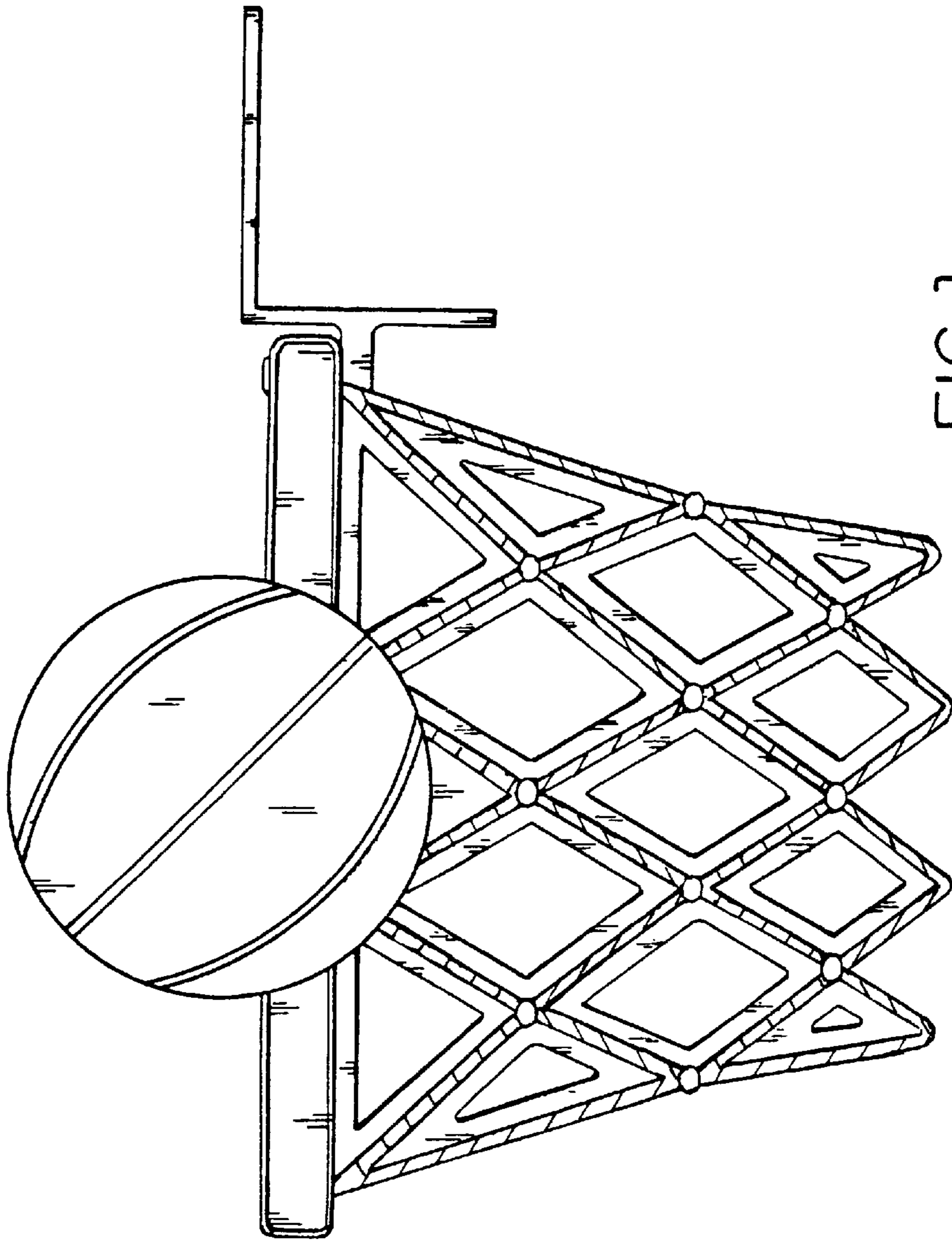


FIG. 1

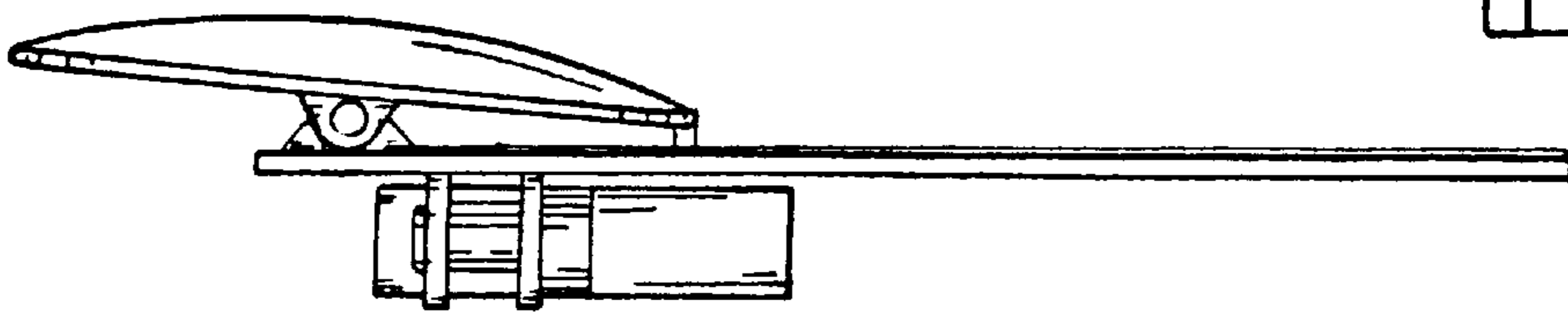


FIG. 2

FIG. 3

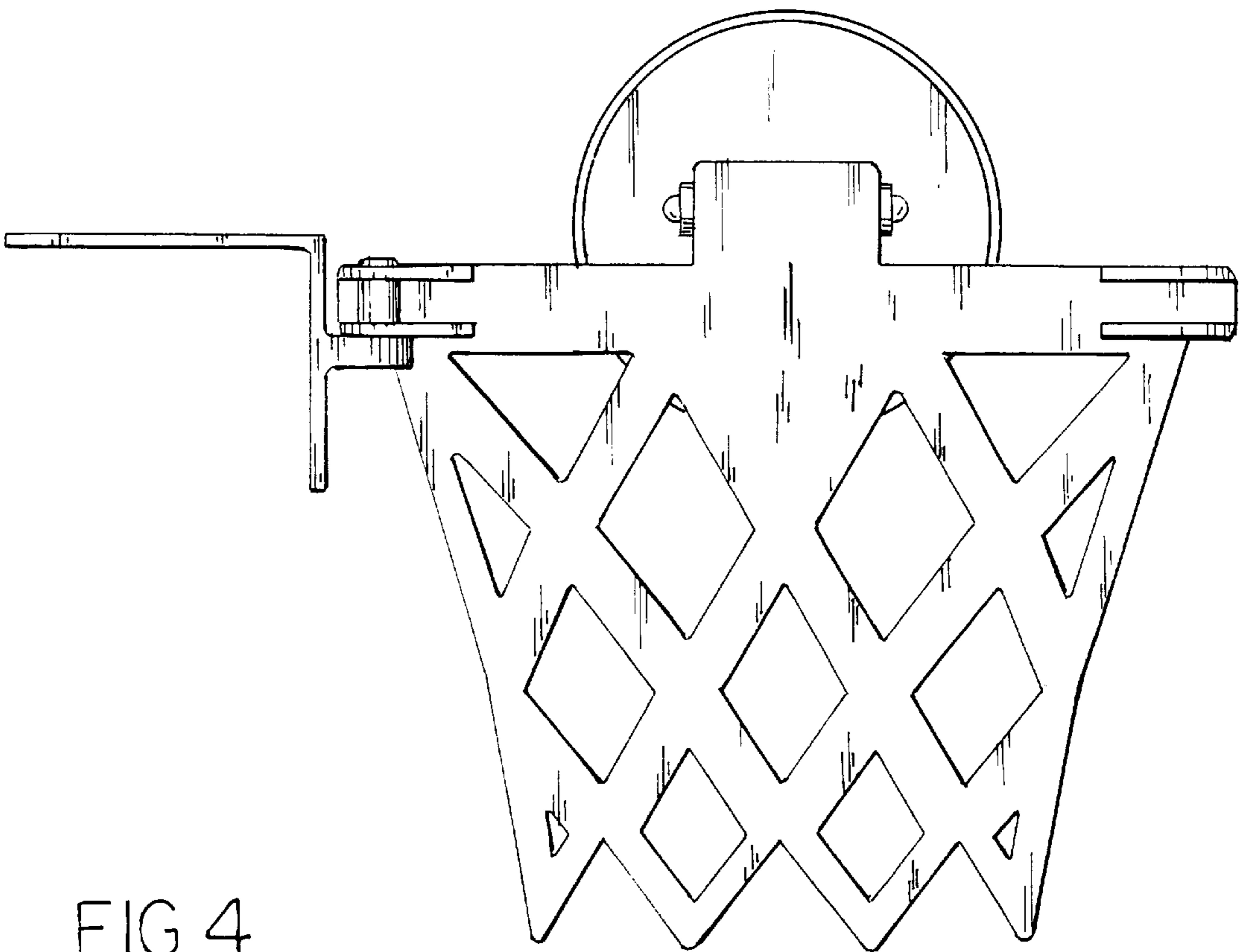
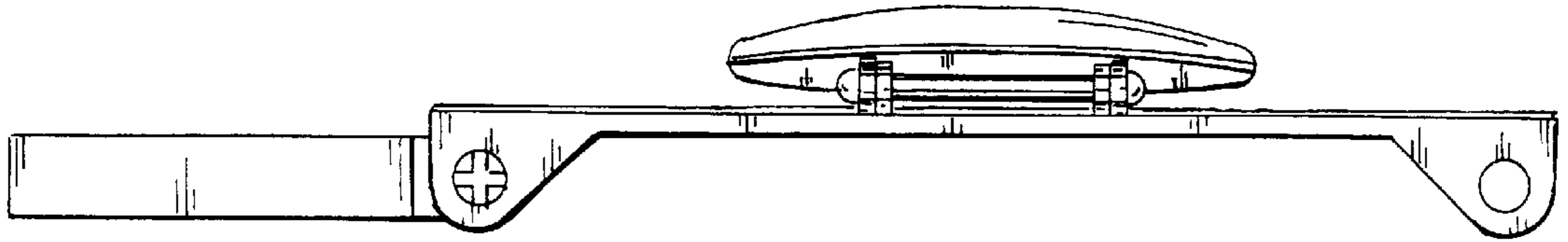


FIG. 4