



US00D425933S

United States Patent [19]

[11] Patent Number: **Des. 425,933**

Inoue et al.

[45] Date of Patent: **** May 30, 2000**

[54] **INK CARTRIDGE FOR PRINTER**

[75] Inventors: **Manabu Inoue**, Yokohama; **Osamu Morita**, Yokosuka; **Wataru Takahashi**, Kawasaki; **Masanori Takenouchi**, Yokohama, all of Japan

[73] Assignee: **Canon Kabushiki Kaisha**, Tokyo, Japan

[**] Term: **14 Years**

[21] Appl. No.: **29/104,020**

[22] Filed: **Apr. 27, 1999**

[30] **Foreign Application Priority Data**

Oct. 27, 1998 [JP] Japan 10-031142

[51] **LOC (7) Cl.** **18-02**

[52] **U.S. Cl.** **D18/56; 347/86**

[58] **Field of Search** **D18/56; 347/86, 347/87**

D. 381,680	7/1997	Tashiro et al.	D18/56
D. 382,013	8/1997	Tashiro et al.	D18/56
D. 382,014	8/1997	Tashiro et al.	D18/56
D. 382,586	8/1997	Tashiro et al.	D18/56
D. 382,588	8/1997	Tashiro et al.	D18/56
D. 382,895	8/1997	Tashiro et al.	D18/56
D. 384,371	9/1997	Tashiro et al.	D18/56
D. 385,909	11/1997	Tashiro et al.	D18/56
D. 386,203	11/1997	Tashiro et al.	D18/56
D. 386,520	11/1997	Tashiro et al.	D18/56
D. 390,869	2/1998	Tashiro et al.	D18/56
D. 392,672	3/1998	Inoue et al.	D18/56
D. 395,669	6/1998	Carlotta et al.	D18/56
D. 395,670	6/1998	Inoue et al.	D18/56
D. 395,916	7/1998	Inoue et al.	D18/56
D. 404,067	1/1999	Tashiro et al.	D18/56
D. 406,163	2/1999	Shimizu et al.	D18/56
D. 413,920	9/1999	Shimizu et al.	D18/56
D. 414,509	9/1999	Shimizu et al.	D18/56
5,182,581	1/1993	Kashimura et al.	347/87
5,576,750	11/1996	Brandon et al.	347/87
5,619,237	4/1997	Inoue et al.	347/86
5,805,187	9/1998	Sasaki	347/86
5,831,652	11/1998	Hinami et al.	347/86
5,883,653	3/1999	Sasaki	347/86

[56] **References Cited**

U.S. PATENT DOCUMENTS

D. 371,160	6/1996	Kotaki et al.	D18/56
D. 371,804	7/1996	Kotaki et al.	D18/56
D. 375,120	10/1996	Kotaki et al.	D18/56
D. 376,175	12/1996	Tashiro et al.	D18/56
D. 377,046	12/1996	Tashiro et al.	D18/56
D. 377,371	1/1997	Tokuda et al.	D18/56
D. 378,526	3/1997	Tashiro et al.	D18/56
D. 378,527	3/1997	Tashiro et al.	D18/56
D. 378,528	3/1997	Tashiro et al.	D18/56
D. 378,529	3/1997	Tashiro et al.	D18/56
D. 378,530	3/1997	Tashiro et al.	D18/56
D. 378,599	3/1997	Tashiro et al.	D18/56
D. 378,600	3/1997	Tashiro et al.	D18/56
D. 378,832	4/1997	Tashiro et al.	D18/56
D. 380,489	7/1997	Tashiro et al.	D18/56
D. 380,490	7/1997	Tashiro et al.	D18/56
D. 380,491	7/1997	Tashiro et al.	D18/56
D. 381,040	7/1997	Tashiro et al.	D18/56

Primary Examiner—Cathy Anne MacCormac
Attorney, Agent, or Firm—Fitzpatrick, Cella, Harper & Scinto

[57] **CLAIM**

The ornamental design for an ink cartridge for printer, as shown and described.

DESCRIPTION

FIG. 1 is a front view of an ink cartridge for printer showing our new design;
FIG. 2 is a rear view thereof;
FIG. 3 is a top plan view thereof;
FIG. 4 is a bottom plan view thereof;
FIG. 5 is a left side view thereof;
FIG. 6 is a right side view thereof; and,
FIG. 7 is a perspective view thereof.

1 Claim, 4 Drawing Sheets

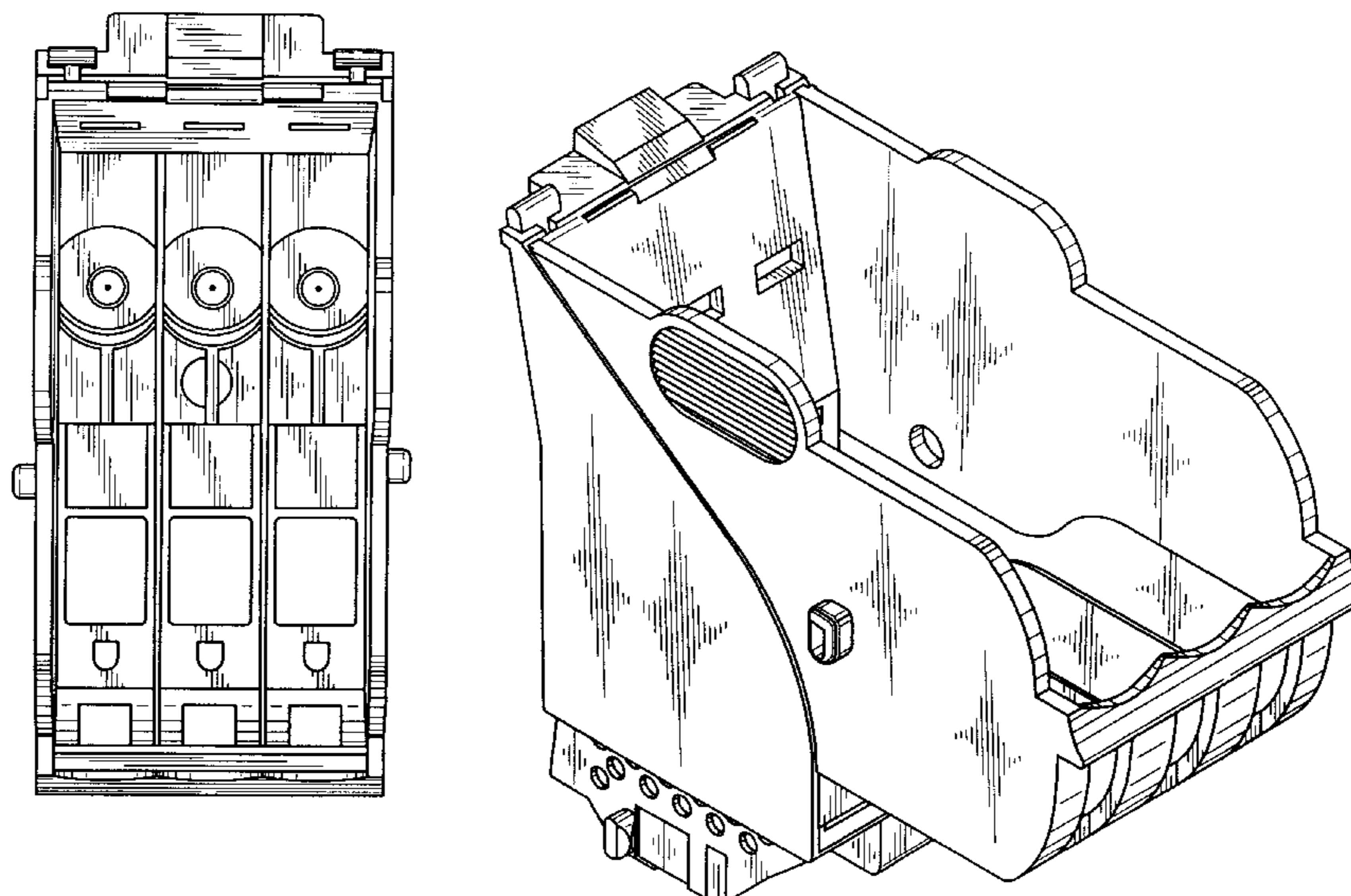


FIG. 1

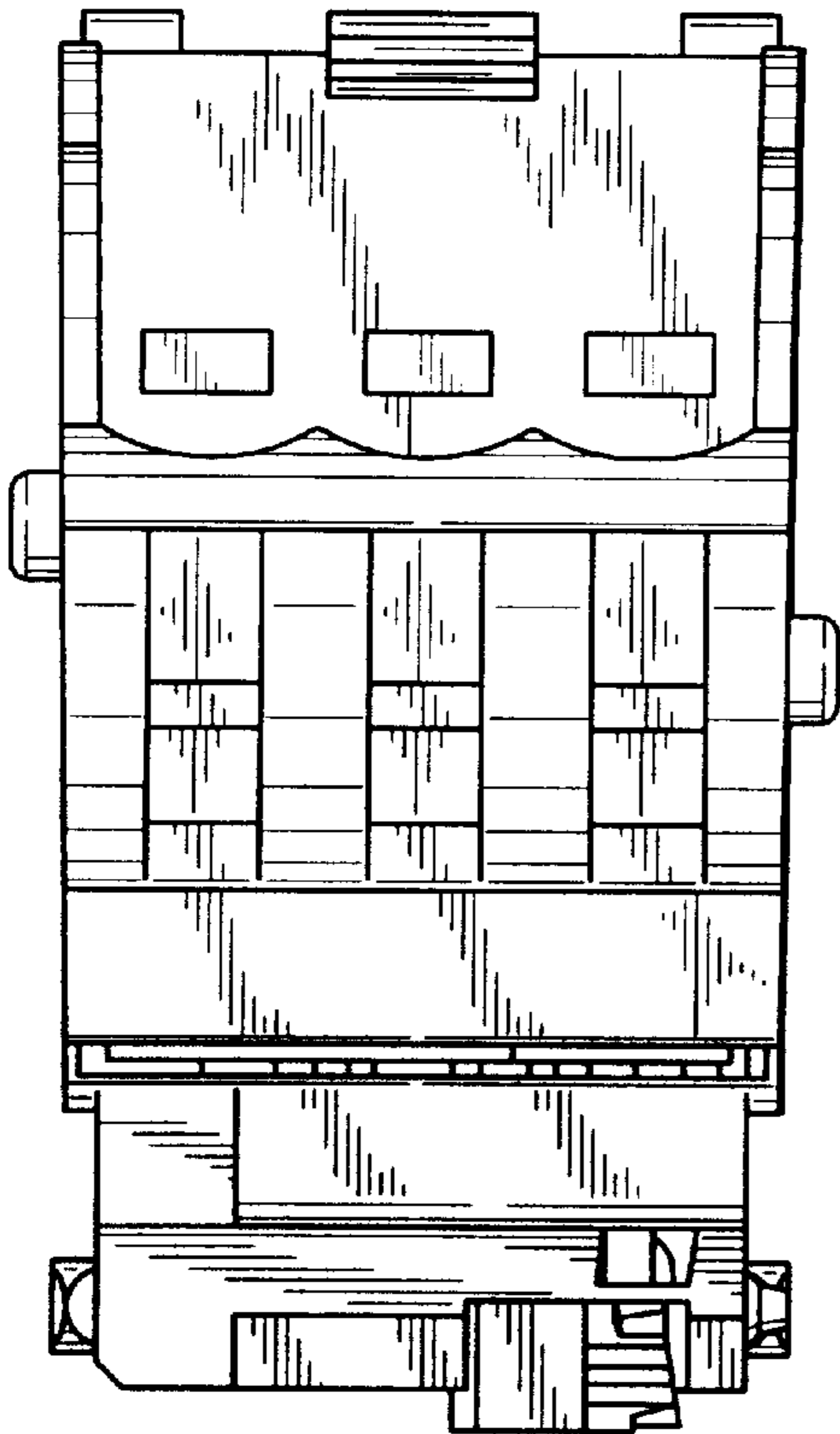


FIG. 2

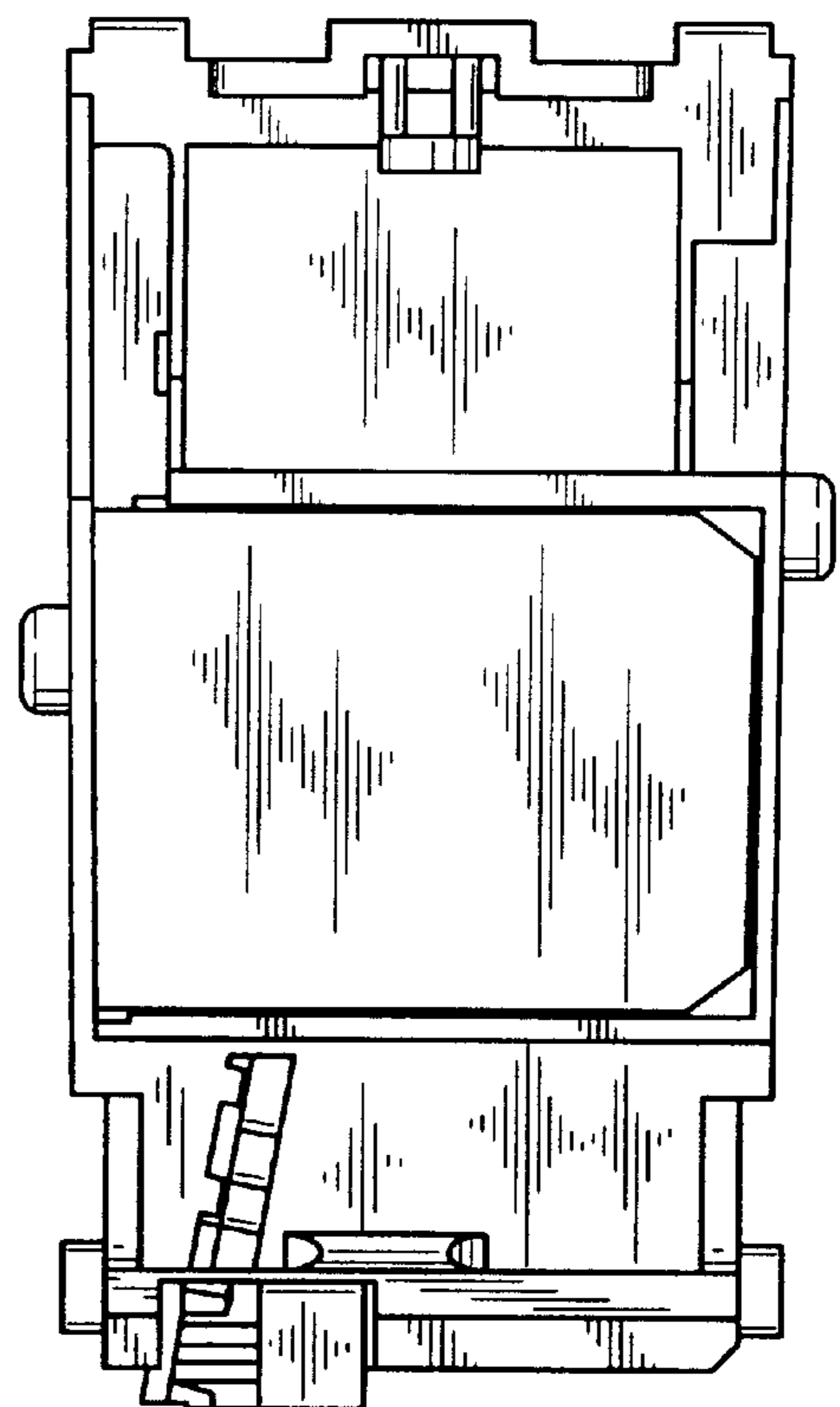


FIG. 3

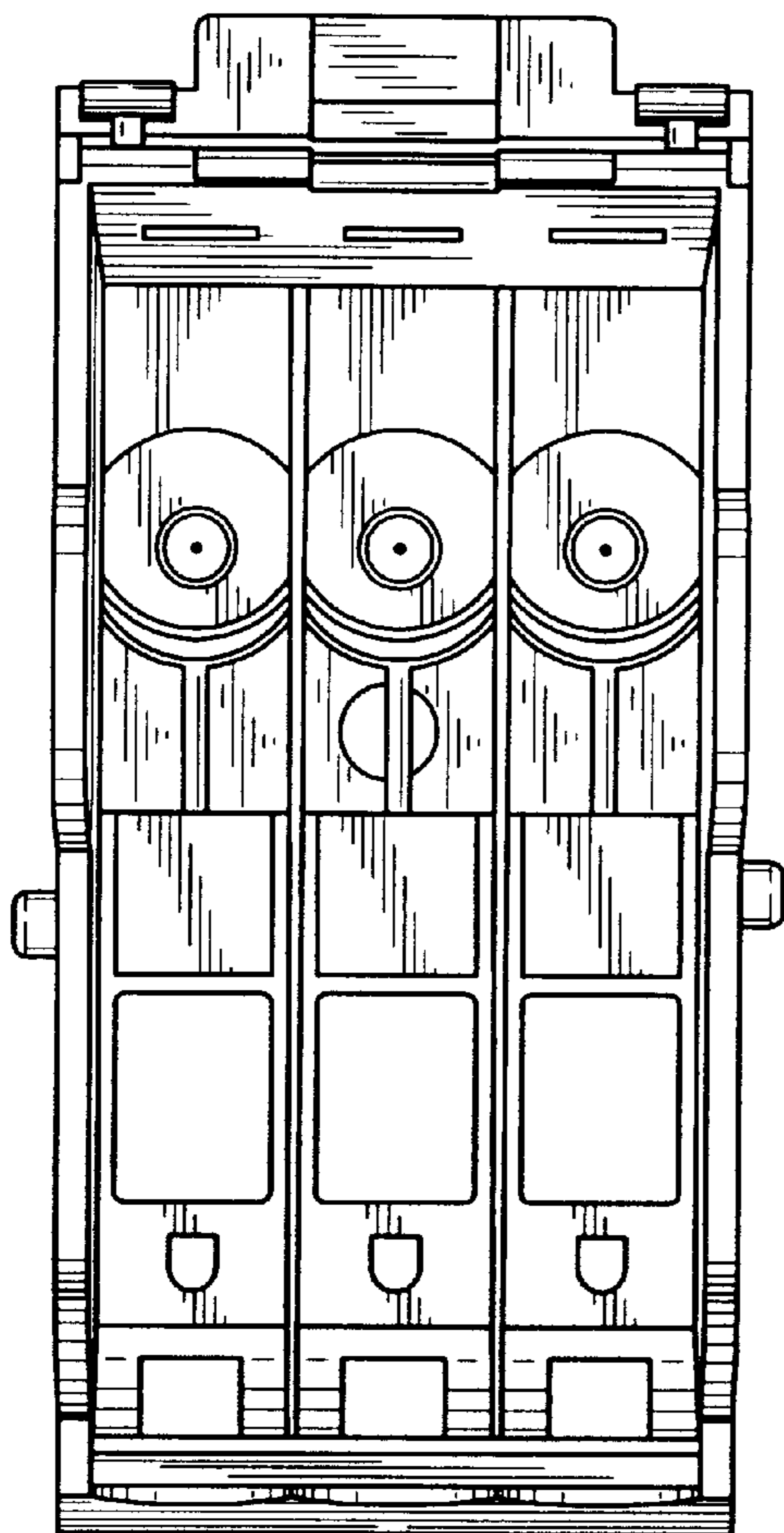


FIG. 4

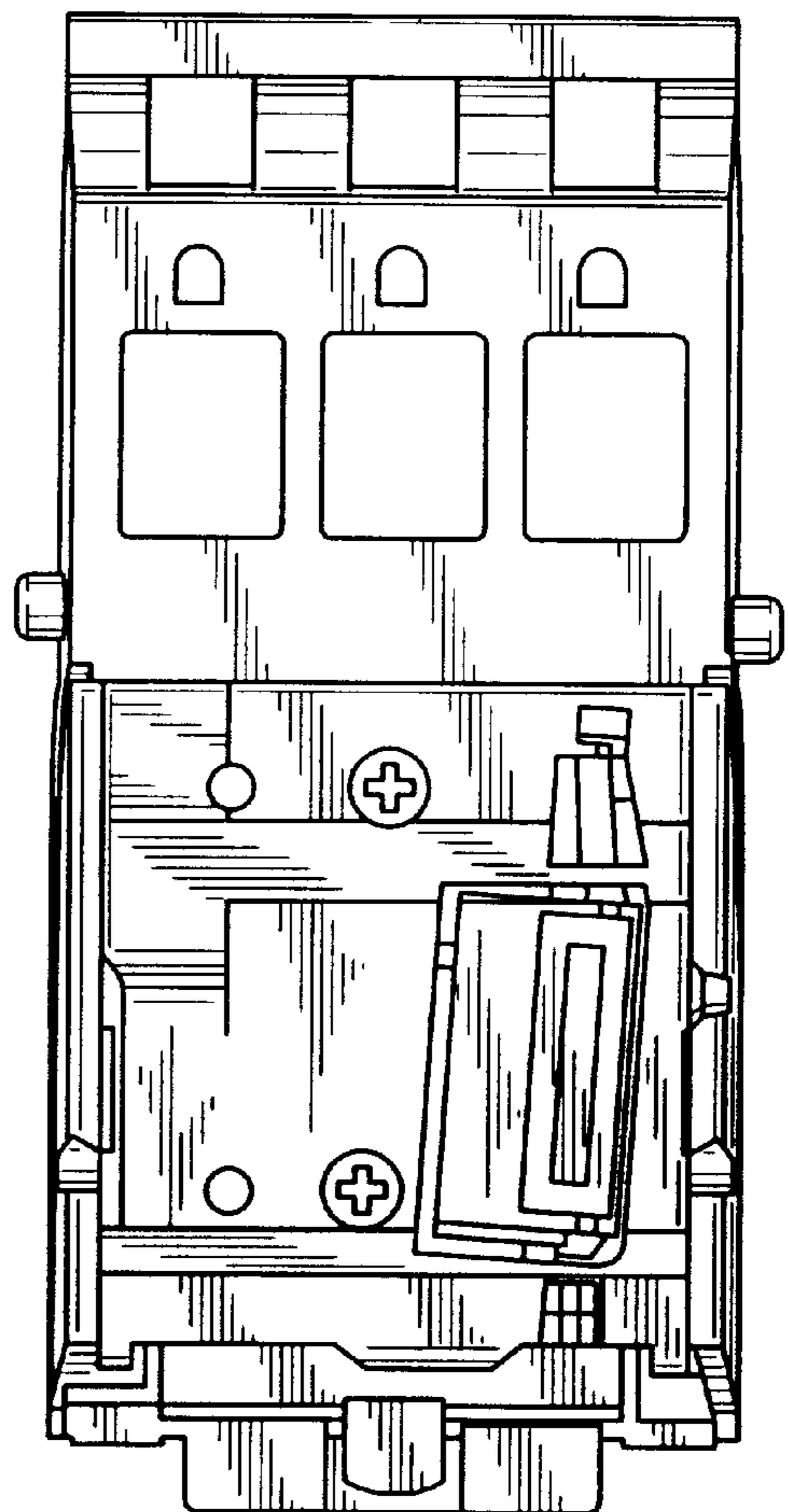


FIG. 5

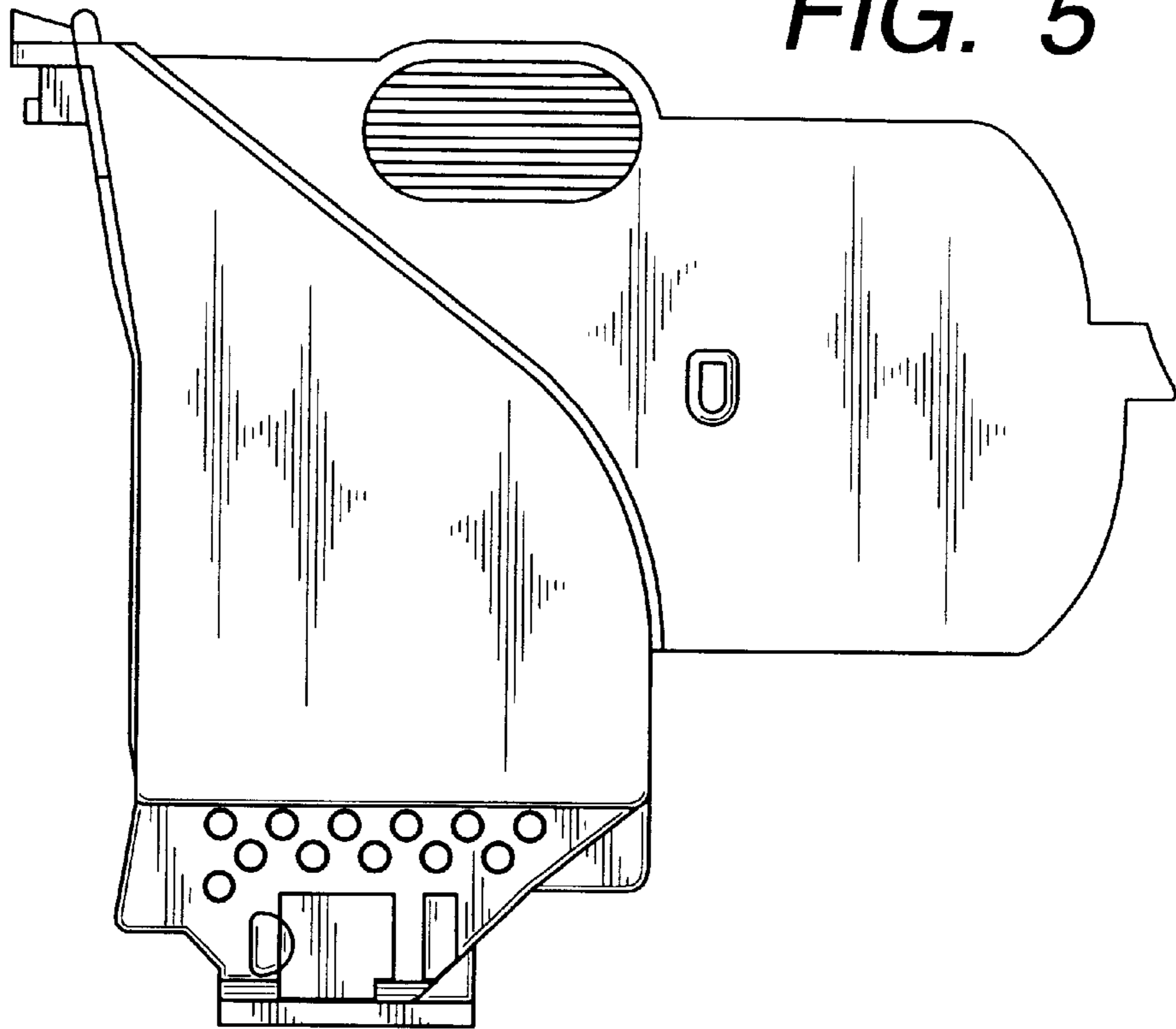


FIG. 6

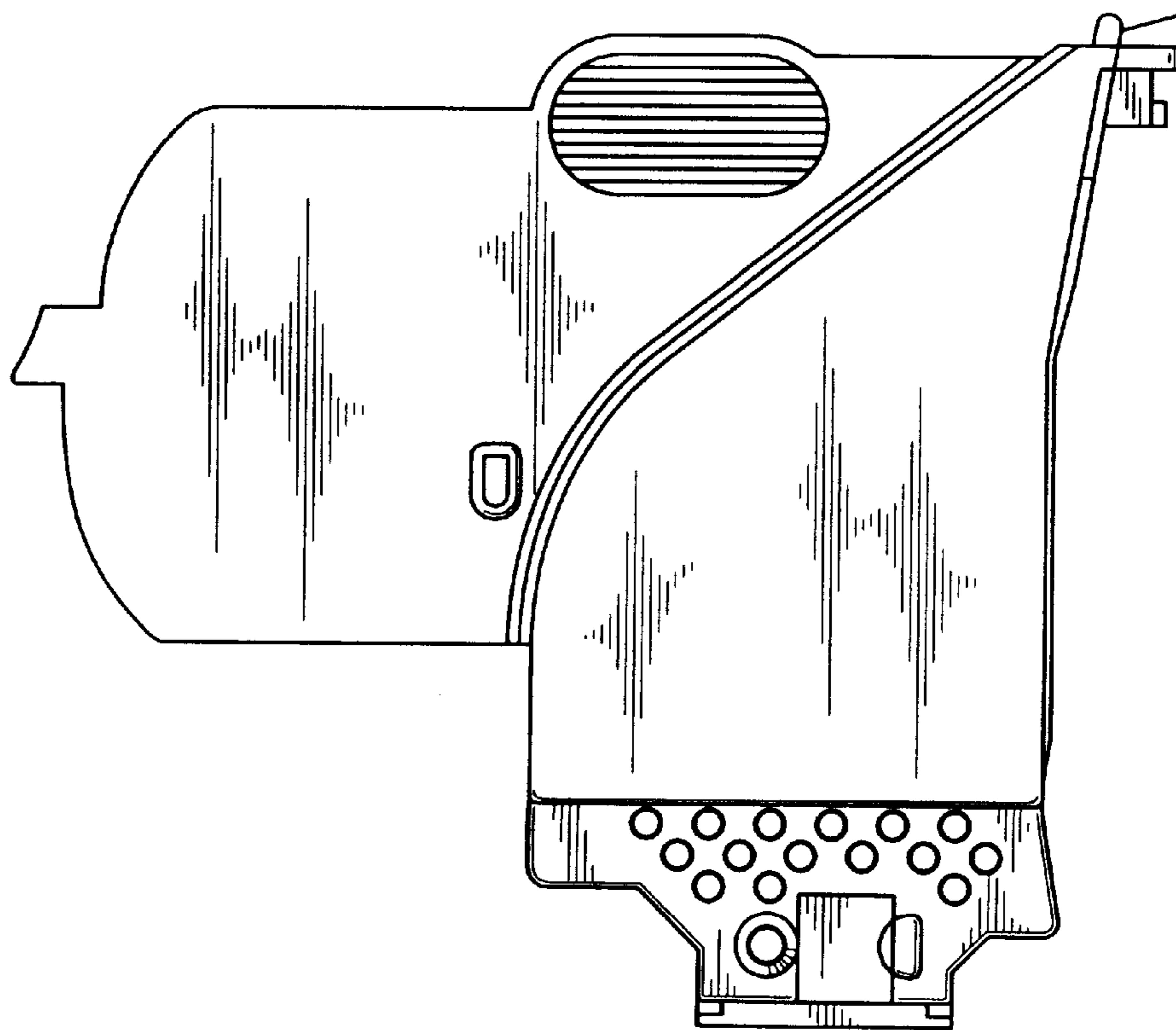


FIG. 7

