



US00D425929S

**United States Patent** [19]  
**Imai**

[11] **Patent Number: Des. 425,929**

[45] **Date of Patent: \*\* May 30, 2000**

[54] **ELECTRONIC COPYING MACHINE**

D. 374,454 10/1996 Naruki et al. .... D18/36  
D. 410,675 6/1999 Ohashi ..... D18/36

[75] Inventor: **Akira Imai**, Kanagawa, Japan

[73] Assignee: **Ricoh Company, Ltd.**, Tokyo, Japan

[\*\*] Term: **14 Years**

*Primary Examiner*—Caron D. Veynar  
*Attorney, Agent, or Firm*—Dickstein Shapiro Morin & Oshinsky LLP

[21] Appl. No.: **29/106,791**

[22] Filed: **Jun. 23, 1999**

[57] **CLAIM**

The ornamental design for the electronic copying machine, as shown and described.

[30] **Foreign Application Priority Data**

Dec. 24, 1998 [JP] Japan ..... 10-37499

**DESCRIPTION**

[51] **LOC (7) Cl.** ..... **16-03**

[52] **U.S. Cl.** ..... **D18/36**

[58] **Field of Search** ..... D18/36.36; 399/1-7,  
399/82, 124

FIG. 1 is a top, front and left side perspective view of an electronic copying machine showing my new design;  
FIG. 2 is a front elevation view thereof;  
FIG. 3 is a top elevation view thereof;  
FIG. 4 is a rear elevation view thereof;  
FIG. 5 is a bottom elevation view thereof;  
FIG. 6 is a left side elevation view thereof; and,  
FIG. 7 is a right side elevation view thereof.

[56] **References Cited**

**U.S. PATENT DOCUMENTS**

D. 331,595 12/1992 Ishida ..... D18/38

**1 Claim, 4 Drawing Sheets**

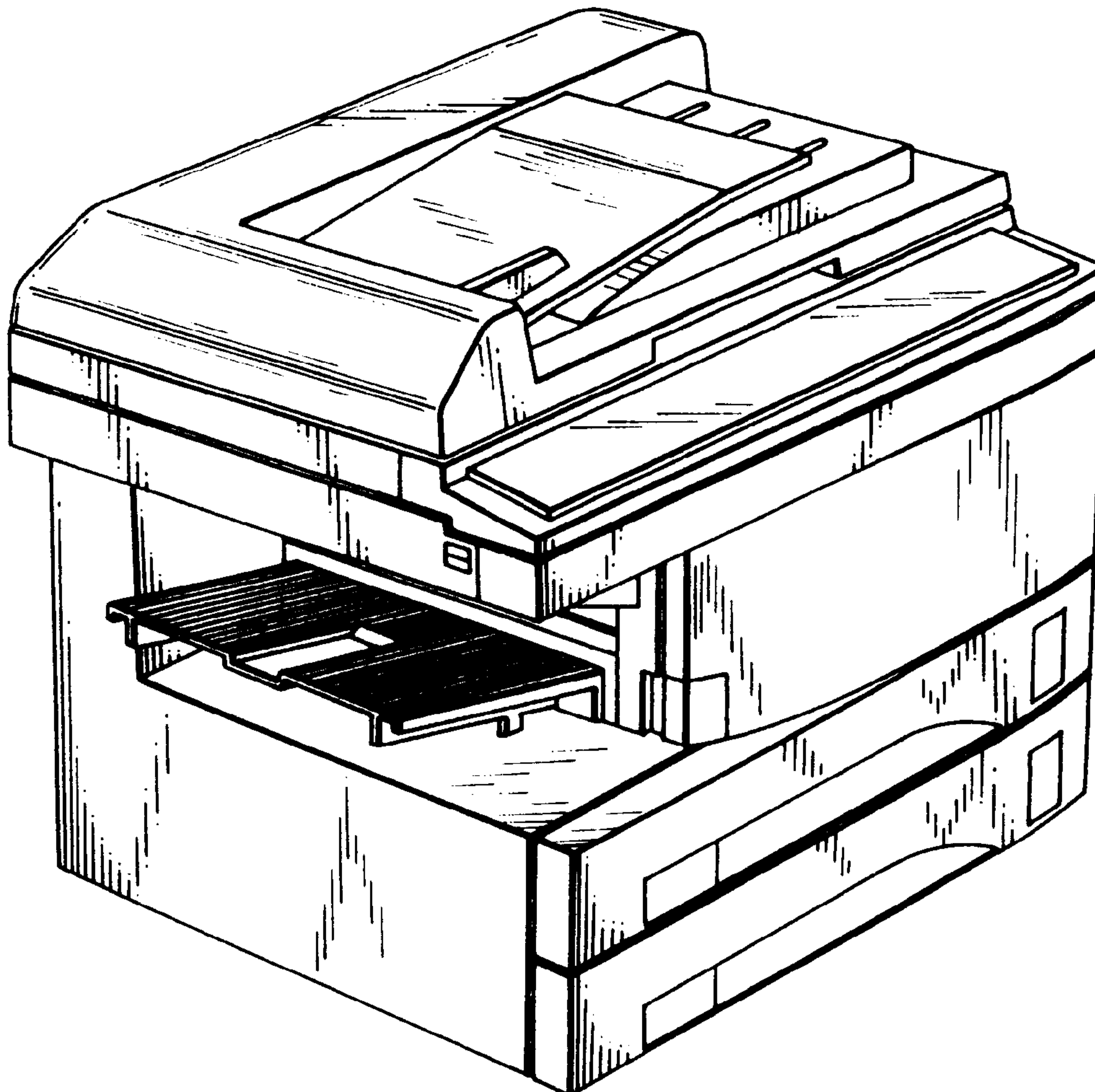


FIG. 1

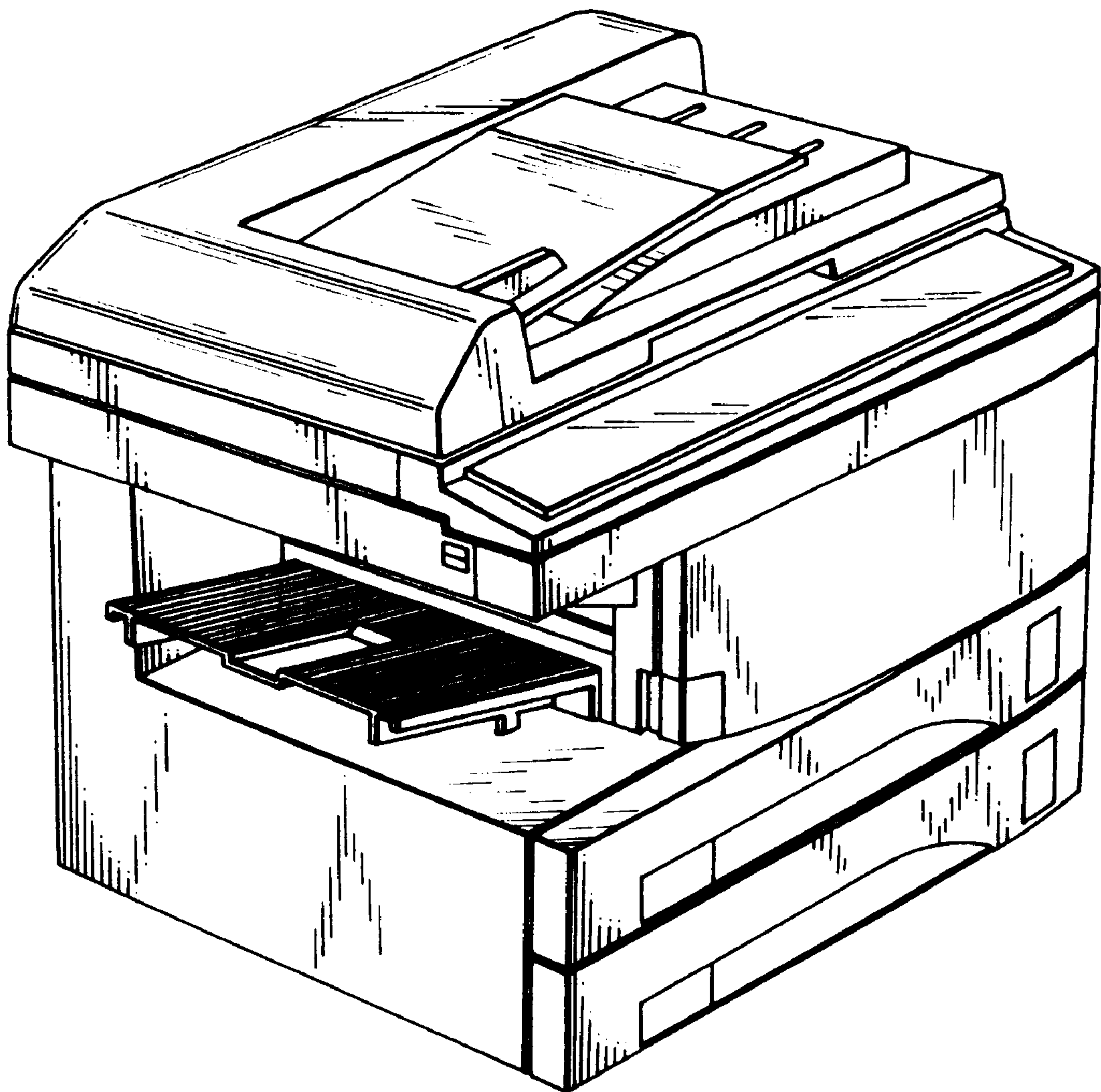


FIG. 2

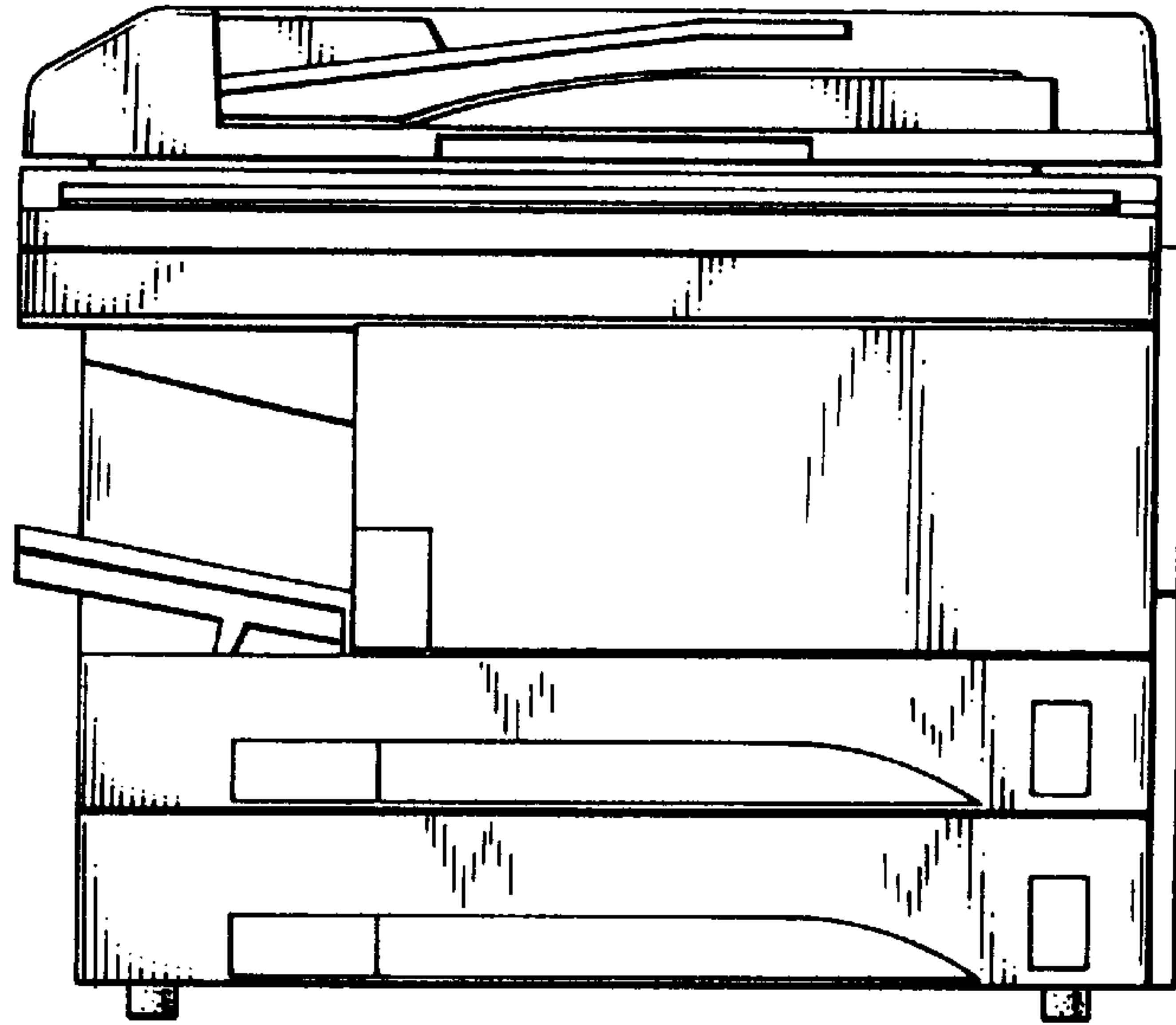


FIG. 3

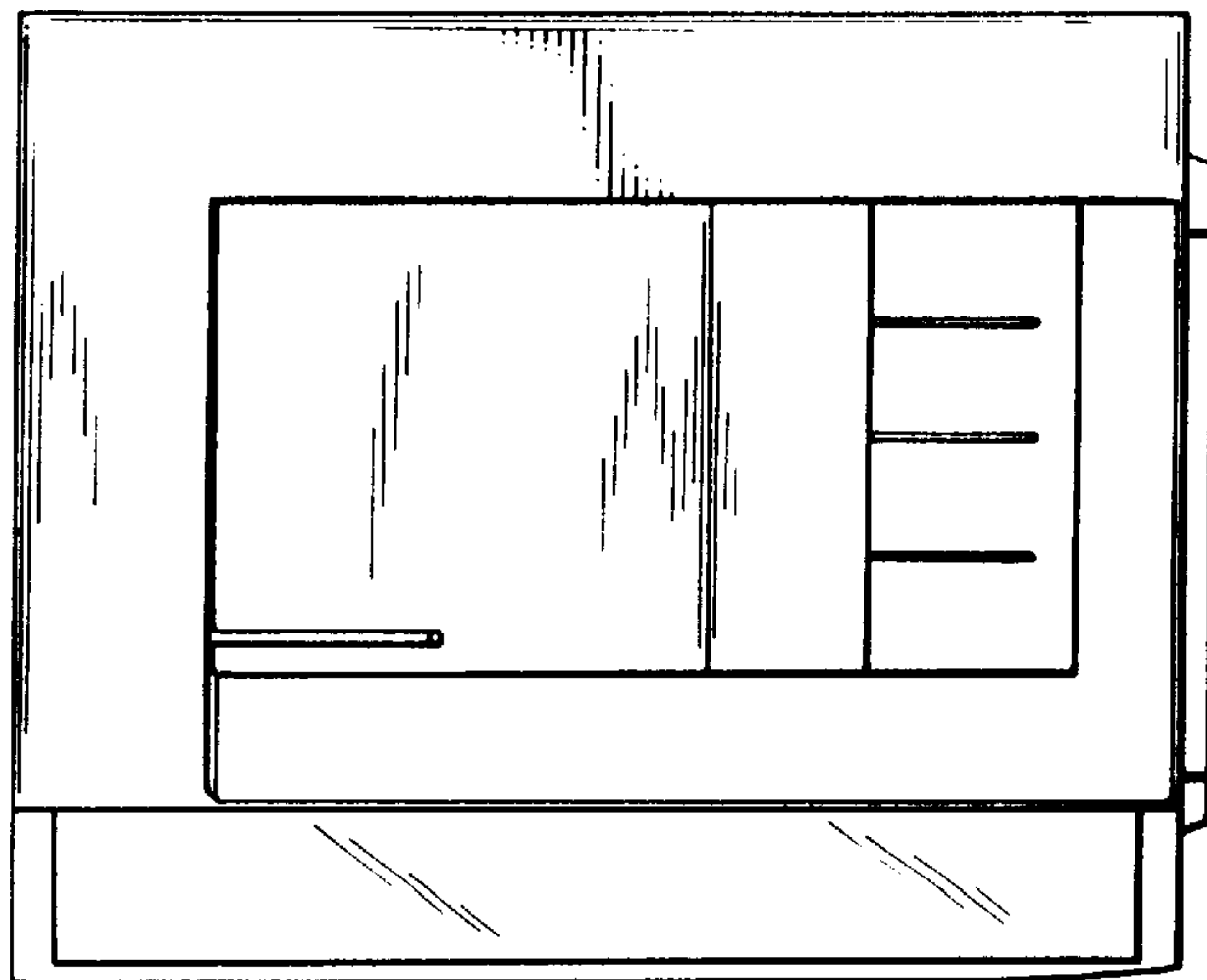


FIG. 4

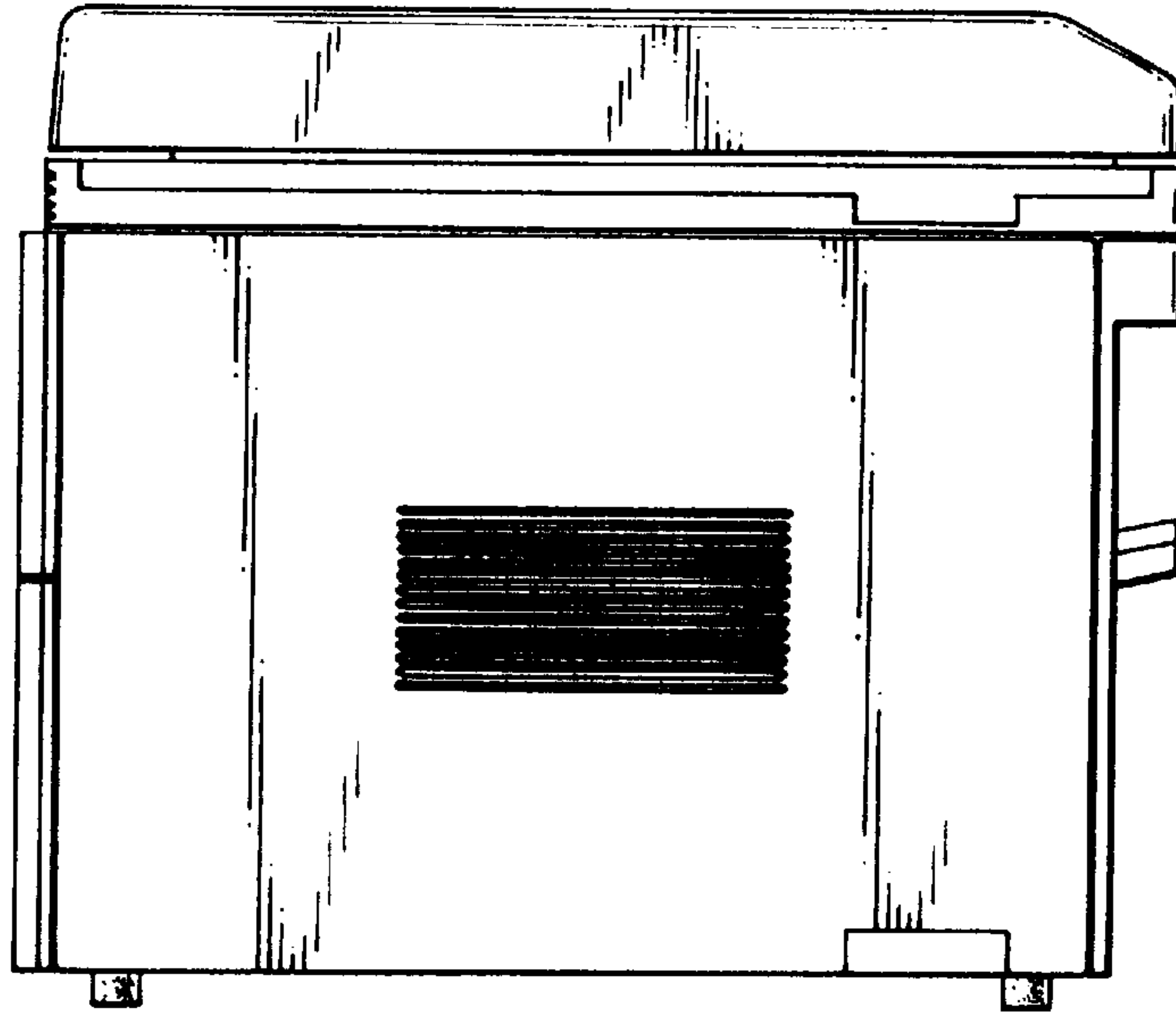


FIG. 5

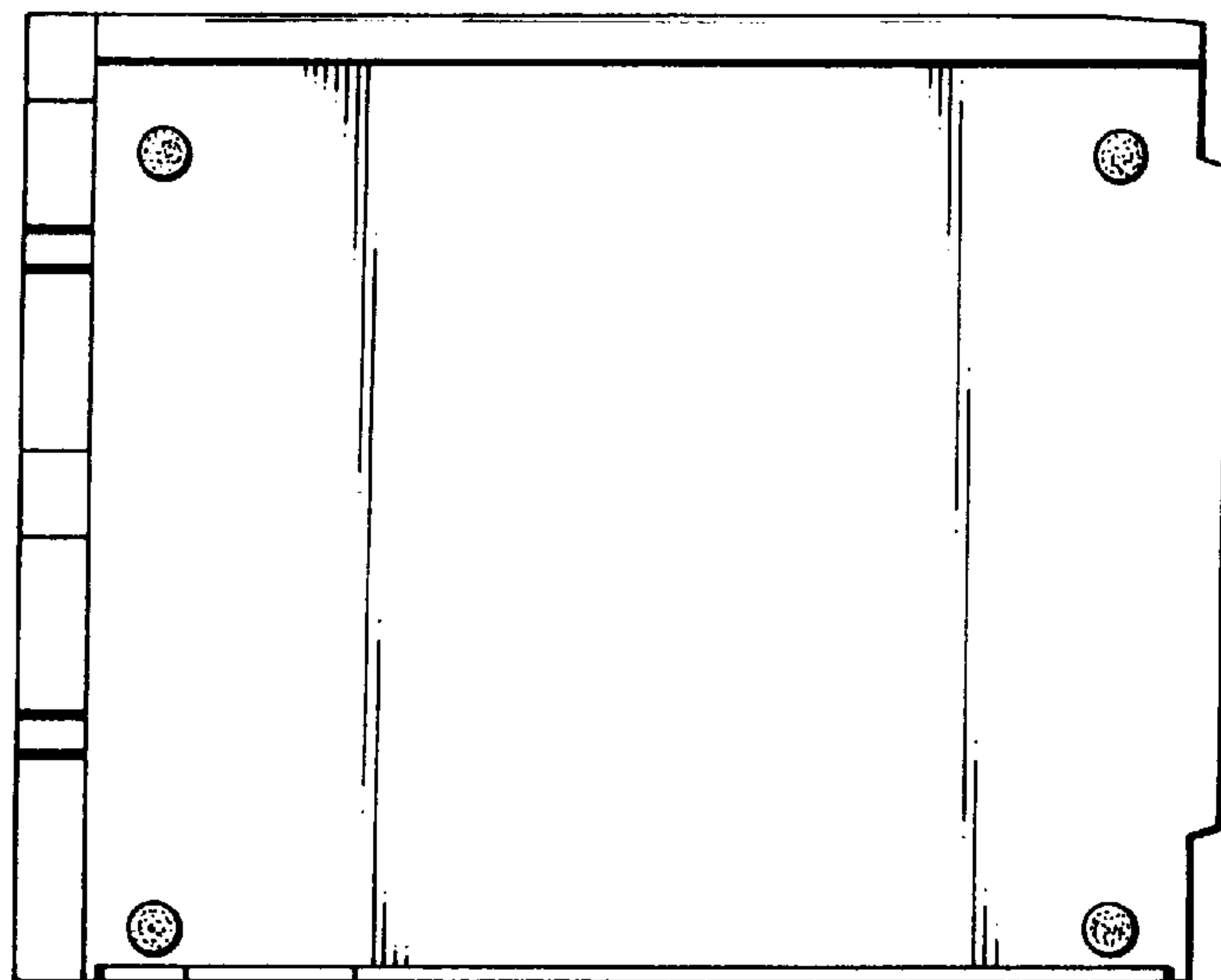


FIG. 6

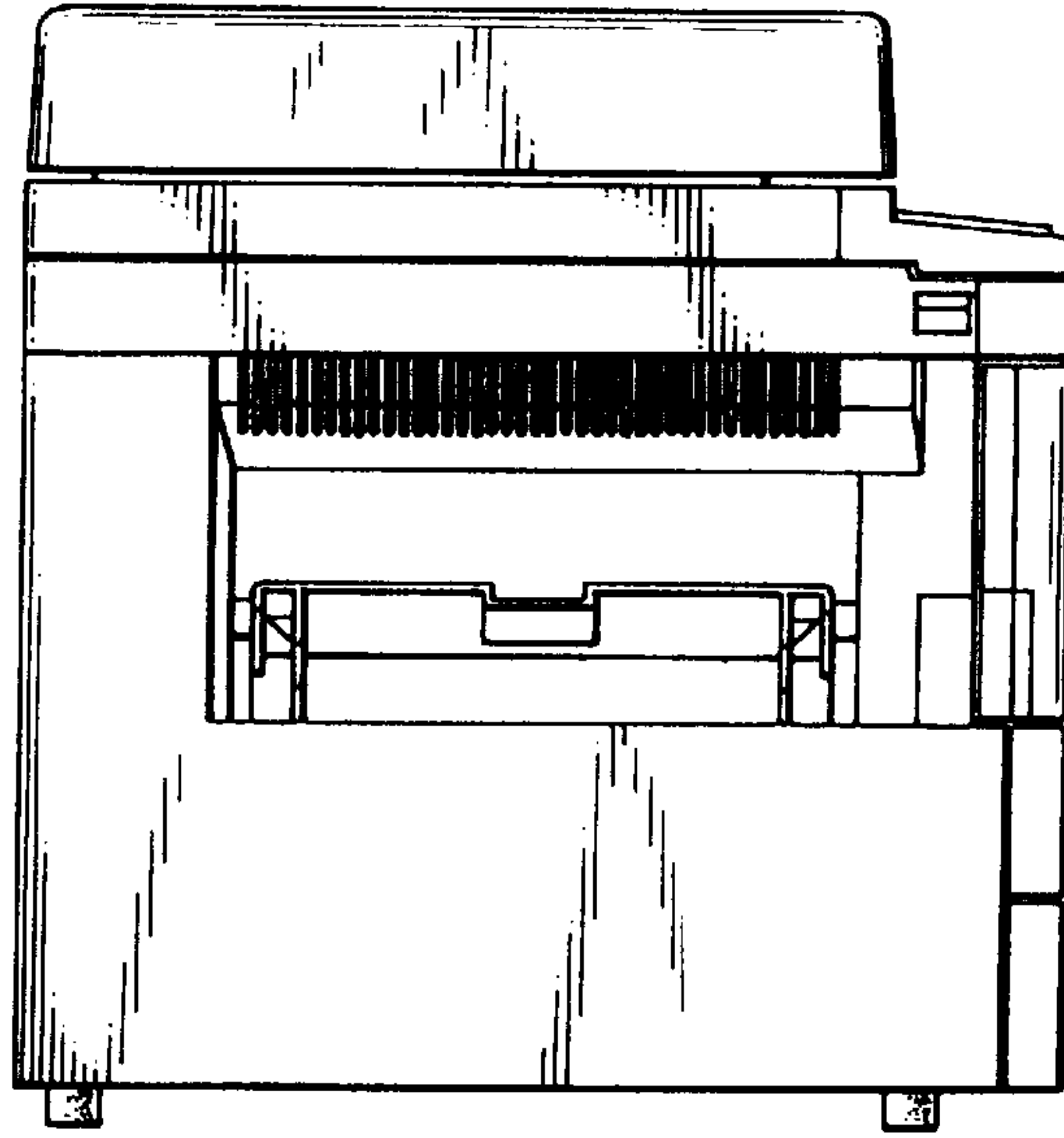


FIG. 7

