



US00D425928S

# United States Patent [19]

[11] **Patent Number: Des. 425,928**

**Jobetto et al.**

[45] **Date of Patent: \*\* May 30, 2000**

[54] **CASH REGISTER**

D. 338,877	8/1993	Savio .....	D18/4.5
D. 354,074	1/1995	Ono et al. ....	D18/4.5
D. 361,757	8/1995	Mizusugi et al. ....	D18/4.5

[75] Inventors: **Takeshi Jobetto; Osamu Yonekawa**, both of Kanagawa; **Akira Nakajima**, Tokyo; **Ichiro Arai**, Kanagawa, all of Japan

### FOREIGN PATENT DOCUMENTS

970461	12/1996	Japan .
1016652	7/1998	Japan .

[73] Assignee: **Matsushita Electric Industrial Co., Ltd.**, Japan

*Primary Examiner*—Caron D. Veynar  
*Attorney, Agent, or Firm*—Saidman DesignLaw Group

[\*\*] Term: **14 Years**

### [57] CLAIM

[21] Appl. No.: **29/109,252**

The ornamental design for a cash register, as shown and described.

[22] Filed: **Aug. 12, 1999**

### [30] Foreign Application Priority Data

Mar. 11, 1999 [JP] Japan ..... 11-6305

### DESCRIPTION

[51] **LOC (7) Cl.** ..... **18-01**

FIG. 1 is a perspective view of the top, front and right side of a cash register showing our new design;  
FIG. 2 is a front view thereof;  
FIG. 3 is a rear view thereof;  
FIG. 4 is a top plan view thereof;  
FIG. 5 is a right side view thereof;  
FIG. 6 is a left side view thereof;  
FIG. 7 is a bottom view thereof; and,  
FIG. 8 is a perspective view similar with FIG. 1 with the indication part in inclined condition.

[52] **U.S. Cl.** ..... **D18/4.3; D18/4.6**

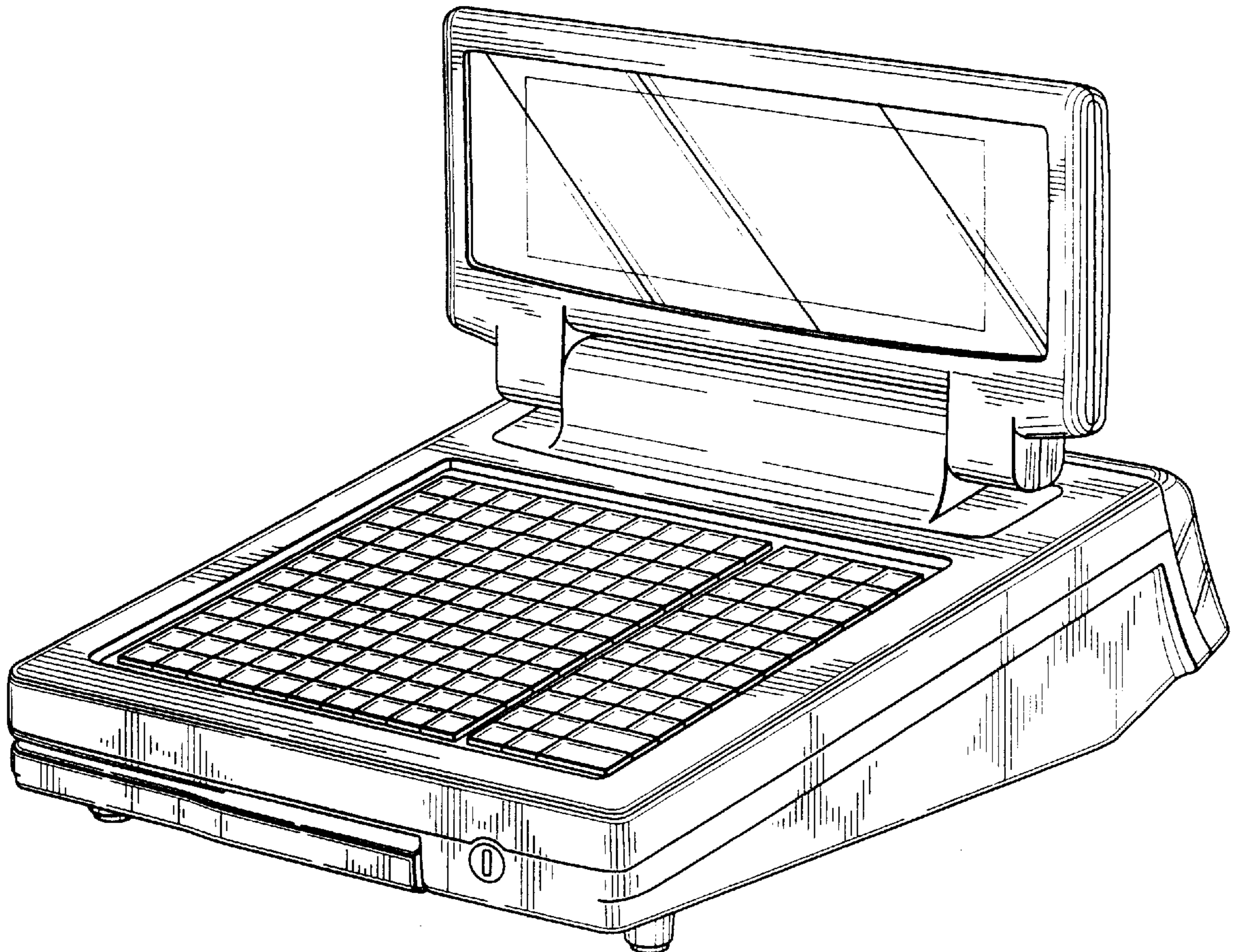
[58] **Field of Search** ..... **D18/4.1-4.6; D14/383; 705/15-17**

### [56] References Cited

#### U.S. PATENT DOCUMENTS

D. 310,212	8/1990	Forsythe .....	D18/4.5
D. 333,672	3/1993	Minamizono .....	D18/4.5

**1 Claim, 6 Drawing Sheets**



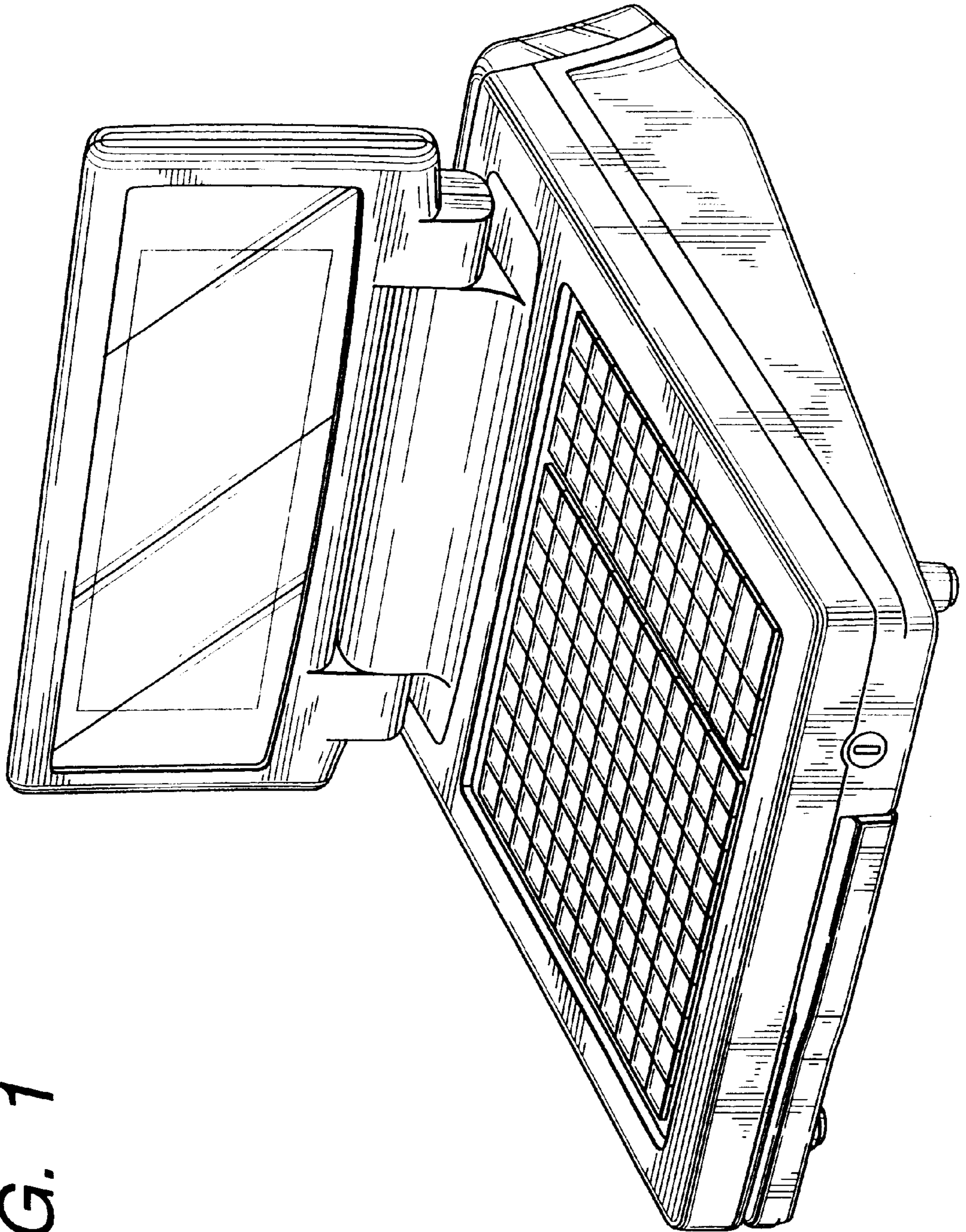
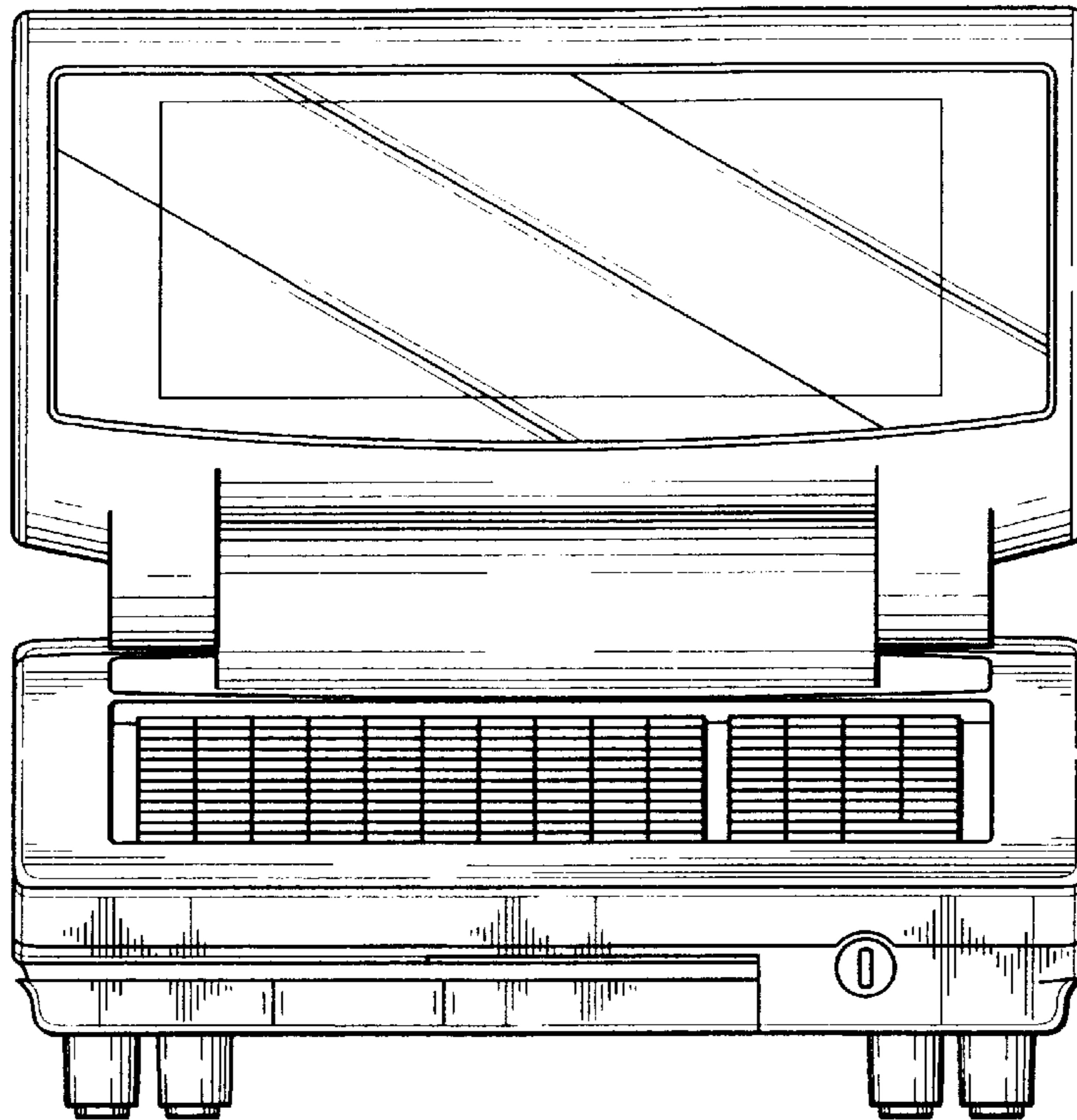
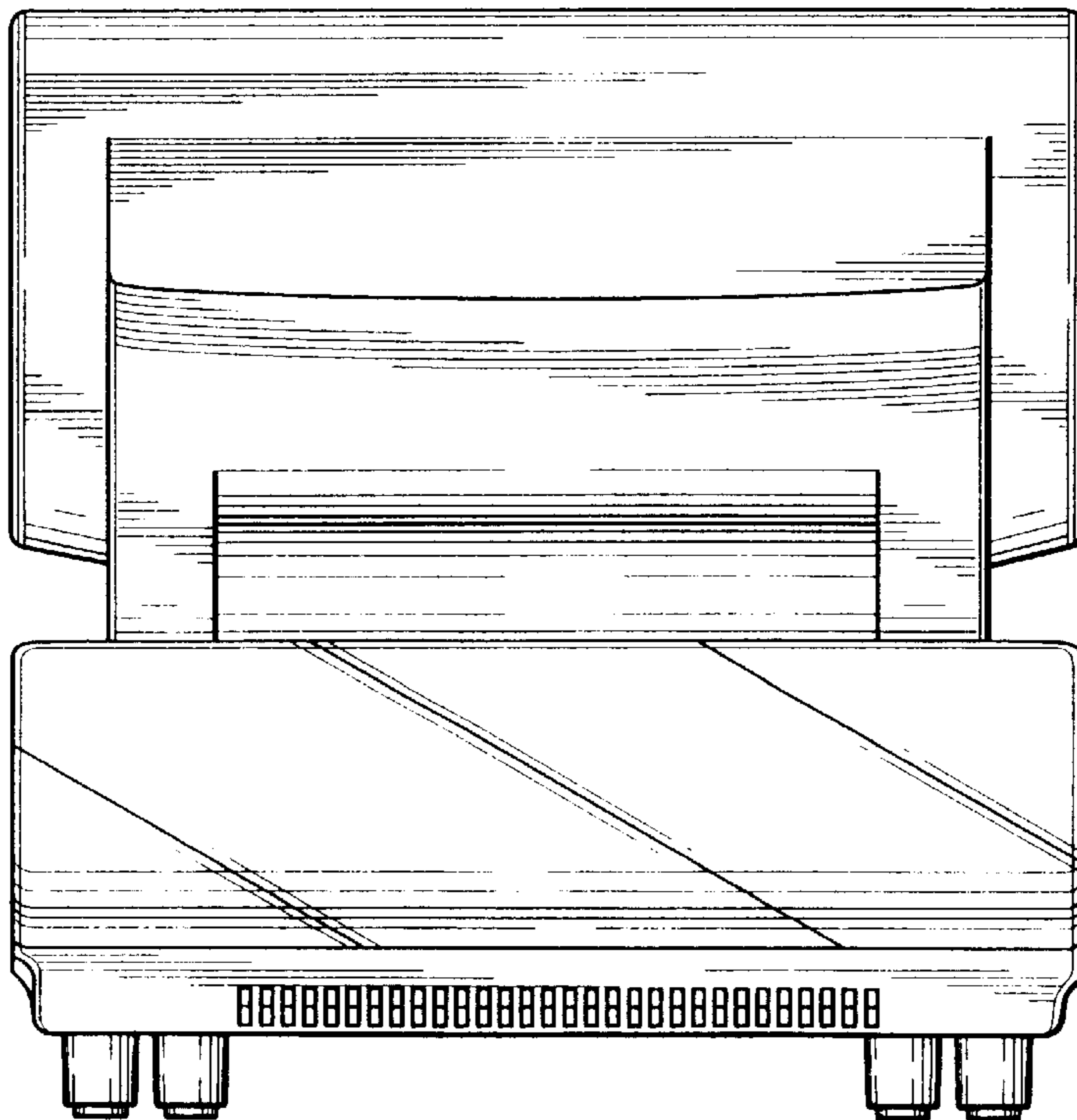


FIG. 1

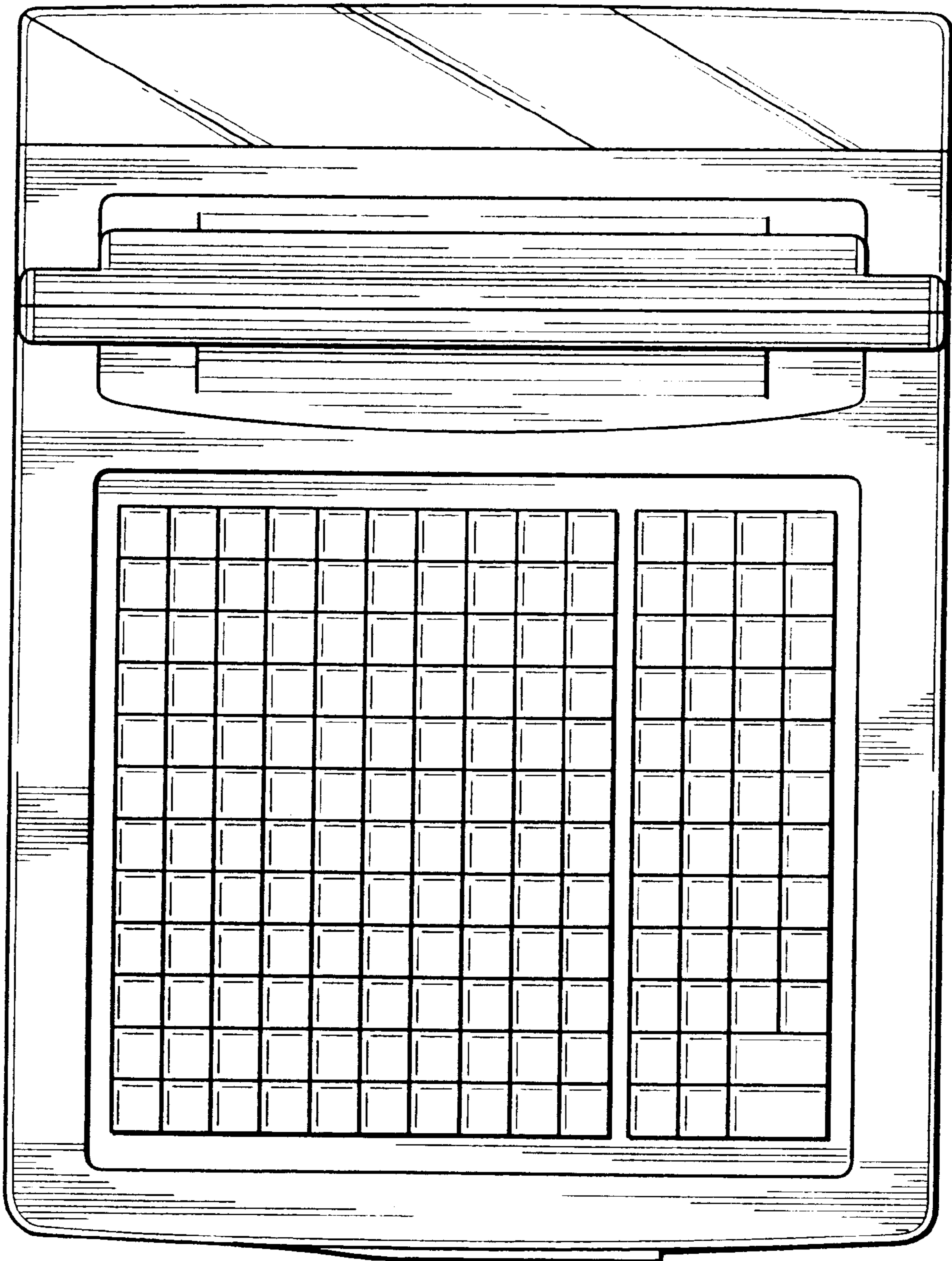
*FIG. 2*



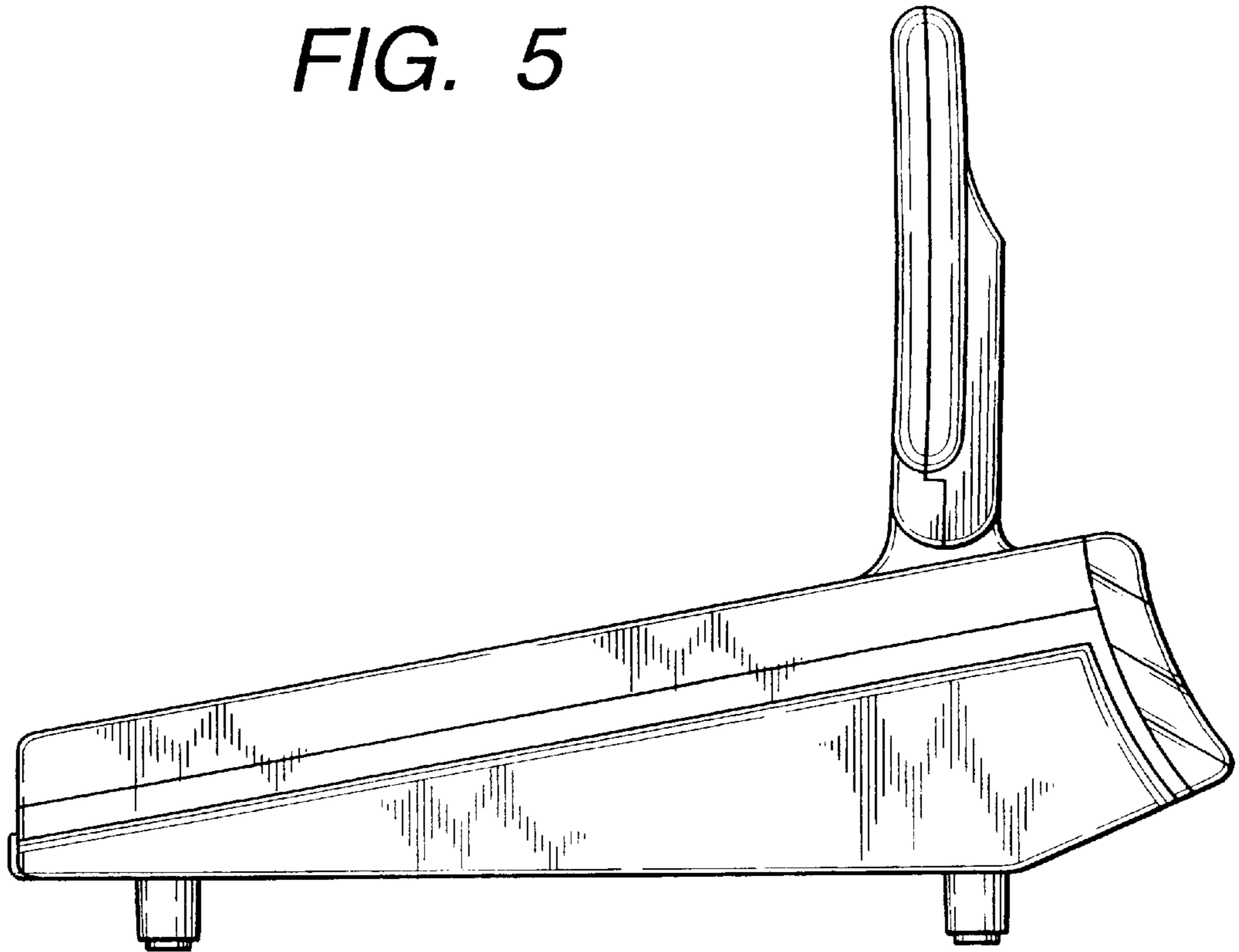
*FIG. 3*



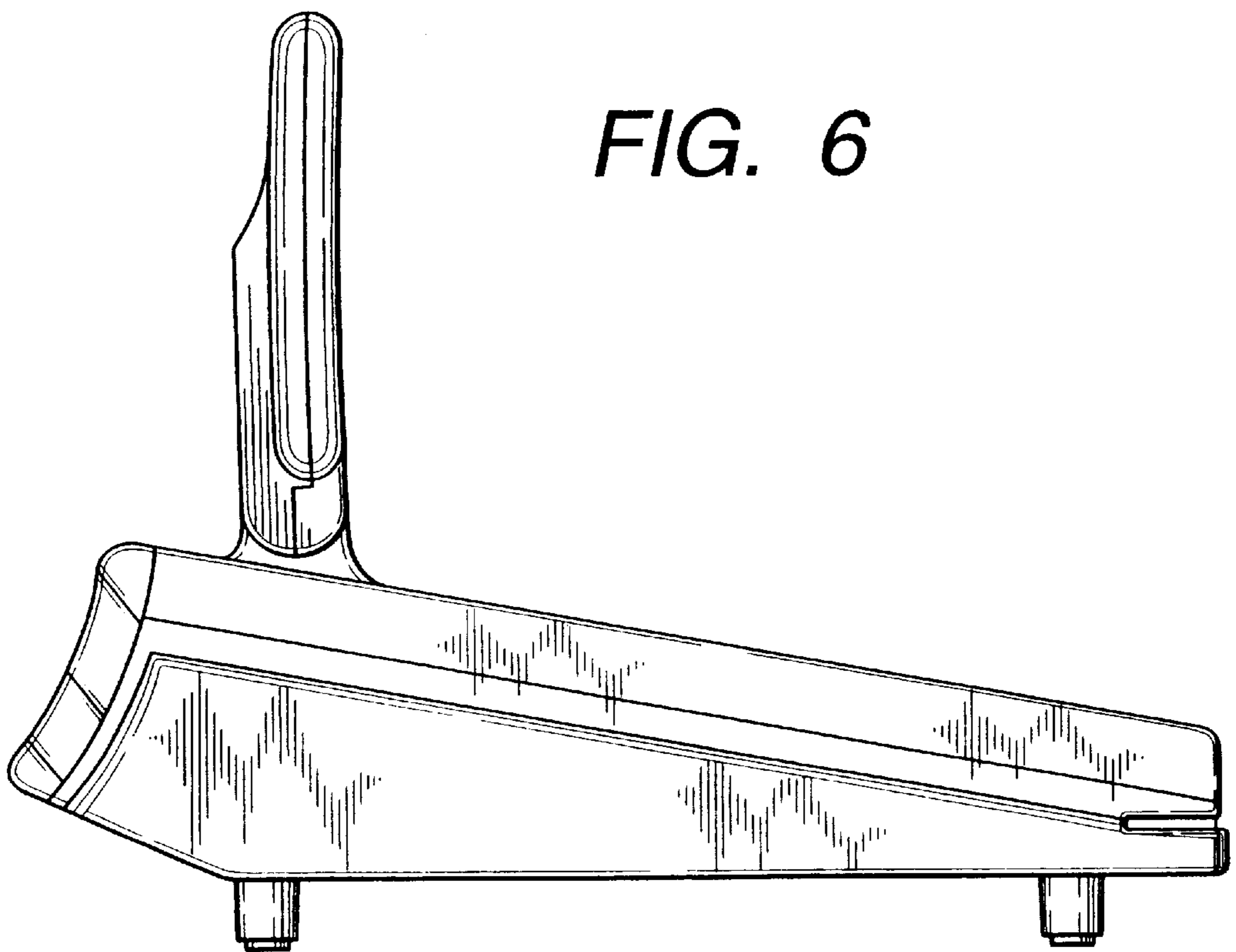
*FIG. 4*



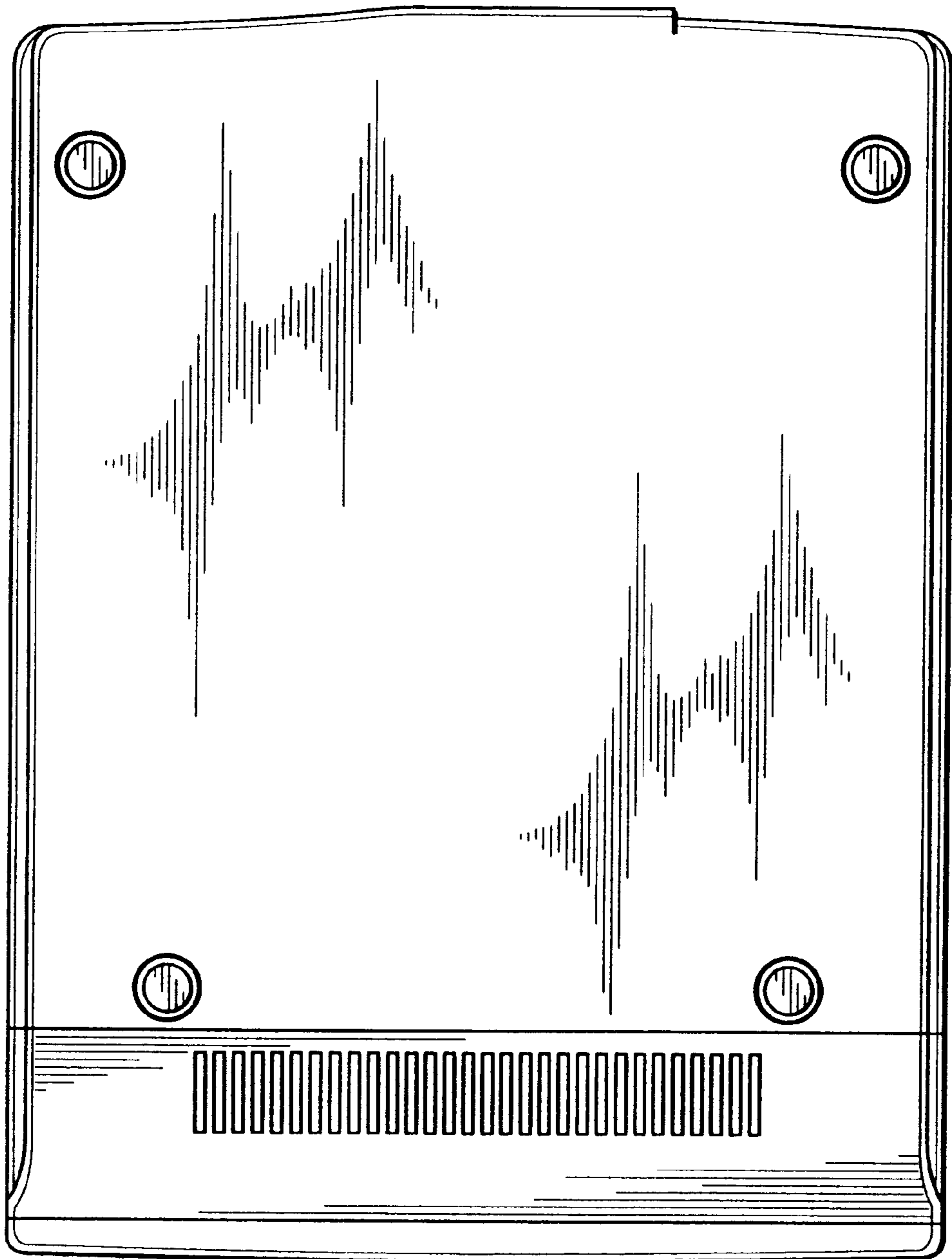
*FIG. 5*



*FIG. 6*



*FIG. 7*



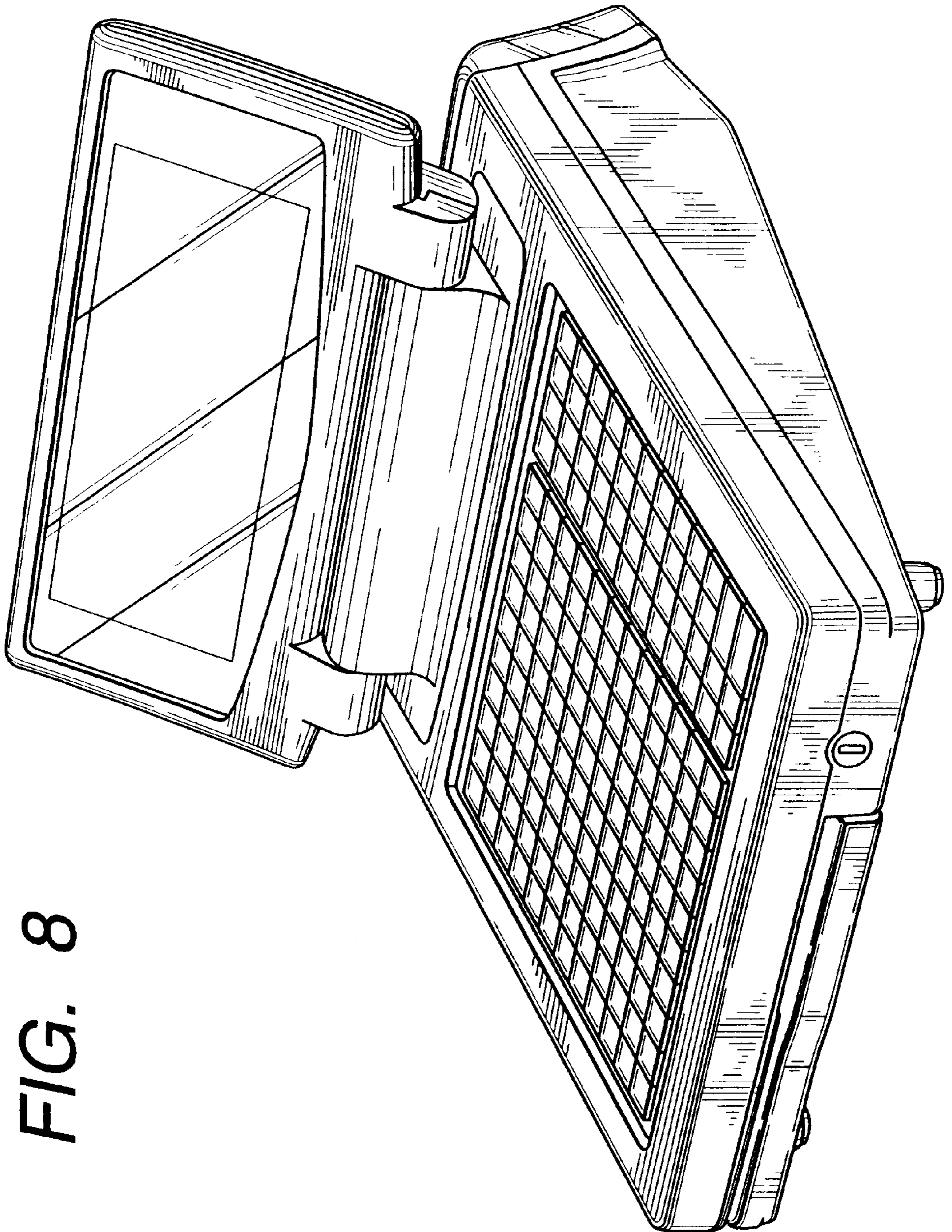


FIG. 8