



US00D425925S

**United States Patent** [19]  
**Akaike**

[11] **Patent Number: Des. 425,925**

[45] **Date of Patent: \*\* May 30, 2000**

[54] **LIGHT BOX**

[75] Inventor: **Mitsuru Akaike**, Tokyo, Japan

[73] Assignee: **Hakuba Shashin Sangyo Kabushiki Kaisha**, Tokyo, Japan

[\*\*] Term: **14 Years**

[21] Appl. No.: **29/100,171**

[22] Filed: **Feb. 4, 1999**

[51] **LOC (7) Cl.** ..... **16-02**

[52] **U.S. Cl.** ..... **D16/225; D16/221; 40/574**

[58] **Field of Search** ..... **D16/221, 225, D16/227; 40/361-367, 564, 574, 575; 362/97, 98, 812; 353/120, DIG. 2; 359/803**

[56] **References Cited**

**U.S. PATENT DOCUMENTS**

D. 390,861	2/1998	Liao	.....	D16/225
4,564,886	1/1986	Morcheles	.....	362/97
4,775,918	10/1988	Snyder	.....	40/361
5,337,224	8/1994	Field et al.	.....	362/98
5,813,748	9/1998	Maxymych	.....	362/98

*Primary Examiner*—Adir Aronovich  
*Attorney, Agent, or Firm*—Lackenbach Siegel

[57] **CLAIM**

The ornamental design for a light box, as shown and described.

**DESCRIPTION**

FIG. 1 is a perspective view of a light box showing my new design with the cover closed;  
 FIG. 2 is a perspective view of the light box with cover opened;  
 FIG. 3 is a top plain view of the light box;  
 FIG. 4 is a front view of the light box;  
 FIG. 5 is a bottom plain view of the light box;  
 FIG. 6 is a rear view of the light box;  
 FIG. 7 is a left side view of the light box;  
 FIG. 8 is a right side view of the light box;  
 FIG. 9 is a cross sectional view along the line 1—1 of FIG. 4  
 4  
 FIG. 10 is a cross sectional view along the line 2—2 of FIG. 4; and,  
 FIG. 11 is a cross sectional view along the line 3—3 of FIG. 4.

This design is for a portable light box for lighting an object such as a photographic positive and negative. The article comprises a battery space inside of the body, a light for lighting the object on an upper part of the body and a transparent rotary cover on the upper part. The upper part of the body has a concavity on which one can put two photographic positives on itself in parallel.  
 The cover is opened and the objects are put on the concavity. The cover is then closed and the objects are fixed by the closed cover. The objects to be lighted may also be put directly on the closed cover.

**1 Claim, 4 Drawing Sheets**

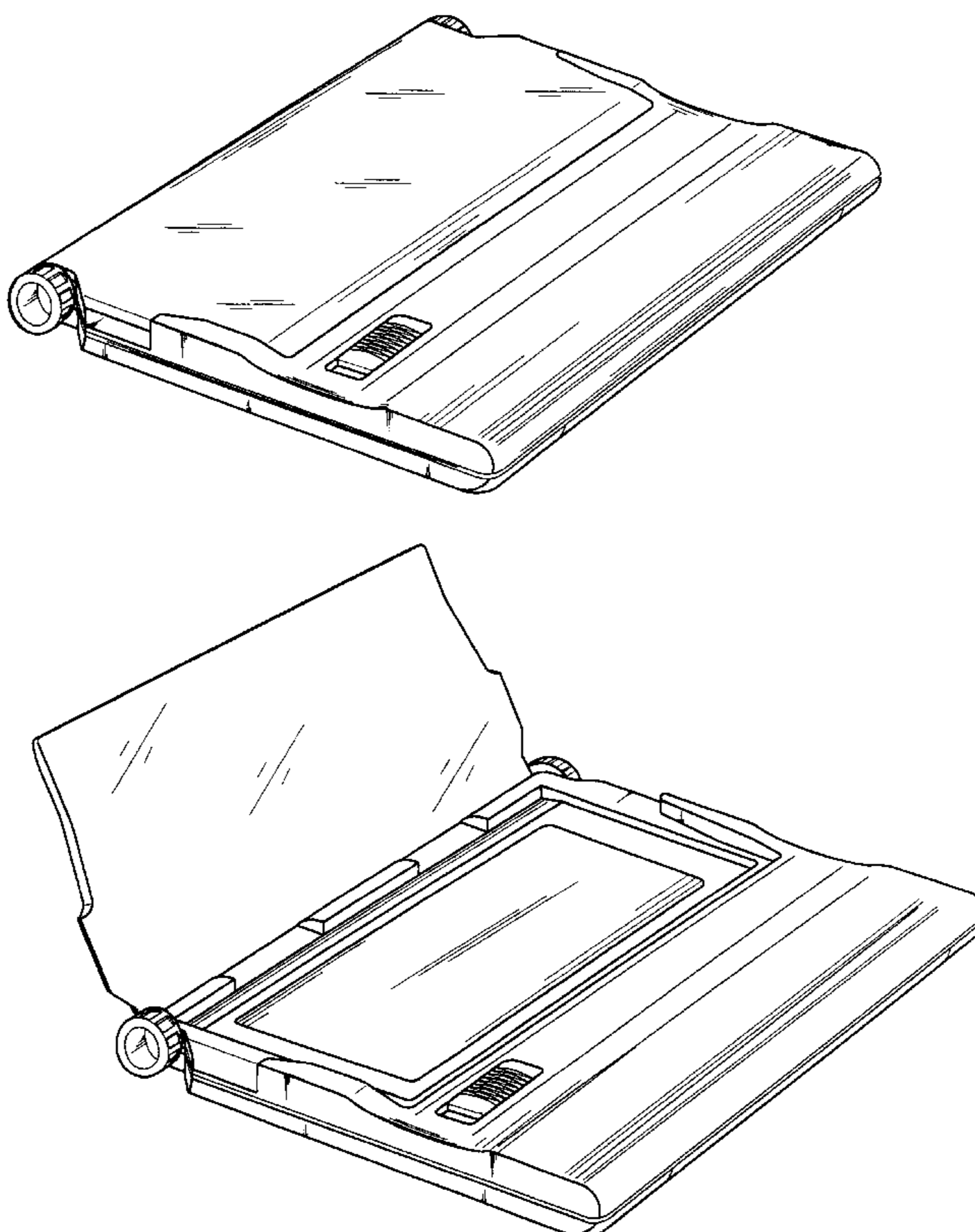


FIG. 1

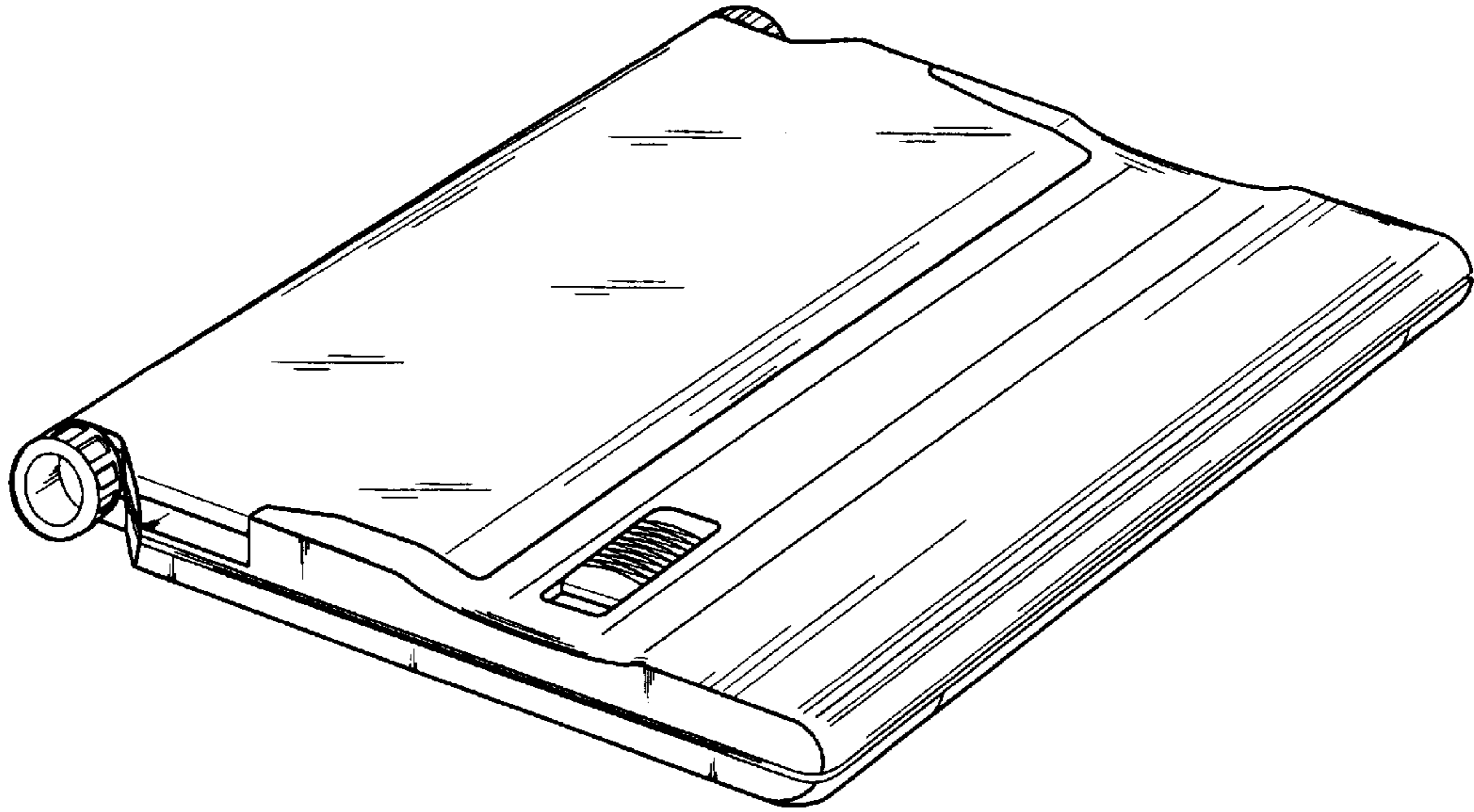


FIG. 2

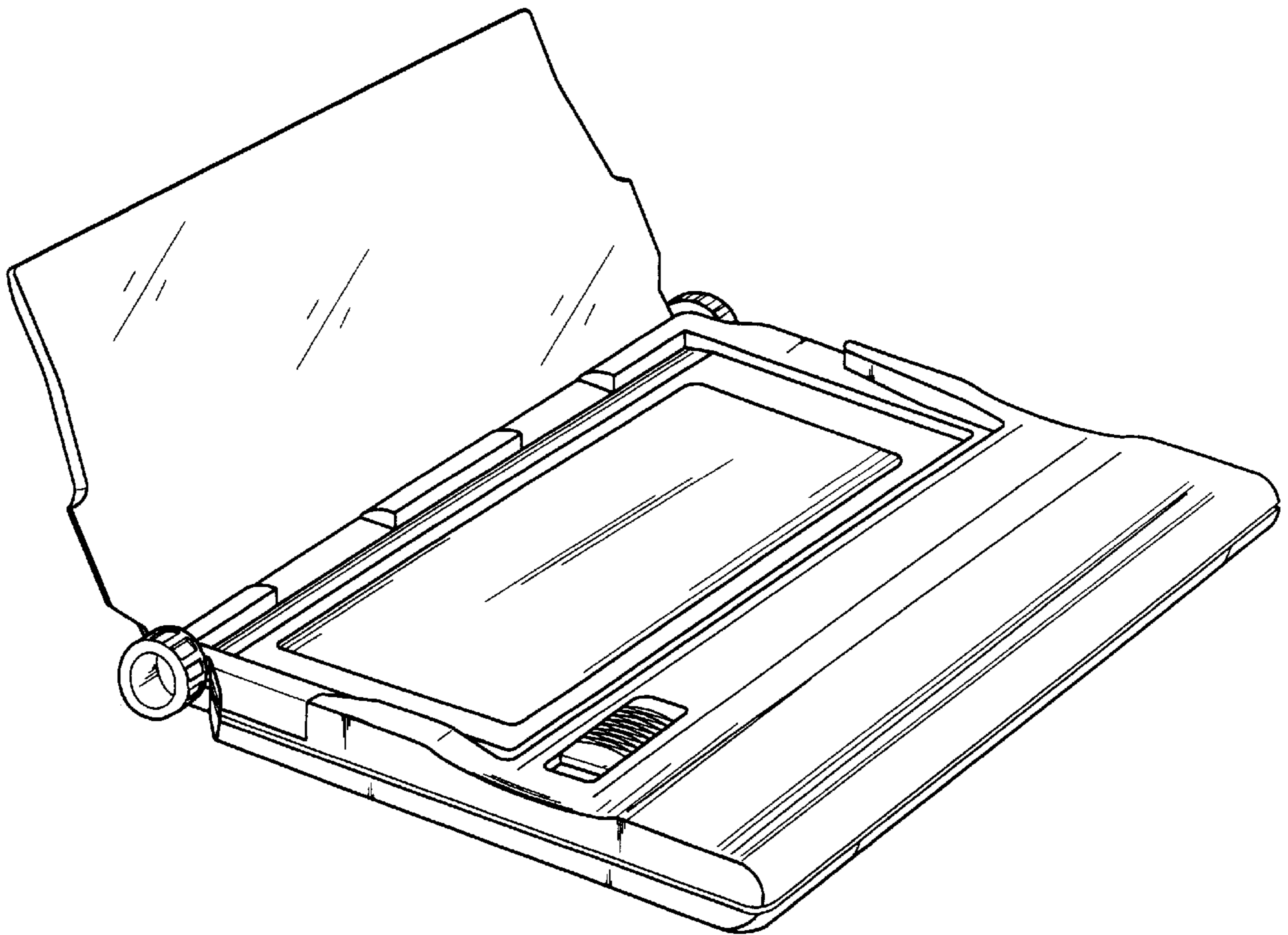


FIG. 3

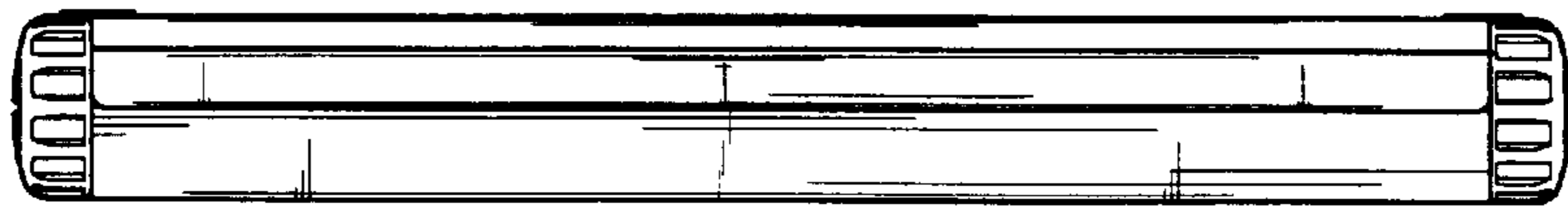


FIG. 4

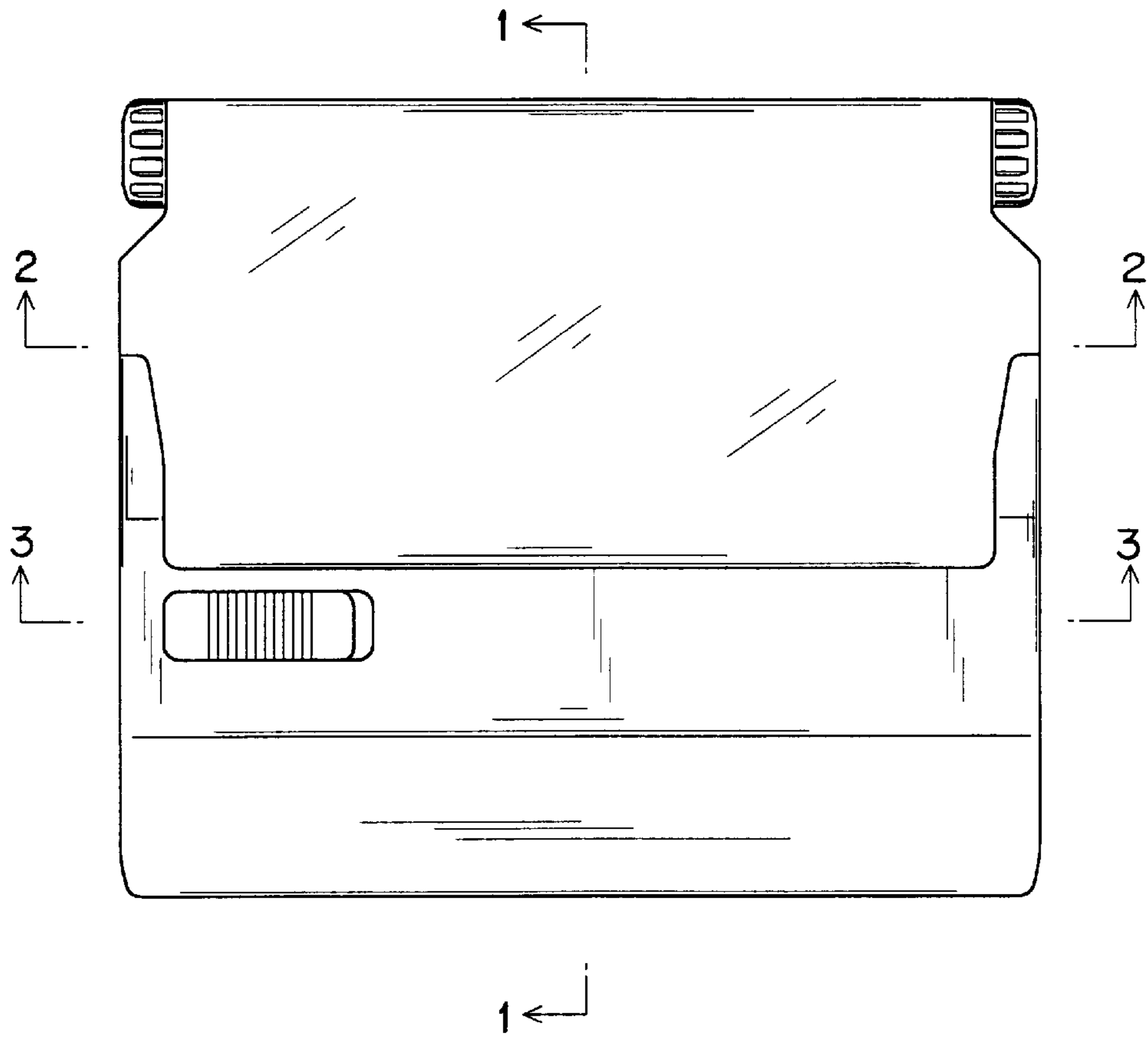


FIG. 5

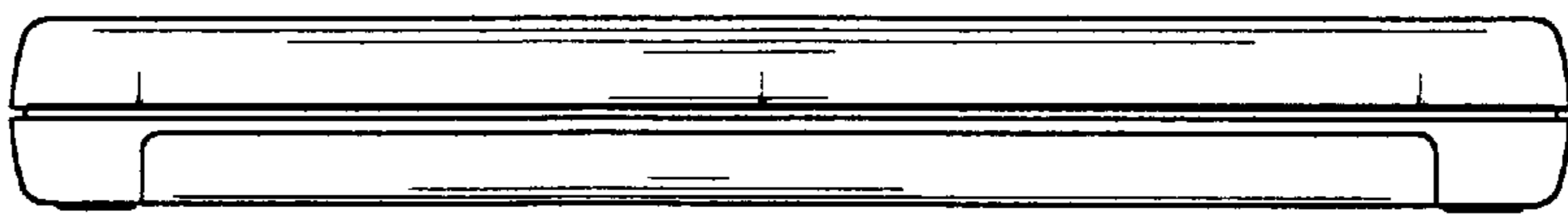


FIG. 6

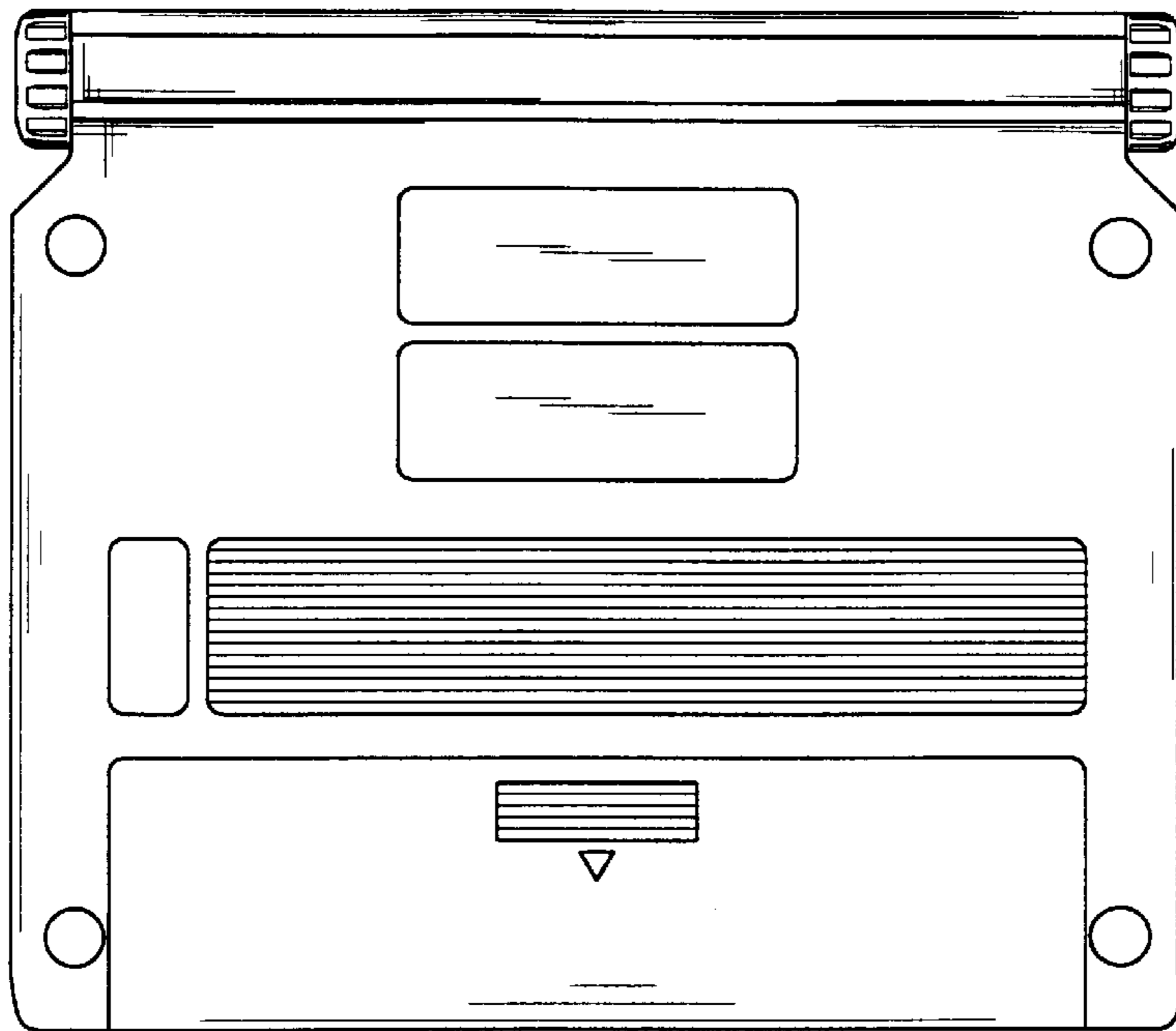


FIG. 7

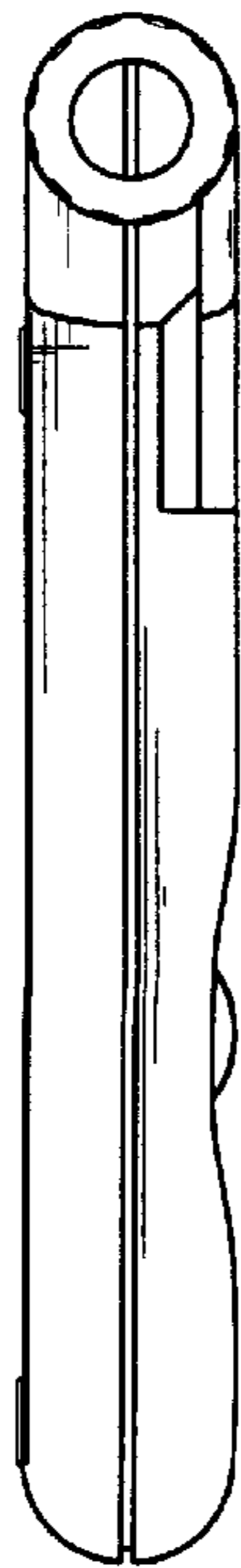


FIG. 8

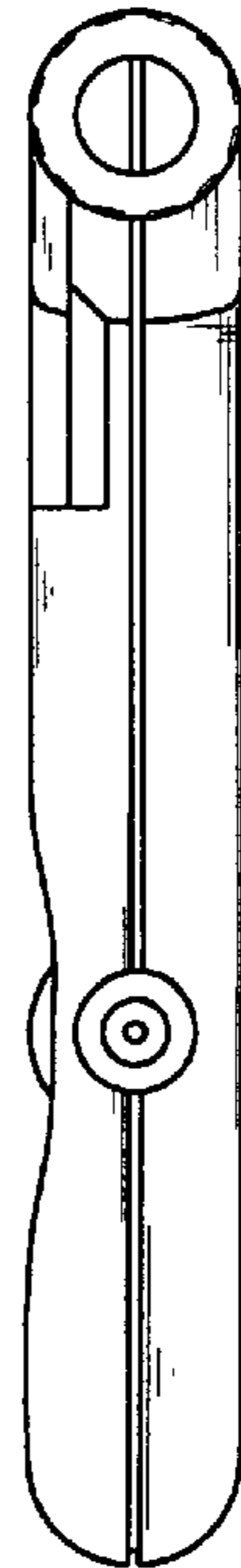


FIG. 9

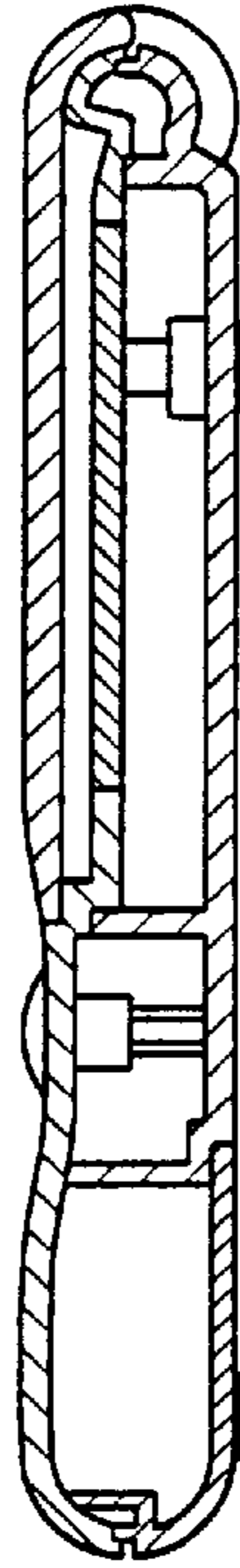


FIG. 10

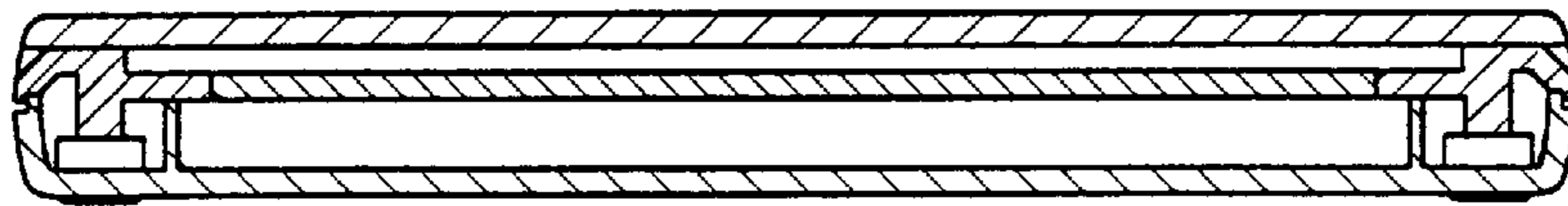


FIG. 11

