



US00D425922S

United States Patent [19] Huckenbeck

[11] Patent Number: **Des. 425,922**

[45] Date of Patent: **** May 30, 2000**

[54] **BINOCULAR**

[75] Inventor: **Claus O. Huckenbeck**, Tehachapi, Calif.

[73] Assignee: **Bushnell Corporation**, Overland Park, Kans.

[**] Term: **14 Years**

[21] Appl. No.: **29/068,400**

[22] Filed: **Apr. 1, 1997**

[51] **LOC (7) Cl.** **16-06**

[52] **U.S. Cl.** **D16/133**

[58] **Field of Search** D16/130, 131, D16/132, 133; D9/539; 359/407, 408, 409, 410-418, 480, 481, 482

[56] **References Cited**

U.S. PATENT DOCUMENTS

D. 105,529	8/1937	Kelly	D9/539
D. 176,370	12/1955	Natale	D16/133 X
D. 375,968	11/1996	Ushiyama	D16/133
4,186,992	2/1980	Kamakura	359/408 X
4,325,602	4/1982	Lange	359/413 X
4,606,618	8/1986	Geller	359/408
4,848,887	7/1989	Addy et al.	359/413
5,231,535	7/1993	Peters et al.	359/416 X

OTHER PUBLICATIONS

P. TM 140 U.S. PTO Official Gazette of Nov. 9, 1976 showing SN 88,384 filed May 25, 1976; Now U.S.Registration No. 1,057,884.

Primary Examiner—Paula A. Mortimer
Attorney, Agent, or Firm—Litman, McMahon and Brown, L.L.C.

[57] **CLAIM**

I claim the ornamental design for a binocular, as shown and described.

DESCRIPTION

FIG. 1 is a perspective view of a binocular showing my new design from the objective lens end;
FIG. 2 is a perspective view of a binocular showing my new design from the eyepiece end;
FIG. 3 is a side elevational view thereof;
FIG. 4 is a top plan view thereof;
FIG. 5 is an elevational end view thereof taken from the objective lens end;
FIG. 6 is a side elevational view thereof from the side opposite that of FIG. 3;
FIG. 7 is a front elevational view thereof taken from the eyepiece end; and,
FIG. 8 is a bottom plan view thereof.

1 Claim, 3 Drawing Sheets

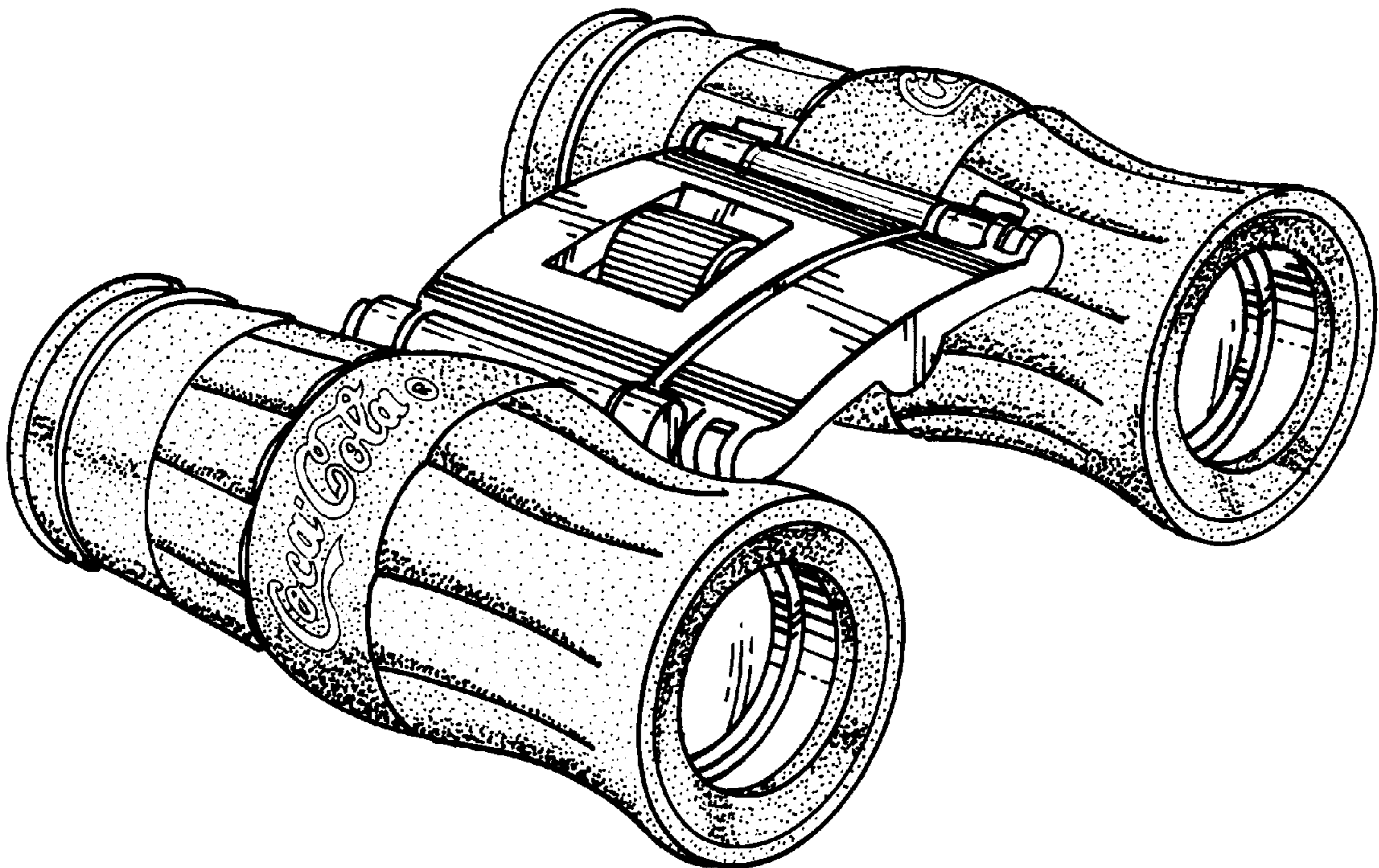


Fig. 1.

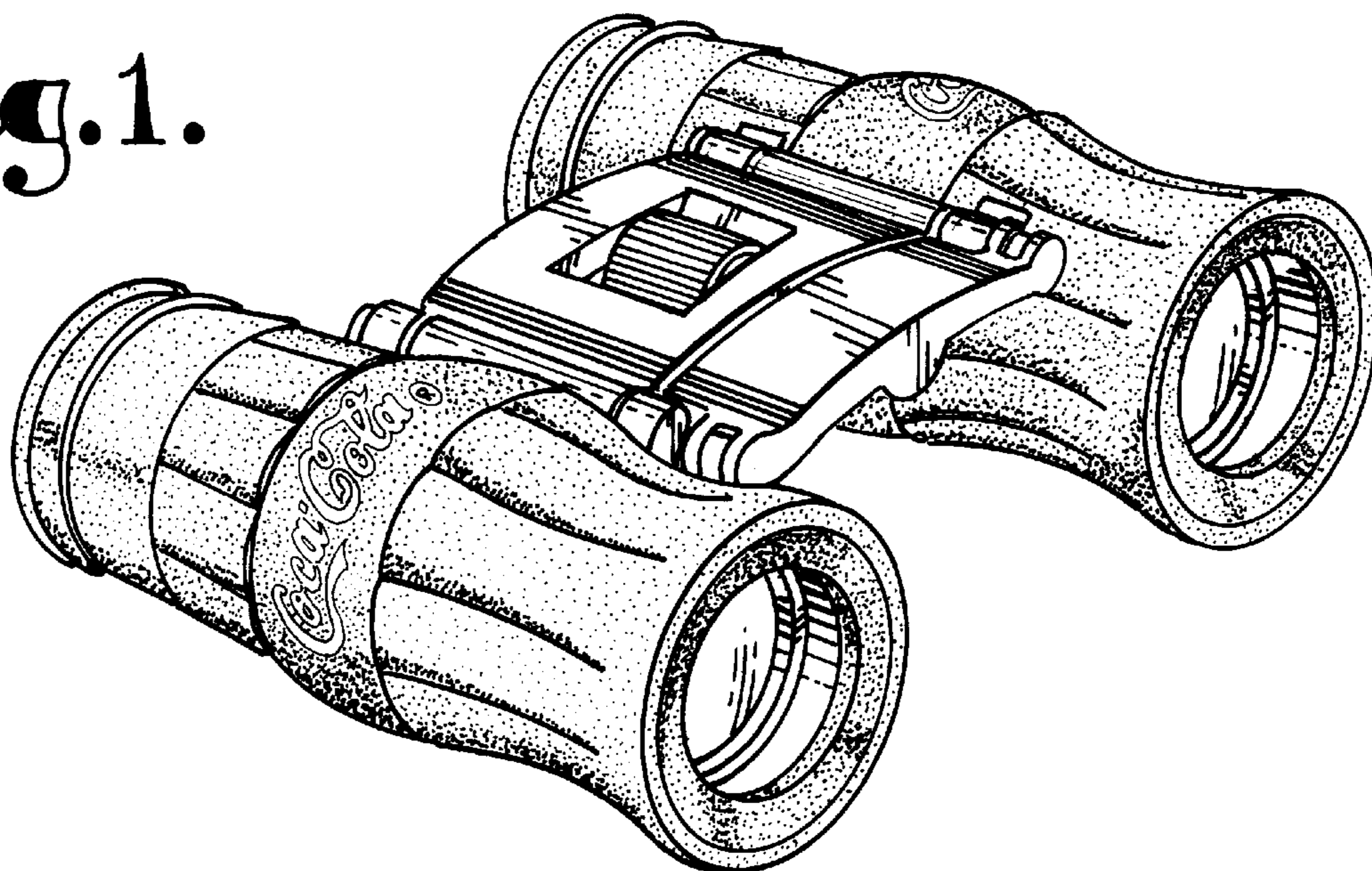


Fig. 2.

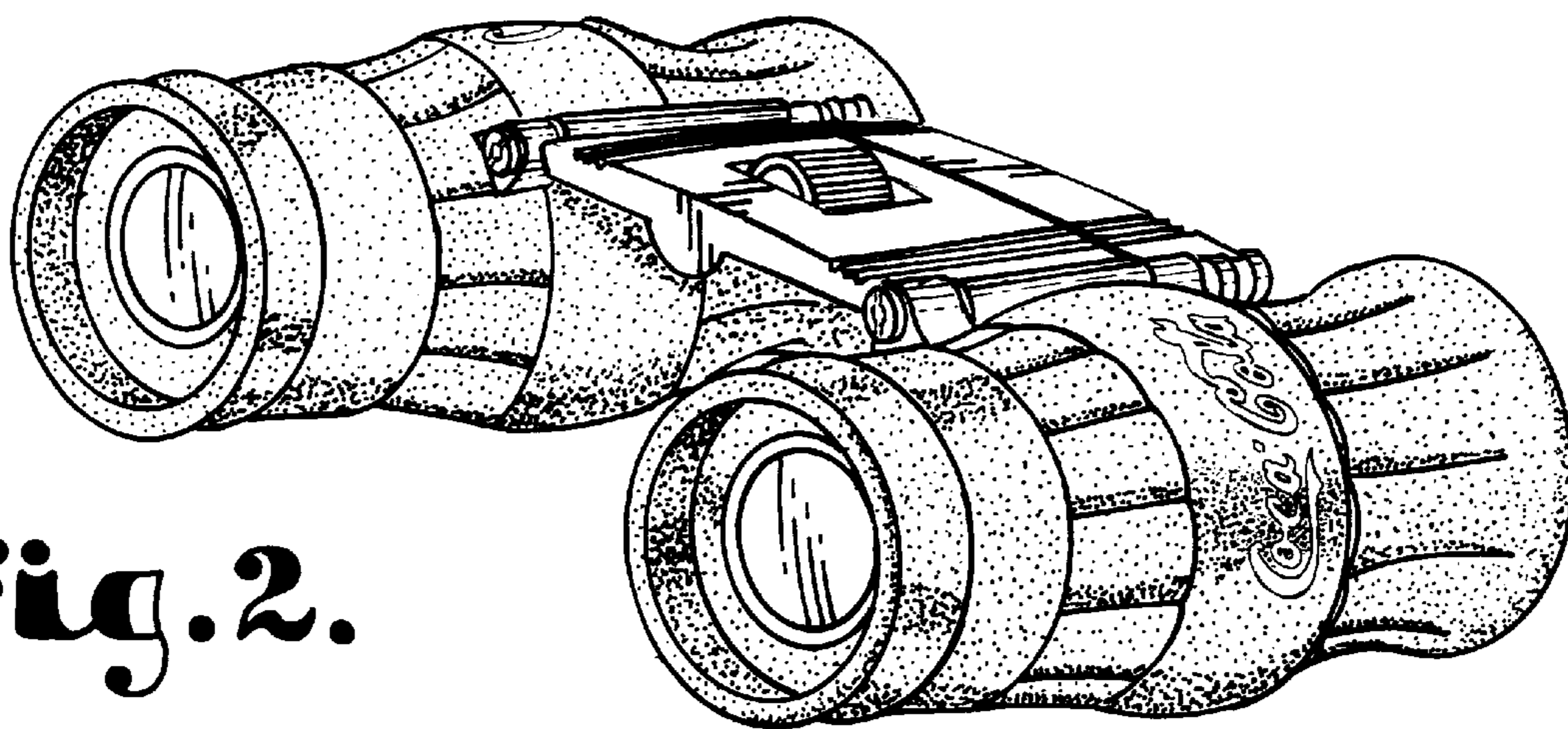


Fig. 3.

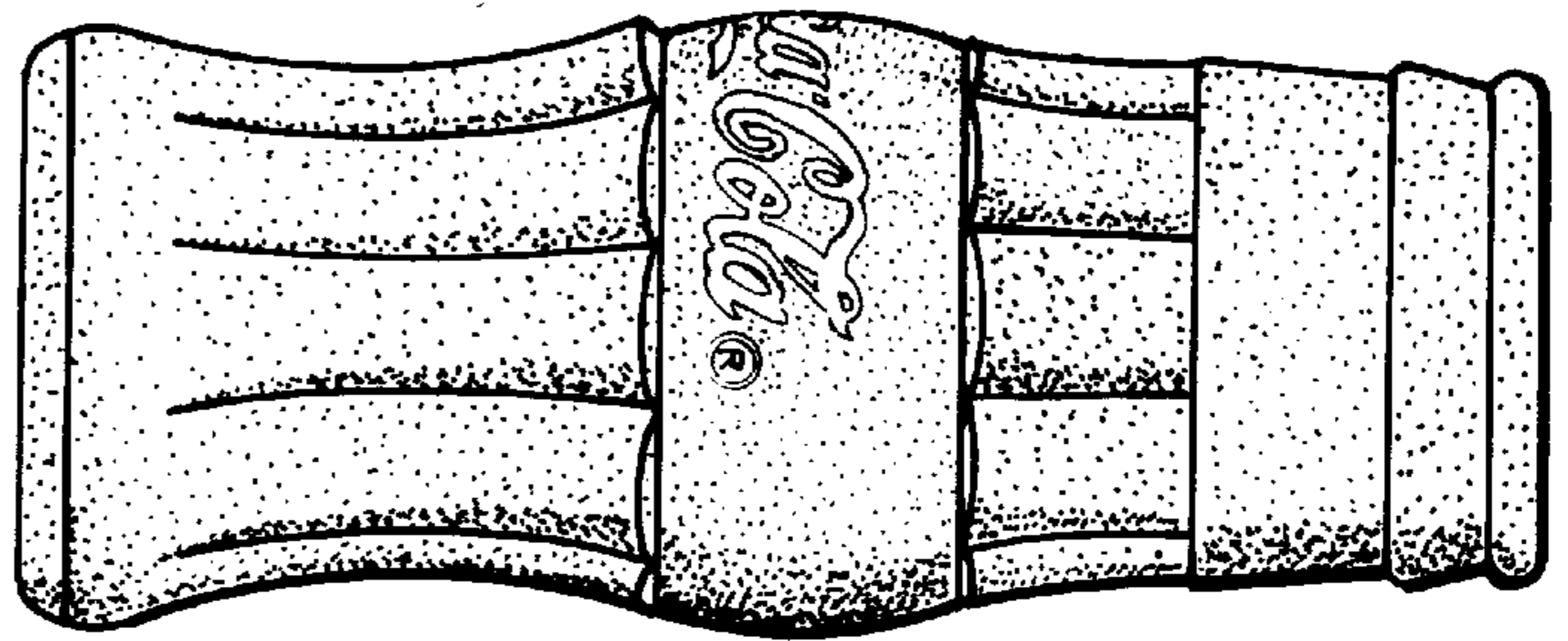


Fig. 4.

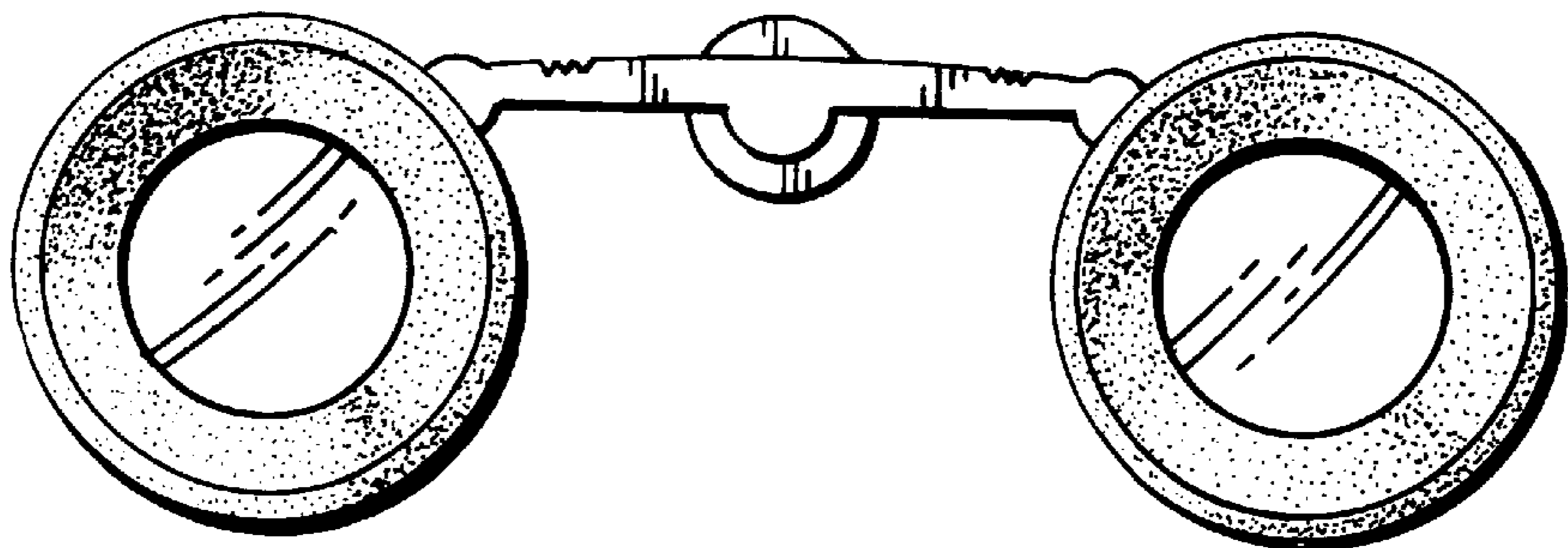
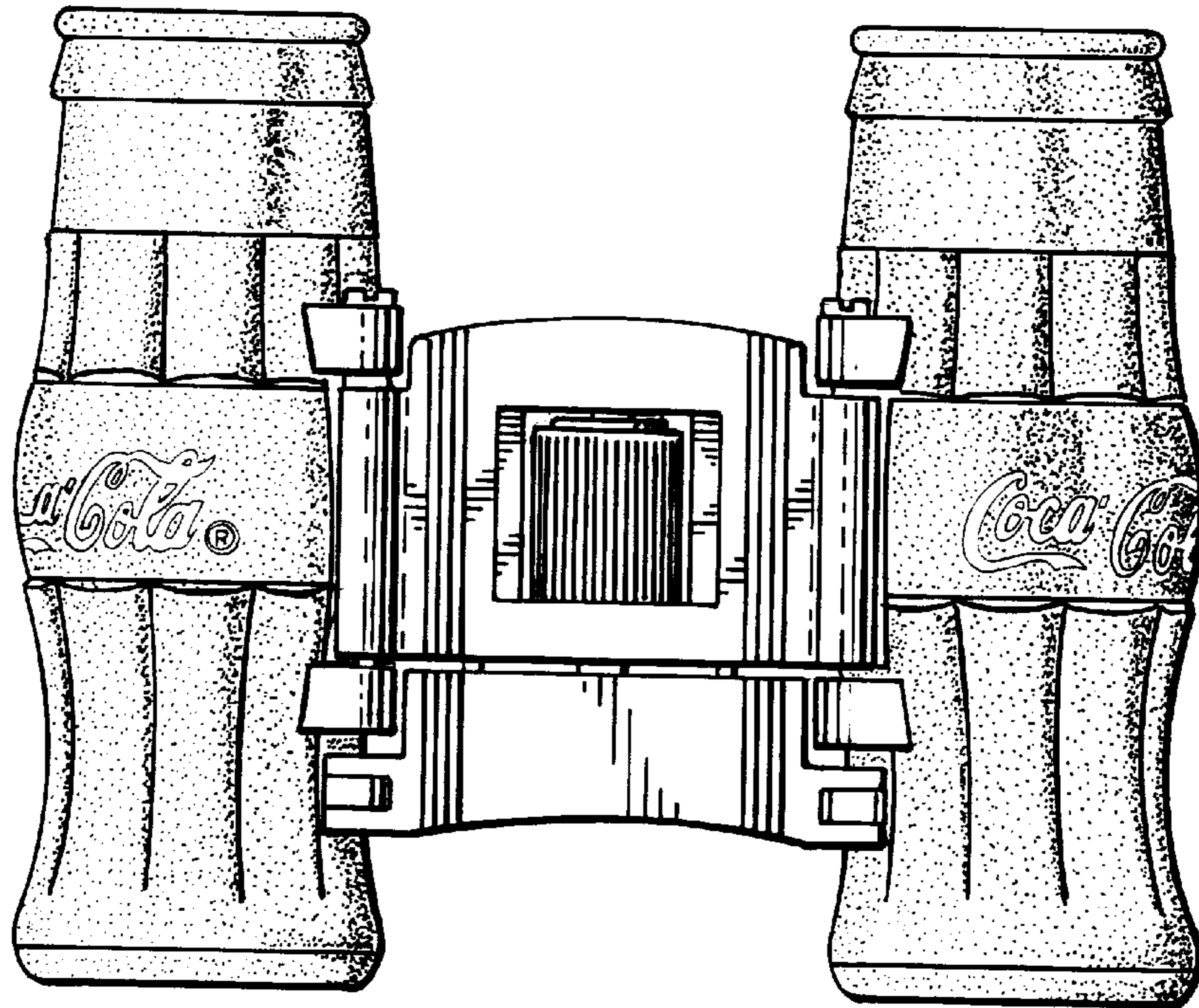


Fig. 5.

Fig. 6.

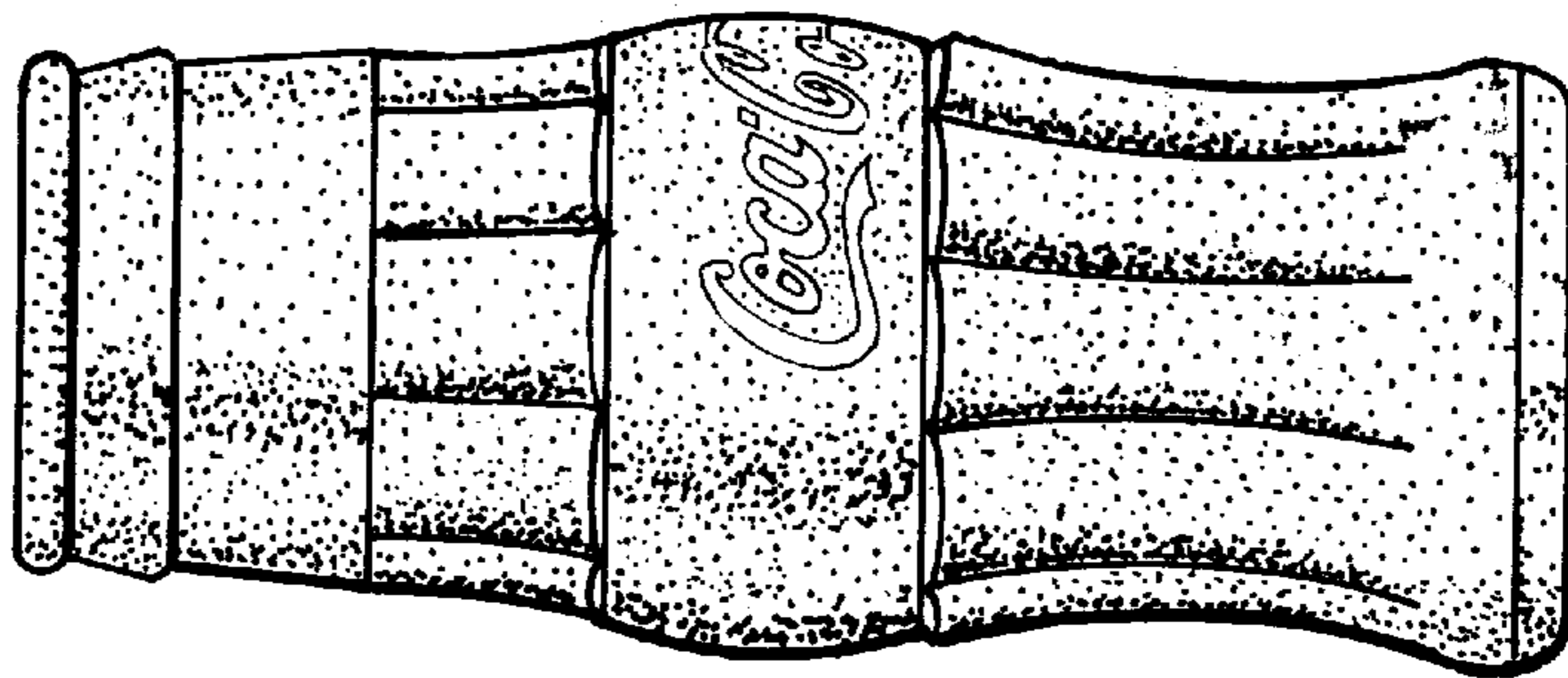


Fig. 7.

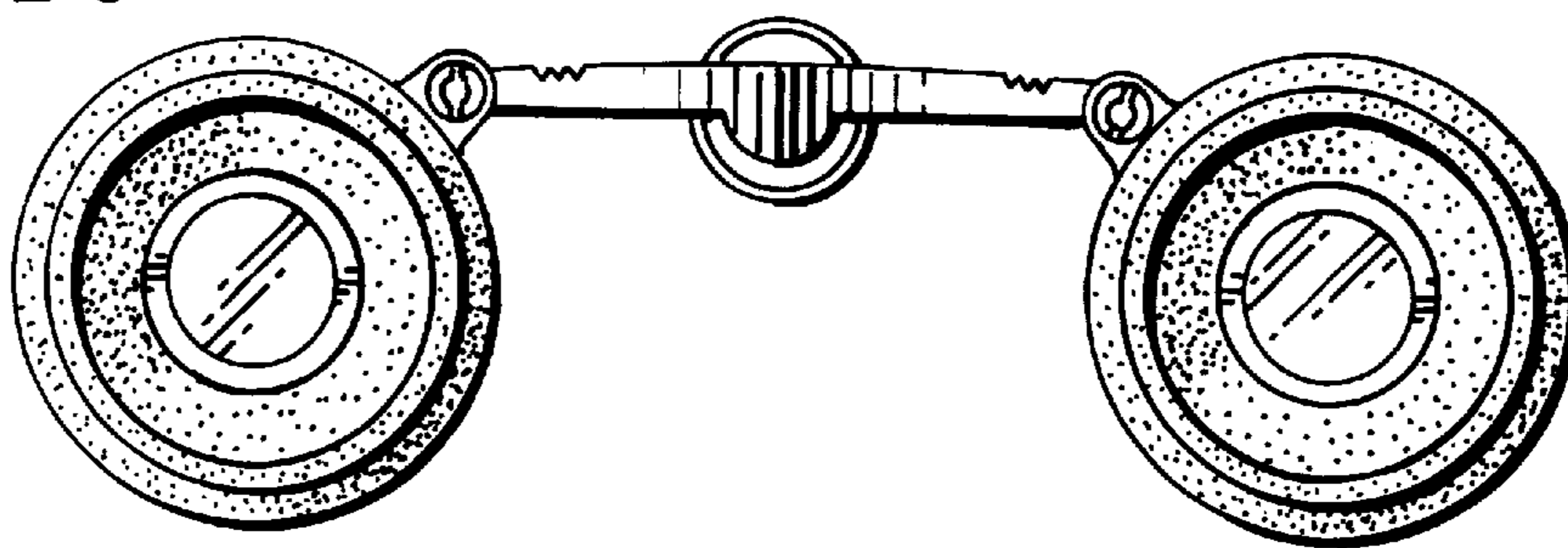


Fig. 8.

