



US00D425921S

United States Patent [19]

Hölbl et al.

[11] Patent Number: **Des. 425,921**

[45] Date of Patent: **** May 30, 2000**

[54] **MICROSCOPE STAND**

[75] Inventors: **Werner Hölbl**, Vienna, Austria; **Scott W. Parks**, Clarence, N.Y.

[73] Assignee: **Leica Microsystems Inc.**, Depew, N.Y.

[**] Term: **14 Years**

[21] Appl. No.: **29/107,199**

[22] Filed: **Jun. 29, 1999**

[51] **LOC (7) Cl.** **16-06**

[52] **U.S. Cl.** **D16/131**

[58] **Field of Search** D16/130, 131,
D16/134; 359/375, 376, 381, 382, 383,
385

[56] **References Cited**

U.S. PATENT DOCUMENTS

- D. 260,402 8/1981 Hodgson D16/131
- D. 291,702 9/1987 Kahute D16/131
- D. 345,748 4/1994 Holbl D16/131

- D. 389,163 1/1998 Hofmann-Igl D16/131
- D. 400,548 11/1998 Komatsuzaki D16/131

Primary Examiner—Paula A. Mortimer
Attorney, Agent, or Firm—Simpson, Simpson & Snyder

[57] **CLAIM**

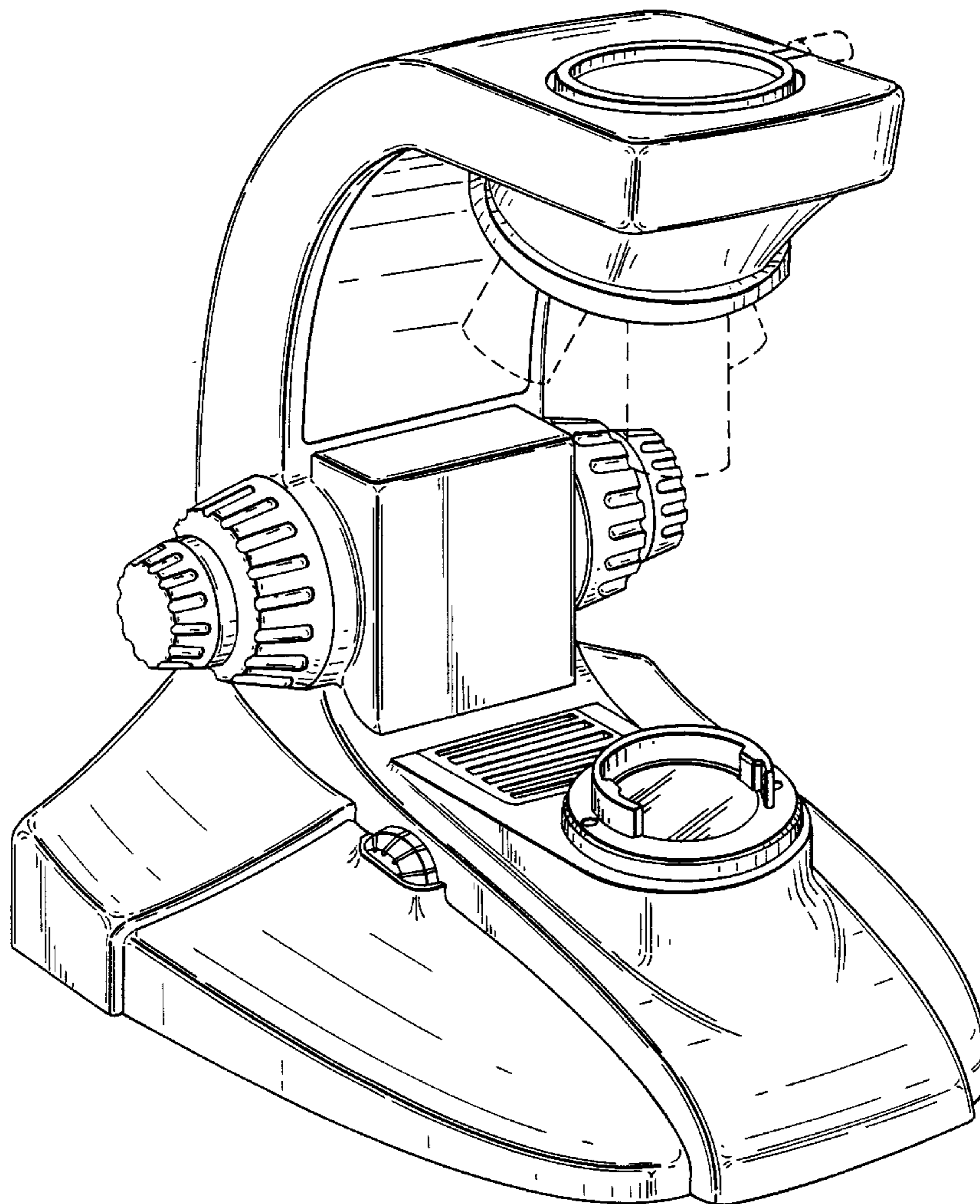
The ornamental design for a microscope stand, as shown and described.

DESCRIPTION

FIG. 1 is a perspective view of a microscope stand showing our new design;
FIG. 2 is a left side elevational view thereof;
FIG. 3 is a right side elevational view thereof;
FIG. 4 is a front elevational view thereof;
FIG. 5 is a rear elevational view thereof;
FIG. 6 is a bottom plan view thereof; and,
FIG. 7 is a top plan view thereof.

The broken lines in FIGS. 1, 2, 3, 4, 5, and 7 is for illustrative purposes only and forms no part of the claimed design.

1 Claim, 5 Drawing Sheets



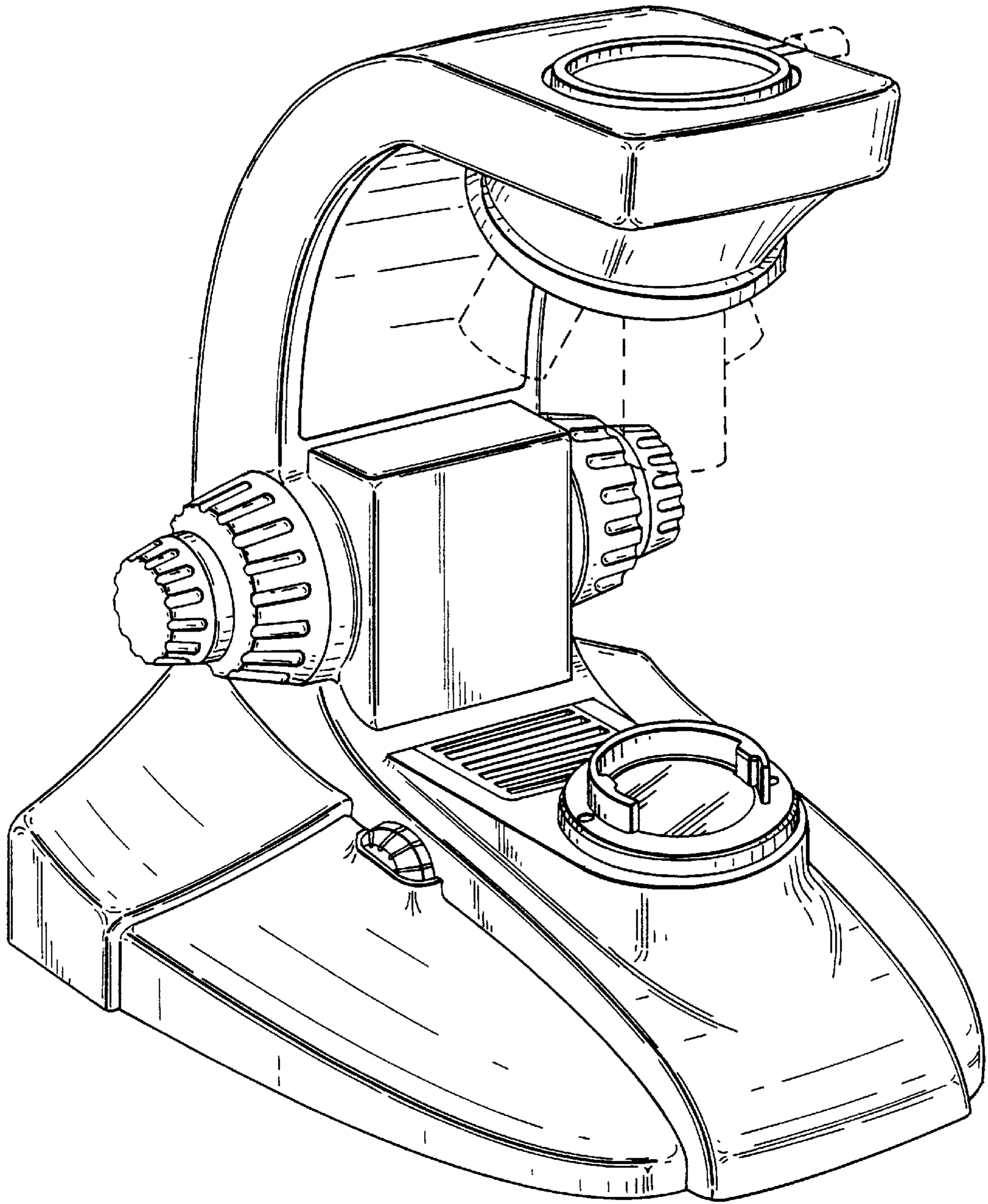


FIG. 1

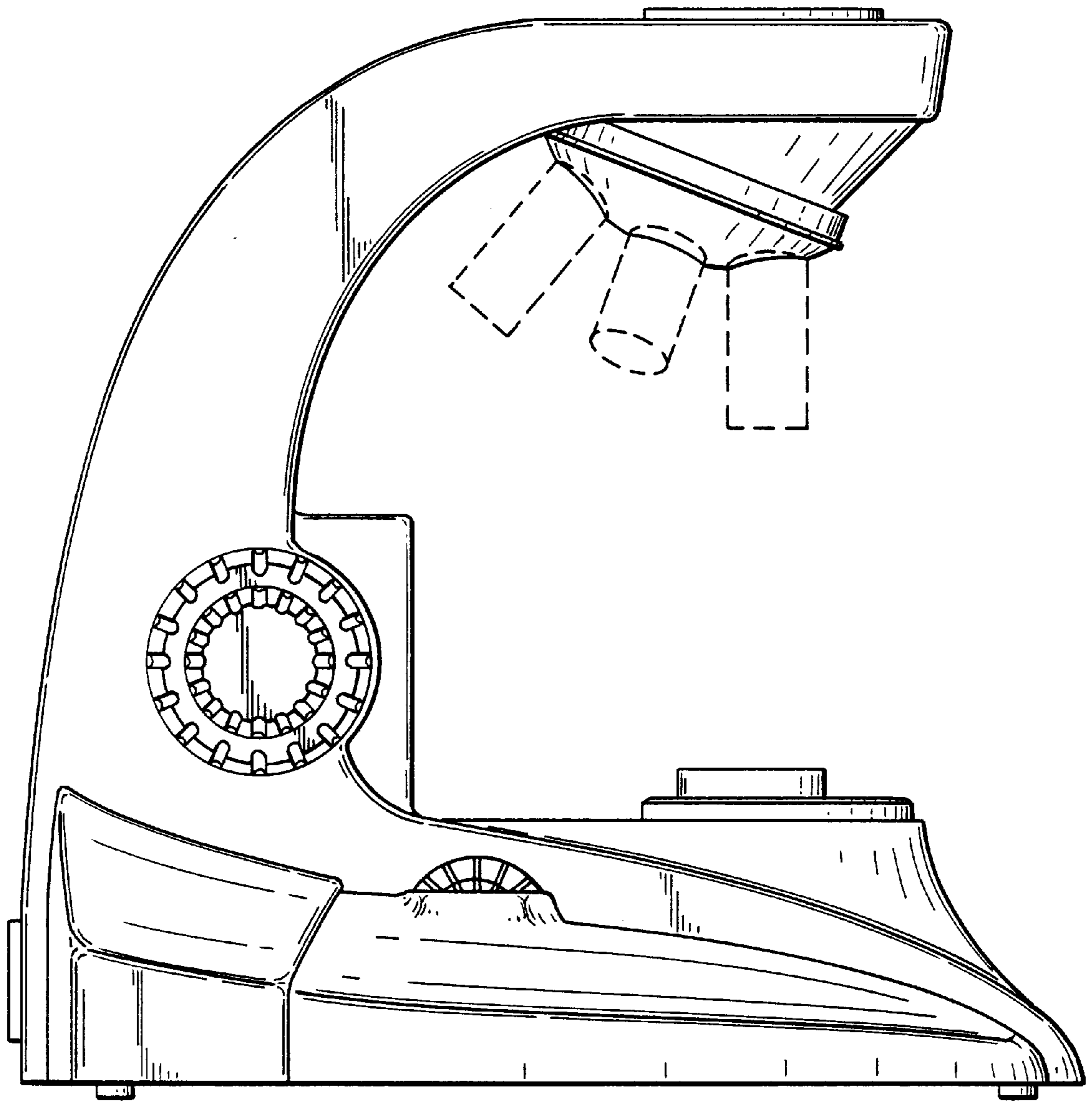


FIG. 2

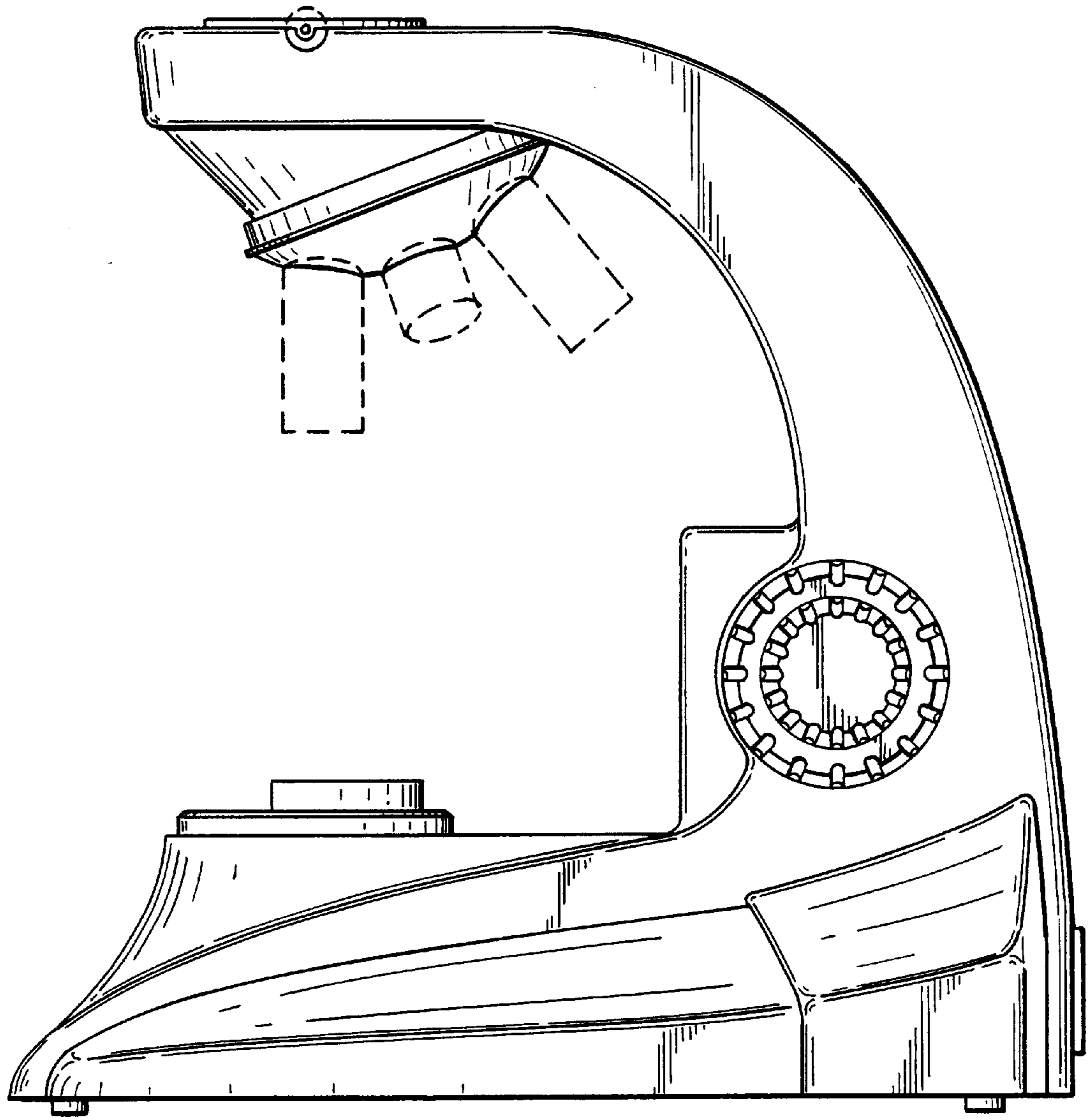


FIG. 3

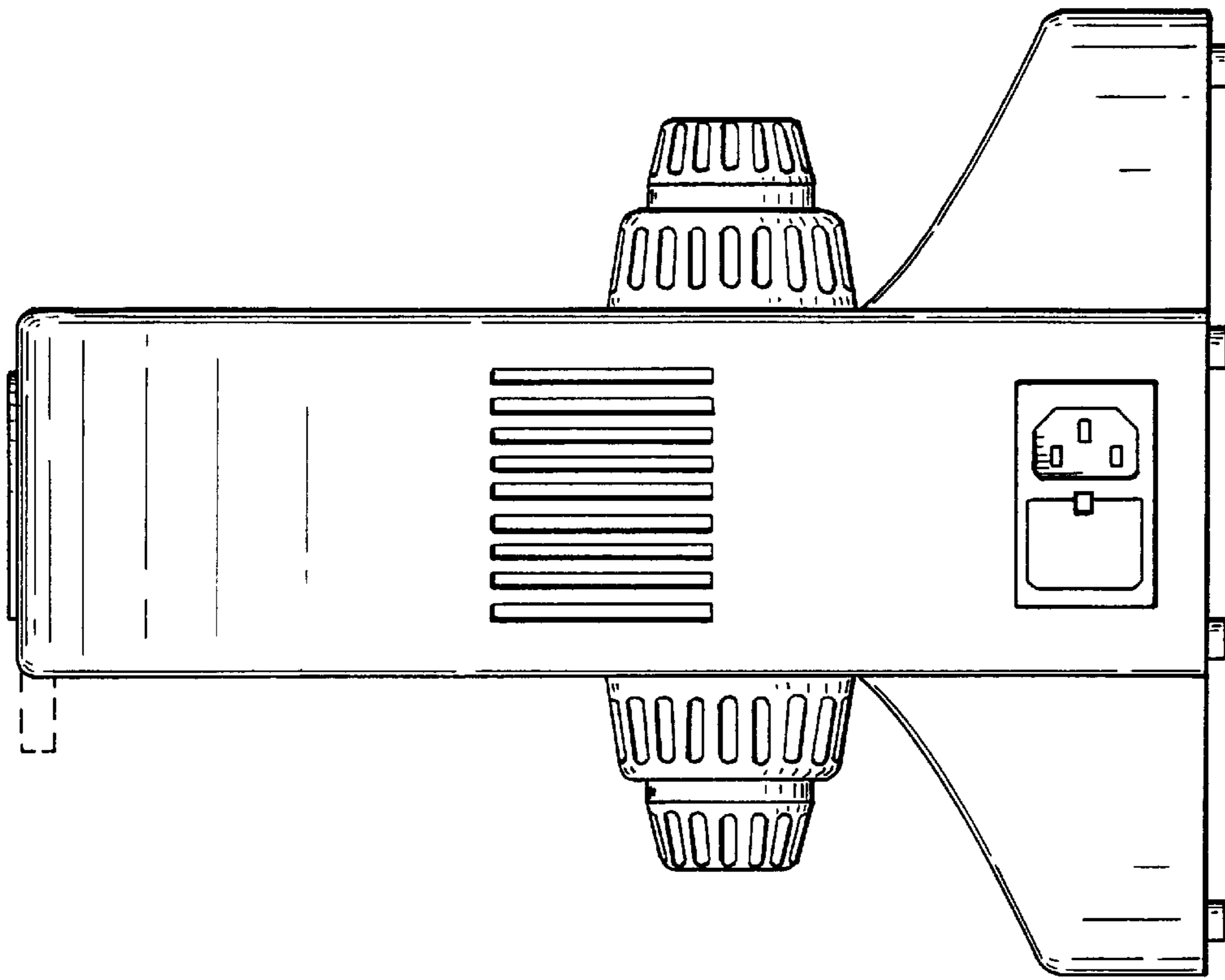


FIG. 5

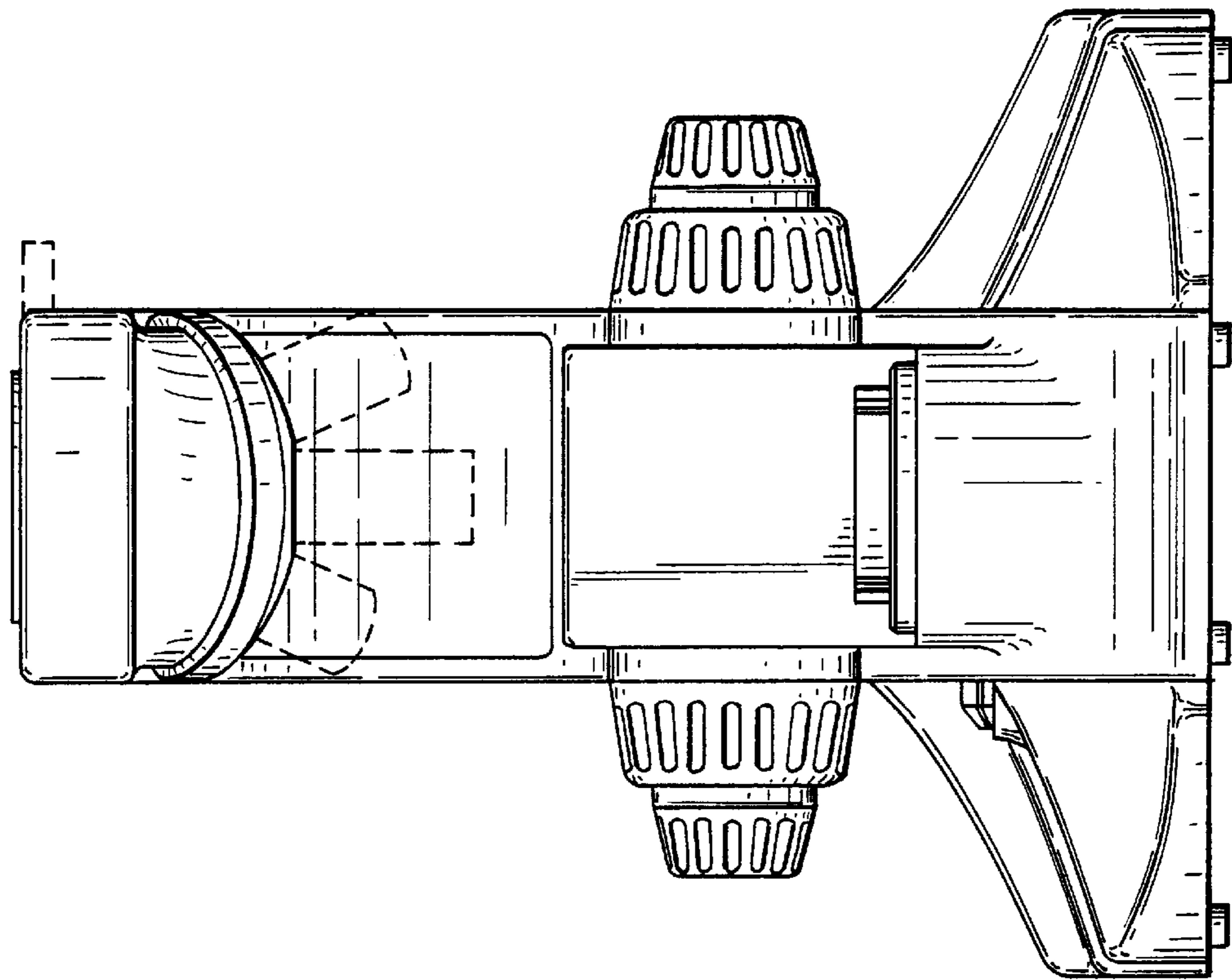


FIG. 4

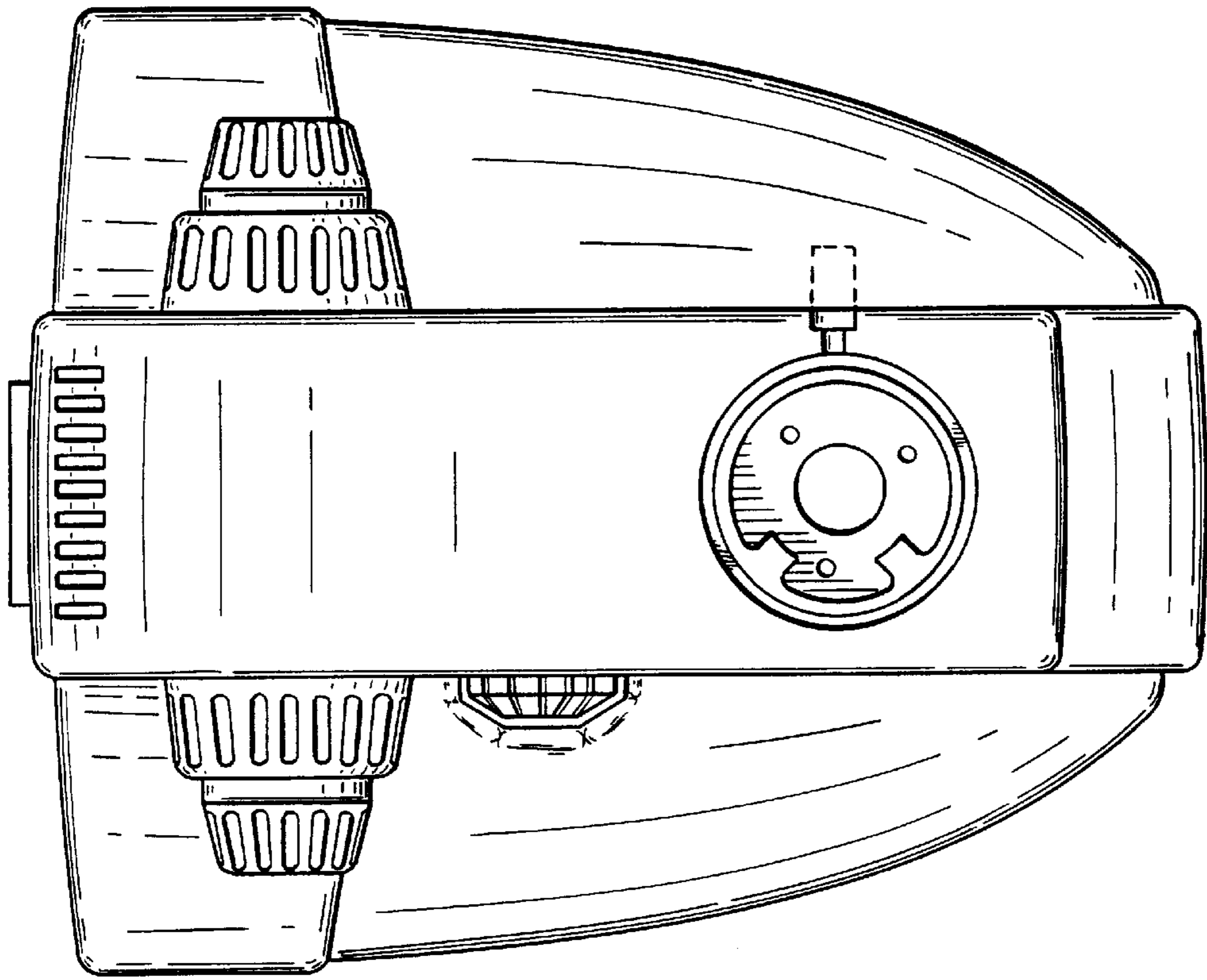


FIG. 7

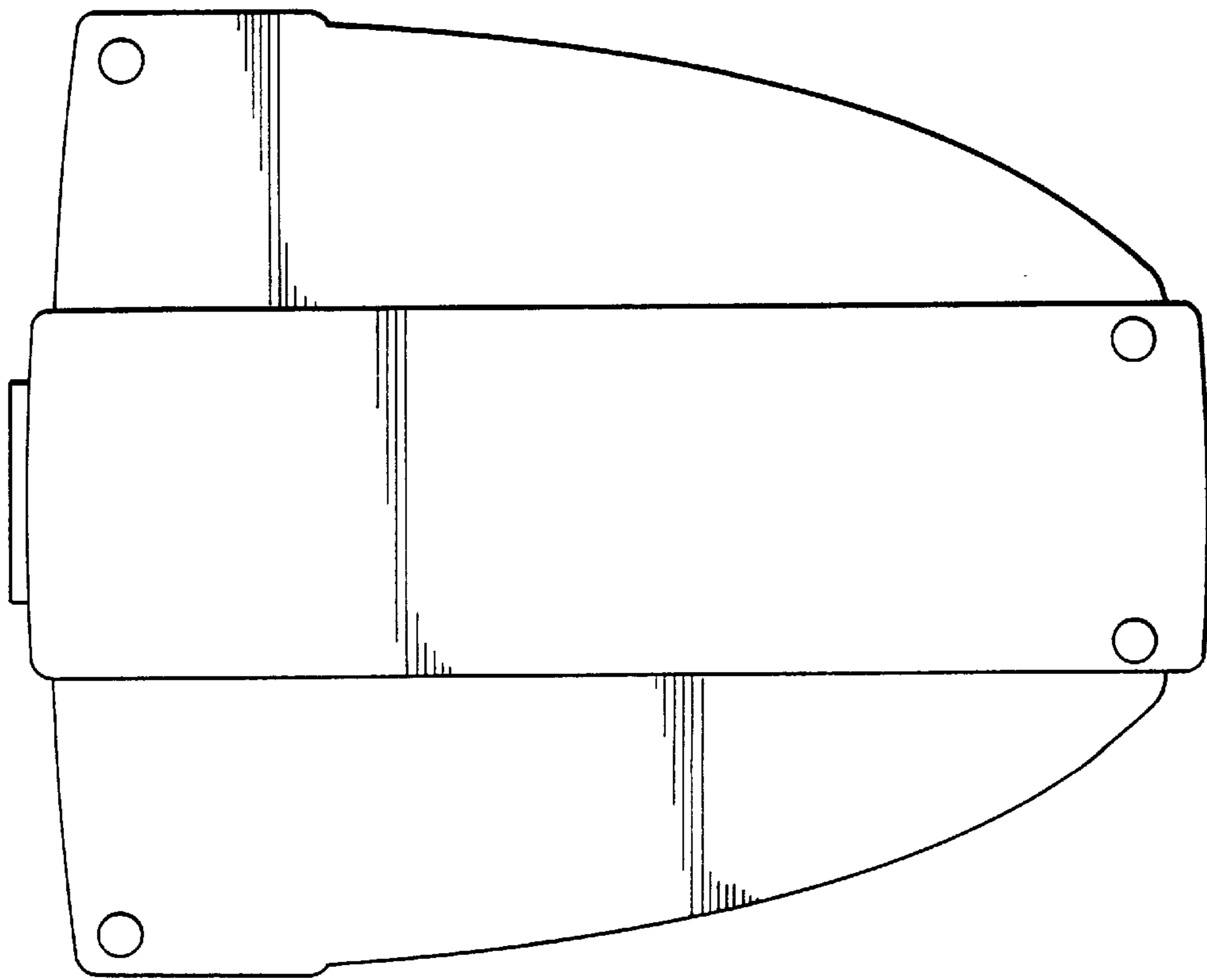


FIG. 6