



US00D425918S

United States Patent [19]
Ceroll et al.

[11] **Patent Number: Des. 425,918**
[45] **Date of Patent: ** May 30, 2000**

[54] **THROAT PLATE FOR A TABLE SAW**
[75] Inventors: **Warren A. Ceroll**, Owings Mills;
Robert S. Gehret, Hampstead; **Daniel Puzio**, Baltimore; **Frederick R. Bean**, Finksburg; **Michael L. O'Banion**, Westminster, all of Md.; **David A. Porter**, Hanover, Pa.; **Daniel A. Ferrara, Jr.**, Bantam, Conn.
[73] Assignee: **Black & Decker Inc.**, Newark, Del.
[**] Term: **14 Years**

[51] **LOC (7) Cl.** **15-09**
[52] **U.S. Cl.** **D15/133**
[58] **Field of Search** D15/133, 134;
83/432, 435, 468.7, 468.3, 477, 477.2,
478, 522.3, 522.1; 269/318, 165, 180

[56] **References Cited**
U.S. PATENT DOCUMENTS
5,159,864 11/1992 Wedemeyer et al. 83/477.2 X
5,207,007 5/1993 Cucinotta et al. 83/522.16 X
5,857,507 1/1999 Puzio et al. 83/477.2 X
5,875,698 3/1999 Ceroll et al. 83/473
5,901,631 5/1999 Minarovic 83/477.2 X

Primary Examiner—Antoine Duval Davis
Attorney, Agent, or Firm—Adan Ayala

[21] Appl. No.: **29/105,292**
[22] Filed: **May 21, 1999**

[57] **CLAIM**

The ornamental design for a throat plate for a table saw, as shown and described.

Related U.S. Application Data

DESCRIPTION

[63] Continuation of application No. 29/096,838, Nov. 20, 1998, which is a continuation of application No. 29/090,751, Jul. 15, 1998, Pat. No. Des. 407,725, which is a continuation of application No. 29/083,053, Jan. 20, 1998, Pat. No. Des. 410,474, which is a continuation of application No. 29/070,477, May 8, 1997, Pat. No. Des. 395,322, which is a continuation of application No. 29/057,853, Aug. 1, 1996, Pat. No. Des. 394,071, which is a continuation of application No. 29/051,851, Mar. 1, 1996, abandoned.

FIG. 1 is a top plan view of an embodiment of a throat plate for a table saw showing our new design. In the above drawing, any broken line illustration is not part of the design sought to be patented.

1 Claim, 1 Drawing Sheet

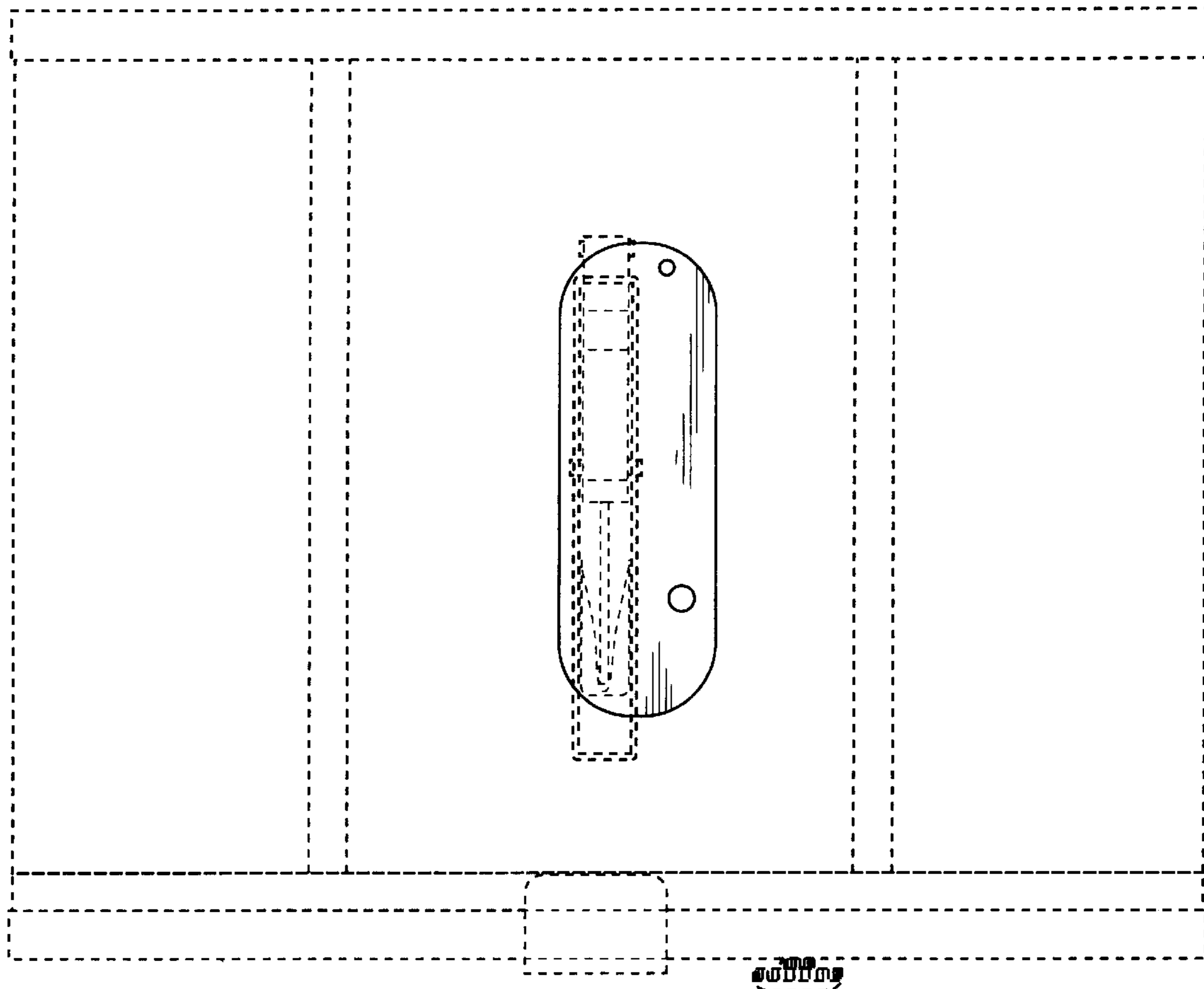


FIG. 1

