



US00D425916S

# United States Patent [19] Cheng

[11] **Patent Number: Des. 425,916**

[45] **Date of Patent: \*\* May 30, 2000**

[54] **LATHE**

D. 401,247 11/1998 Wang ..... D15/130

[76] Inventor: **Ching Fa Cheng**, P.O. Box 63-99,  
Taichung, Taiwan, 406

*Primary Examiner*—Antoine Duval Davis

[\*\*] Term: **14 Years**

[57] **CLAIM**

The ornamental design for a lathe, as shown and described.

[21] Appl. No.: **29/108,599**

**DESCRIPTION**

[22] Filed: **Aug. 2, 1999**

FIG. 1 is a perspective view of a lathe showing my new design;

[51] **LOC (7) Cl.** ..... **15-09**

FIG. 2 is a front elevational view thereof;

[52] **U.S. Cl.** ..... **D15/130**

FIG. 3 is a rear elevational view thereof;

[58] **Field of Search** ..... D15/130; 82/112,  
82/121, 128, 132, 142, 143, 149, 162, 903;  
144/16, 114; 142/7

FIG. 4 is a top plan view thereof;

FIG. 5 is a bottom plan view thereof;

FIG. 6 is a left side elevational view thereof; and,

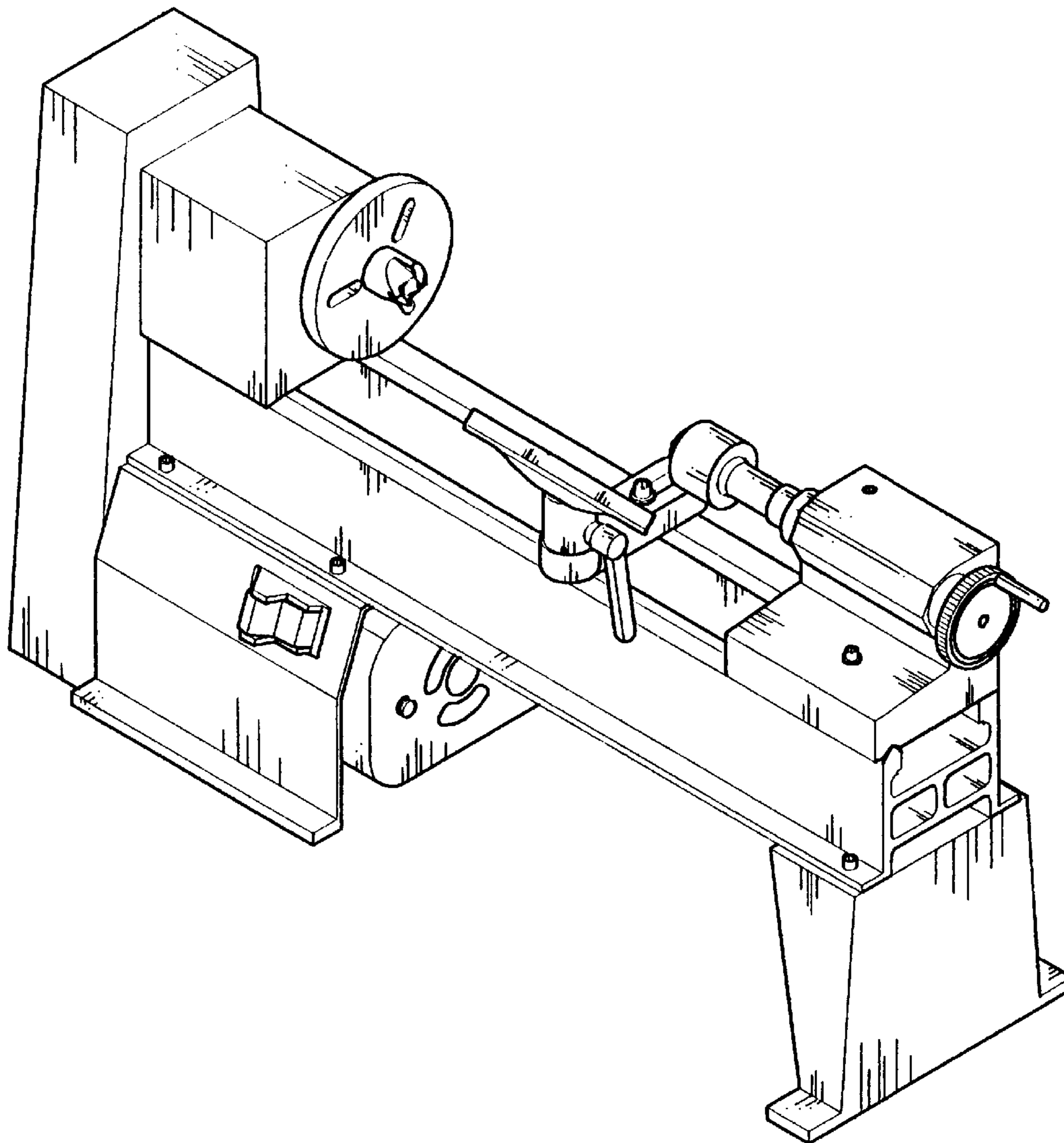
FIG. 7 is a right side elevational view thereof.

[56] **References Cited**

**U.S. PATENT DOCUMENTS**

D. 349,293 8/1994 Rhoton ..... D15/130

**1 Claim, 5 Drawing Sheets**



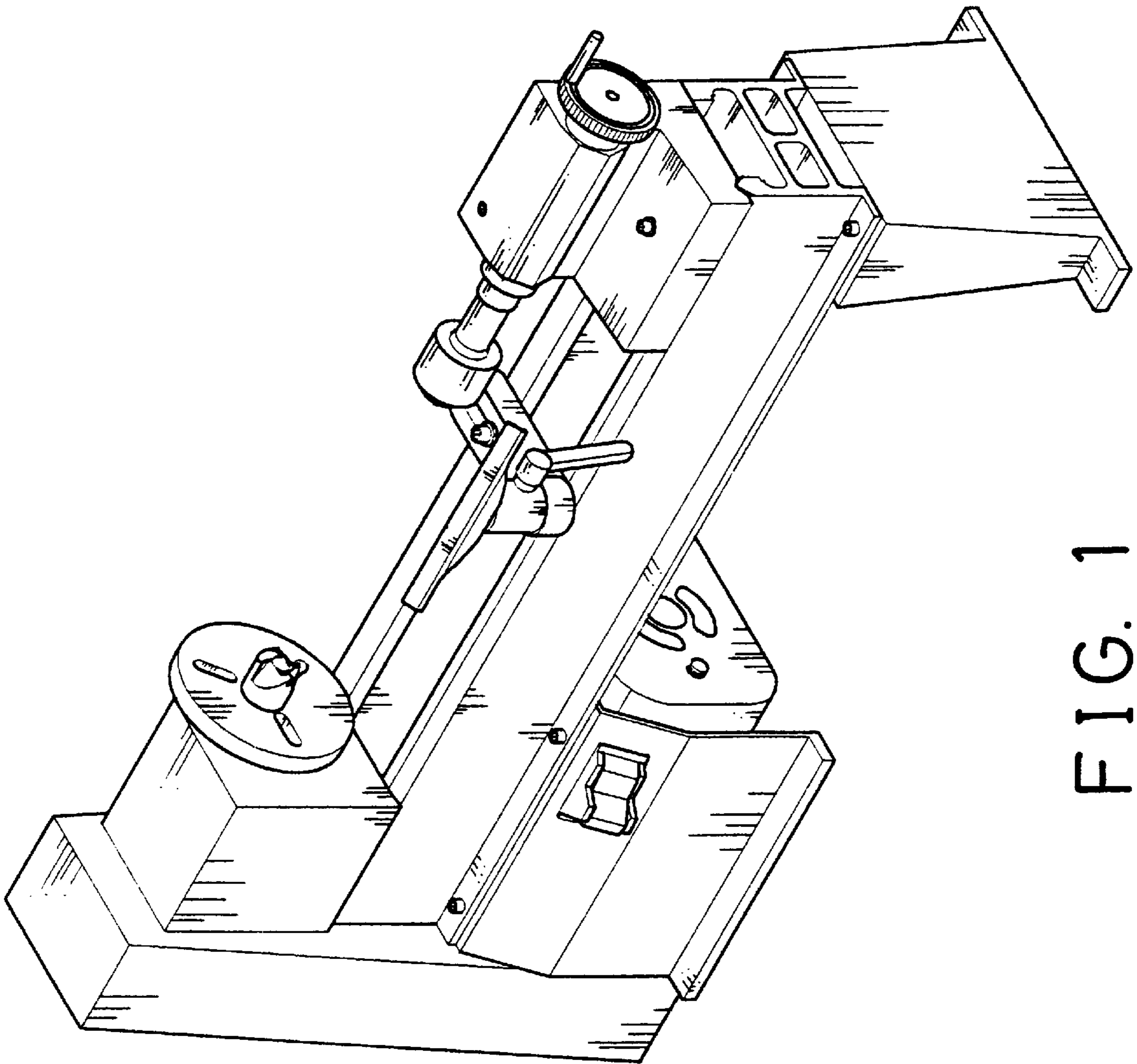


FIG. 1

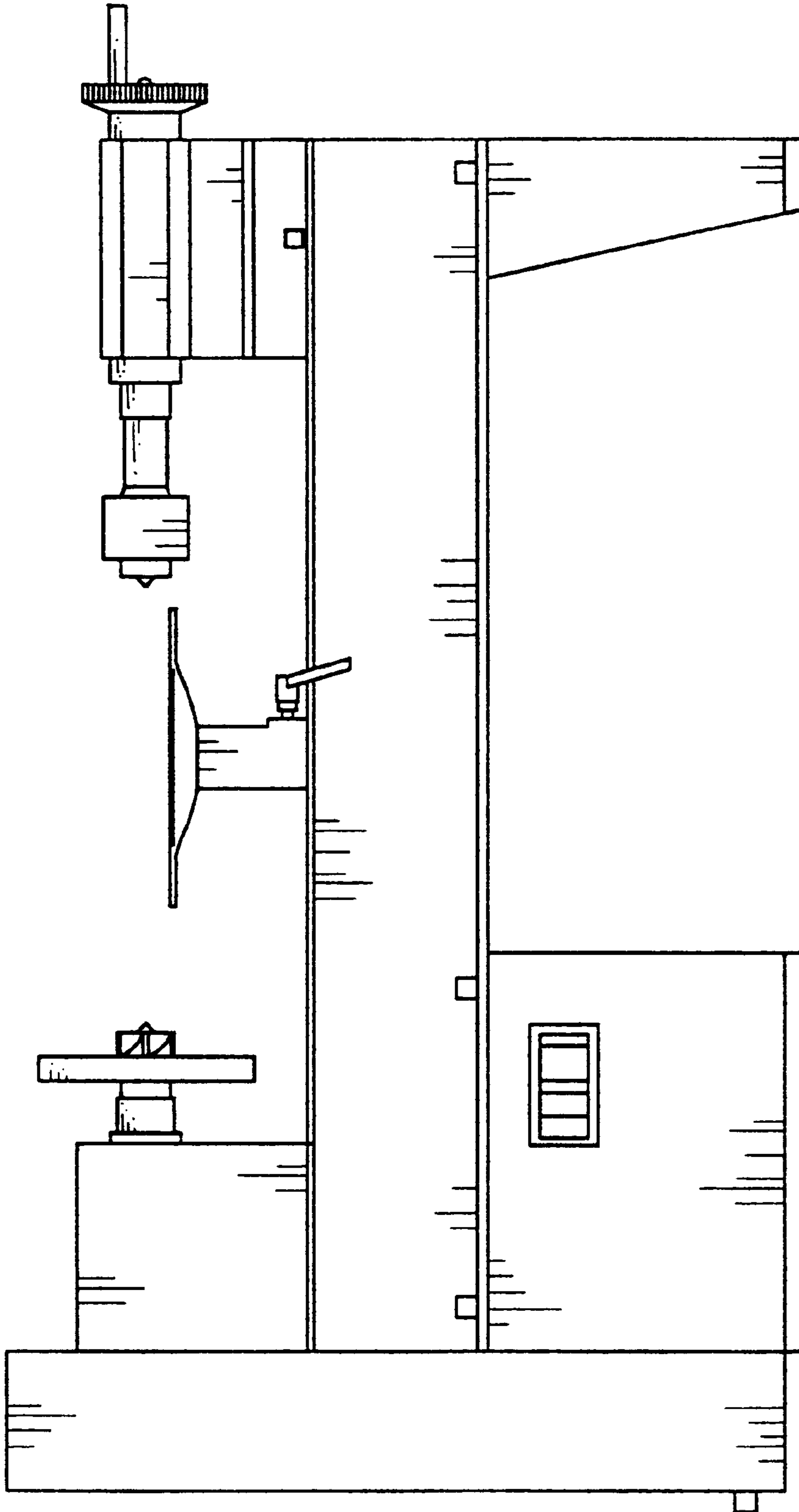


FIG. 2

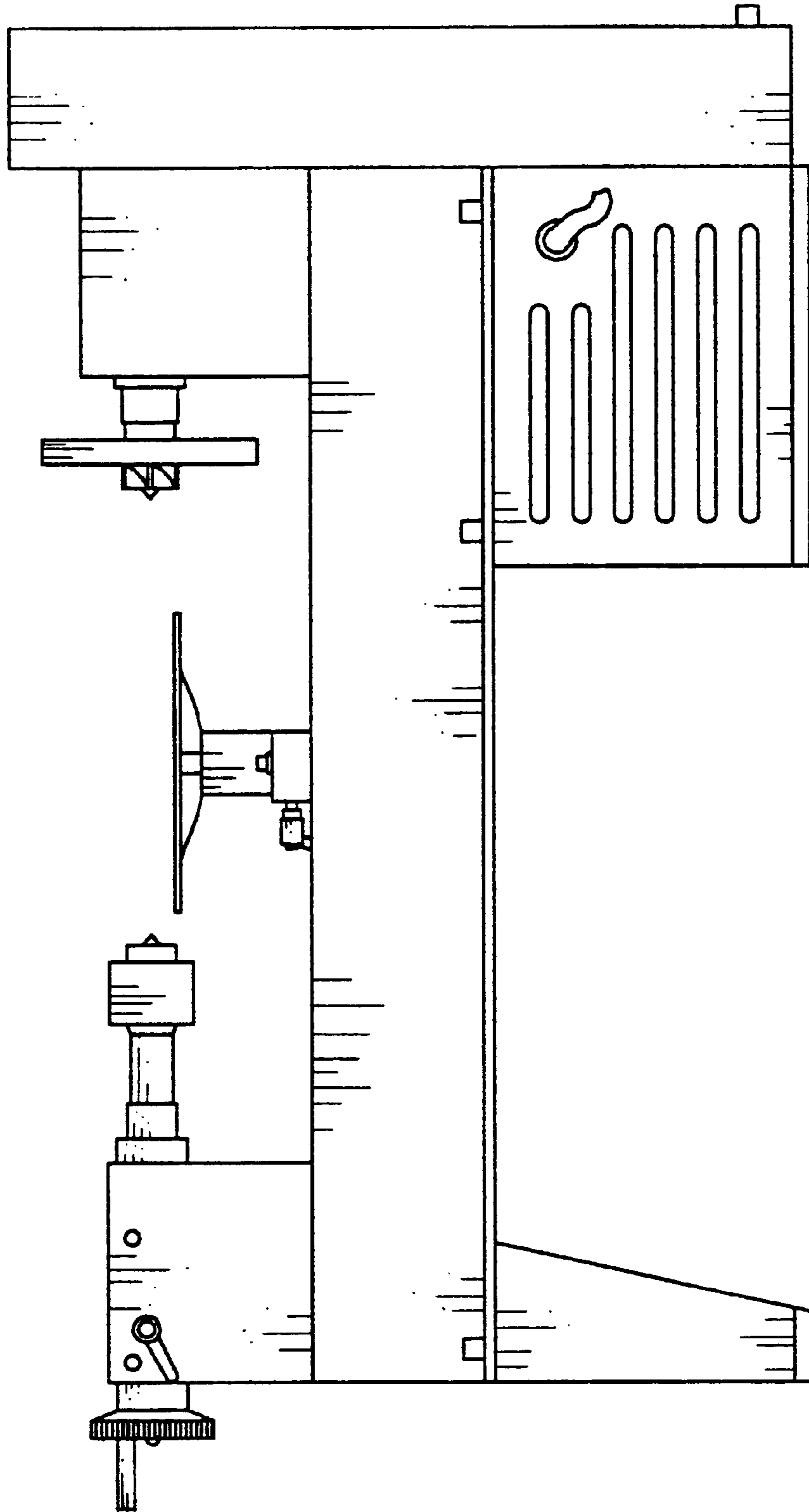


FIG. 3

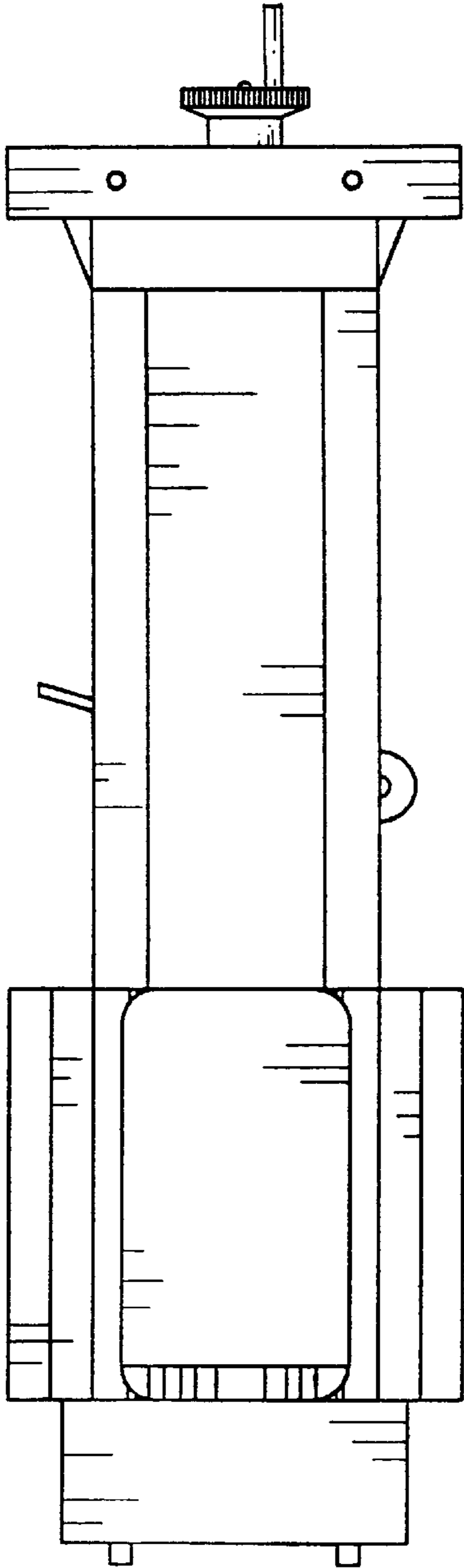


FIG. 5

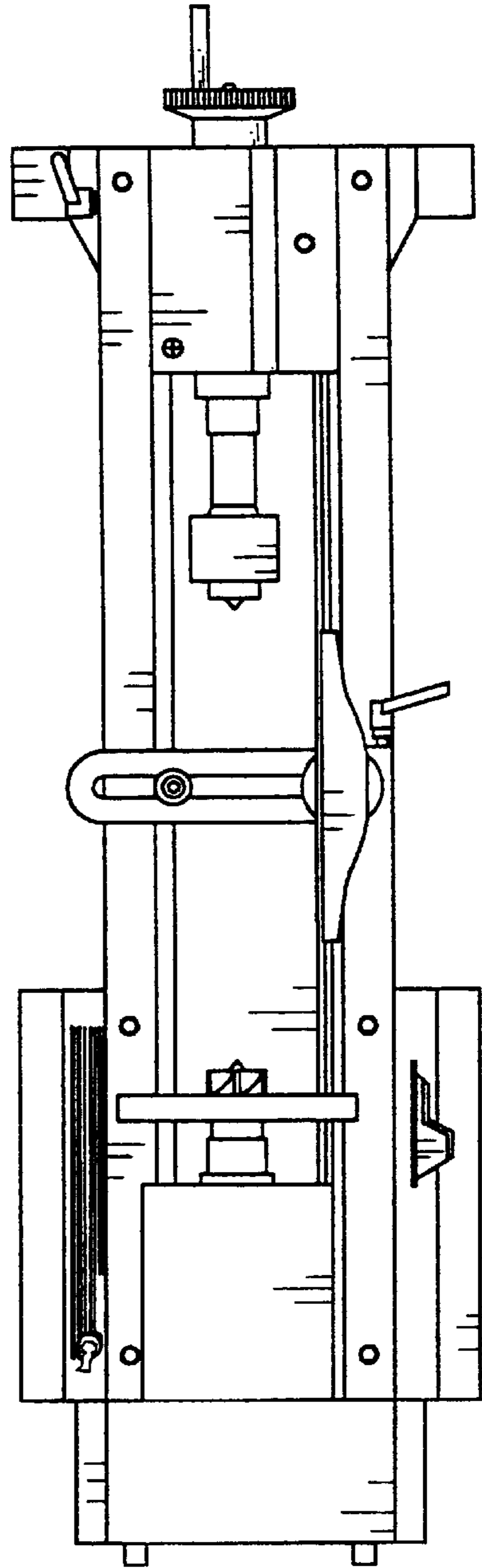


FIG. 4

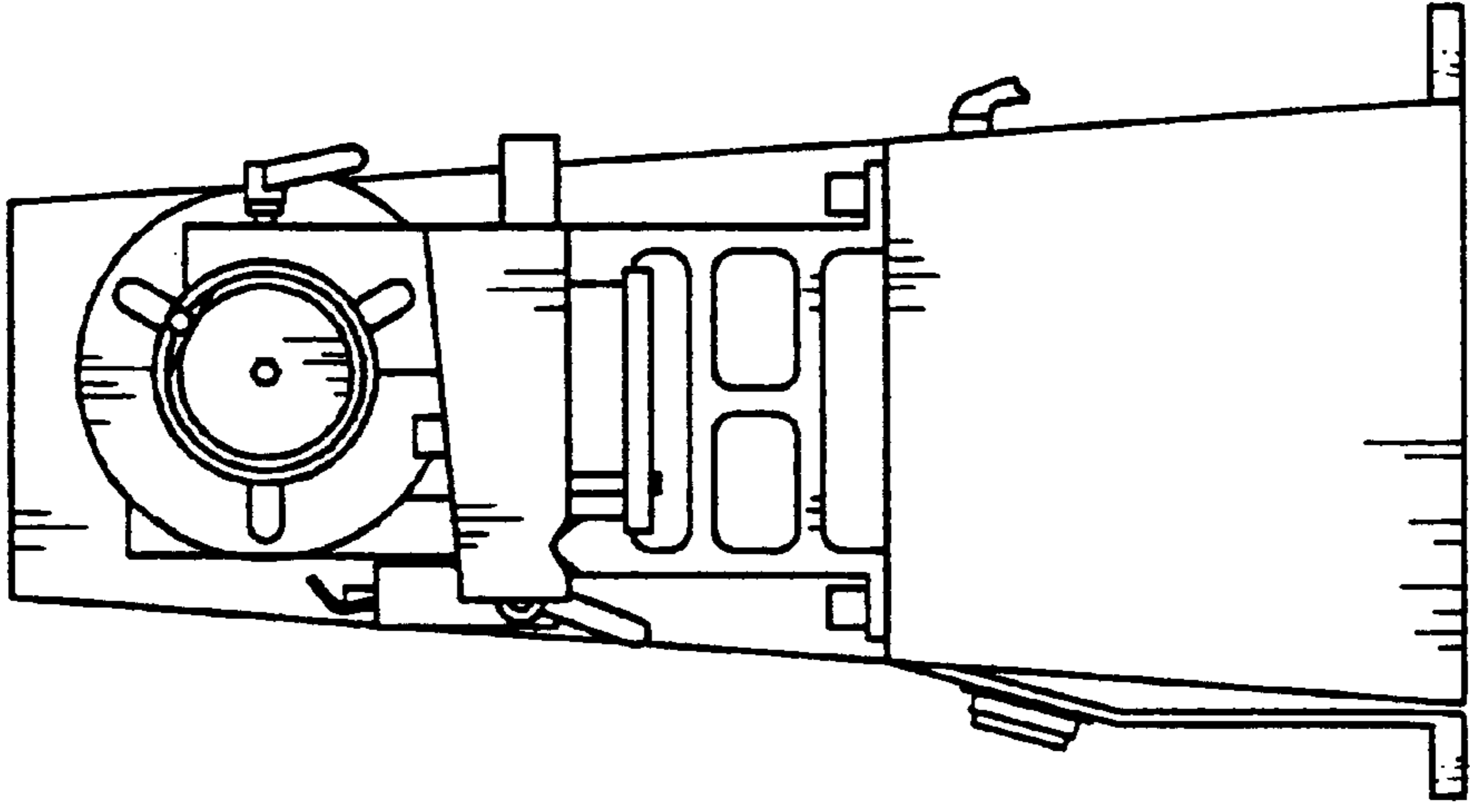


FIG. 7

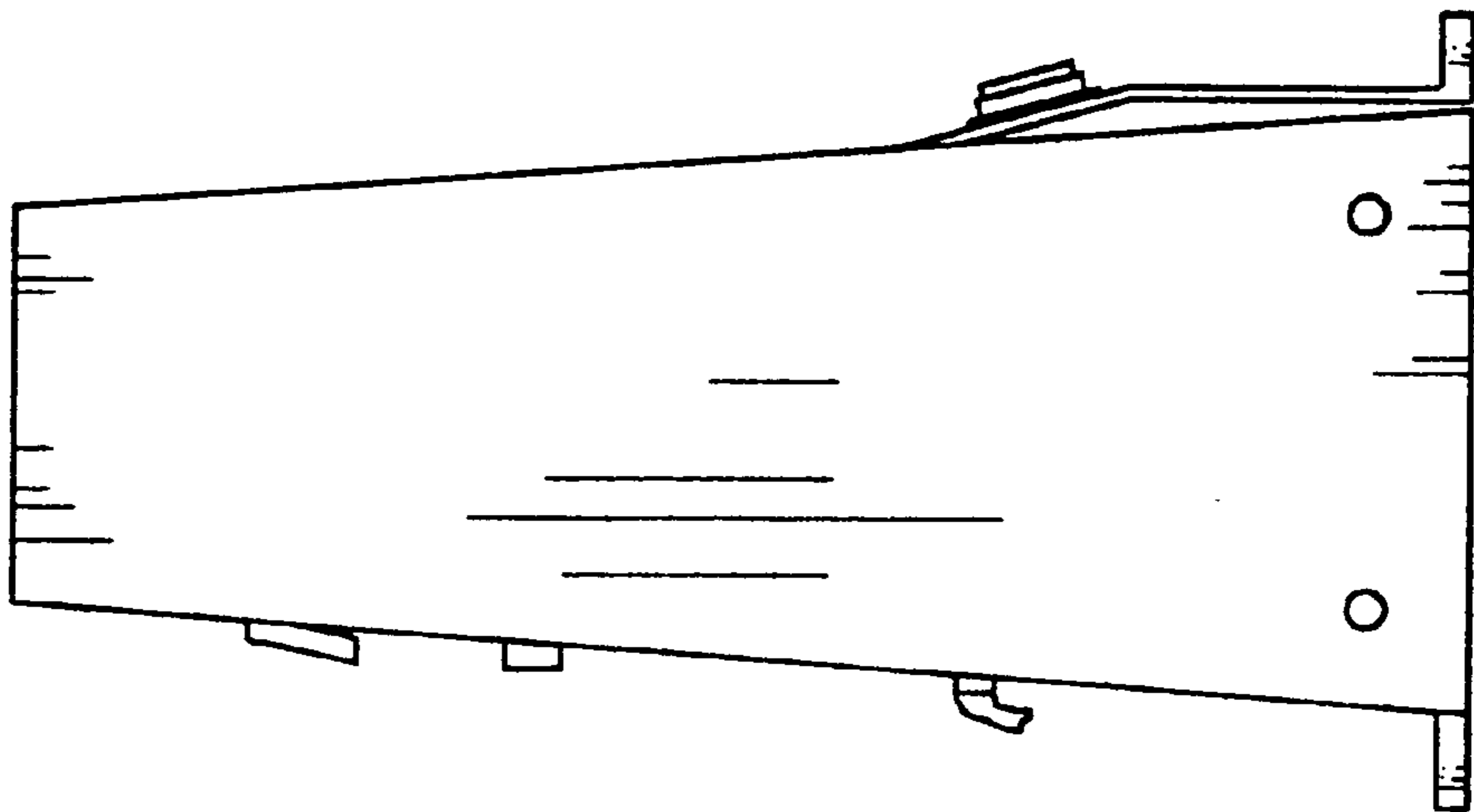


FIG. 6