



US00D425915S

# United States Patent [19]

[11] **Patent Number: Des. 425,915**

**Truan et al.**

[45] **Date of Patent: \*\* May 30, 2000**

[54] **VEHICLE MOUNTED SPREADER**

[75] Inventors: **Charles Joseph Truan**, Royal Oak;  
**James Phillip Truan**, Berkley;  
**Timothy William Hewitt**, Pleasant Ridge, all of Mich.

[73] Assignee: **Trynex, Inc.**, Royal Oak, Mich.

[\*\*] Term: **14 Years**

[21] Appl. No.: **29/088,413**

[22] Filed: **May 22, 1998**

[51] **LOC (7) Cl.** ..... **15-03**

[52] **U.S. Cl.** ..... **D15/13**

[58] **Field of Search** ..... D15/10, 13, 22-28;  
239/655, 665, 672, 681, 683, 684, 687

[56] **References Cited**

**U.S. PATENT DOCUMENTS**

D. 335,293	5/1993	Pingry et al.	.....	D15/28
D. 402,670	12/1998	Becker	.....	D15/13
3,819,120	6/1974	Walker	.....	239/661
5,375,773	12/1994	Lewis	.....	239/650
5,501,405	3/1996	Doornek	.....	239/683

**OTHER PUBLICATIONS**

Implement and Tractor, Apr. 1986, p. 37, material spreader.  
Meyer Mini Spreader Brochure, 1996.

Sno-Way International, Inc. Snow And Ice Control Products  
Brochure, undated.

Sno-Way Engineering Introduces "The Better Spreader"  
Opta-Flow Brochure, undated.

Western Products, Low Profile, Dual Swing Away Tailgate  
Spreader Brochure, undated.

Fisher, Speed-Caster 2 Stage, Brochure, undated.

Fisher, Low Profile, Dual Swing Away Tailgate Spreader,  
Brochure, 1997.

Buyers, Low Profile Tailgate Spreader, Brochure, undated.

Buyers, TGS01 Tailgate Spreader, Information Brochure,  
undated.

*Primary Examiner*—Sandra L. Morris

*Attorney, Agent, or Firm*—Howard & Howard

[57] **CLAIM**

We claim the ornamental design for the vehicle mounted  
spreader, as shown and described.

**DESCRIPTION**

FIG. 1 is a perspective view of the vehicle mounted spreader  
mounted to a pick-up truck;

FIG. 2 is a perspective view of the vehicle mounted  
spreader;

FIG. 3 is a side view of the vehicle mounted spreader;

FIG. 4 is a side view of the vehicle mounted spreader viewed  
from the opposite side as the side shown in FIG. 3;

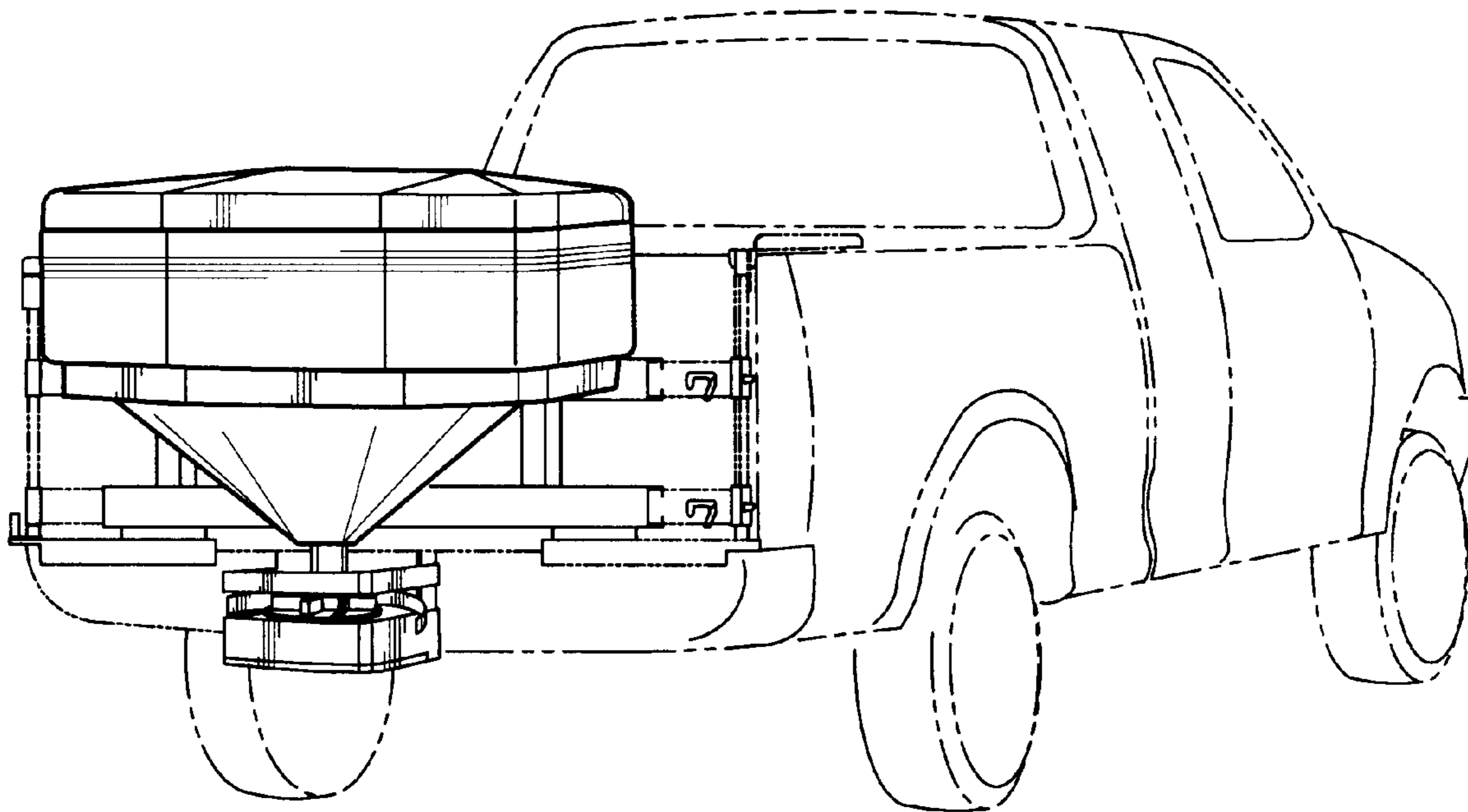
FIG. 5 is a front view of the vehicle mounted spreader;

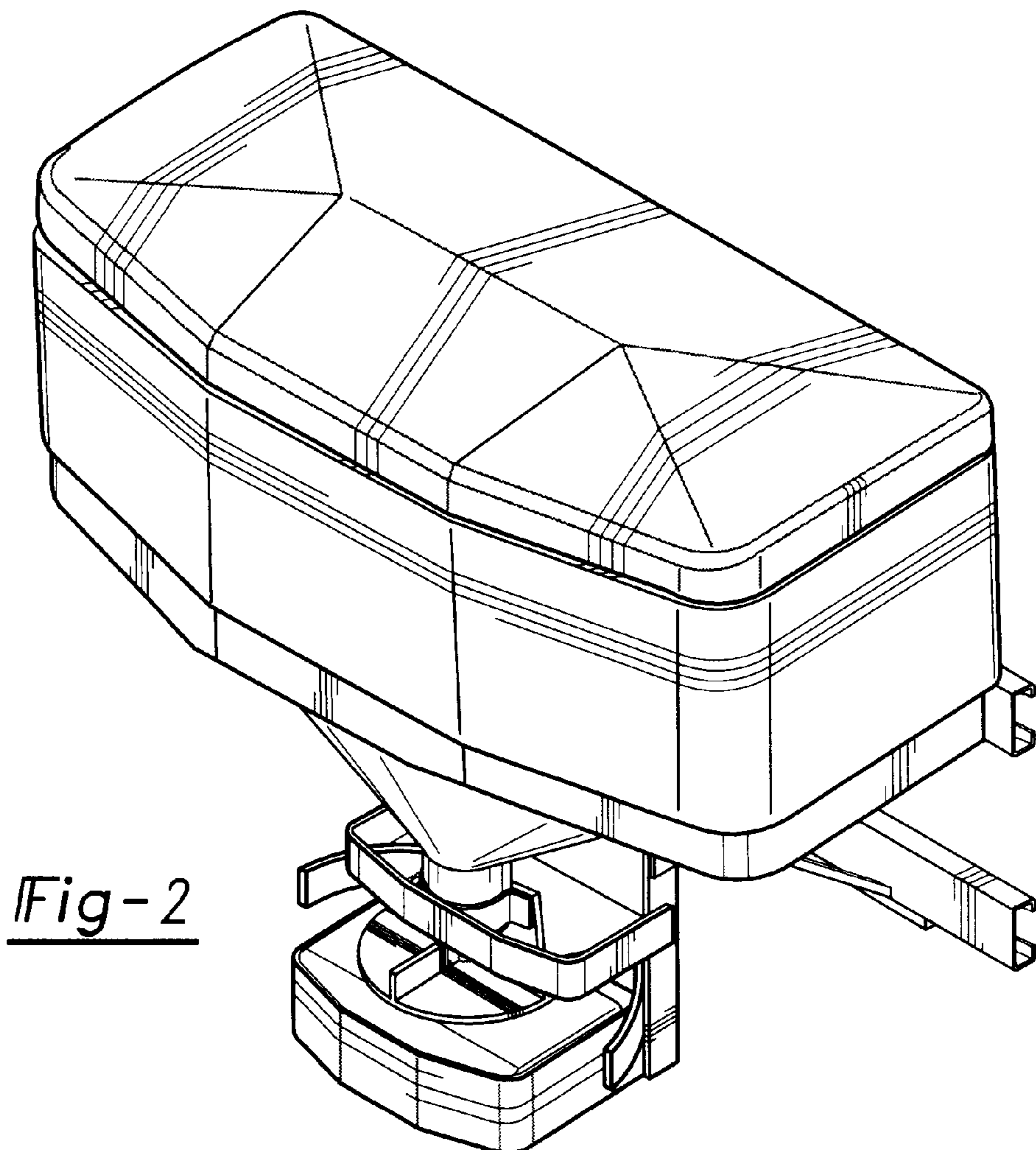
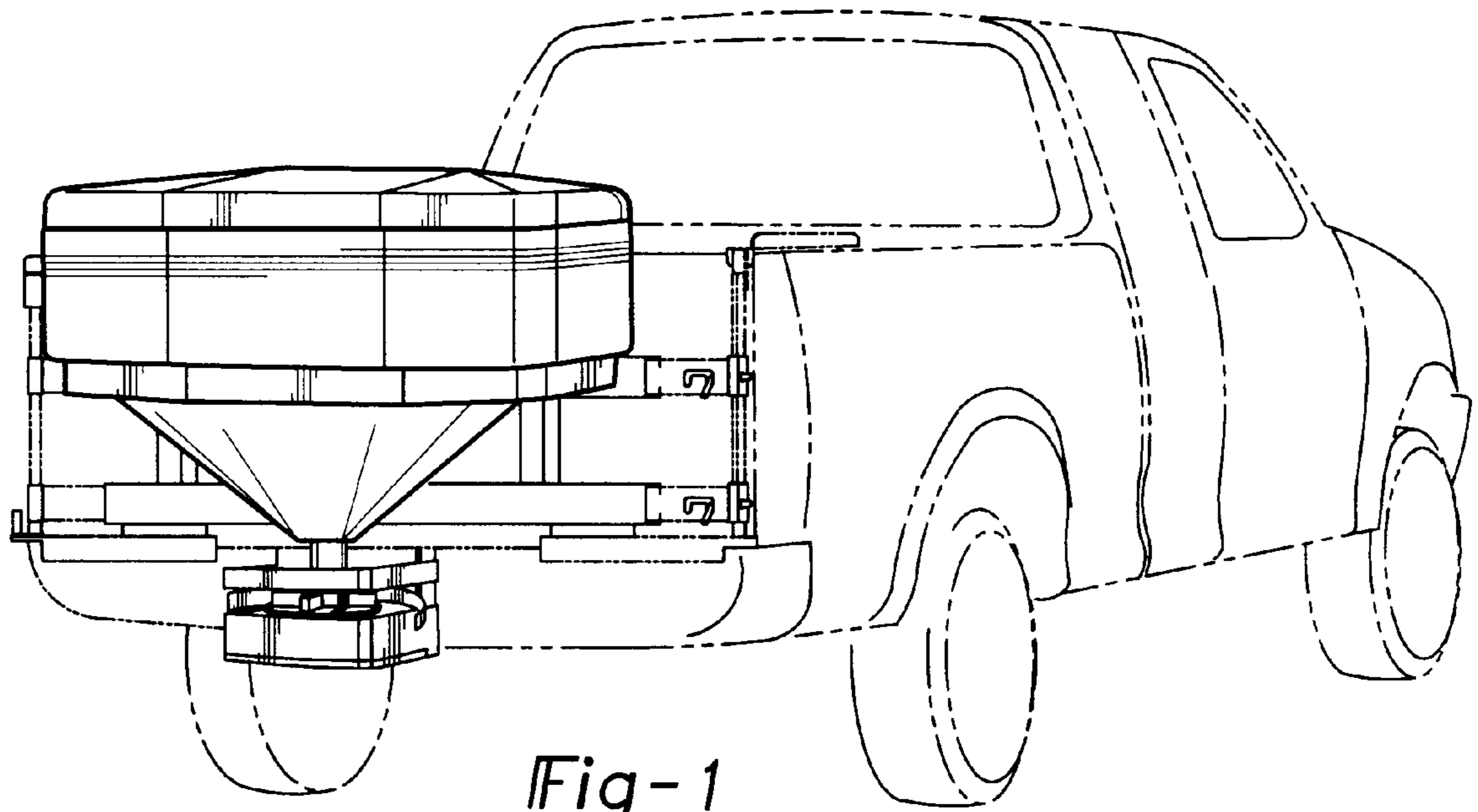
FIG. 6 is a top view of the vehicle mounted spreader; and,  
FIG. 7 is a rear view of the vehicle mounted spreader.

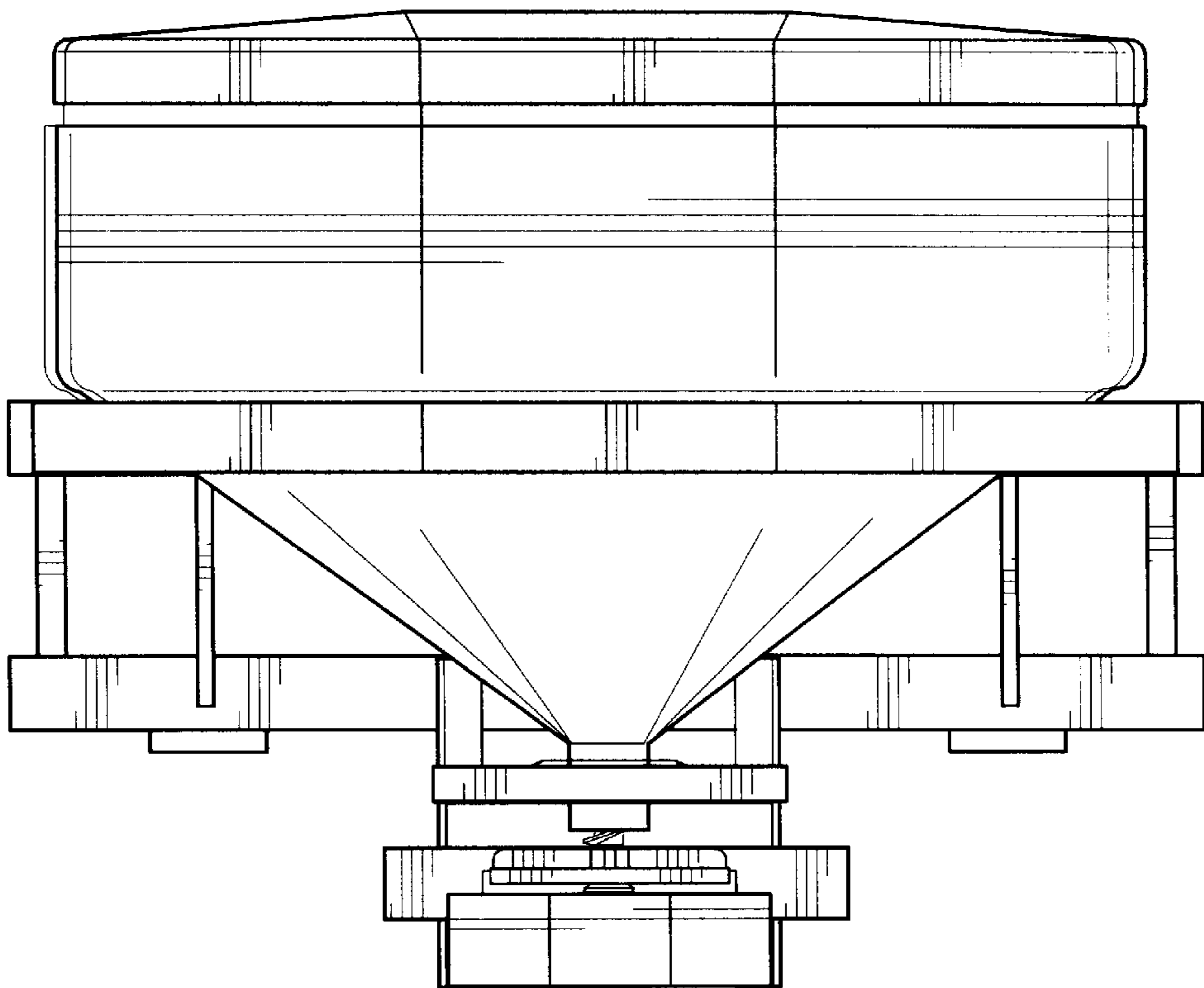
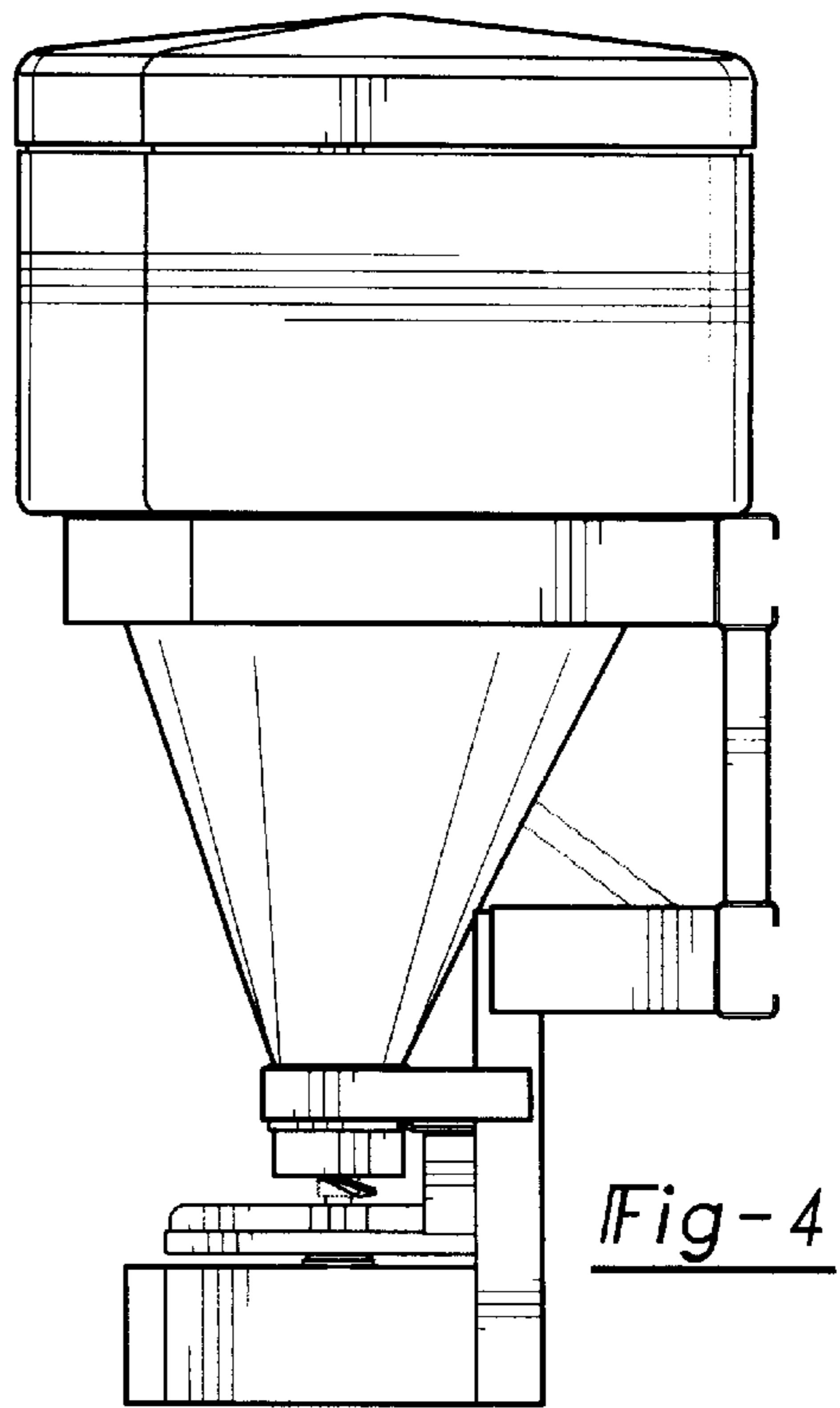
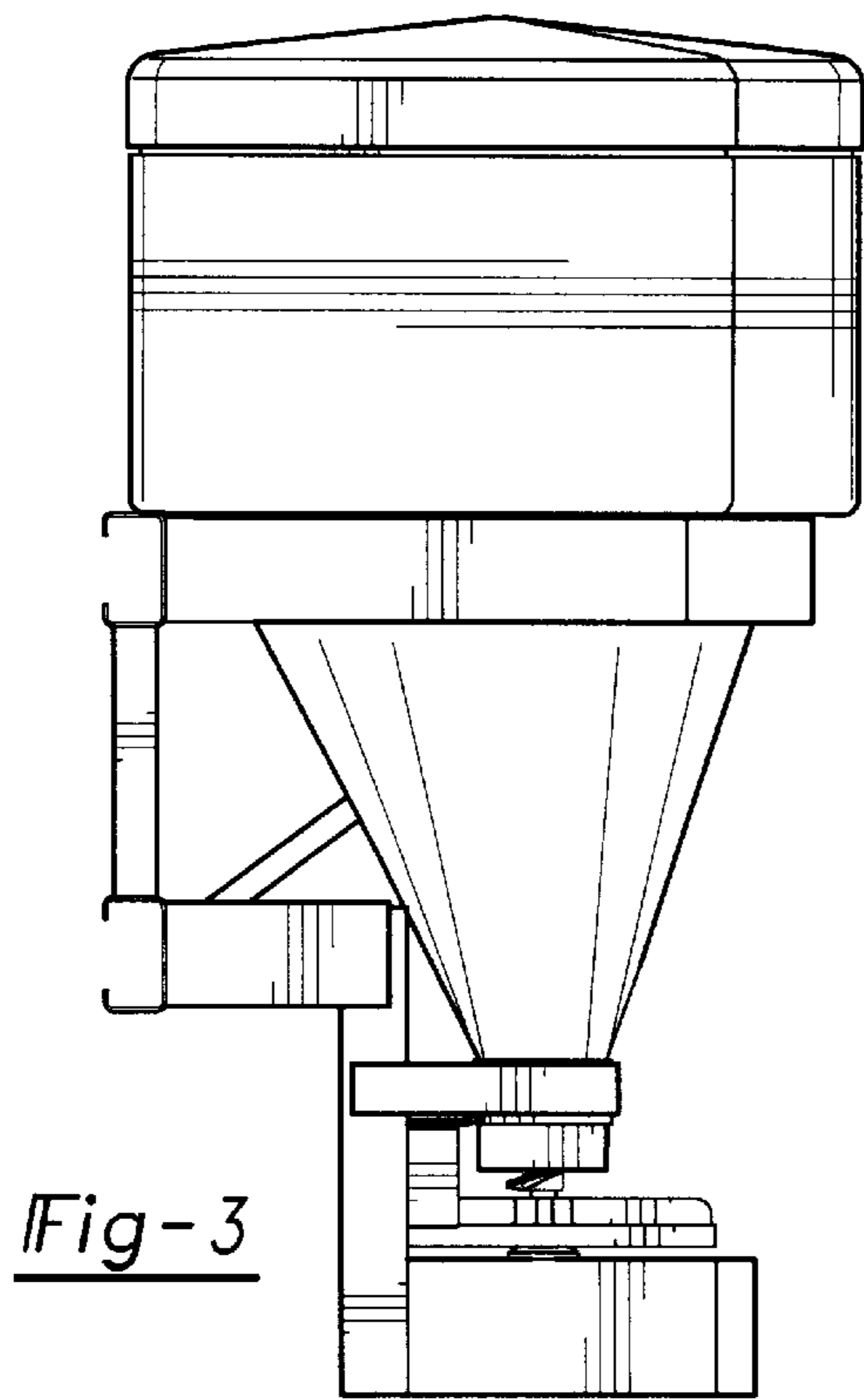
The broken line showing the truck in FIG. 1 is for illustrative  
purposes only, and forms no part of the claim design.

FIGS. 2 through 7 are shown on an enlarged scale.

**1 Claim, 3 Drawing Sheets**







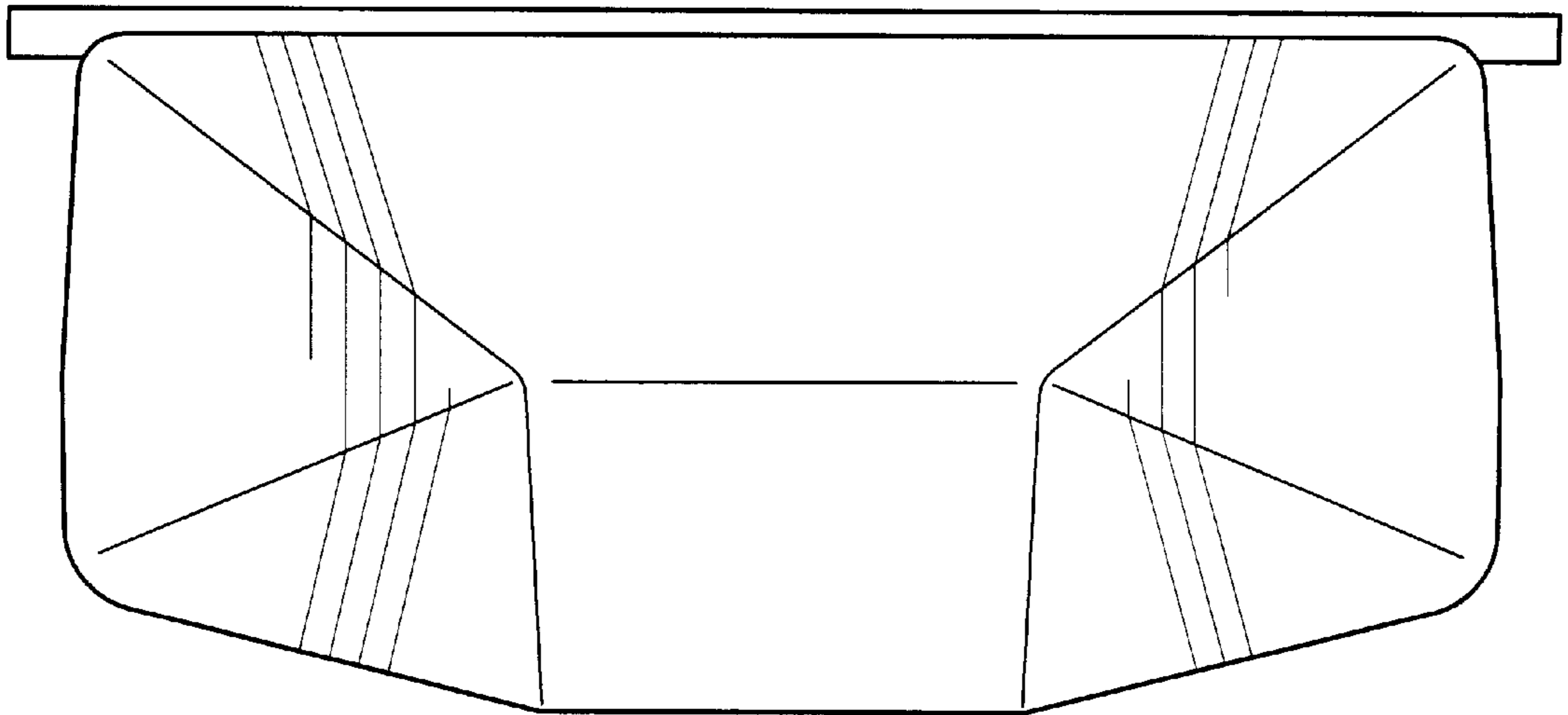


Fig-6

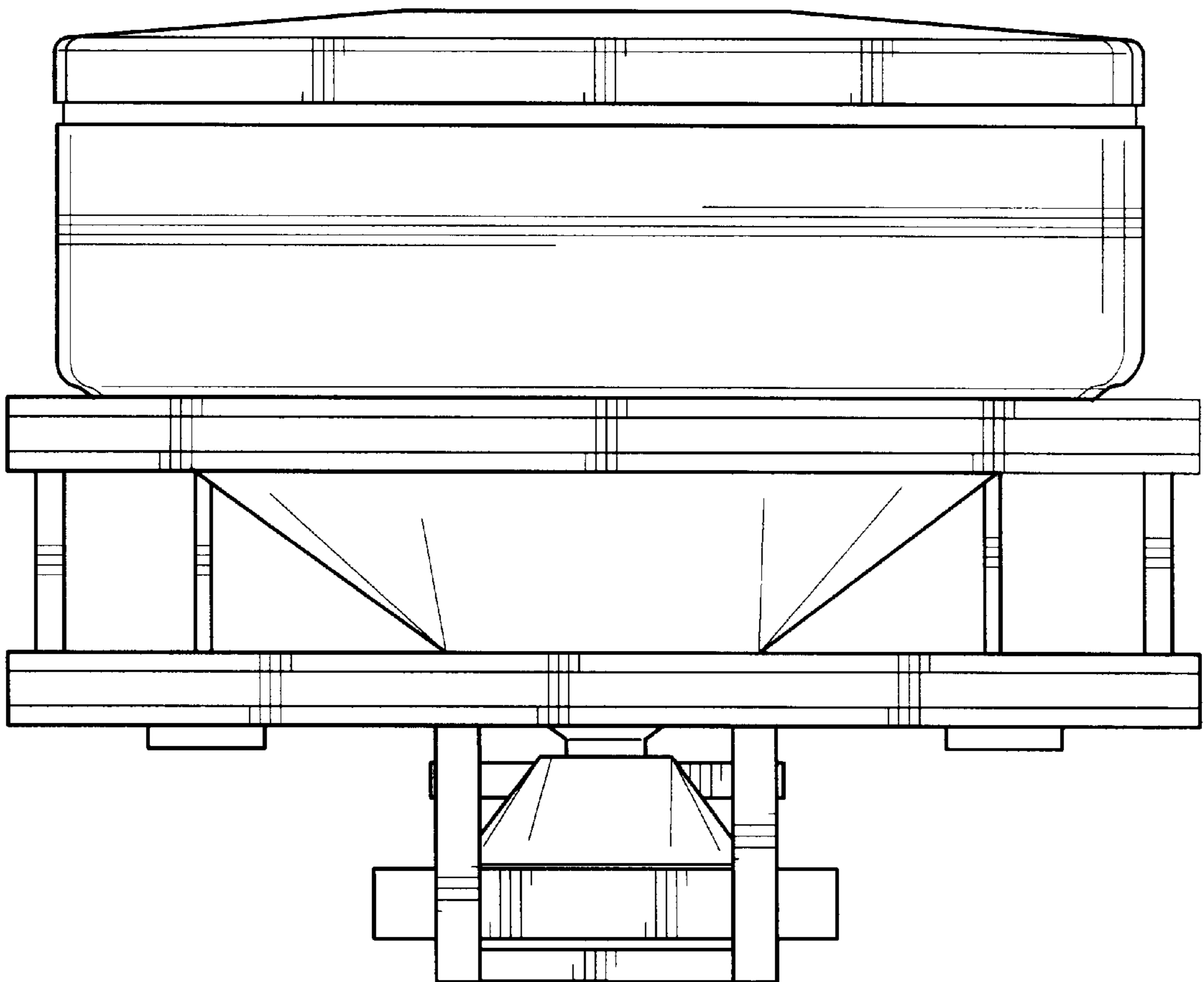


Fig-7