



US00D425914S

United States Patent [19]
Tsai

[11] **Patent Number: Des. 425,914**

[45] **Date of Patent: ** May 30, 2000**

[54] **ELECTRIC PUMP**

D. 415,500 10/1999 Poon D15/7

[76] Inventor: **Lung-Po Tsai**, No. 18, Lane 183,
Ming-Chyuan Rd., Chu-Wei Li,
Tan-Shui Chen, Taipei Hsien, Taiwan

Primary Examiner—Ralf Seifert
Attorney, Agent, or Firm—Rosenberg, Klein & Lee

[**] Term: **14 Years**

[57] **CLAIM**

The ornamental design for a electric pump, as shown.

[21] Appl. No.: **29/109,776**

DESCRIPTION

[22] Filed: **Aug. 24, 1999**

[51] **LOC (7) Cl.** **15-02**

[52] **U.S. Cl.** **D15/7**

[58] **Field of Search** D15/7-9; 417/423.14,
417/411, 415, 234, 410.3, 410.4, 410.5

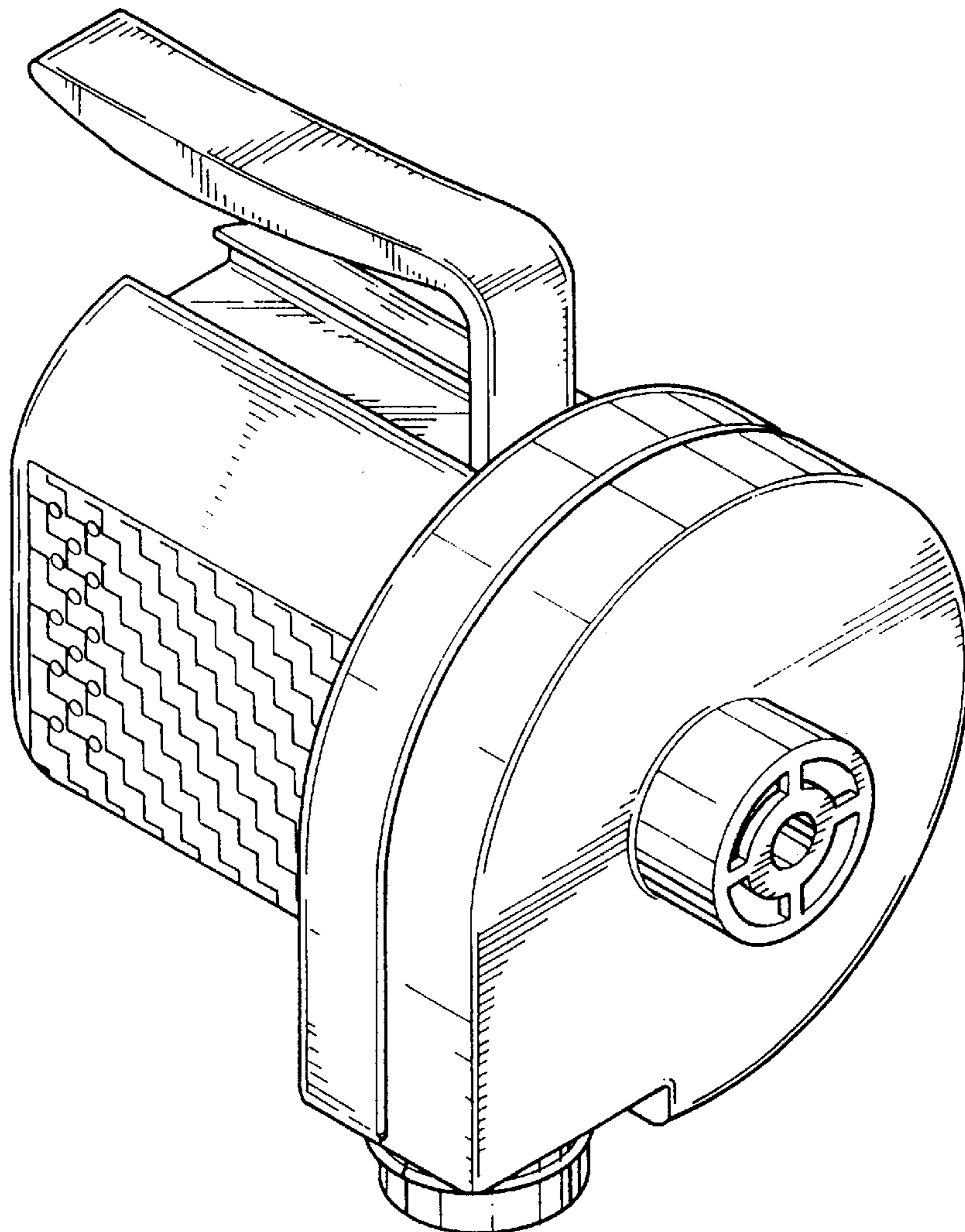
FIG. 1 is a front-right-top perspective view of a electric pump, showing my new design;
FIG. 2 is a front elevational view thereof;
FIG. 3 is a rear elevational view thereof;
FIG. 4 is a left side elevational view thereof;
FIG. 5 is a right side elevational view thereof;
FIG. 6 is a top plan view thereof;
FIG. 7 is a bottom plan view thereof;
FIG. 8 is a perspective view showing the application of my new design, with alternate nozzles connected; and,
FIG. 9 is another embodiment showing the application of my new design with multiple nozzles connected.

[56] **References Cited**

U.S. PATENT DOCUMENTS

D. 174,901	6/1955	Gamble et al.	D15/9
D. 301,245	5/1989	Hefling	D15/7
D. 391,969	3/1998	Poon	D15/7
D. 405,806	2/1999	Poon	D15/7

1 Claim, 8 Drawing Sheets



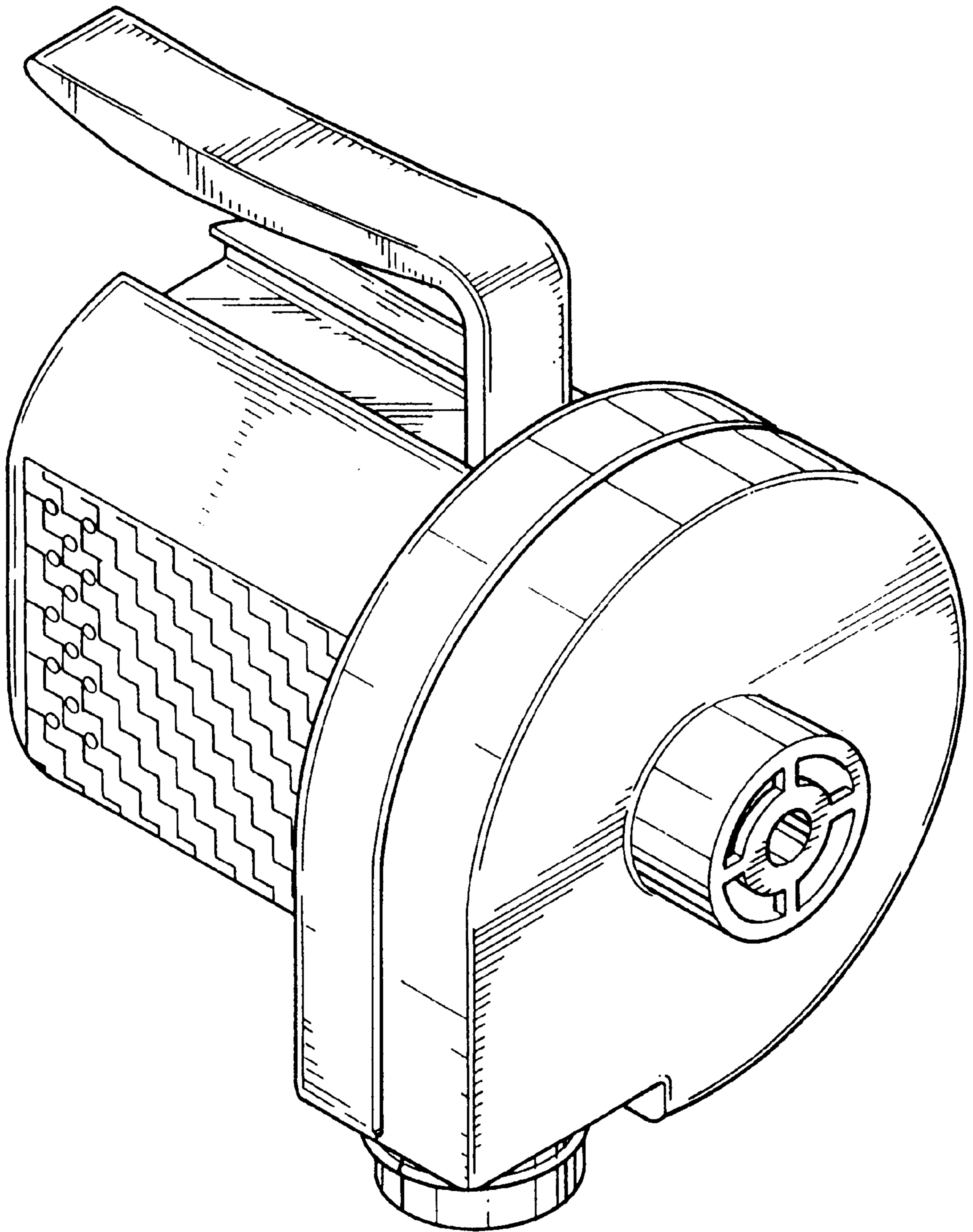


FIG. 1

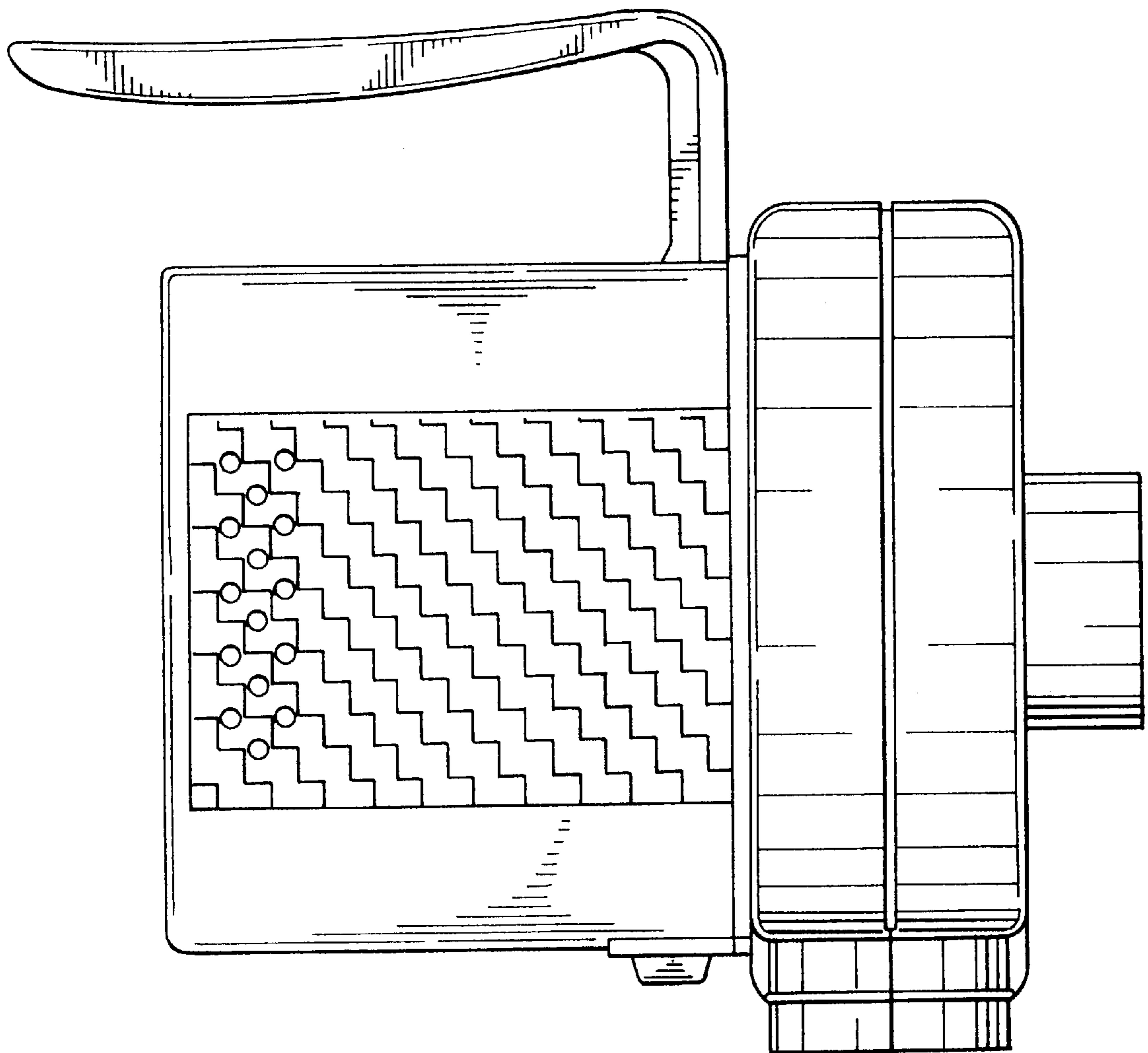


FIG. 2

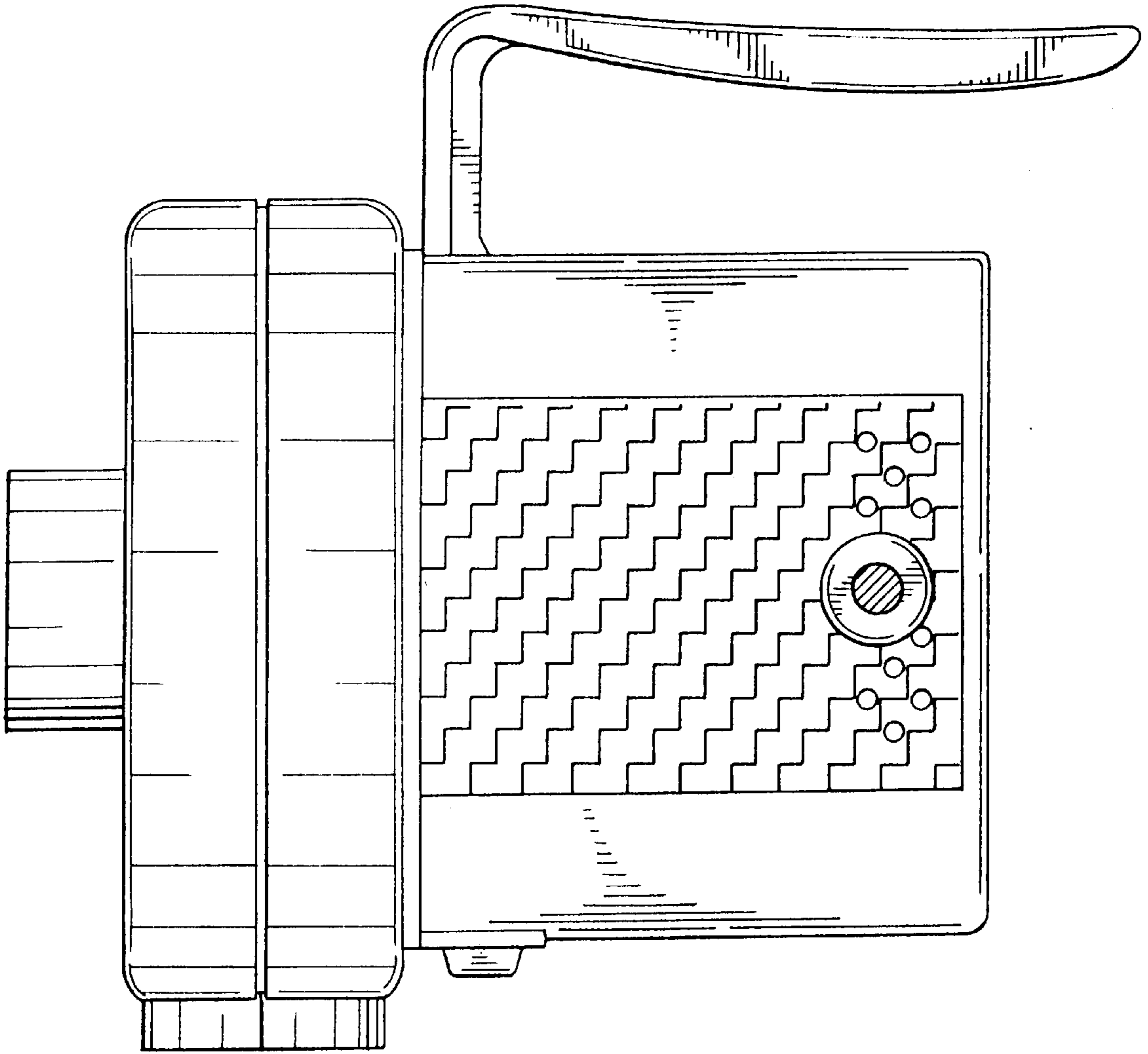


FIG. 3

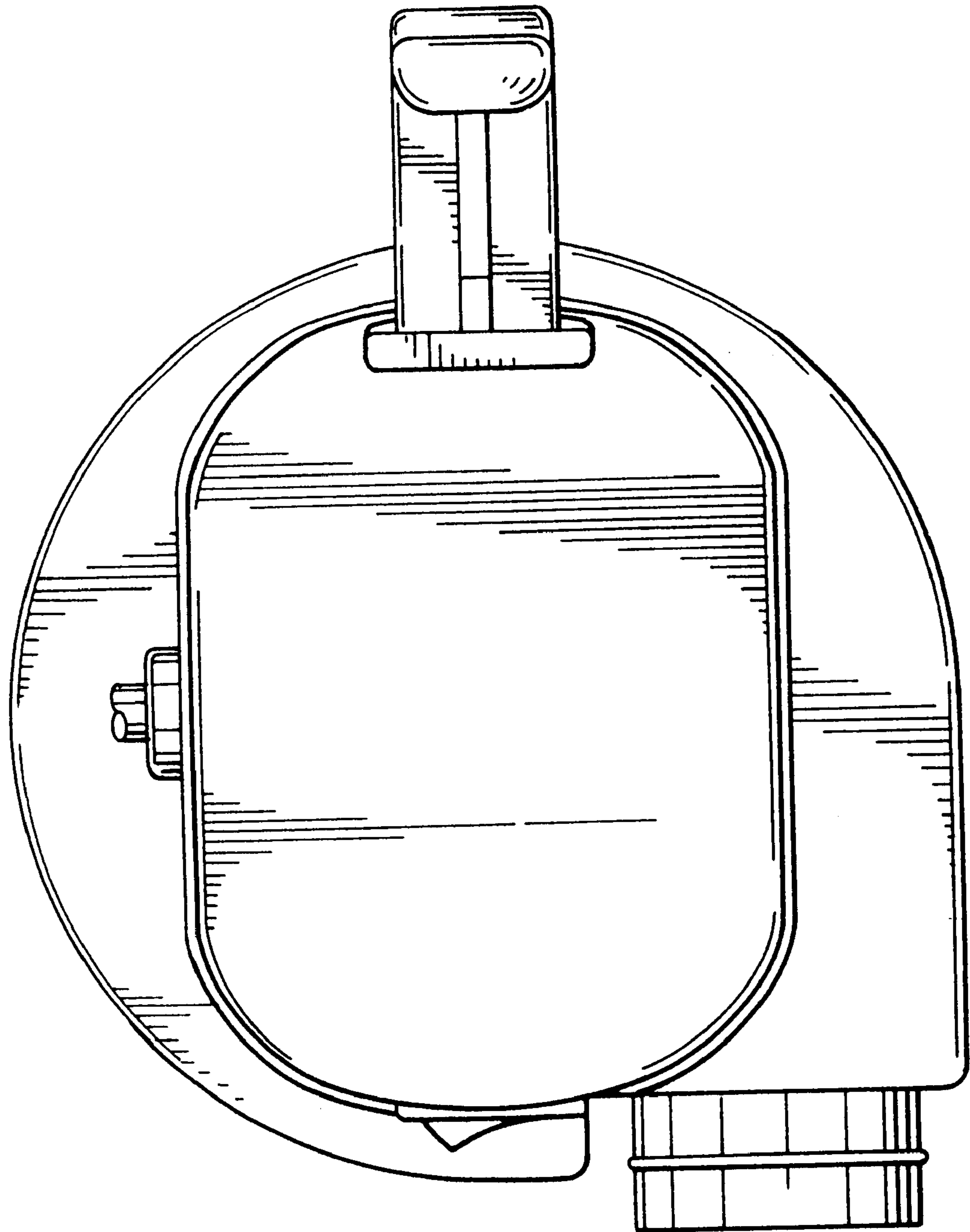


FIG. 4

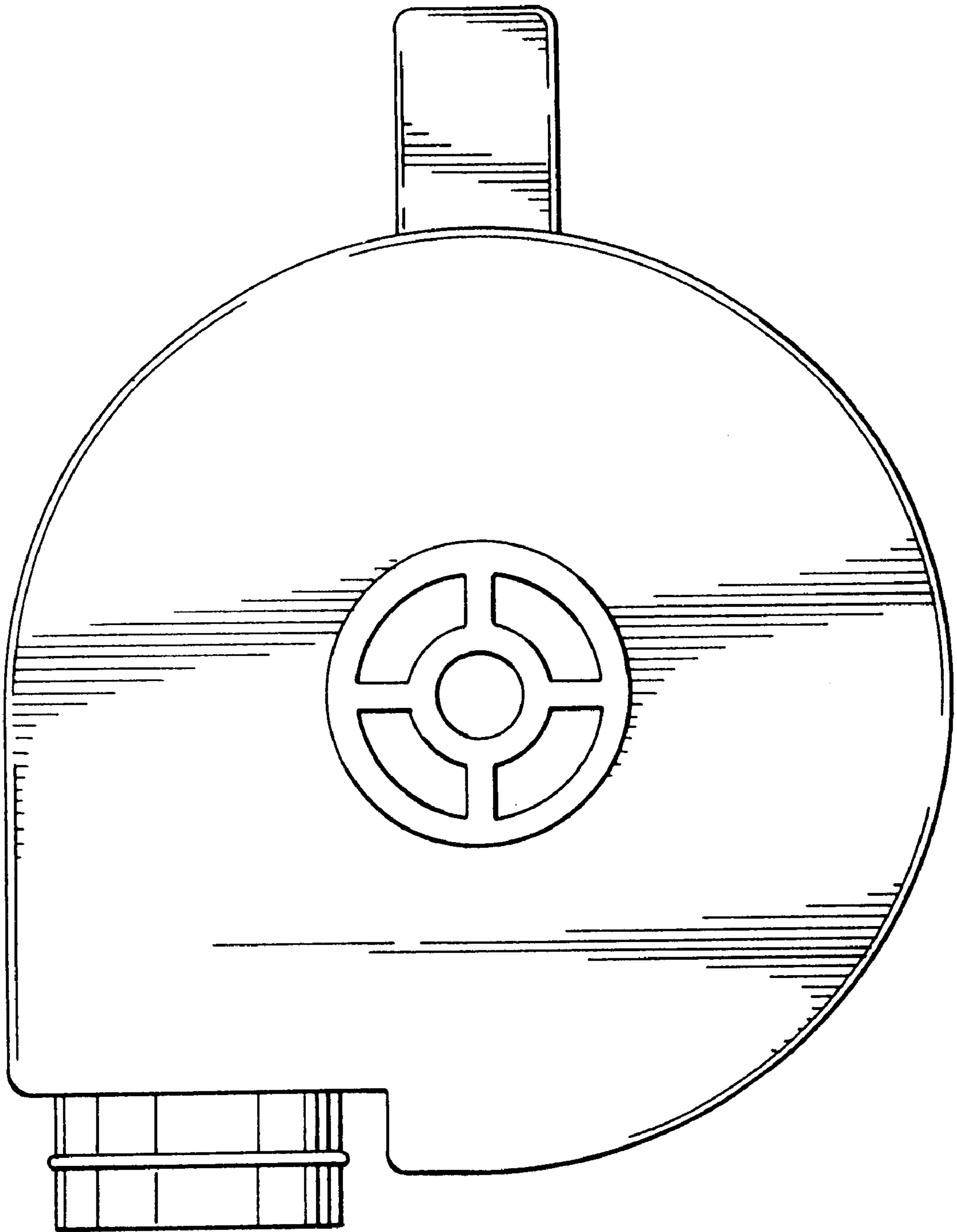


FIG. 5

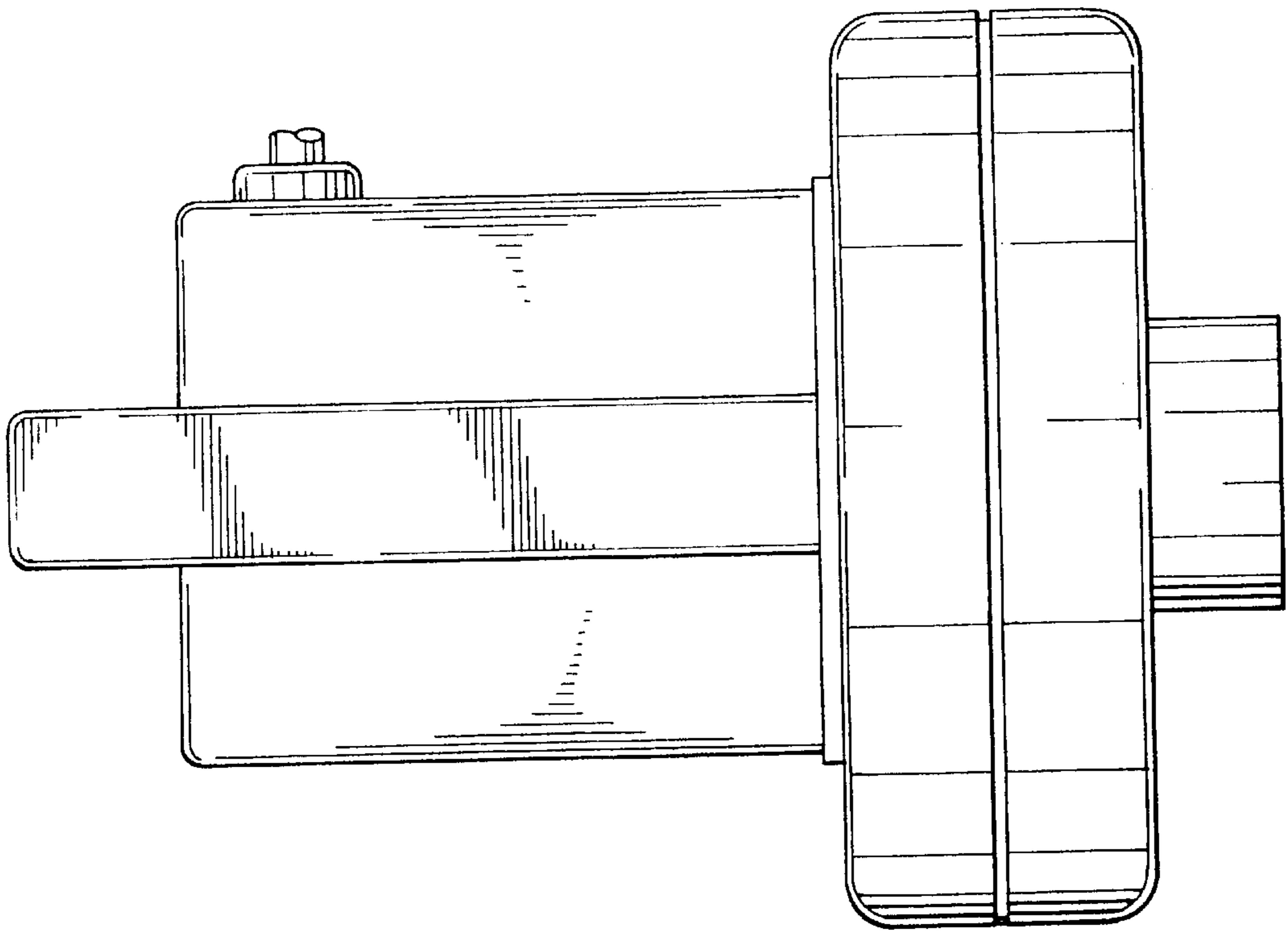


FIG. 6

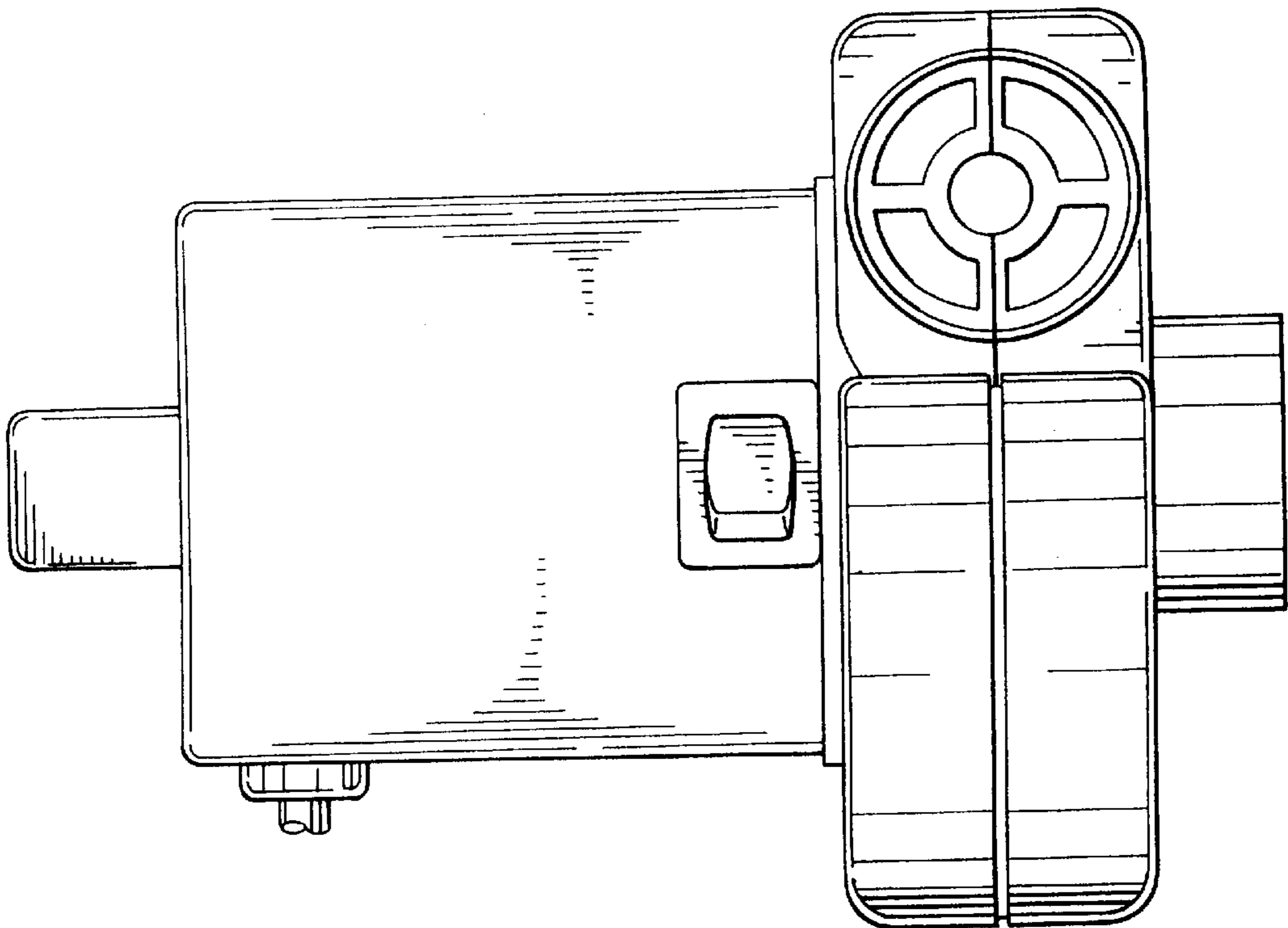


FIG. 7

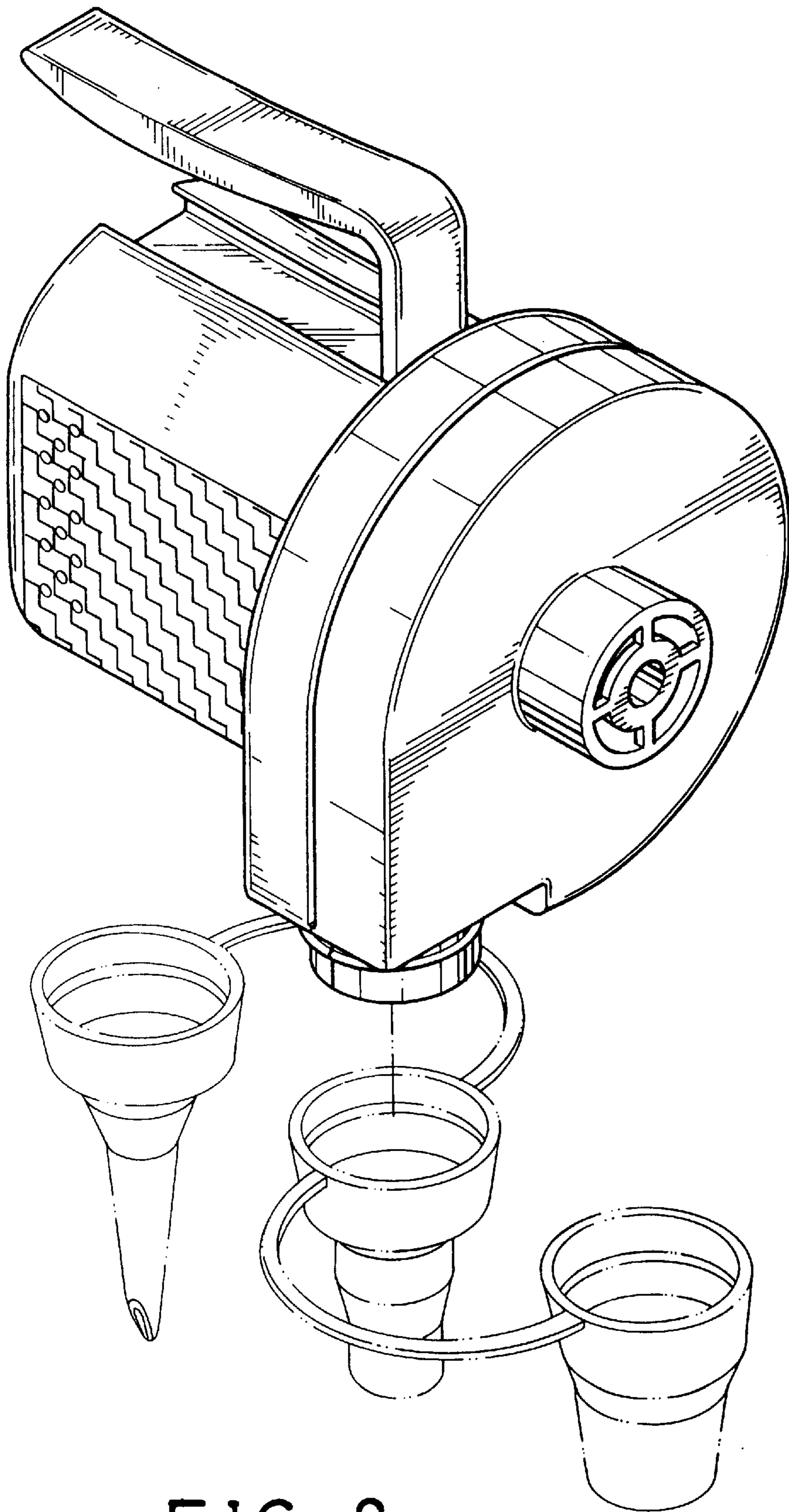


FIG. 8

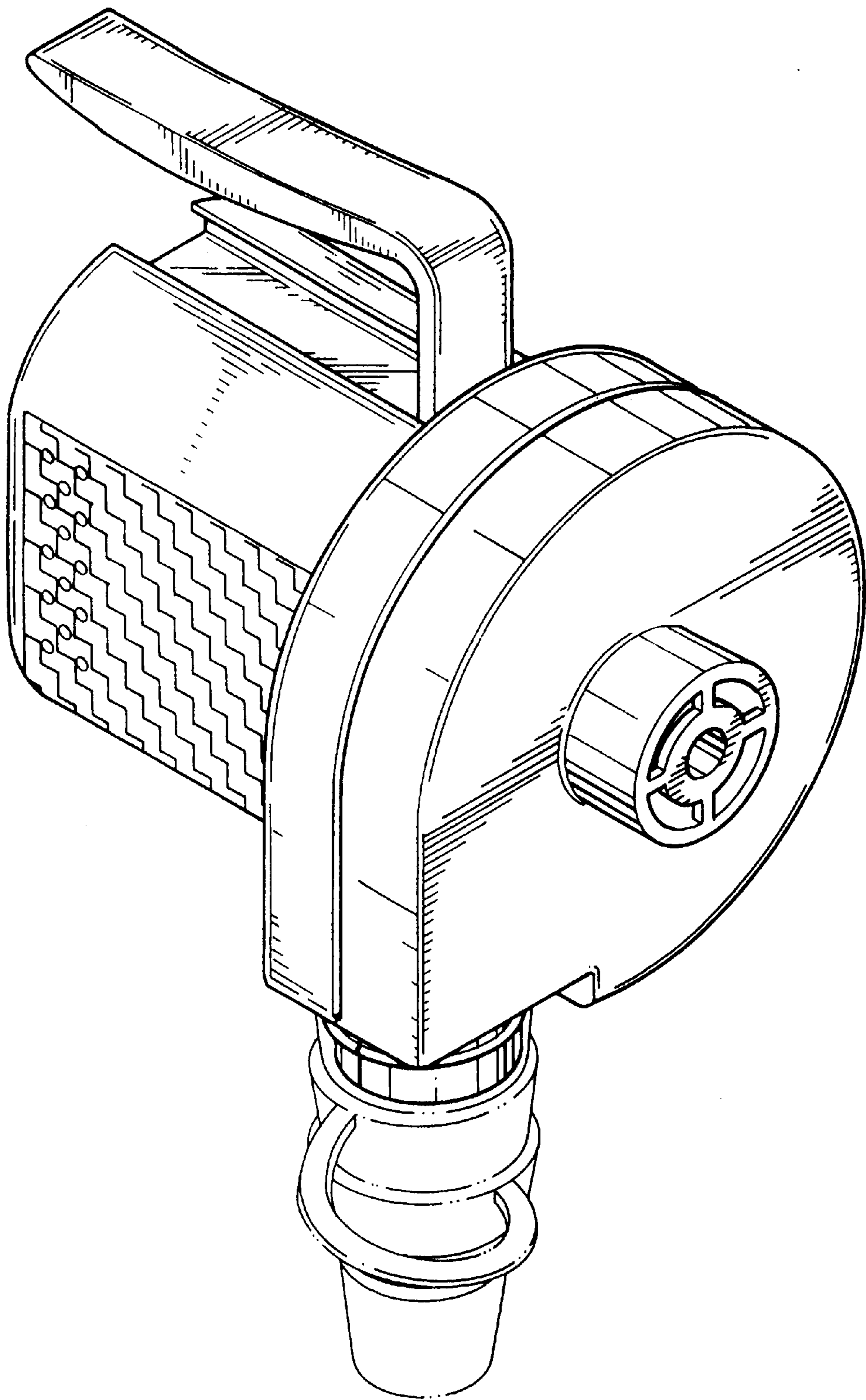


FIG. 9