



US00D425913S

United States Patent [19]
Bonzer

[11] **Patent Number: Des. 425,913**

[45] **Date of Patent: ** May 30, 2000**

[54] **CLEAR CASE FOR AN INFLATION KIT**

[76] Inventor: **Robert L. Bonzer**, 905 W. Amity Rd.,
Boise, Id. 83705

[**] Term: **14 Years**

[21] Appl. No.: **29/108,323**

[22] Filed: **Jul. 23, 1999**

[51] **LOC (7) Cl.** **15-02**

[52] **U.S. Cl.** **D15/7**

[58] **Field of Search** D15/7-9; 137/140,
137/142, 149; 417/234, 411; D26/26, 38,
52

[56] **References Cited**

U.S. PATENT DOCUMENTS

D. 273,178	3/1984	Dunlap	D15/7
D. 293,583	1/1988	Dunlap	D15/7
D. 323,329	1/1992	Wong	D15/7
D. 341,143	11/1993	Beaver	D15/7

Primary Examiner—Ralf Seifert
Attorney, Agent, or Firm—Frank J. Dykas

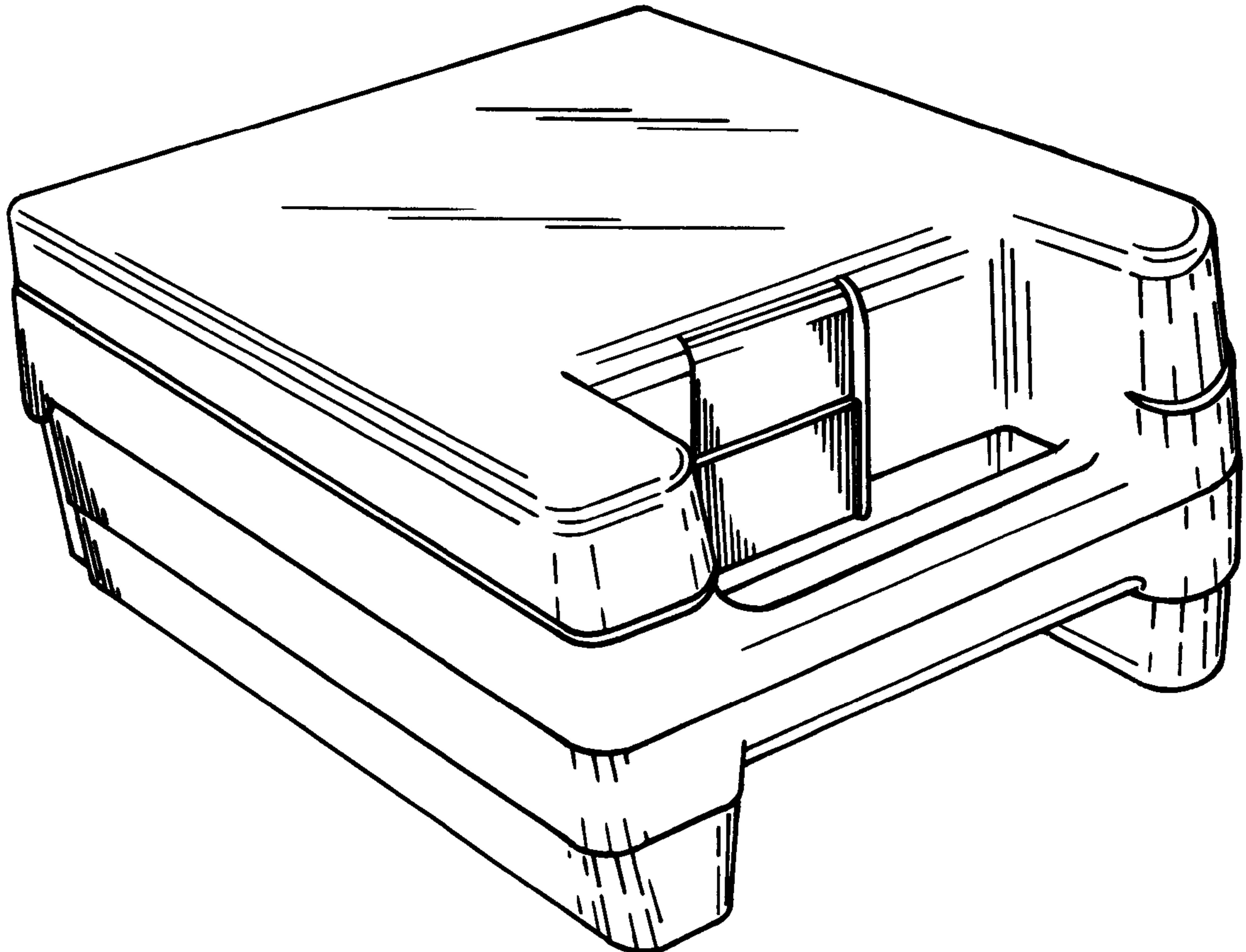
[57] **CLAIM**

The ornamental design for a clear case for an inflation kit,
as shown and described.

DESCRIPTION

FIG. 1 is a perspective view of a clear case for an inflation kit showing my new design;
FIG. 2 is a perspective view of the clear case for an inflation kit showing internal parts;
FIG. 3 is a first side view of the clear case for an inflation kit;
FIG. 4 is a second side view of the clear case for an inflation kit;
FIG. 5 is a first end view of the clear case for an inflation kit;
FIG. 6 is a second end view of the clear case for an inflation kit;
FIG. 7 is a top view of the clear case for an inflation kit; and,
FIG. 8 is a bottom view of the clear case for an inflation kit.
The broken line showing in FIG. 2 is illustrative of environmental structure only and forms no part of the claimed design.

1 Claim, 8 Drawing Sheets



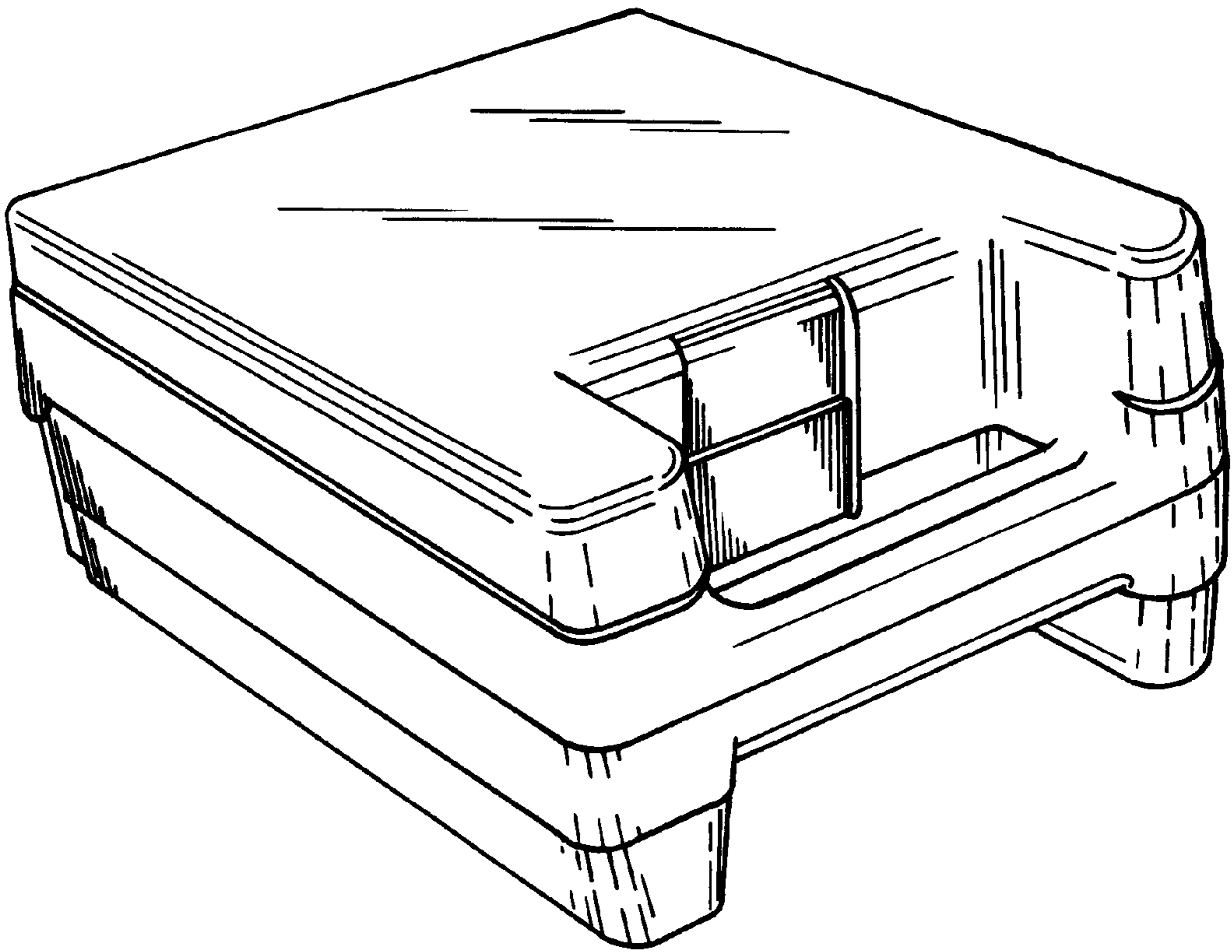


FIG. 1

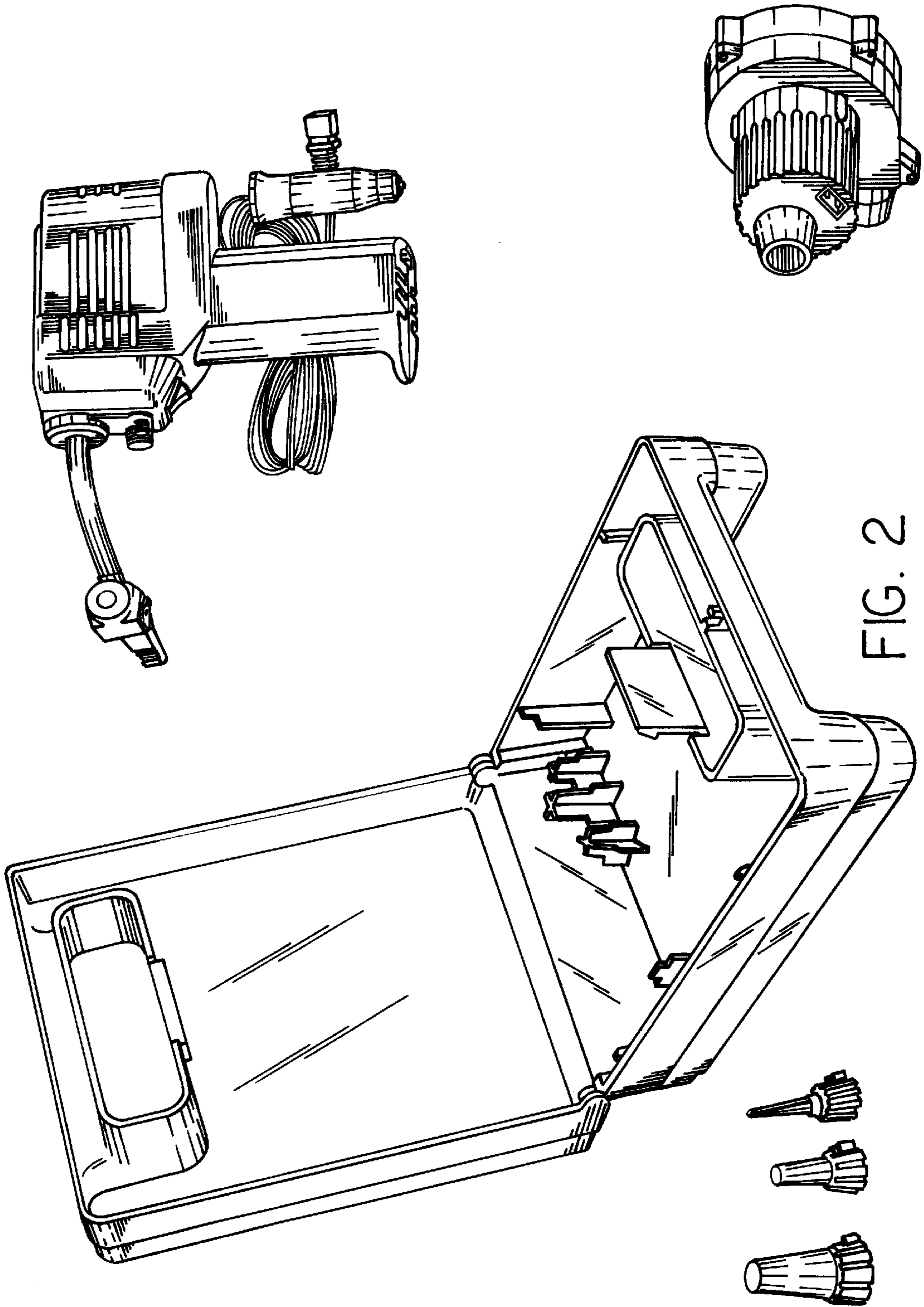


FIG. 2

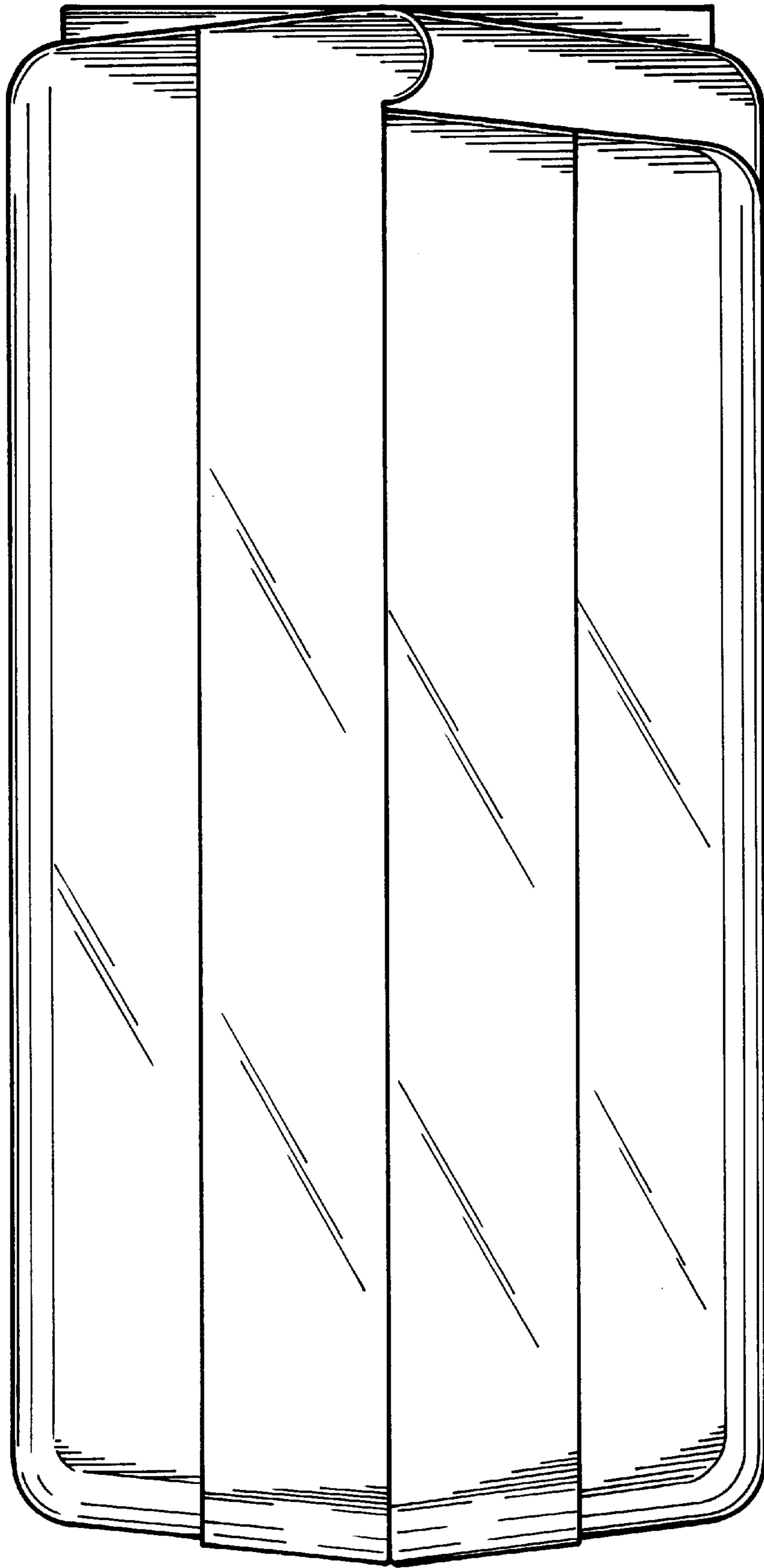


FIG. 3

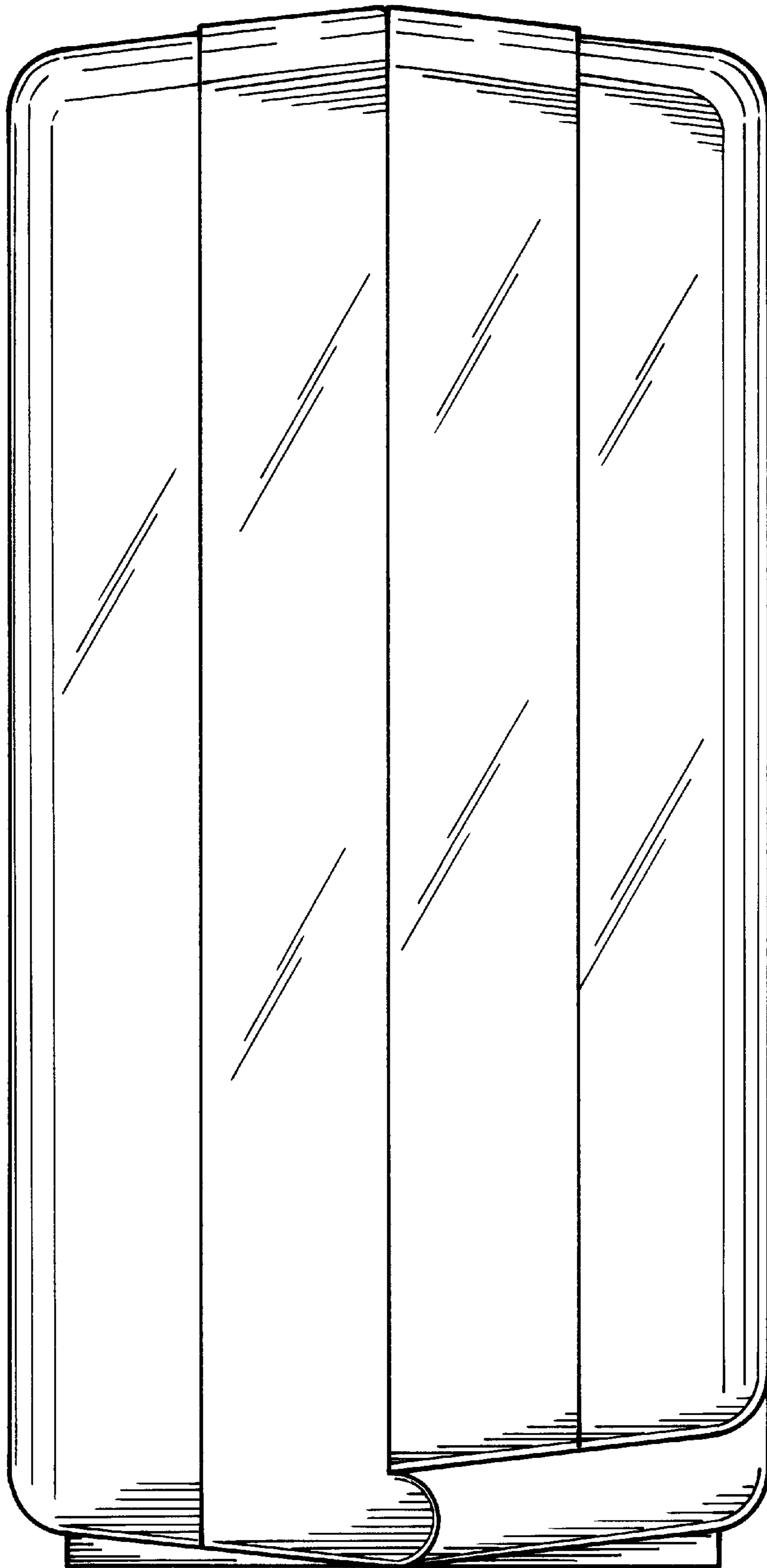


FIG. 4



FIG. 5

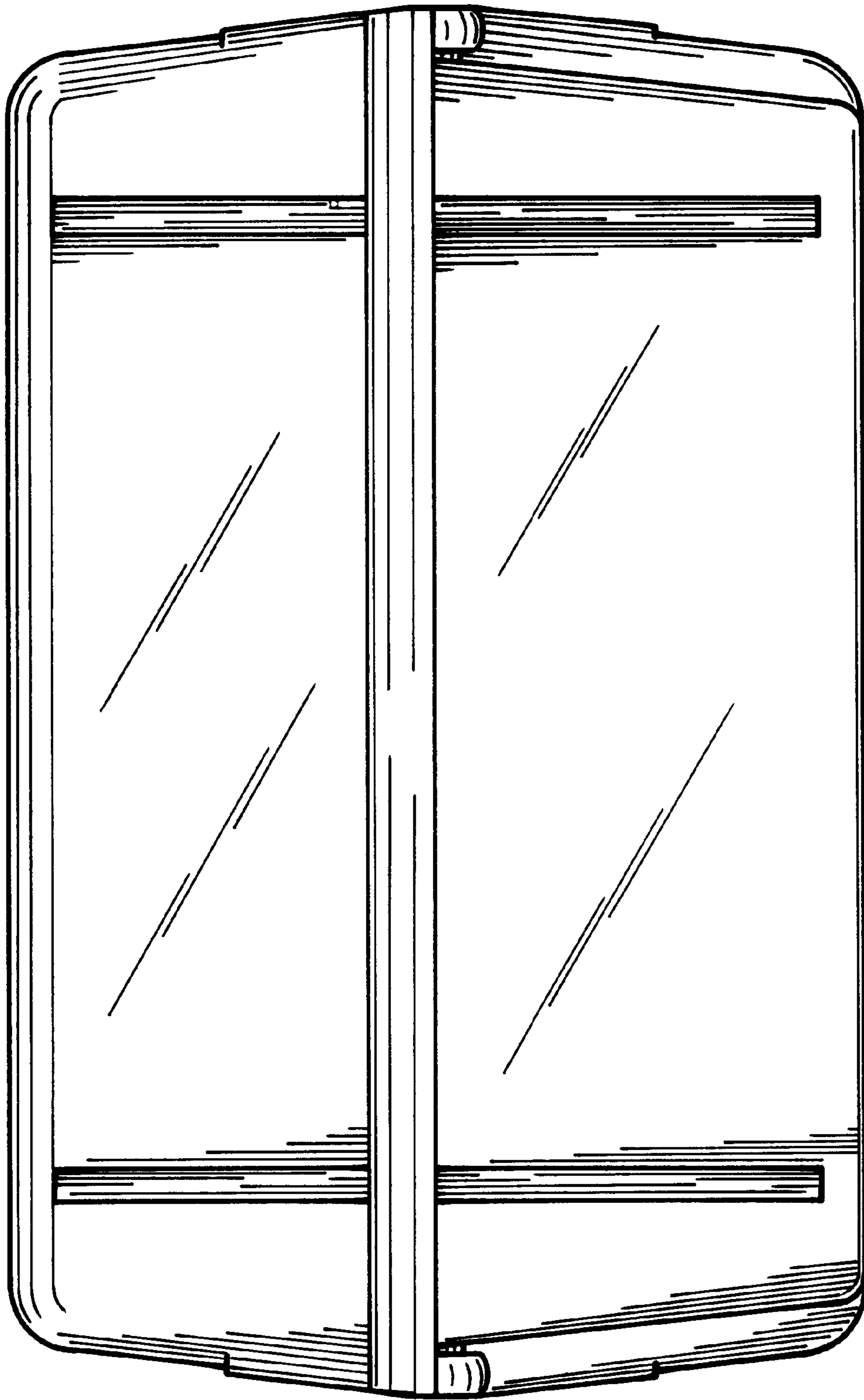


FIG. 6

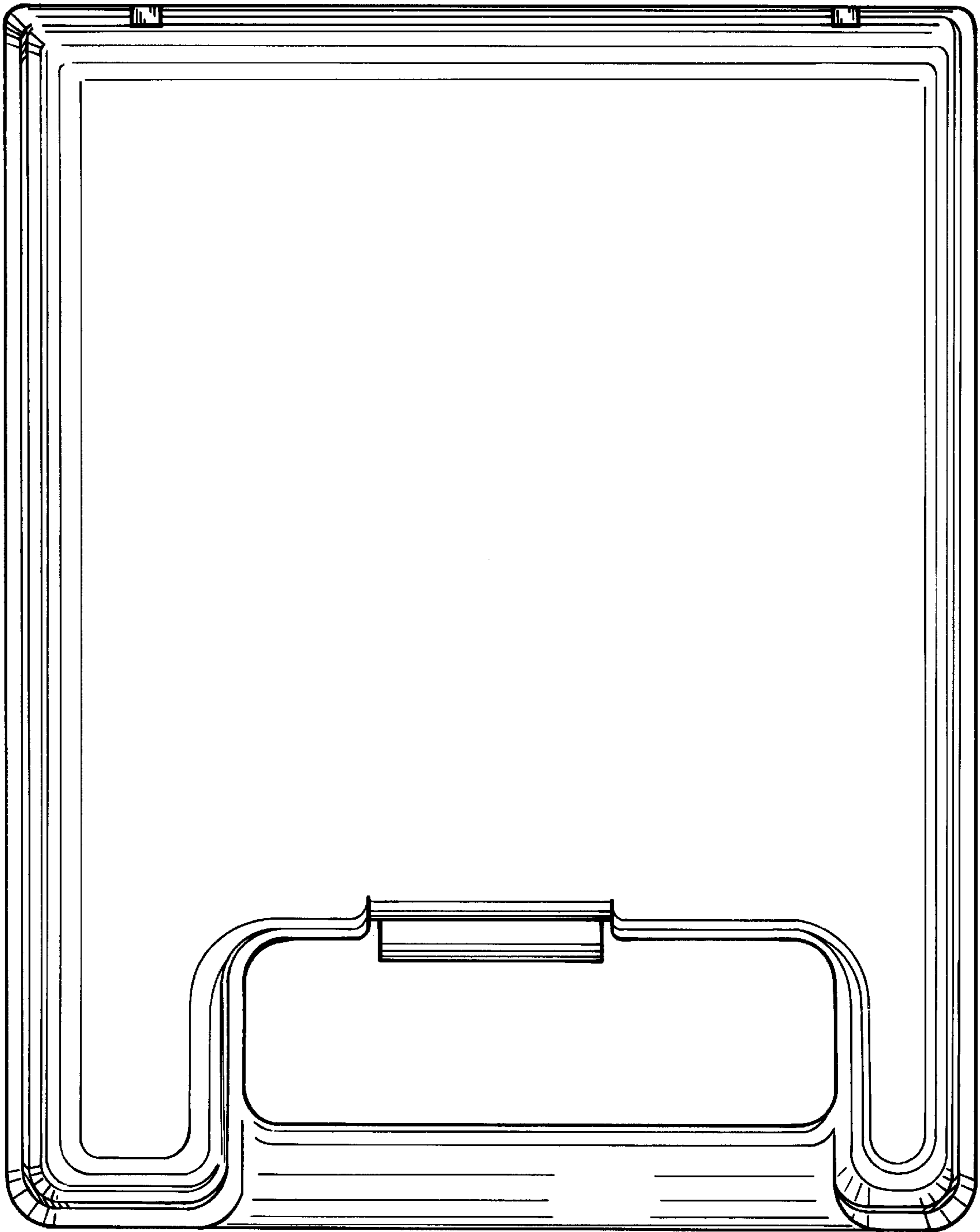


FIG. 7

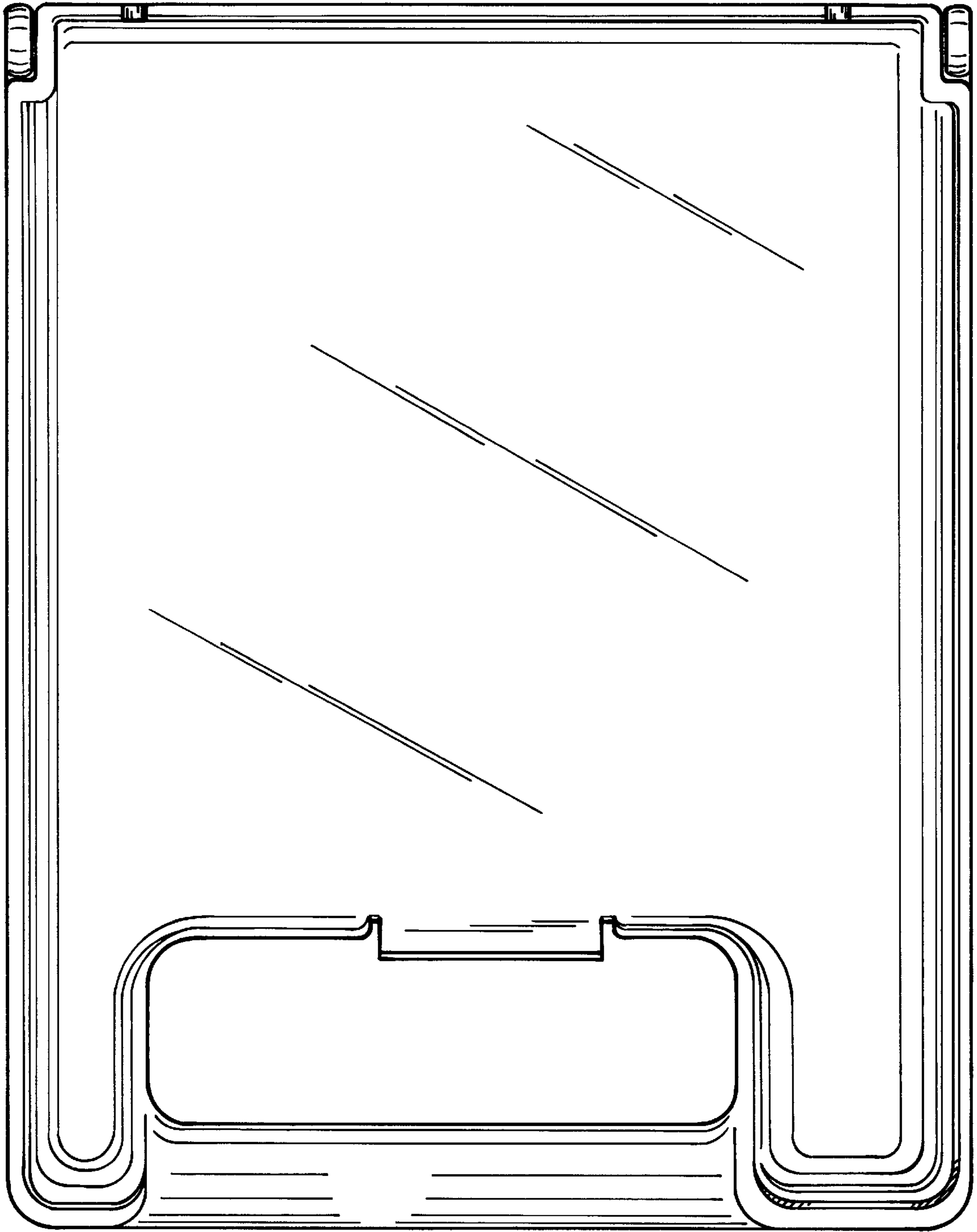


FIG. 8