



US00D425912S

**United States Patent** [19]  
**Poon**

[11] **Patent Number: Des. 425,912**

[45] **Date of Patent: \*\* May 30, 2000**

[54] **RECHARGEABLE AIR PUMP**

[75] Inventor: **Tit Wing Poon**, Shatin, China

[73] Assignee: **Flying Dragon Development Ltd.**,  
Shatin, The Hong Kong Special  
Administrative Region of the People's  
Republic of China

[\*\*] Term: **14 Years**

[21] Appl. No.: **29/107,404**

[22] Filed: **Jul. 2, 1999**

[51] **LOC (7) Cl.** ..... **15-02**

[52] **U.S. Cl.** ..... **D15/7**

[58] **Field of Search** ..... D15/7-9; D23/231-233,  
D23/225; 141/18, 19; 152/449; 137/723;  
D21/59; D32/212; 417/410.4

[56] **References Cited**

**U.S. PATENT DOCUMENTS**

D. 384,081	9/1997	Wang	.....	D15/7
D. 391,969	3/1998	Poon	.....	D15/7
D. 395,317	6/1998	Karlsson et al.	.....	D15/7

*Primary Examiner*—Ralf Seifert

*Attorney, Agent, or Firm*—Alix, Yale & Ristas, LLP

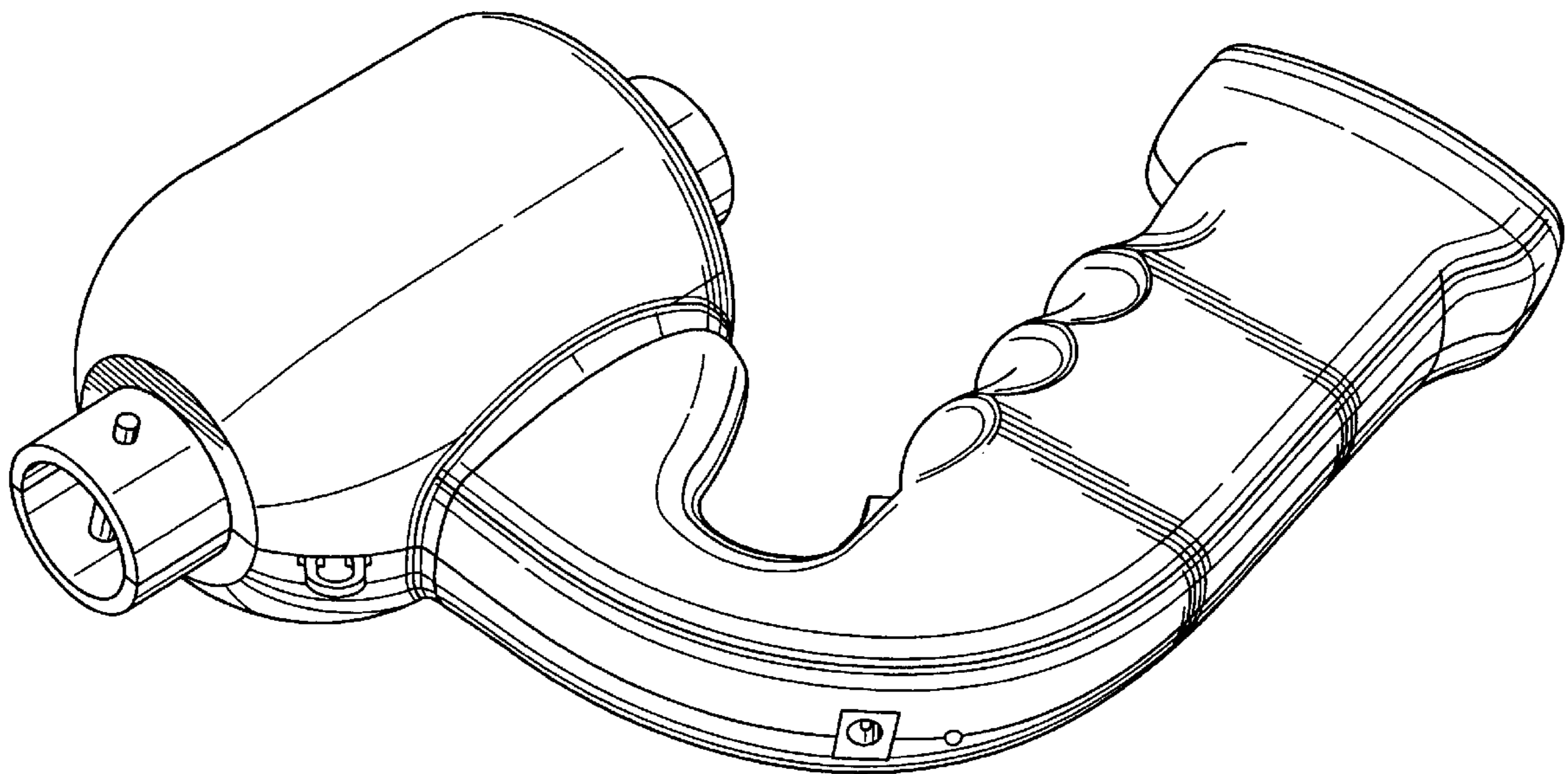
[57] **CLAIM**

The ornamental design for a rechargeable air pump, as shown and described.

**DESCRIPTION**

FIG. 1 is a front perspective view of the rechargeable air pump showing my new design;  
 FIG. 2 is a front perspective view, portions being positioned in an alternative configuration, of the rechargeable air pump of FIG. 1;  
 FIG. 3 is a front elevational view of the rechargeable air pump of FIG. 1;  
 FIG. 4 is a rear elevational view of the rechargeable air pump of FIG. 1;  
 FIG. 5 is a top plan view of the rechargeable air pump of FIG. 1;  
 FIG. 6 is a bottom plan view of the rechargeable air pump of FIG. 1;  
 FIG. 7 is a left side elevational view of the rechargeable air pump of FIG. 1; and,  
 FIG. 8 is a right side elevational view of the rechargeable air pump of FIG. 1.

**1 Claim, 5 Drawing Sheets**



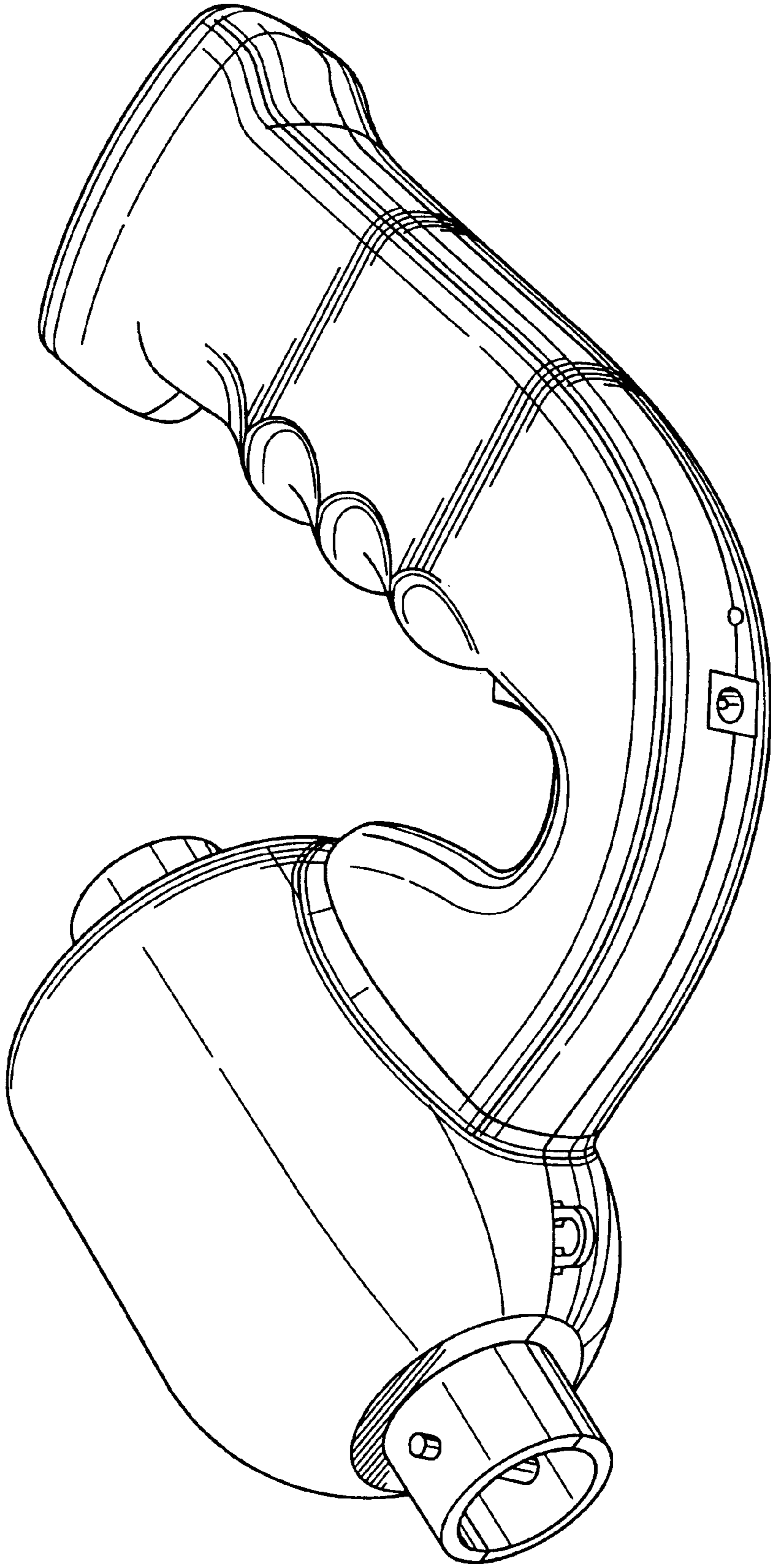


FIG. 1

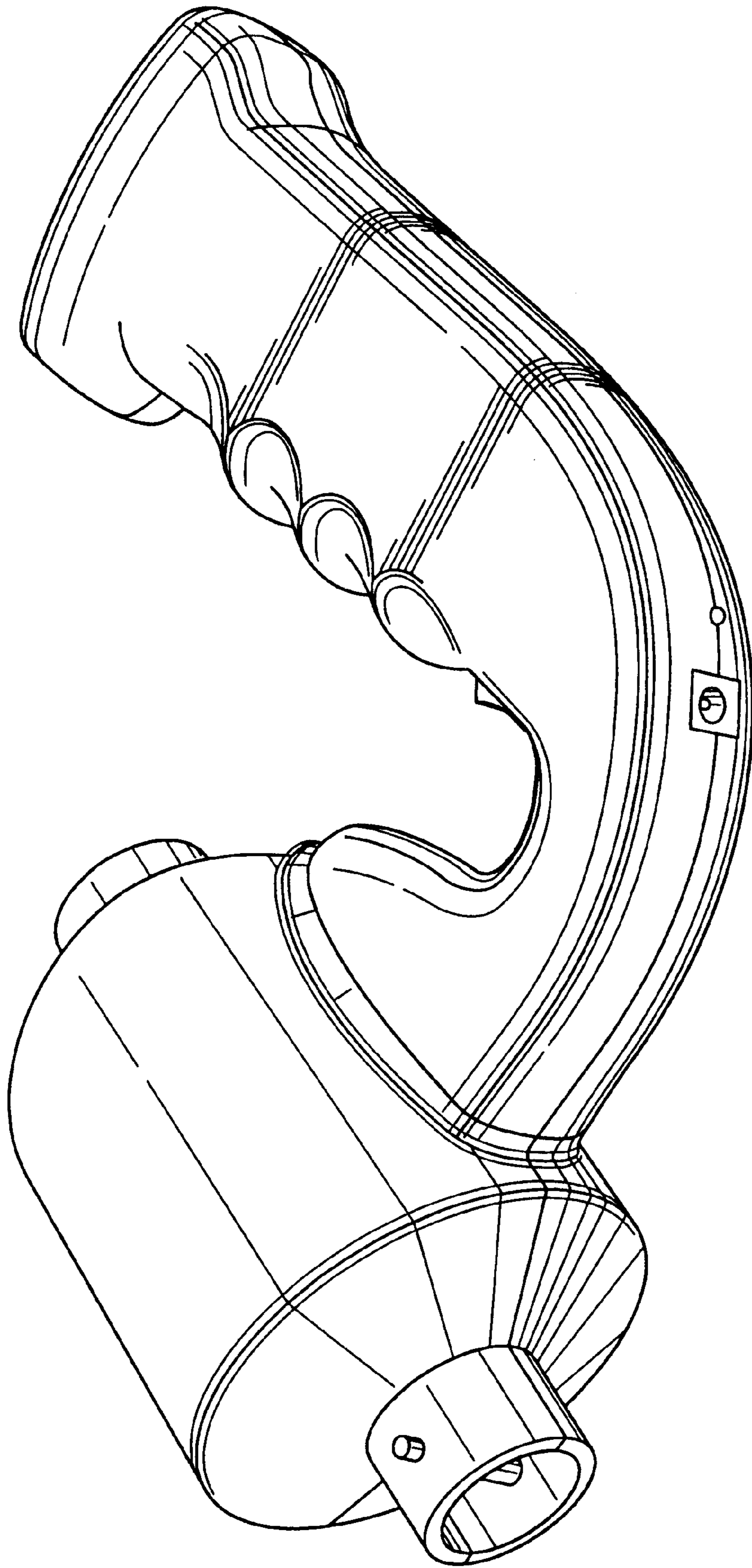


FIG. 2

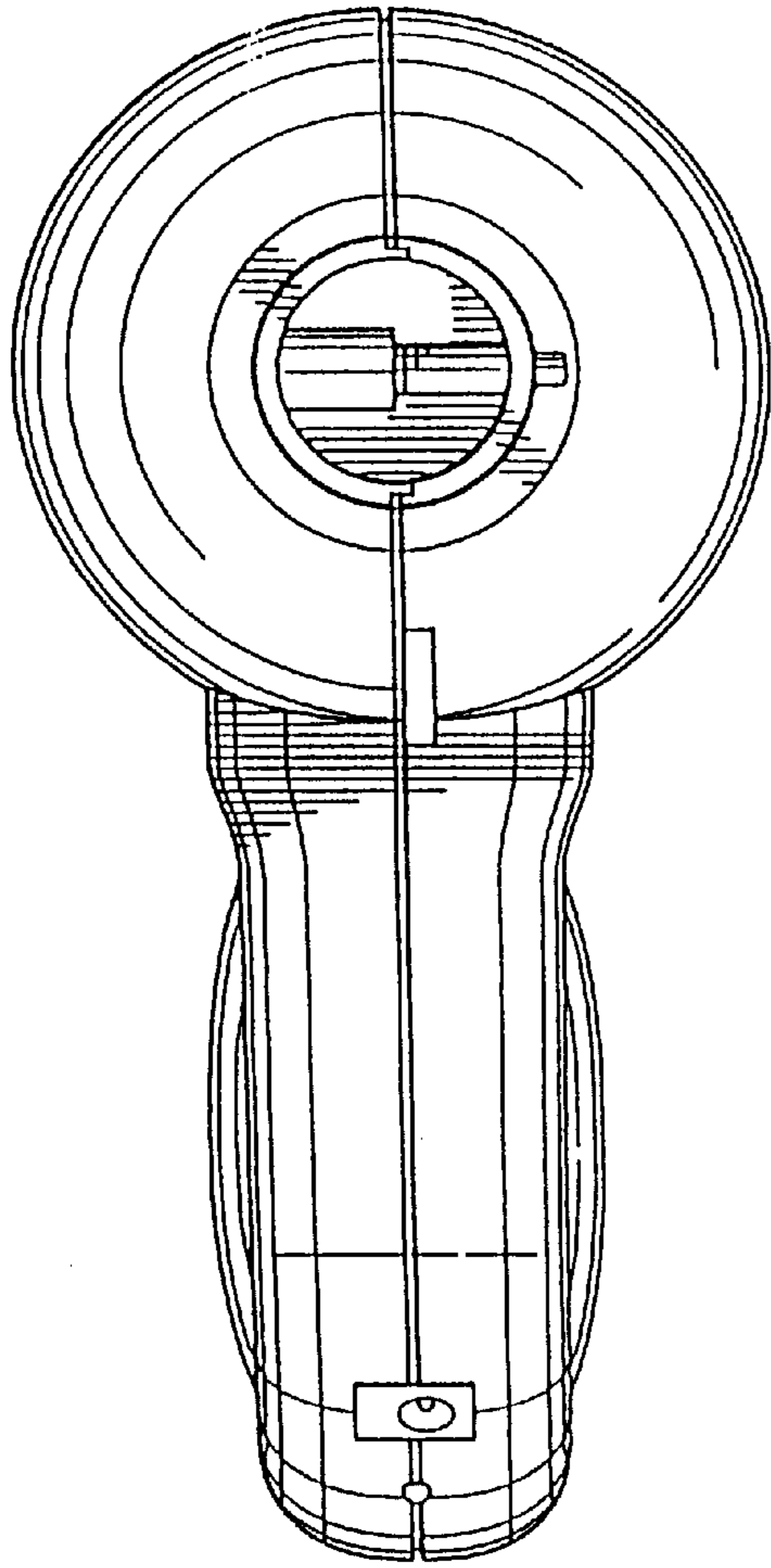


FIG. 3

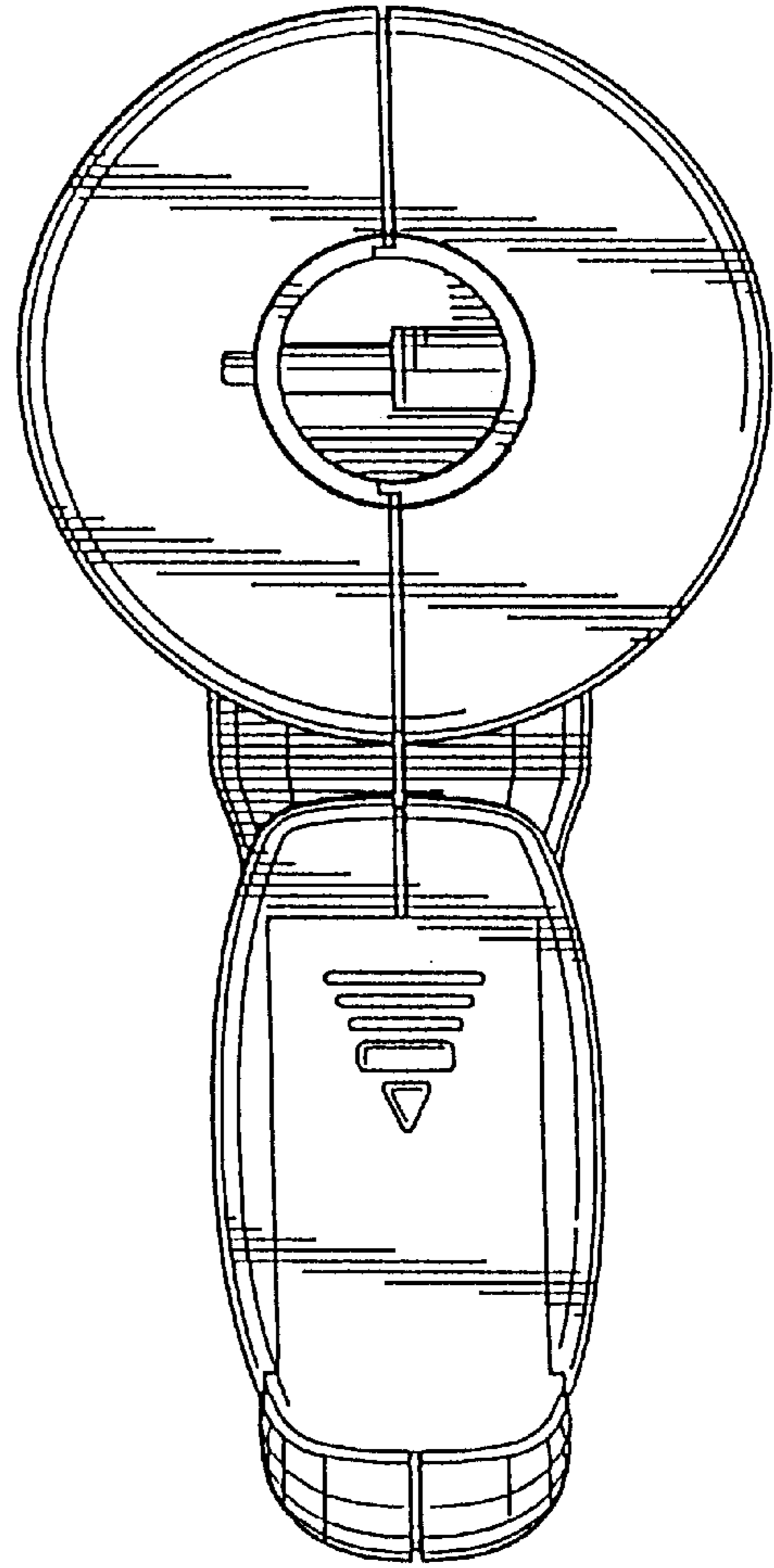


FIG. 4

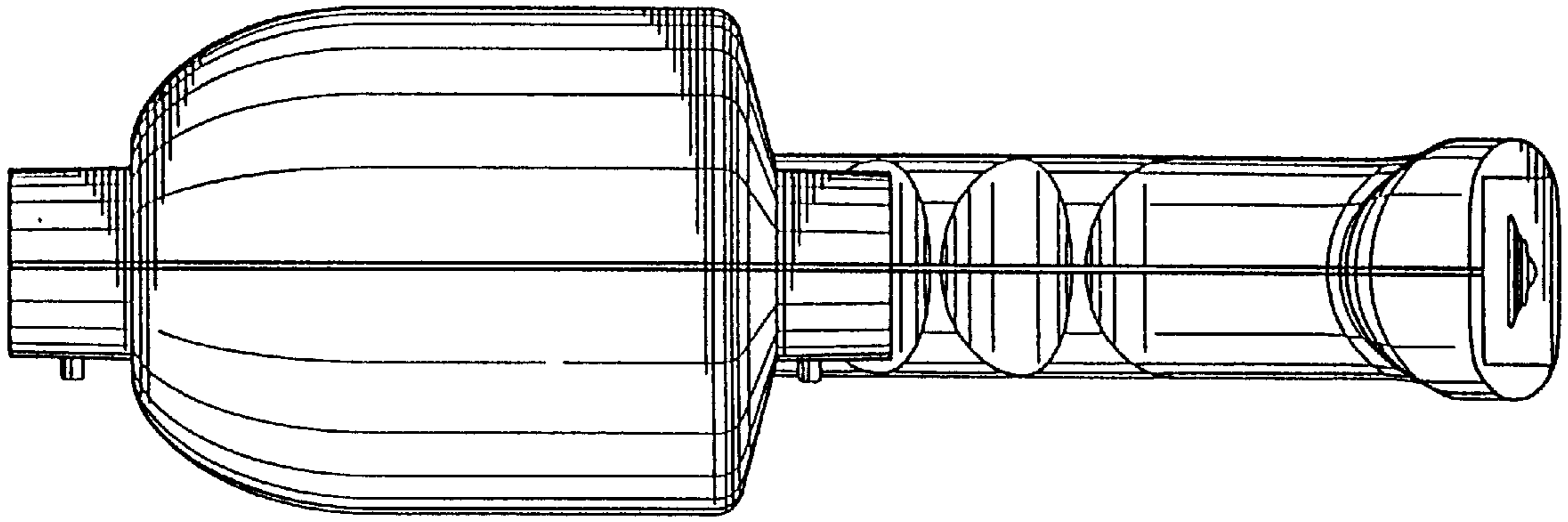


FIG. 5

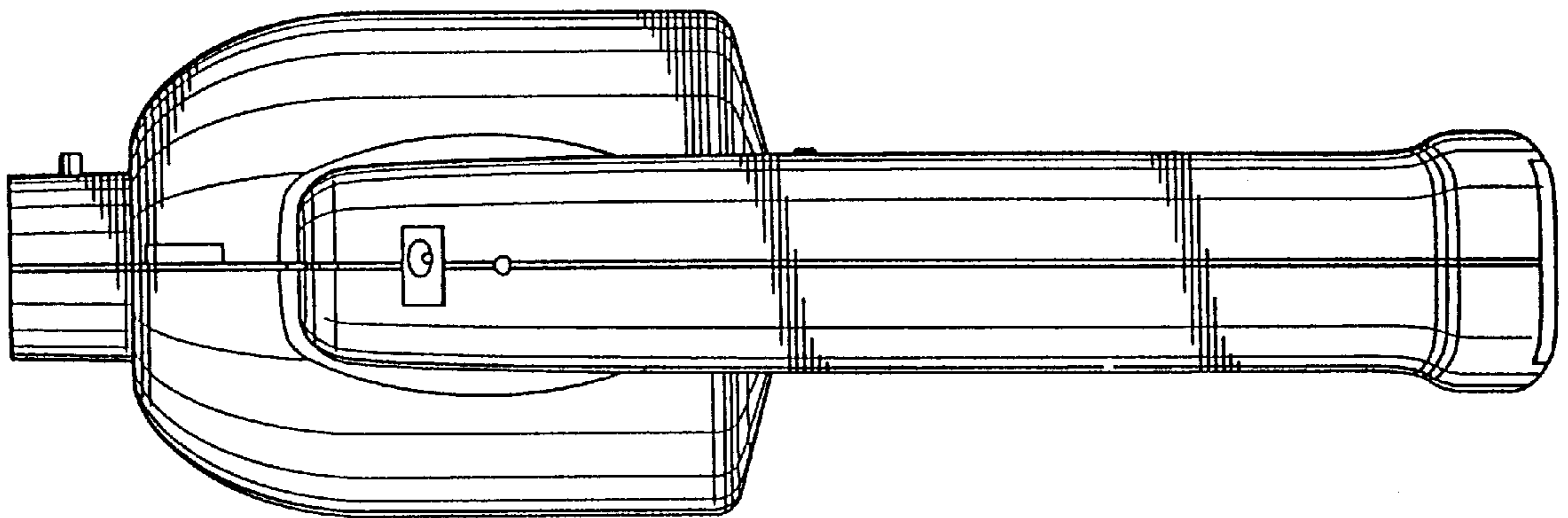


FIG. 6

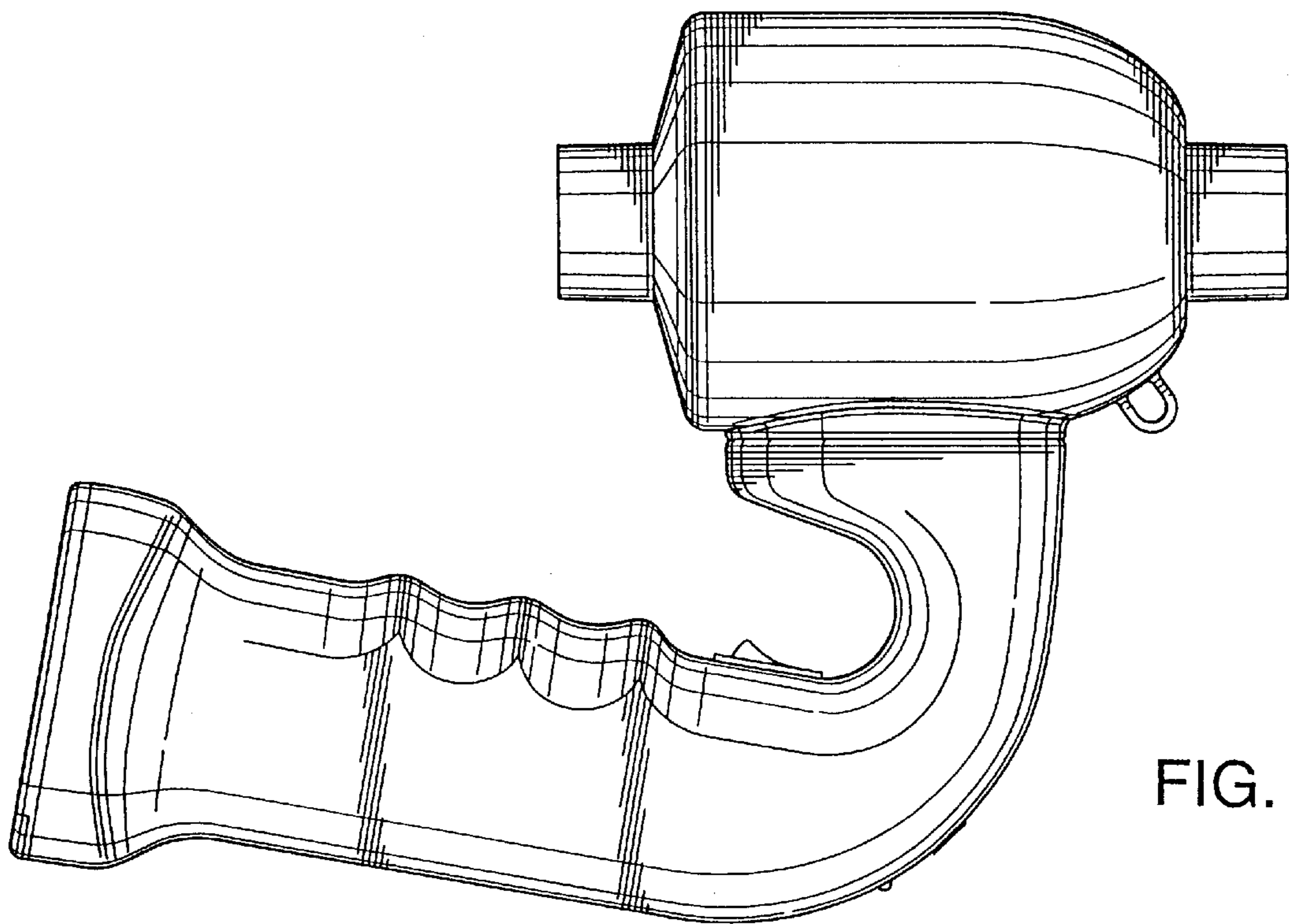


FIG. 7

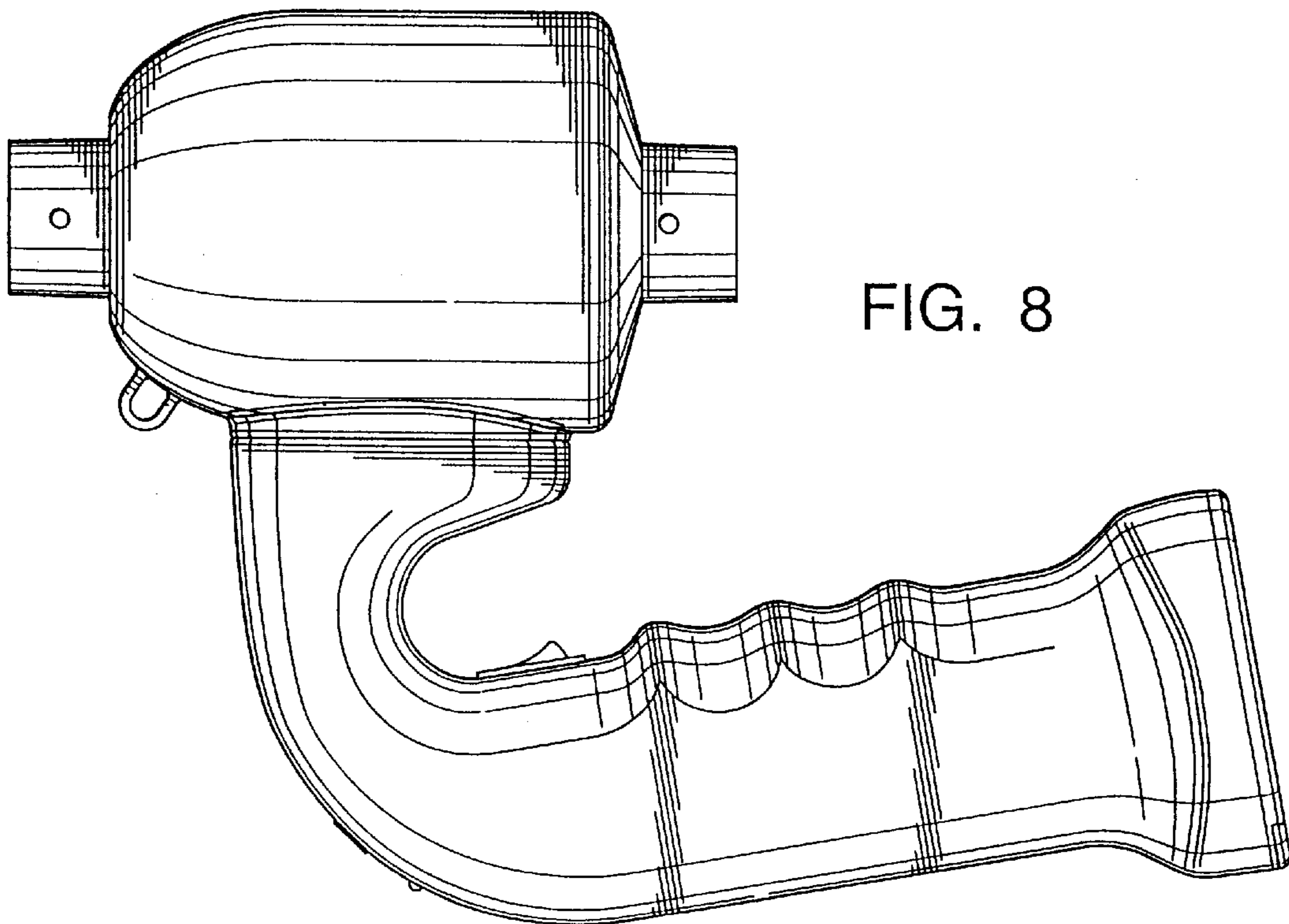


FIG. 8