



US00D425911S

United States Patent [19]

[11] Patent Number: **Des. 425,911**

Fleischer et al.

[45] Date of Patent: **** May 30, 2000**

[54] **PUMP**

[75] Inventors: **Gene S. Fleischer**, New City, N.Y.;
Fred T. Hazlehurst, Union, N.J.;
Abraham Leibson, New Hope, Pa.

[73] Assignee: **H-Tech, Inc.**, Wilmington, Del.

[**] Term: **14 Years**

[21] Appl. No.: **29/104,792**

[22] Filed: **May 12, 1999**

[51] **LOC (7) Cl.** **15-02**

[52] **U.S. Cl.** **D15/7**

[58] **Field of Search** D15/7, 9; 416/40;
401/146, 196, 197; 366/605; 417/234-38,
68, 69, 223.15

[56] **References Cited**

U.S. PATENT DOCUMENTS

D. 101,994	11/1936	Lattner .	
D. 113,846	3/1939	Karstadt .	
D. 165,225	11/1951	Goodman .	
D. 283,224	4/1986	Lametto et al.	D15/7
D. 284,380	6/1986	Berg et al.	D15/7
D. 299,143	12/1988	Hazlehurst .	
D. 335,292	5/1993	Schnell	D15/7
D. 338,208	8/1993	Reents	D15/7
D. 339,143	9/1993	Whitley, II	D15/7
D. 365,107	12/1995	Ward	D15/7
D. 391,969	3/1998	Poon .	

Primary Examiner—Ralf Seifert
Attorney, Agent, or Firm—Selitto & Associates

[57] **CLAIM**

The ornamental design for a pump, as shown.

DESCRIPTION

FIG. 1 is a perspective view of a pump showing our design; FIG. 2 is a front elevational view of the pump shown in FIG. 1; FIG. 3 is a rear elevational view of the pump shown in FIG. 1; FIG. 4 is a right side elevational view of the pump shown in FIG. 1; FIG. 5 is a left side elevational view of the pump shown in FIG. 1; FIG. 6 is a top plan view of the pump shown in FIG. 1; FIG. 7 is a bottom plan view of the pump shown in FIG. 1; FIG. 8 is a perspective view of an alternate pump design; FIG. 9 is a front elevational view of the pump shown in FIG. 8; FIG. 10 is a rear elevational view of the pump shown in FIG. 8; FIG. 11 is a right side elevational view of the pump shown in FIG. 8; FIG. 12 is a left side elevational view of the pump shown in FIG. 8; FIG. 13 is a top plan view of the pump shown in FIG. 8; and, FIG. 14 is a bottom plan view of the pump shown in FIG. 8.

1 Claim, 8 Drawing Sheets

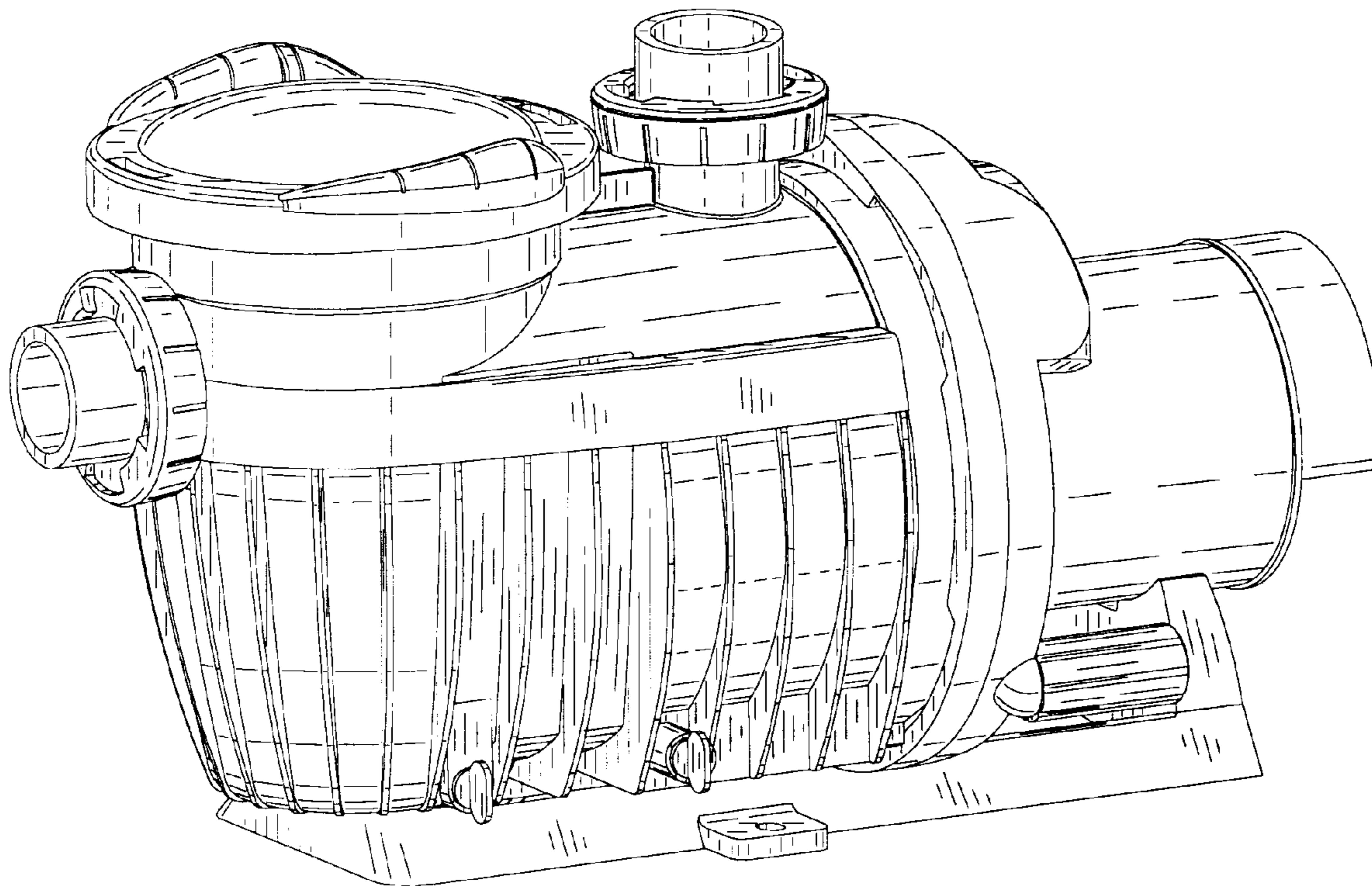


FIG. 1

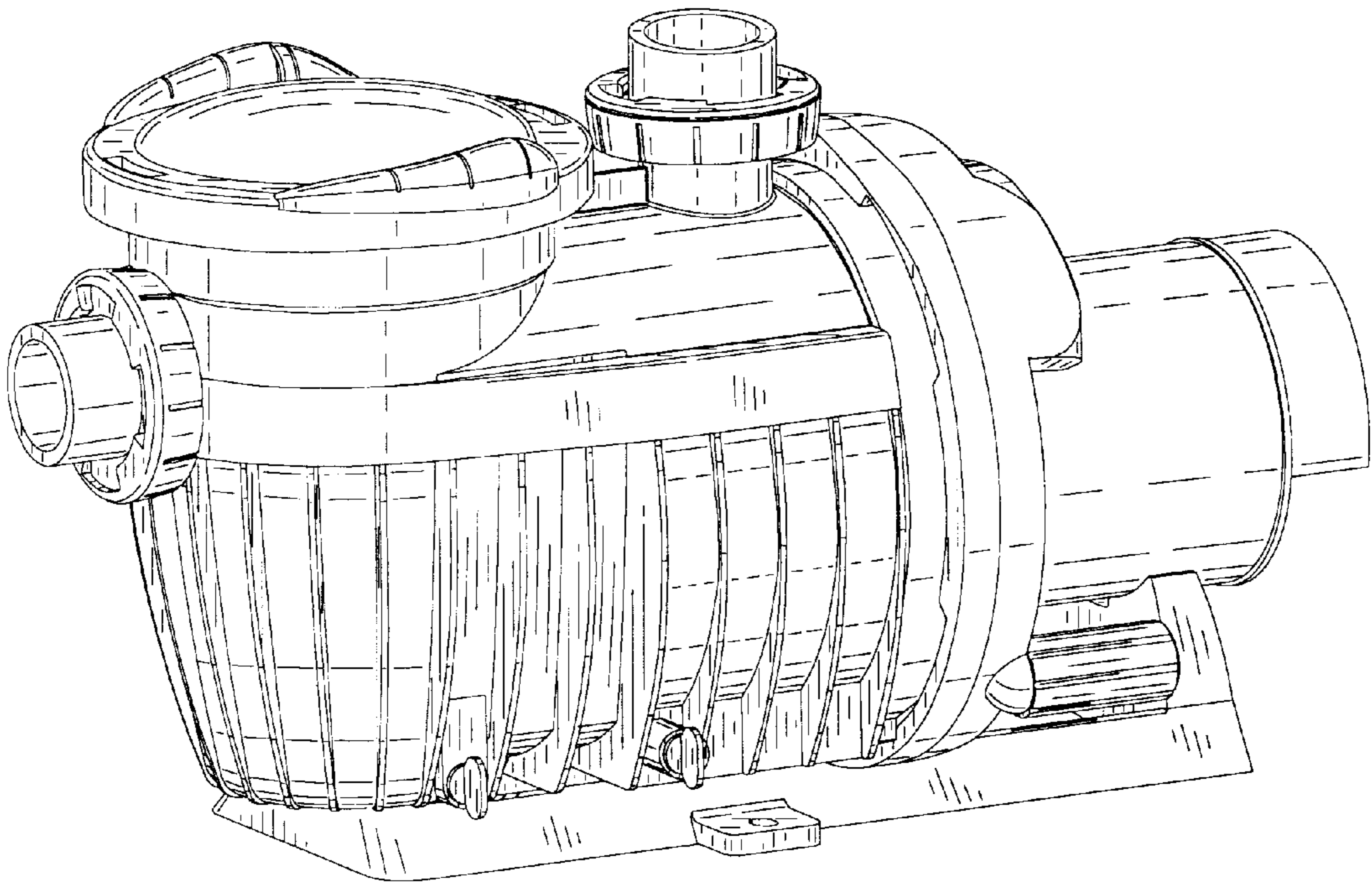


FIG. 2

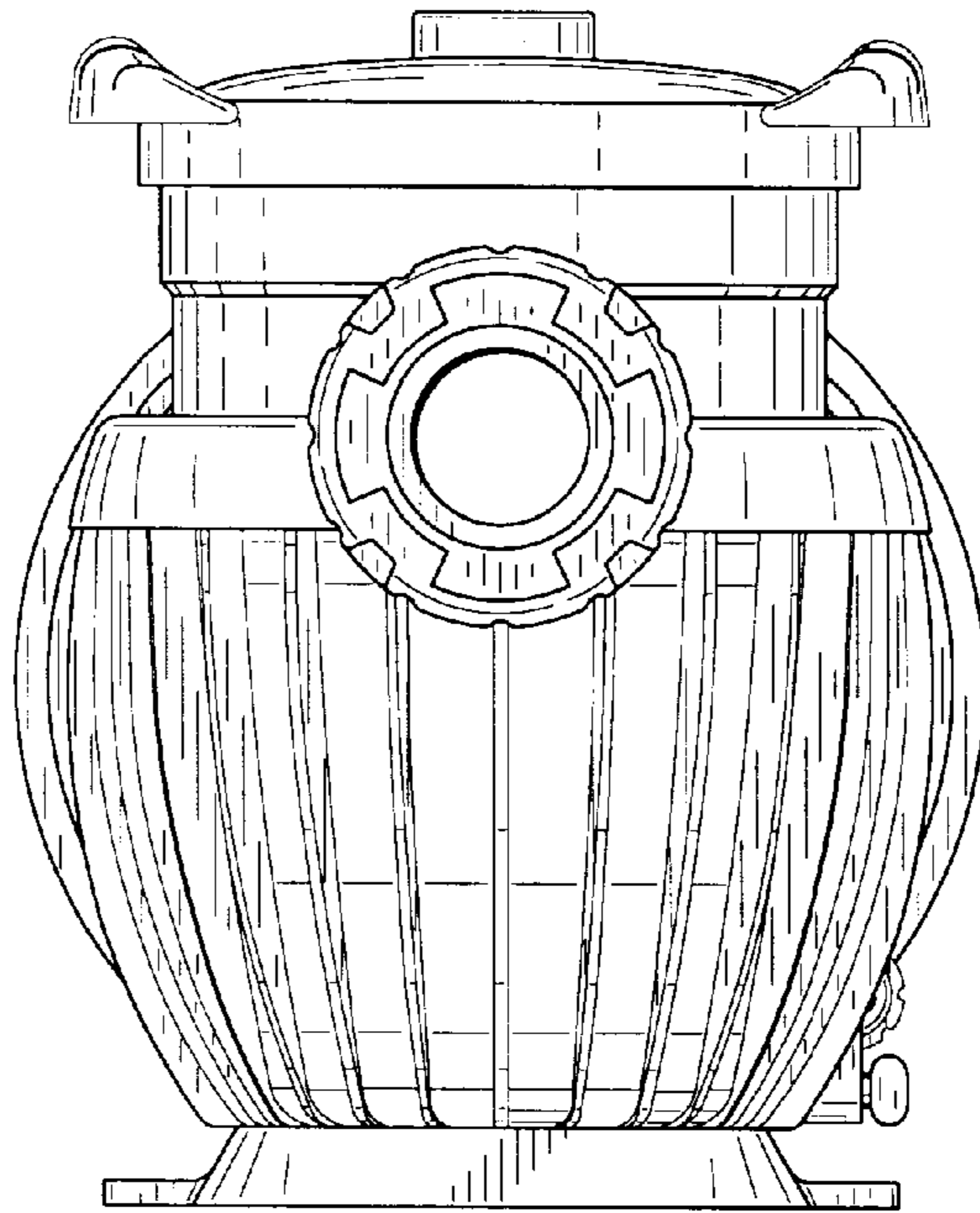


FIG. 3

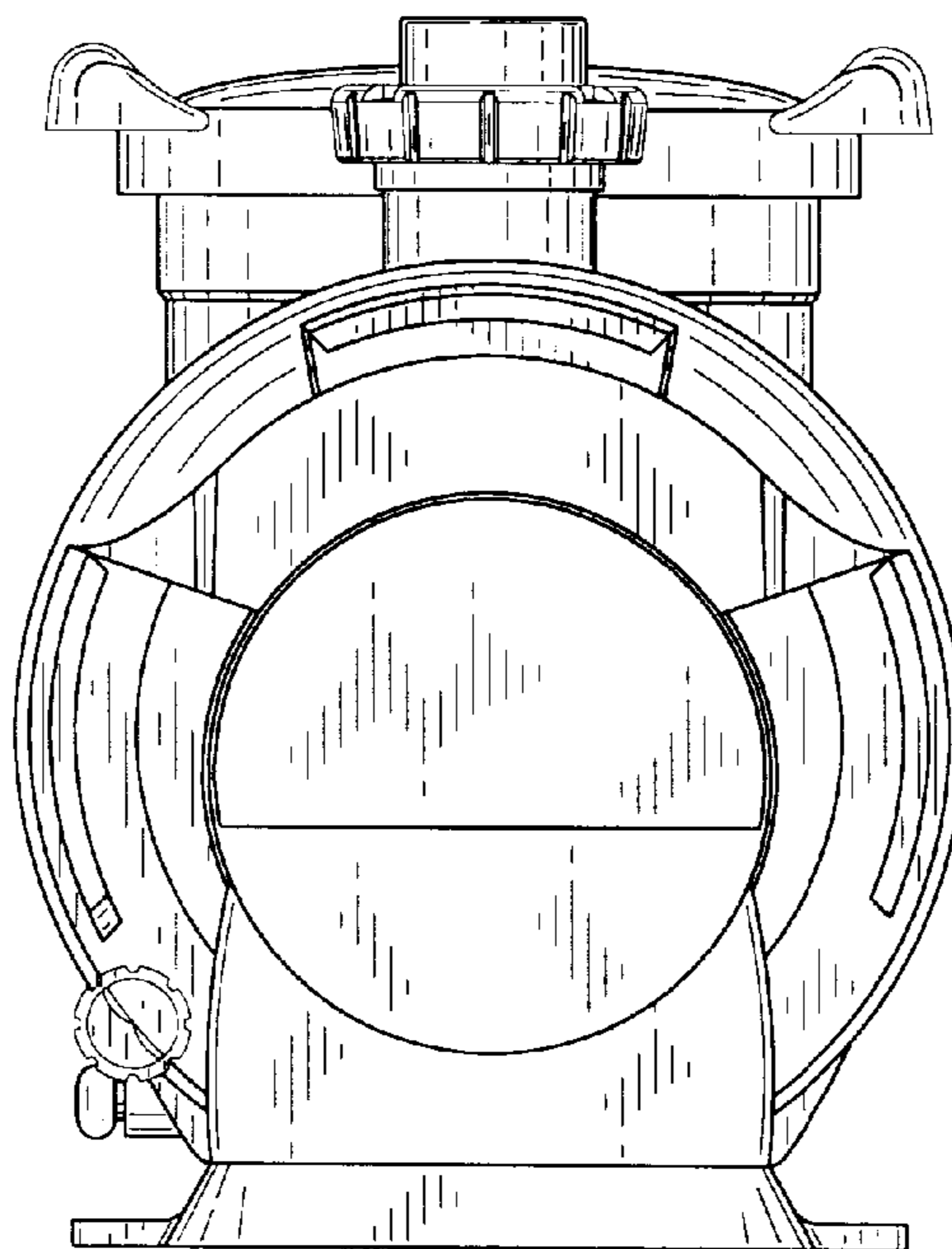


FIG. 4

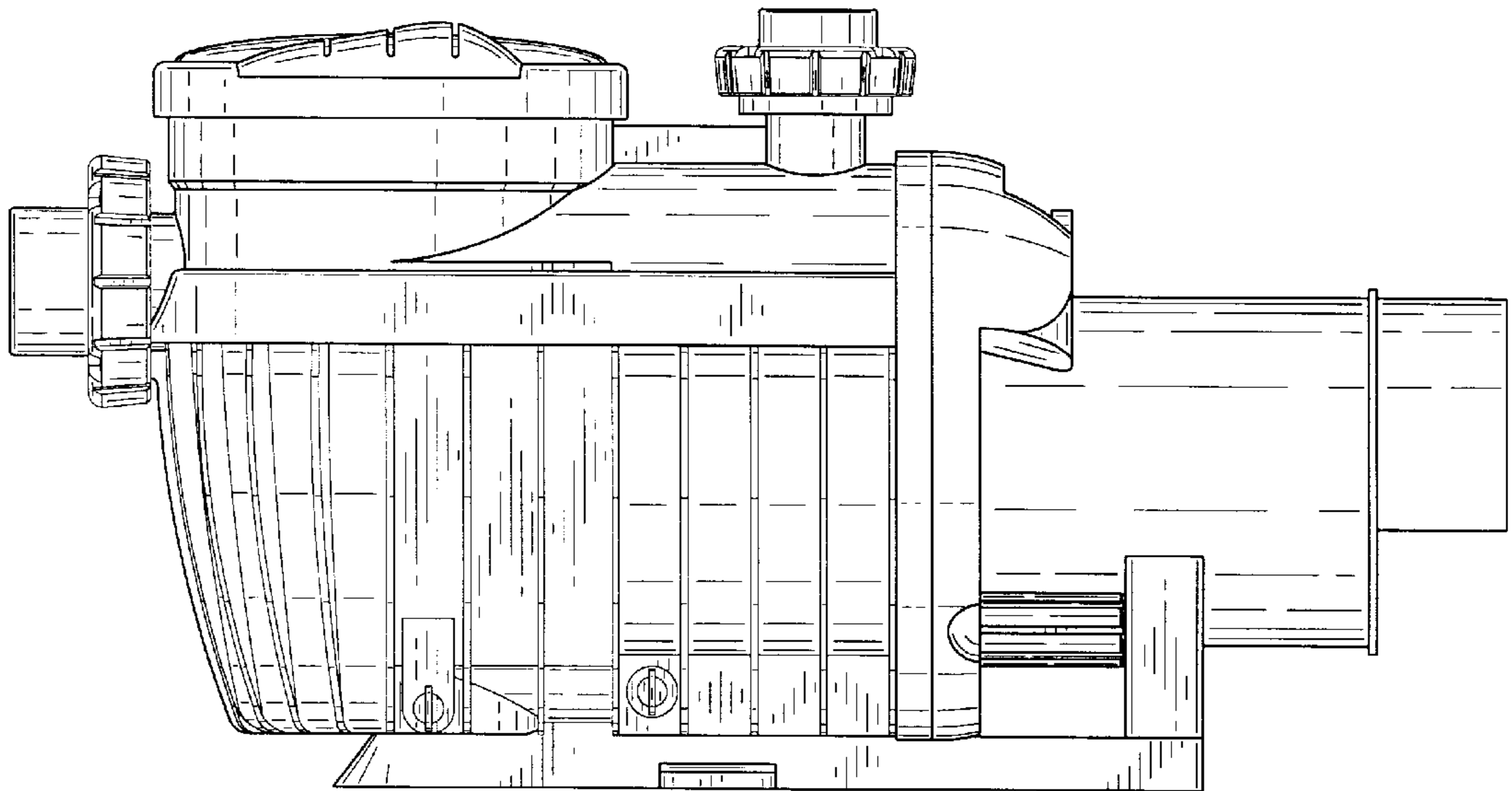


FIG. 5

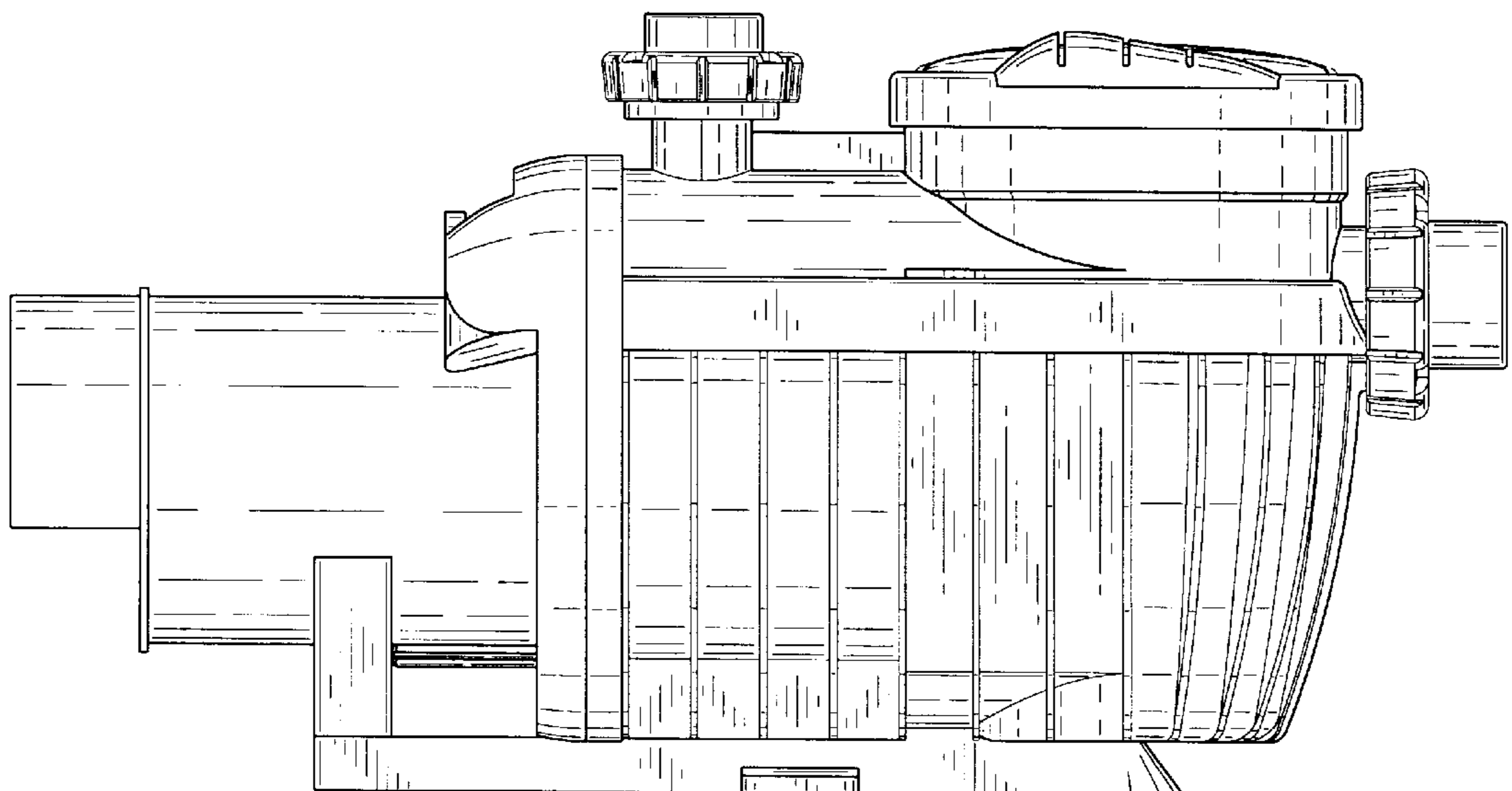


FIG. 6

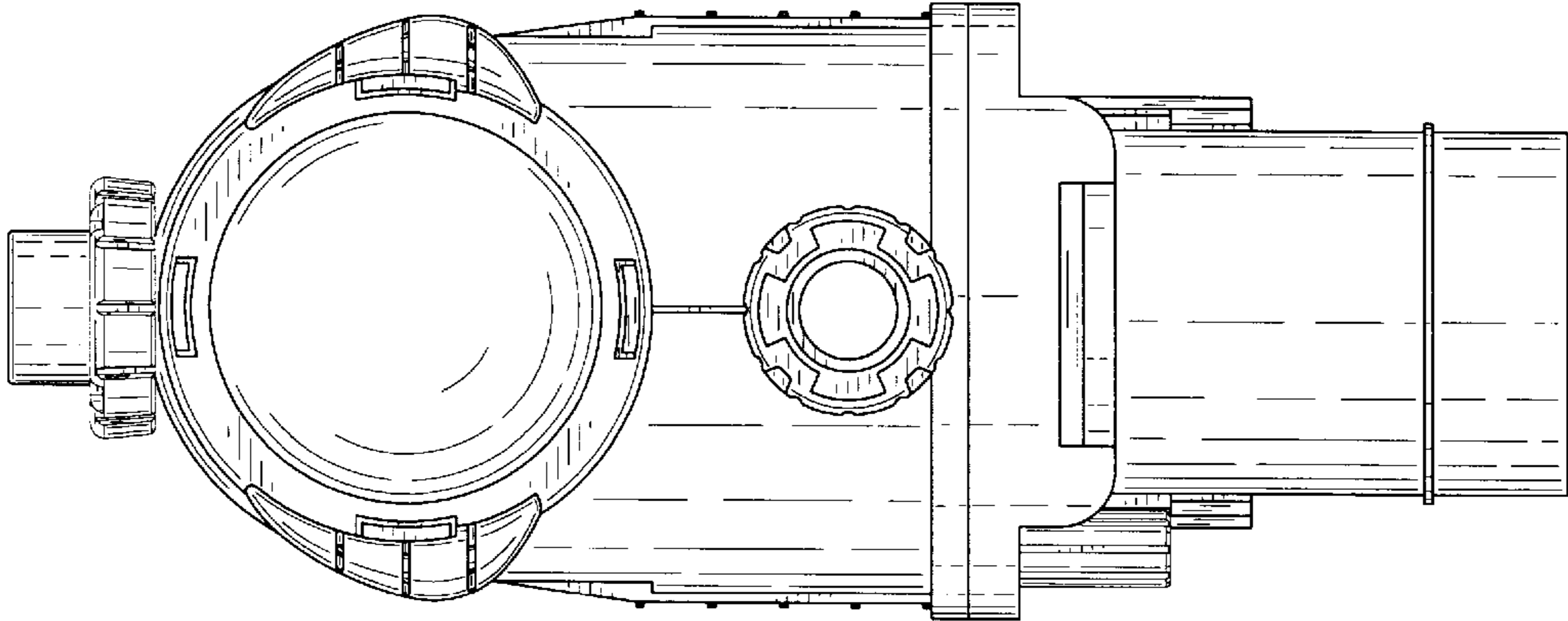


FIG. 7

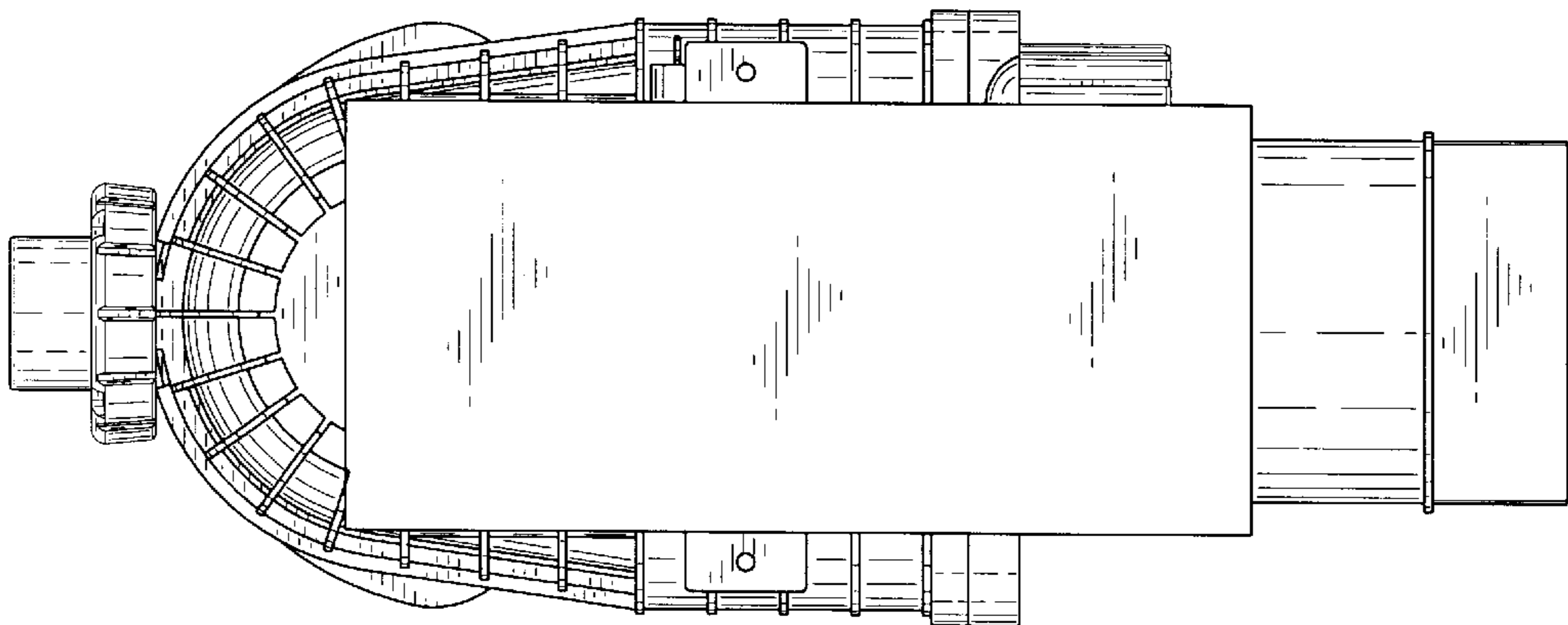


FIG. 8

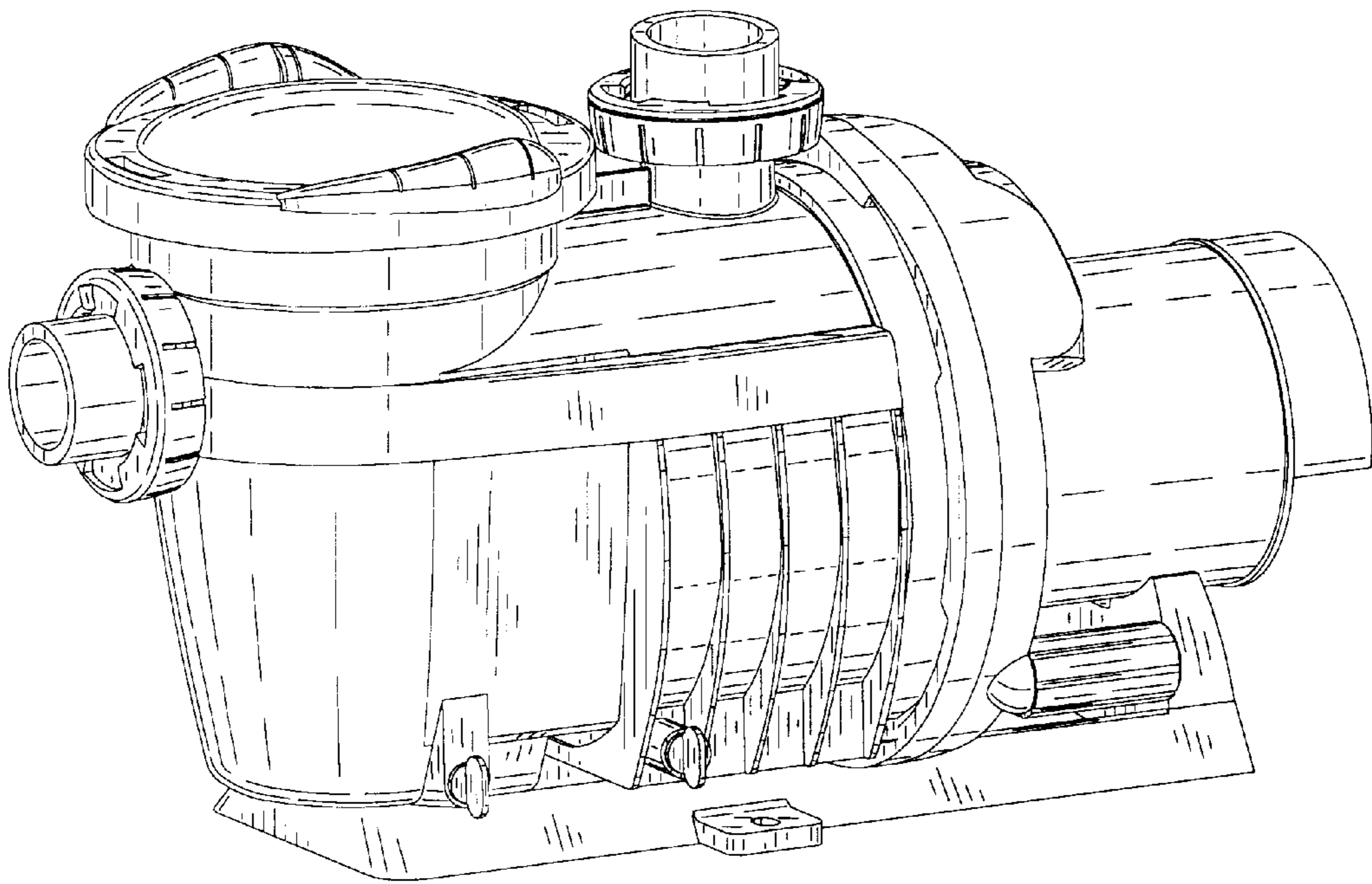


FIG. 9

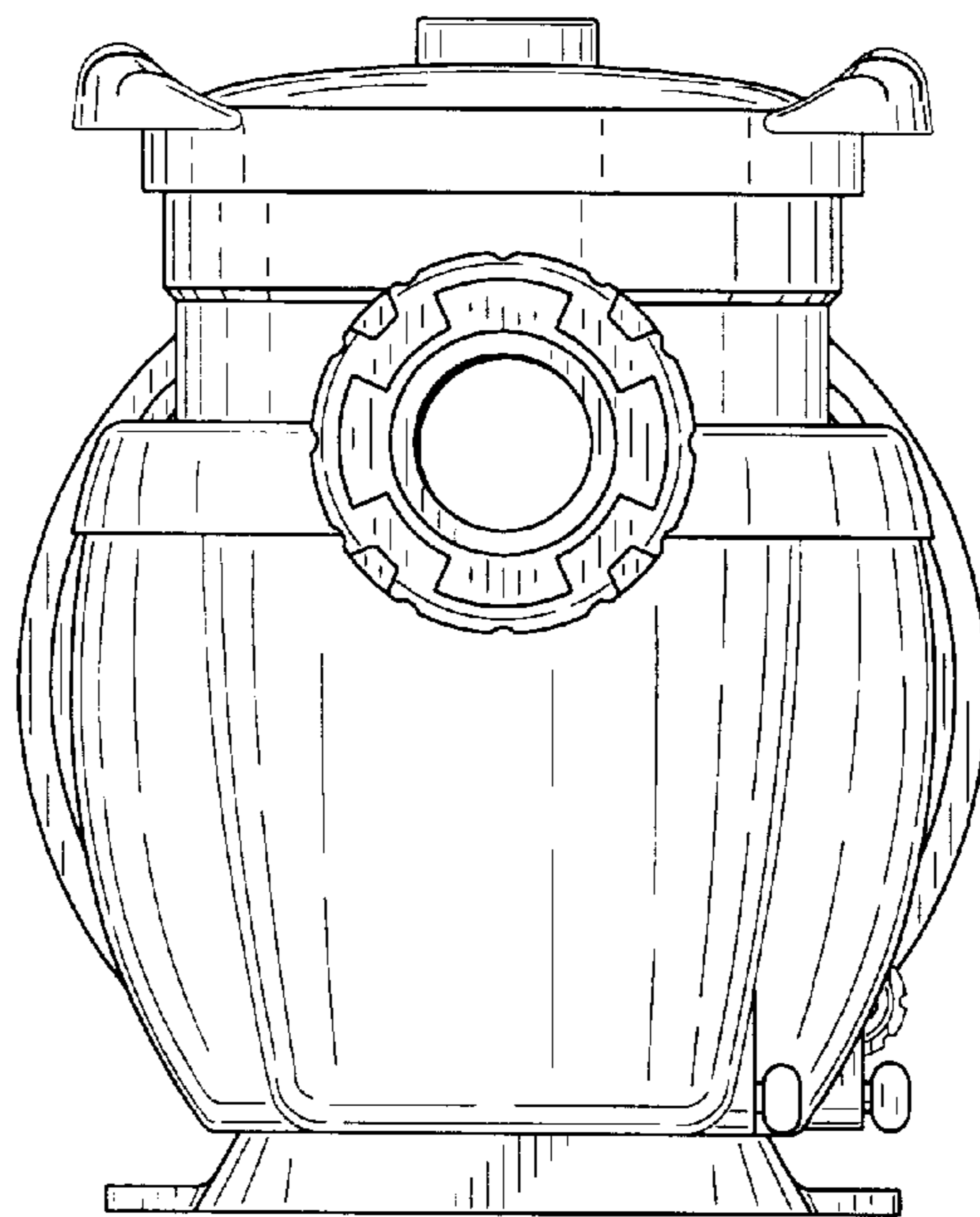


FIG. 10

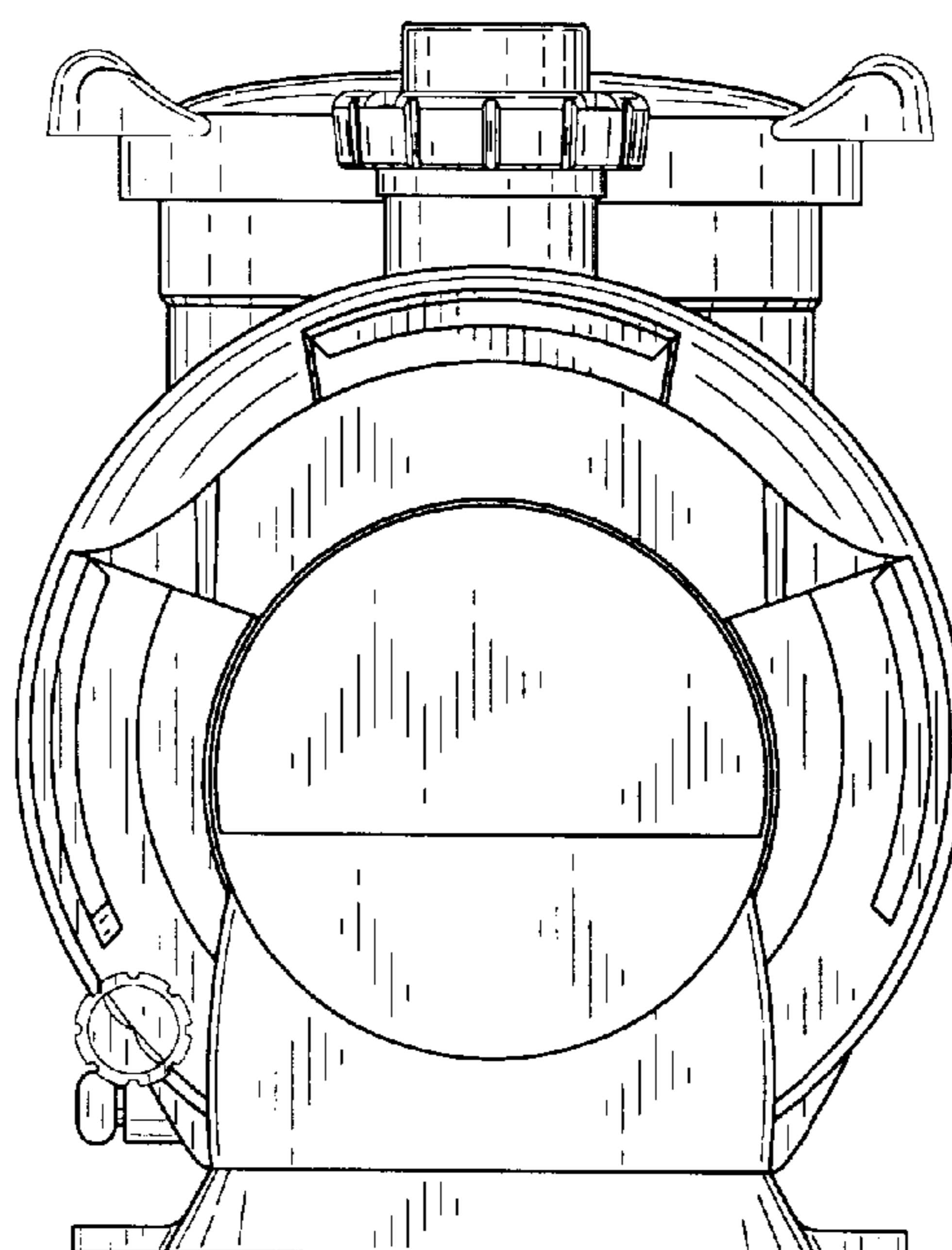


FIG. 11

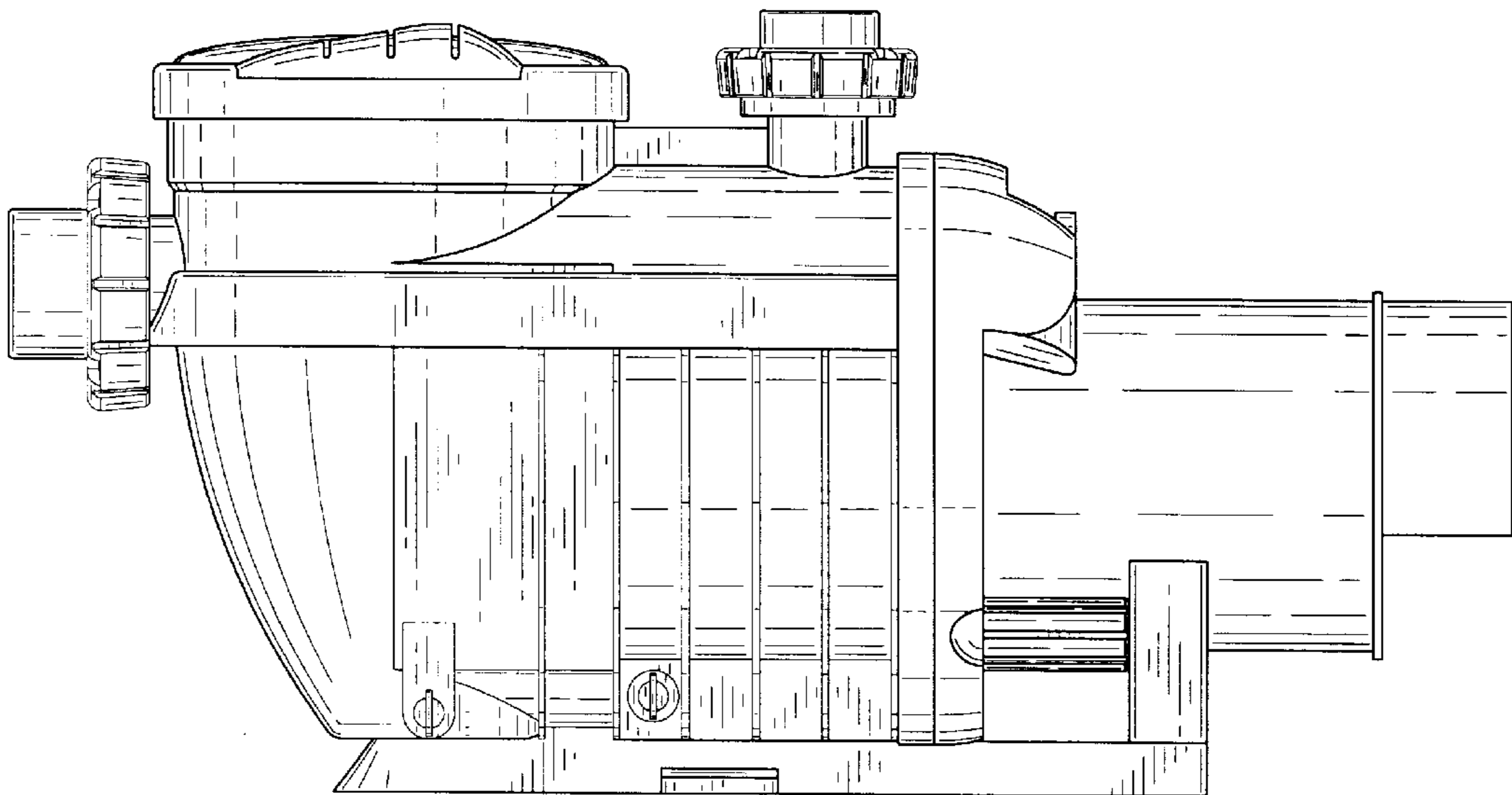


FIG. 12

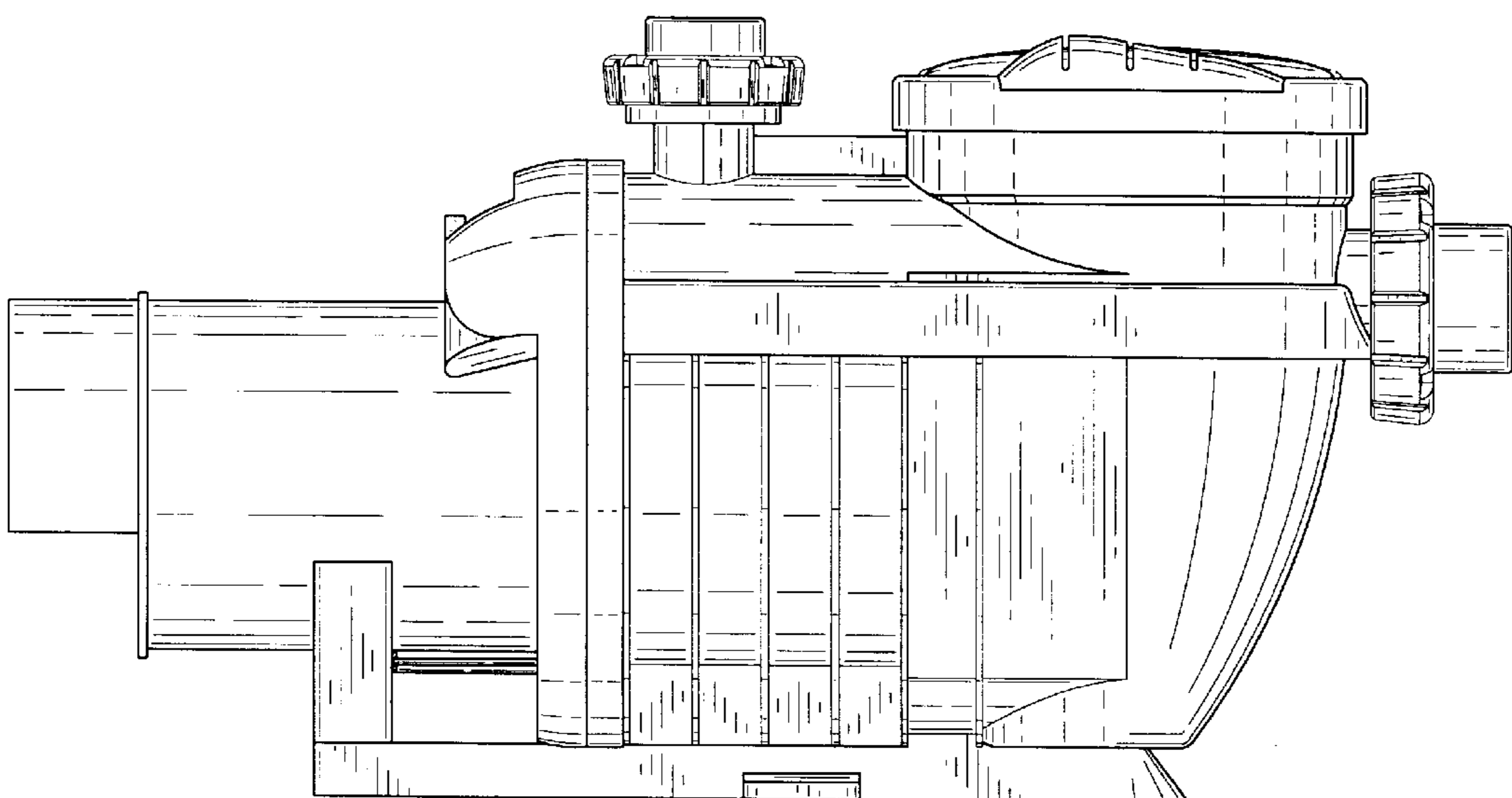


FIG. 13

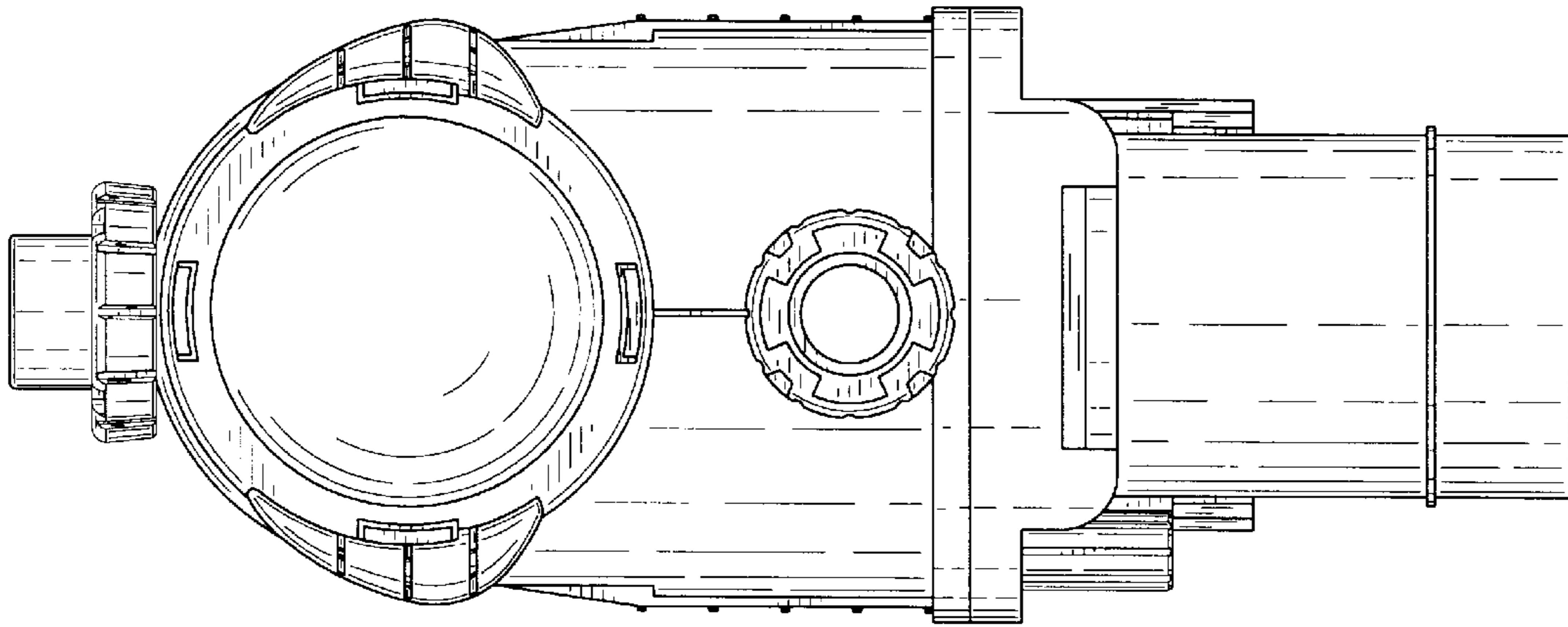


FIG. 14

