



US00D425905S

United States Patent [19]
Finkbeiner

[11] **Patent Number: Des. 425,905**

[45] **Date of Patent: ** May 30, 2000**

[54] **COVER WITH A POCKETCLIP FOR A TELEPHONE HANDSET**

[75] Inventor: **Tanja Finkbeiner**, Los Angeles, Calif.

[73] Assignee: **Nokia Mobile Phones, Ltd.**, Espoo, Finland

[**] Term: **14 Years**

[21] Appl. No.: **29/104,100**

[22] Filed: **Apr. 28, 1999**

[51] **LOC (7) Cl.** **14-03**

[52] **U.S. Cl.** **D14/248; D3/218**

[58] **Field of Search** D14/137, 218, D14/138, 144, 147-148, 247-249, 140-142, 250, 240, 100, 115; 379/433, 434, 419, 420, 428, 440, 368; D13/168, 103; 455/550-575, 90; D18/2, 7; D3/218

[56] **References Cited**

U.S. PATENT DOCUMENTS

D. 346,275	4/1994	Hayasaka et al.	D3/218
D. 379,962	6/1997	Nuovo et al.	D13/103
D. 383,130	9/1997	Waldner	D14/138
D. 383,433	9/1997	Richards et al.	D13/103
D. 391,758	3/1998	Wolf et al.	D3/218
D. 392,285	3/1998	MacDonald et al.	D14/138

D. 405,784	2/1999	Phillips et al.	D14/138
D. 406,583	3/1999	Phillips et al.	D14/138
D. 406,695	3/1999	Nagele et al.	D3/218
D. 407,398	3/1999	Nuovo et al.	D14/138
D. 407,400	3/1999	Tattari	D14/138
D. 410,892	6/1999	Prior	D13/103
D. 413,857	9/1999	Peterzell et al.	D13/103
5,241,592	8/1993	Carlson et al.	379/433
5,546,457	8/1996	Tomura et al.	379/368
5,664,013	9/1997	Rossi	379/428

Primary Examiner—Jeffrey Asch
Attorney, Agent, or Firm—Perman & Green, LLP

[57] **CLAIM**

The ornamental design for a “cover with a pocketclip for a telephone handset,” as shown and described.

DESCRIPTION

FIG. 1 is a bottom plan view of a cover with a pocketclip for a telephone handset showing my new design; FIG. 2 is a front elevational view thereof; FIG. 3 is a left side view thereof; FIG. 4 is a rear elevational view thereof; FIG. 5 is a right side view thereof; FIG. 6 is a top plan view thereof; FIG. 7 is a bottom, front and right side perspective view thereof; and, FIG. 8 is a top, rear and left side perspective view thereof.

1 Claim, 5 Drawing Sheets

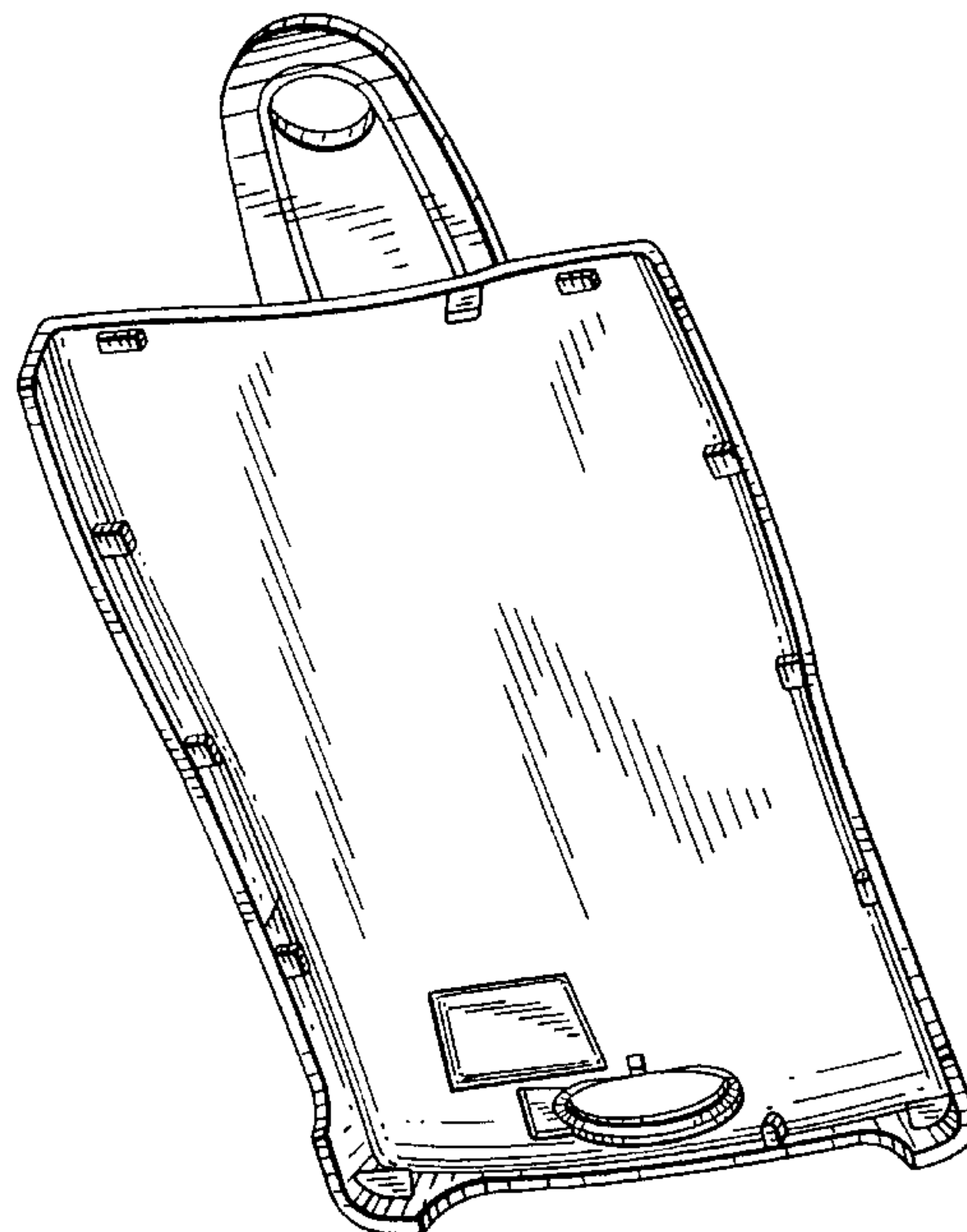
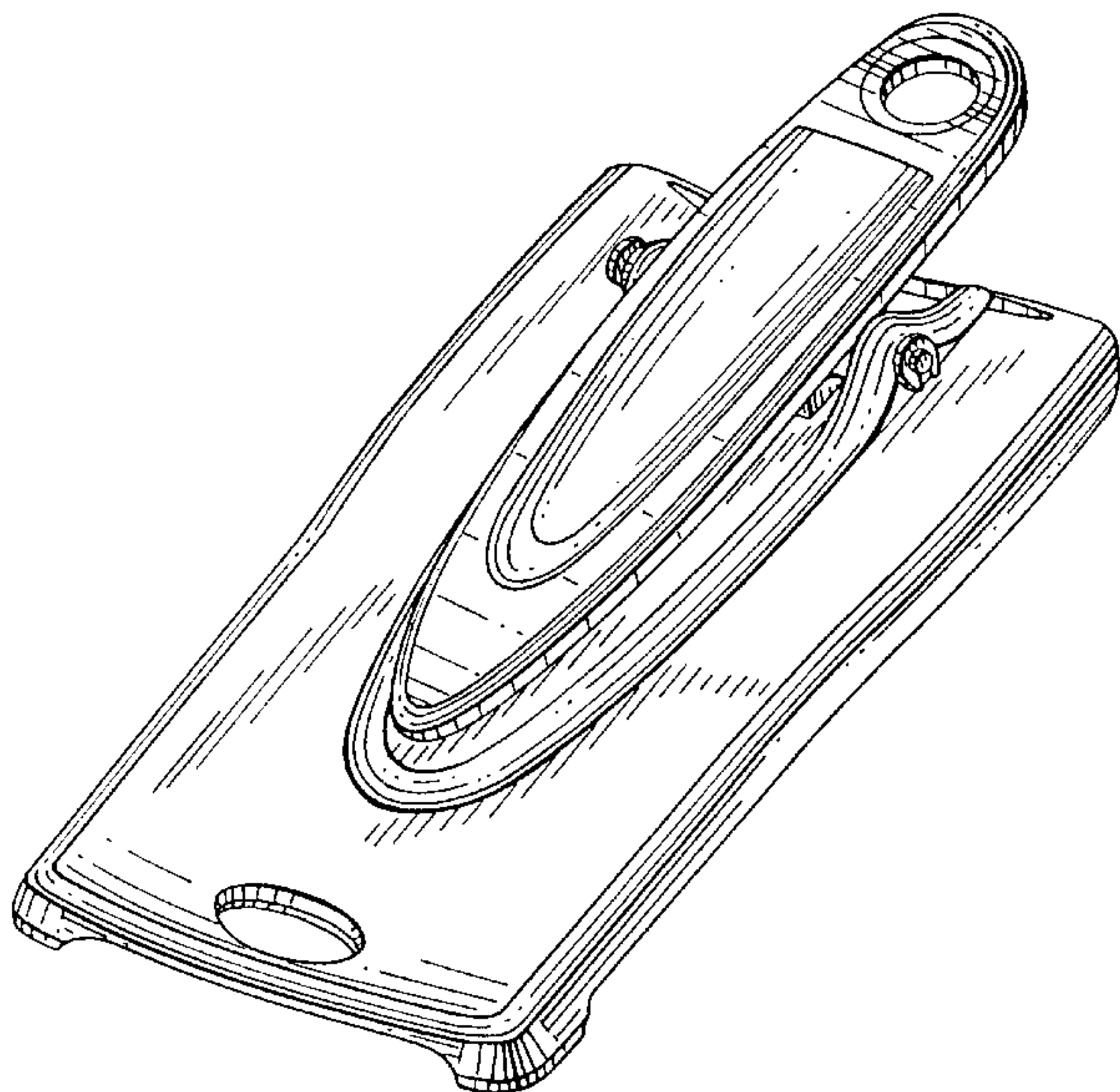


FIG. 1

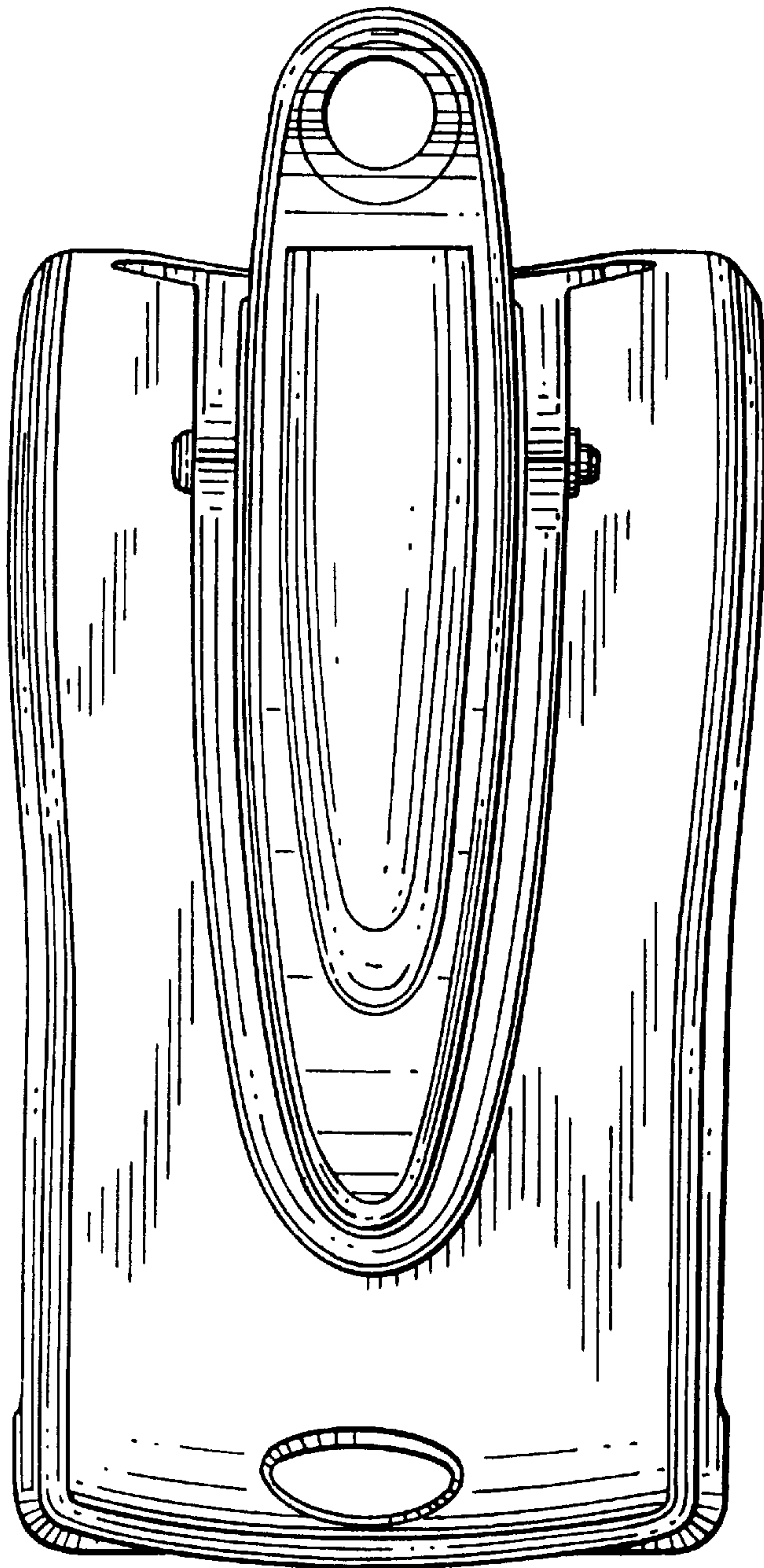
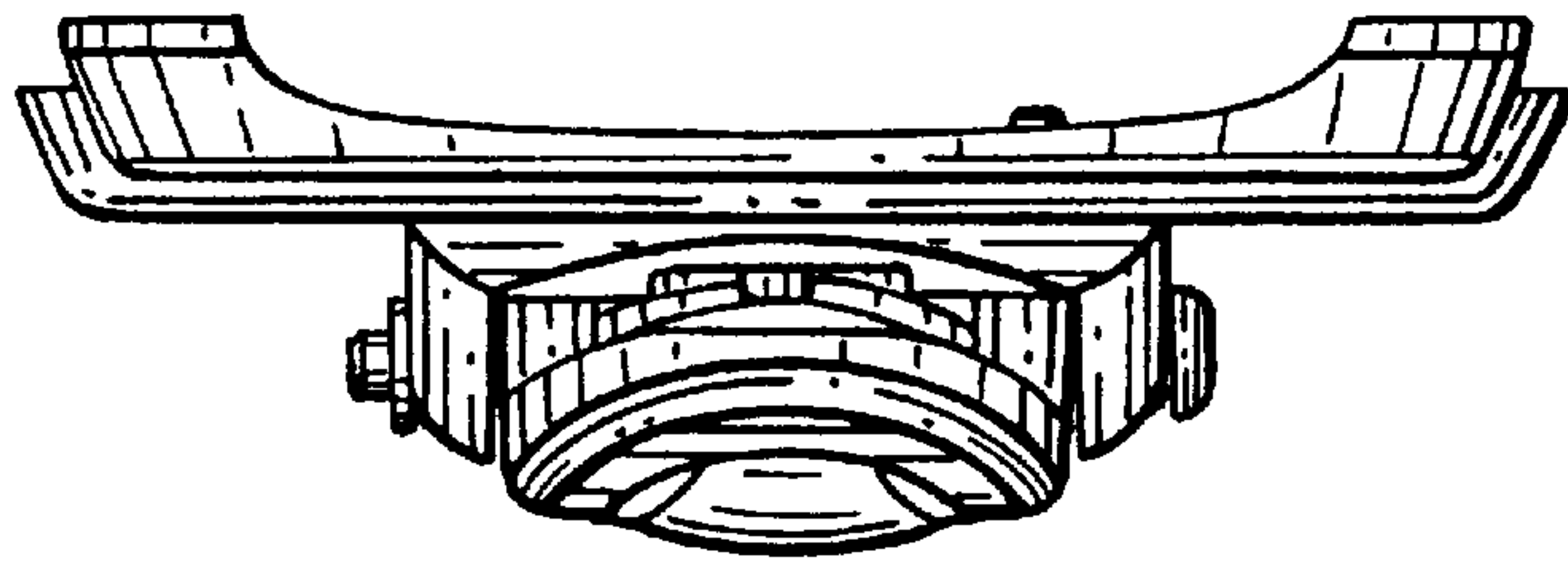


FIG. 2

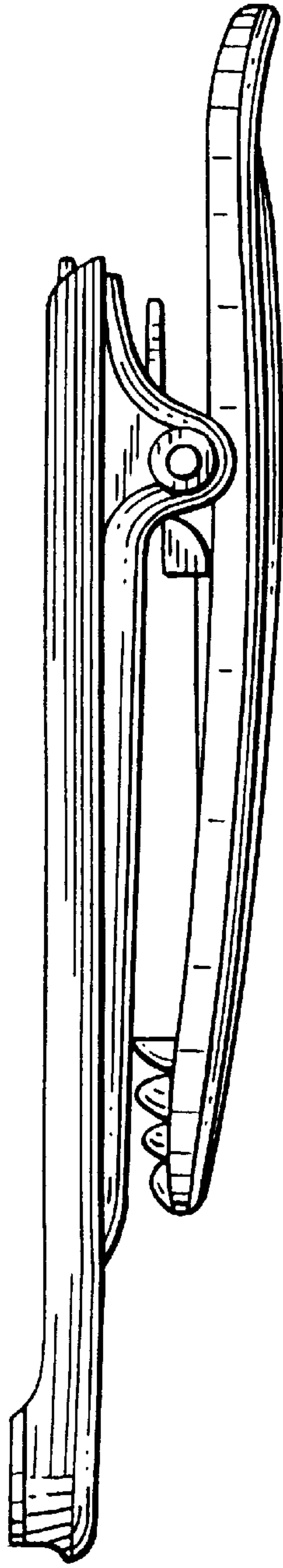


FIG. 3

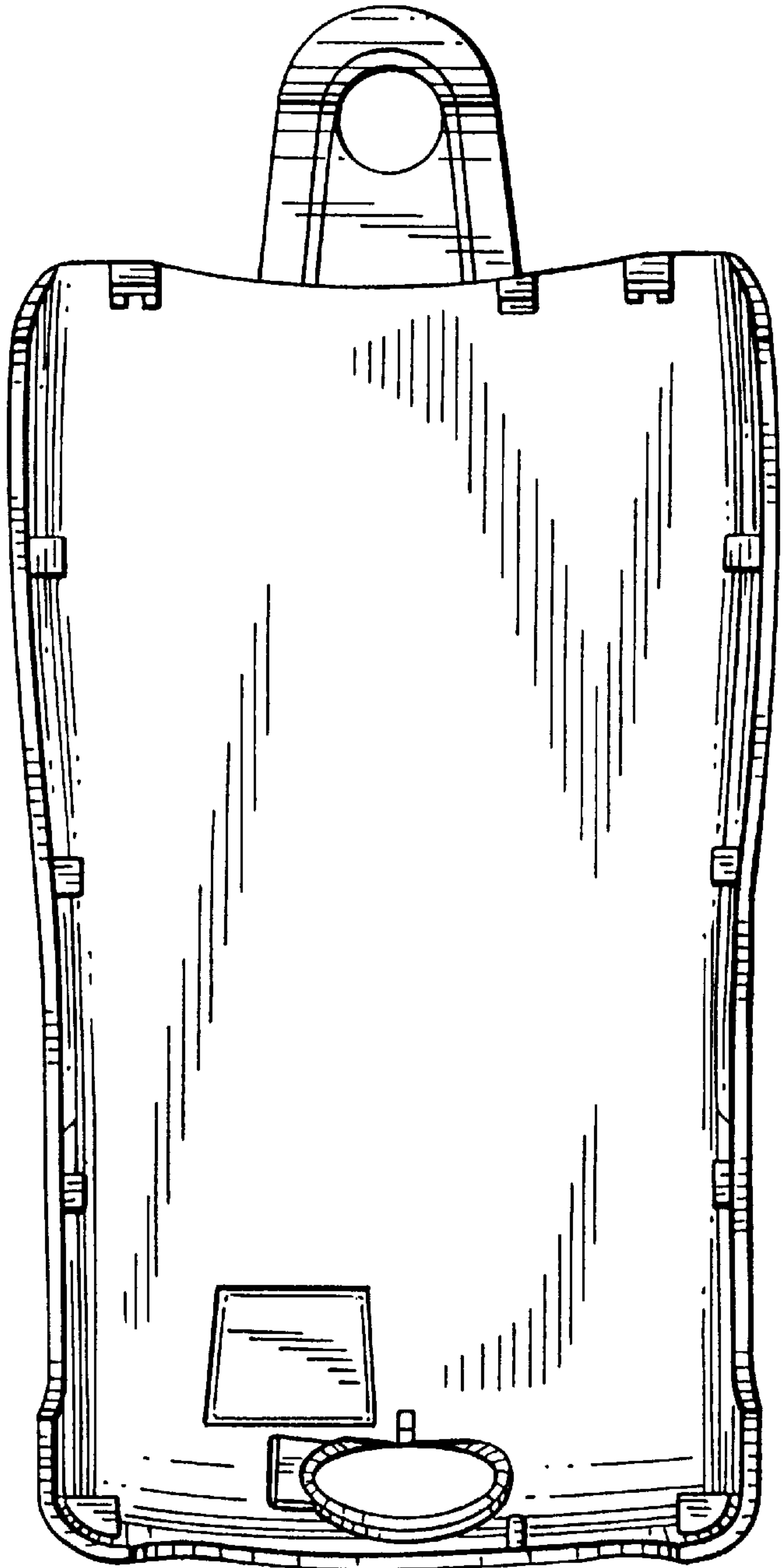


FIG. 4

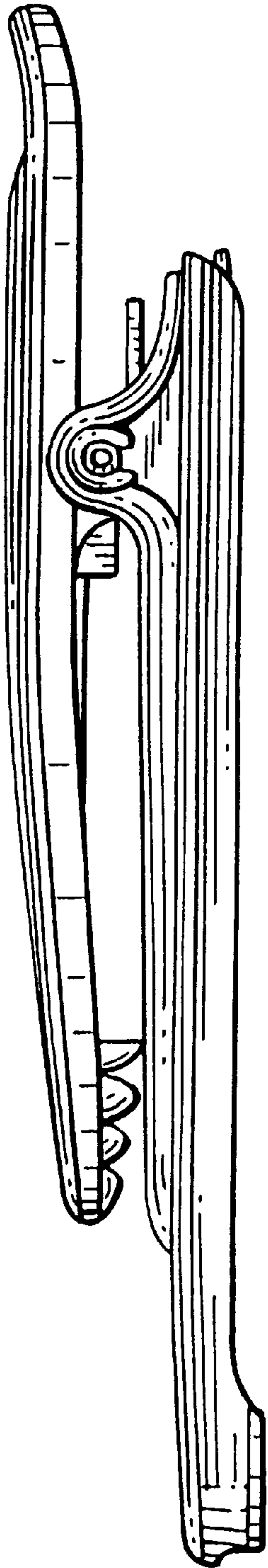


FIG. 5

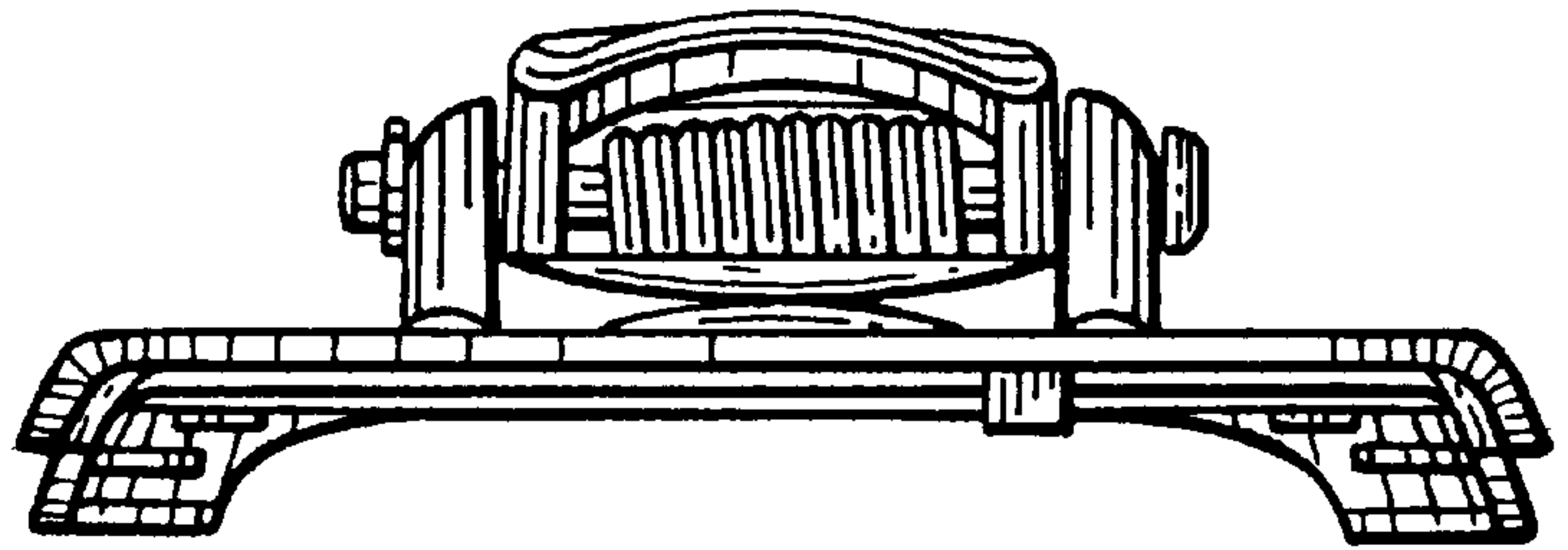


FIG. 6

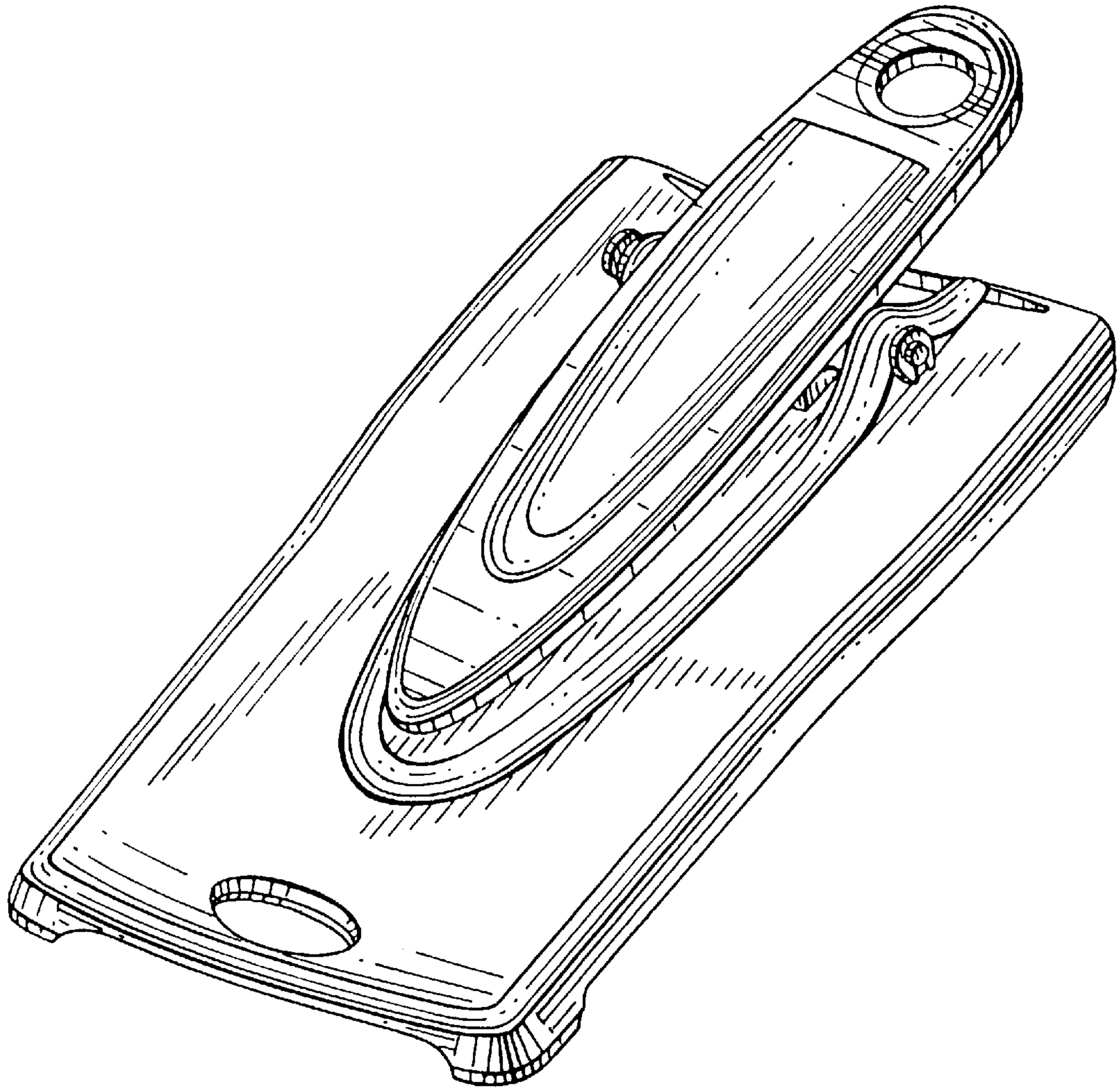


FIG. 7

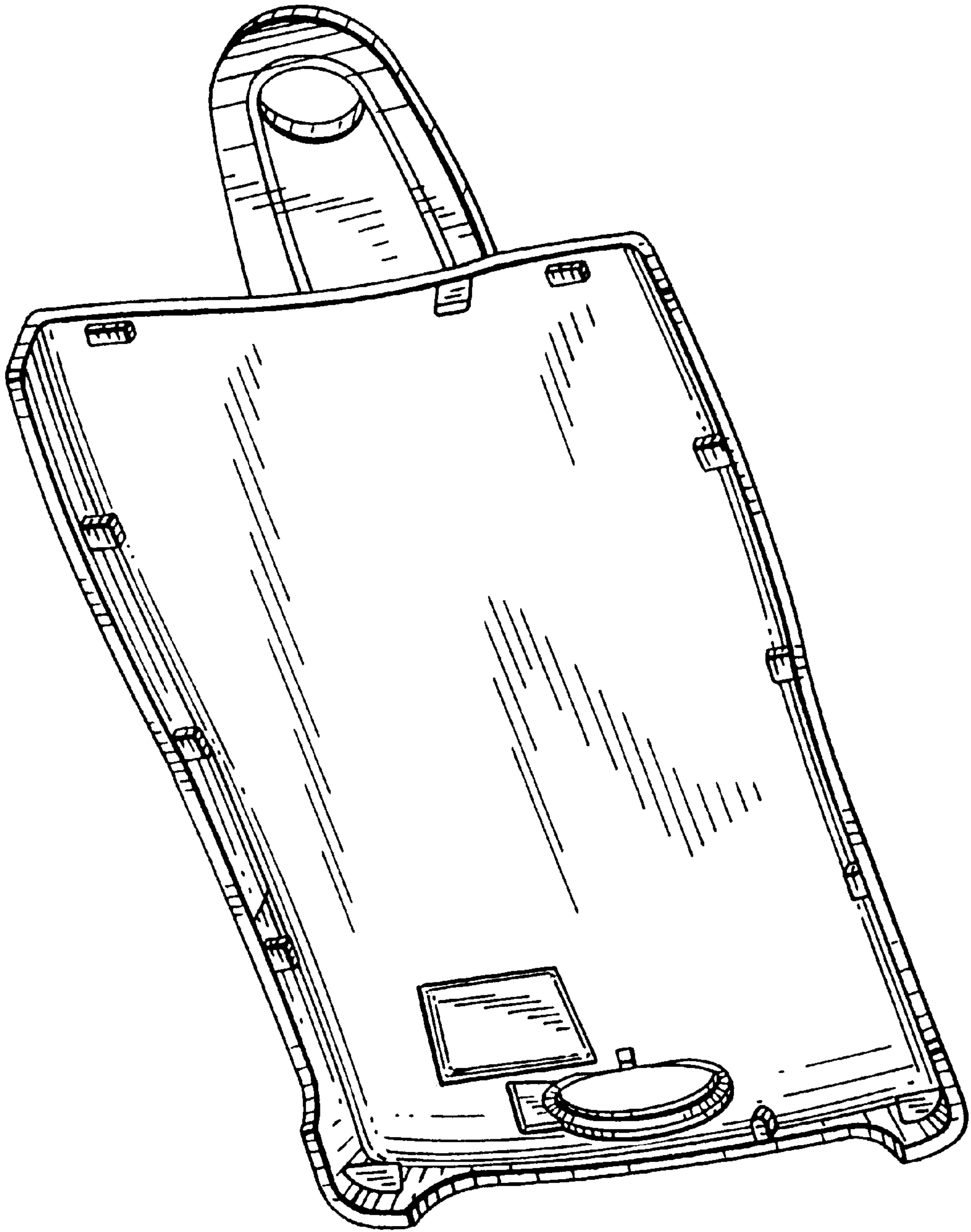


FIG. 8