



US00D425898S

United States Patent [19]

Iwaasa et al.

[11] Patent Number: **Des. 425,898**

[45] Date of Patent: **** May 30, 2000**

[54] **PICK UP**

[75] Inventors: **Shoji Iwaasa; Norihiro Kato; Hiroaki Nemoto**, all of Tokyo, Japan

[73] Assignee: **Sony Corporation**, Tokyo, Japan

[**] Term: **14 Years**

[21] Appl. No.: **29/085,438**

[22] Filed: **Mar. 9, 1998**

[30] Foreign Application Priority Data

Sep. 9, 1997 [JP] Japan 9-67040

[51] **LOC (7) Cl.** **14-99**

[52] **U.S. Cl.** **D14/217**

[58] **Field of Search** D14/217, 260, D14/299; 360/104, 114, 105; 369/13, 105

[56] References Cited

U.S. PATENT DOCUMENTS

D. 389,150	1/1998	Tanaka	D14/217
4,703,375	10/1987	Chan et al.	360/105
5,311,384	5/1994	Johnson	360/104

OTHER PUBLICATIONS

Catalog "Optical Device", pp. 19 & 23, Sony Corporation, (Sep. 1992).

Catalog "CD Player System", pp. 13 & 15, Sanyo Corporation, (Oct. 1994).

Catalog "Creative Core Components", p. 99, Sharp Corporation, (Oct. 1995).

Primary Examiner—Nanda Bondade

Attorney, Agent, or Firm—Rader, Fishman & Grauer

[57] CLAIM

The ornamental design for a pick up, as shown and described.

DESCRIPTION

FIG. 1 is a perspective view of a pick up showing our new design;

FIG. 2 is a top plan view thereof;

FIG. 3 is a left side elevational view thereof;

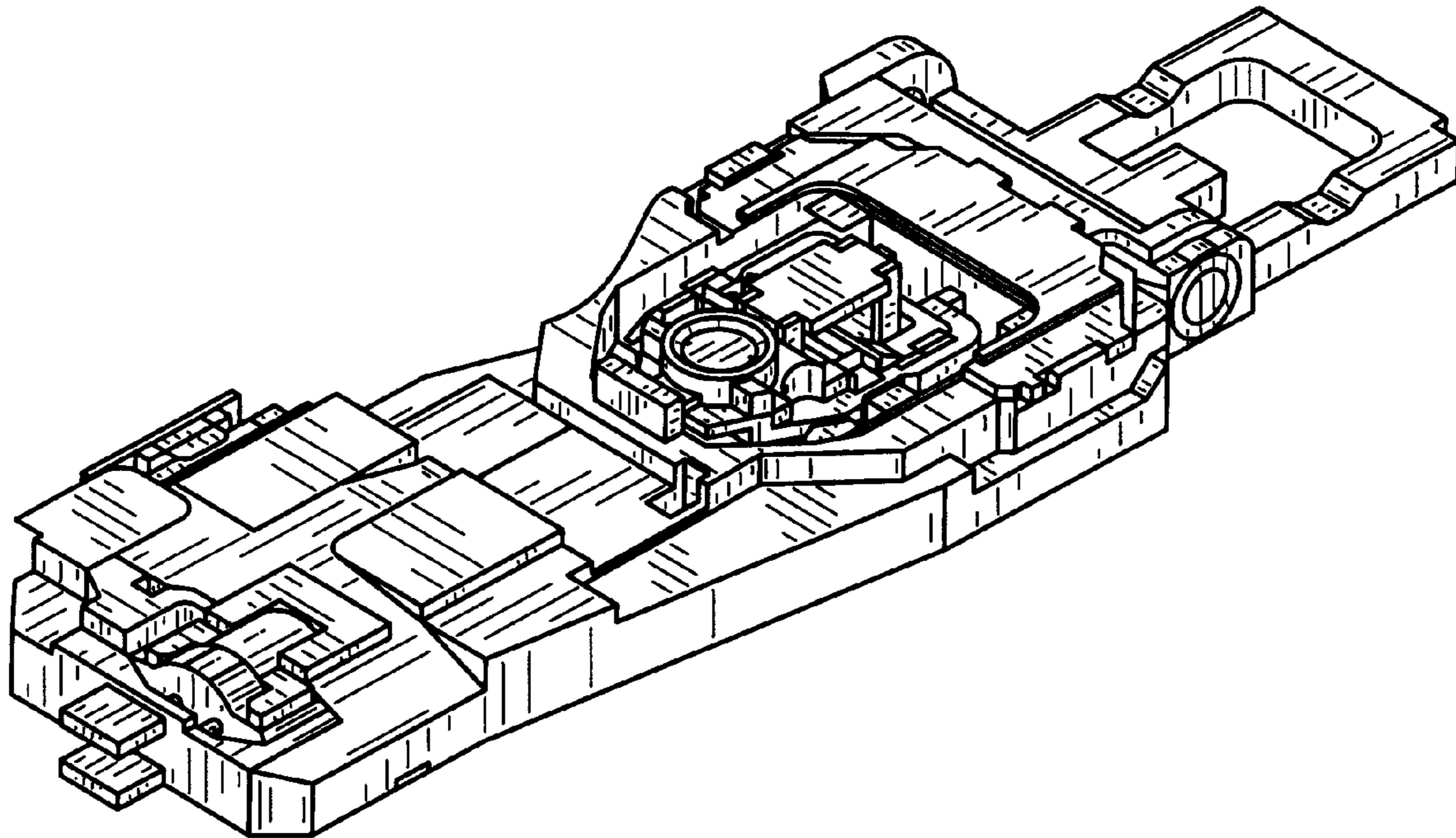
FIG. 4 is a front elevational view thereof;

FIG. 5 is a bottom plan view thereof;

FIG. 6 is a right side elevational view thereof; and,

FIG. 7 is a rear elevational view thereof.

1 Claim, 5 Drawing Sheets



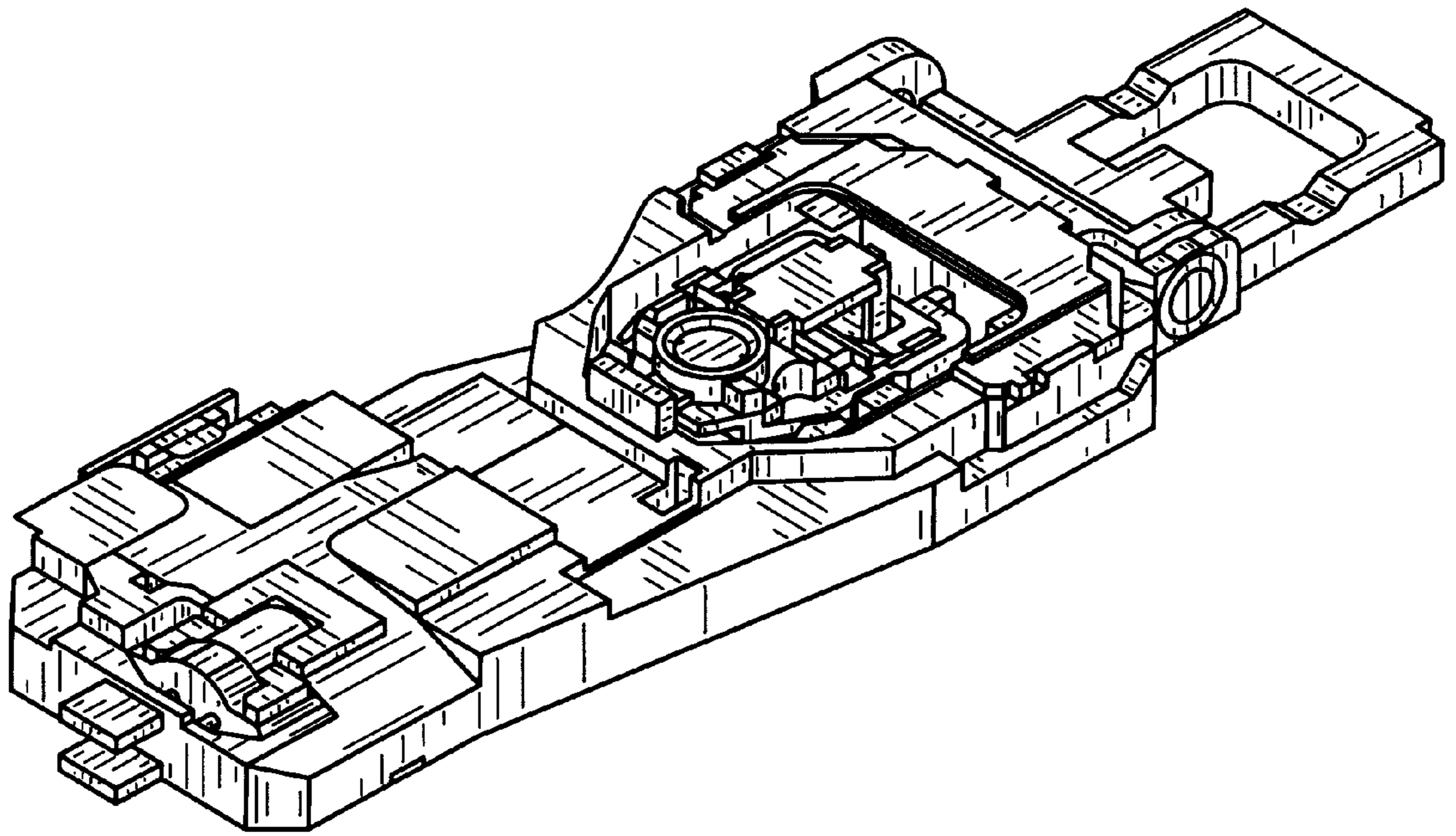


FIG. 1

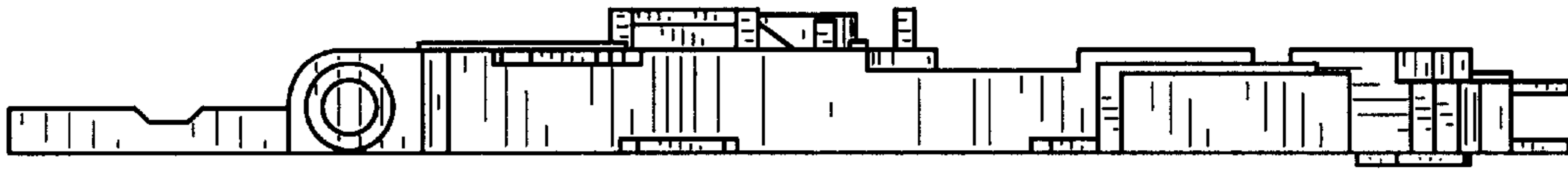


FIG. 3

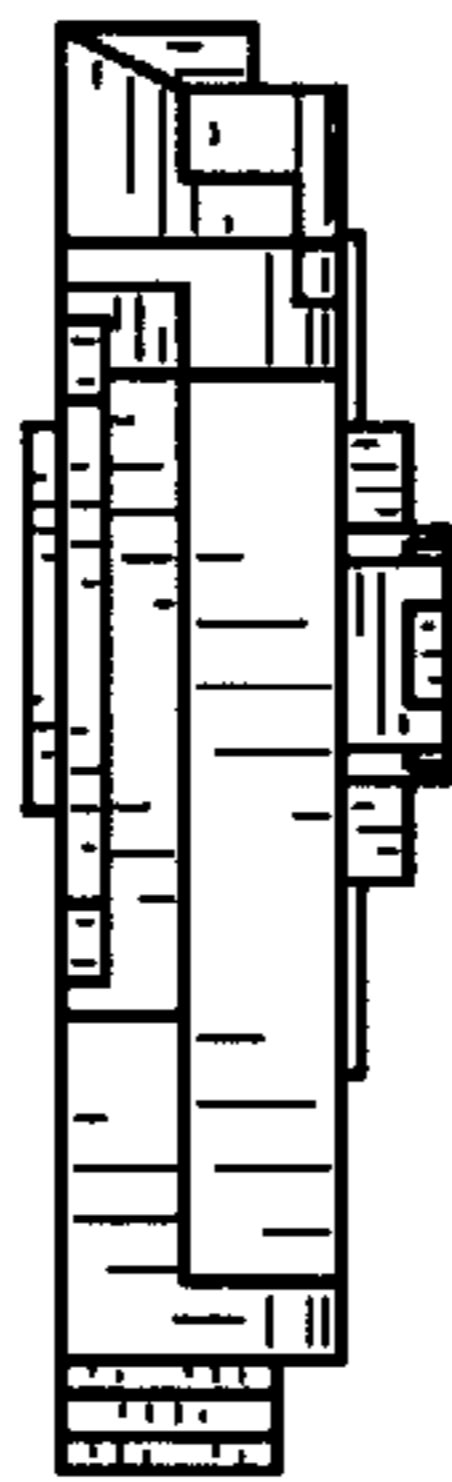


FIG. 2

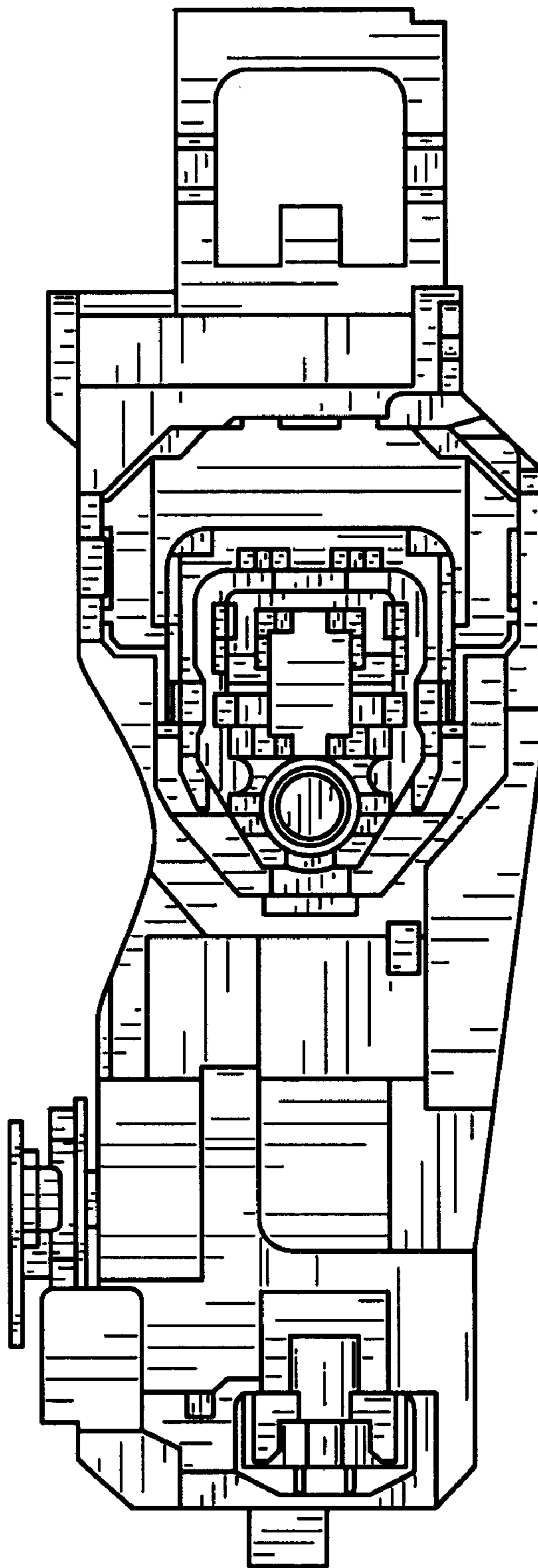


FIG. 4

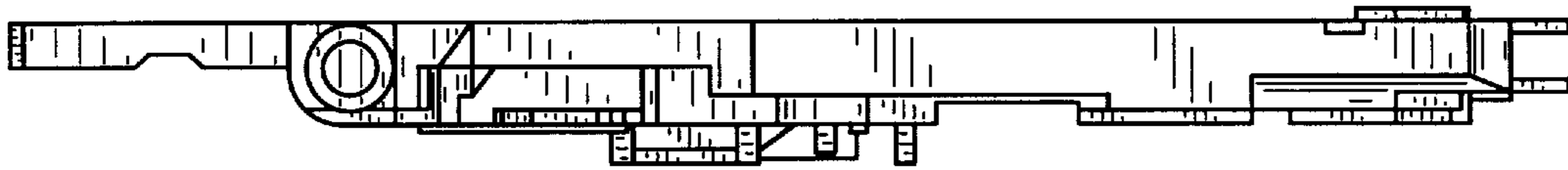


FIG. 6

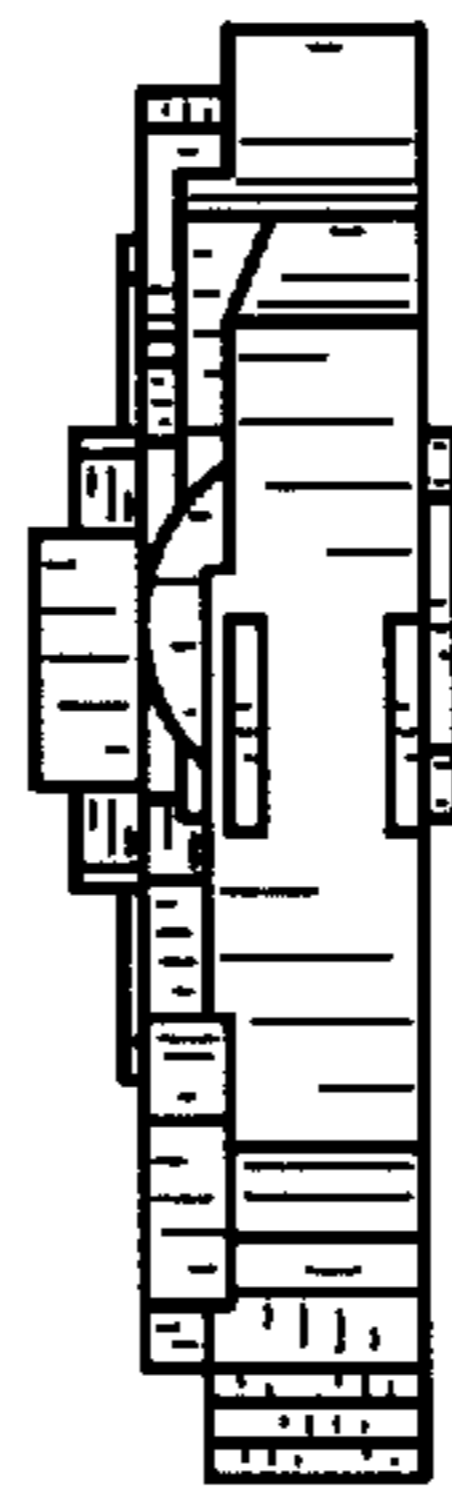


FIG. 5

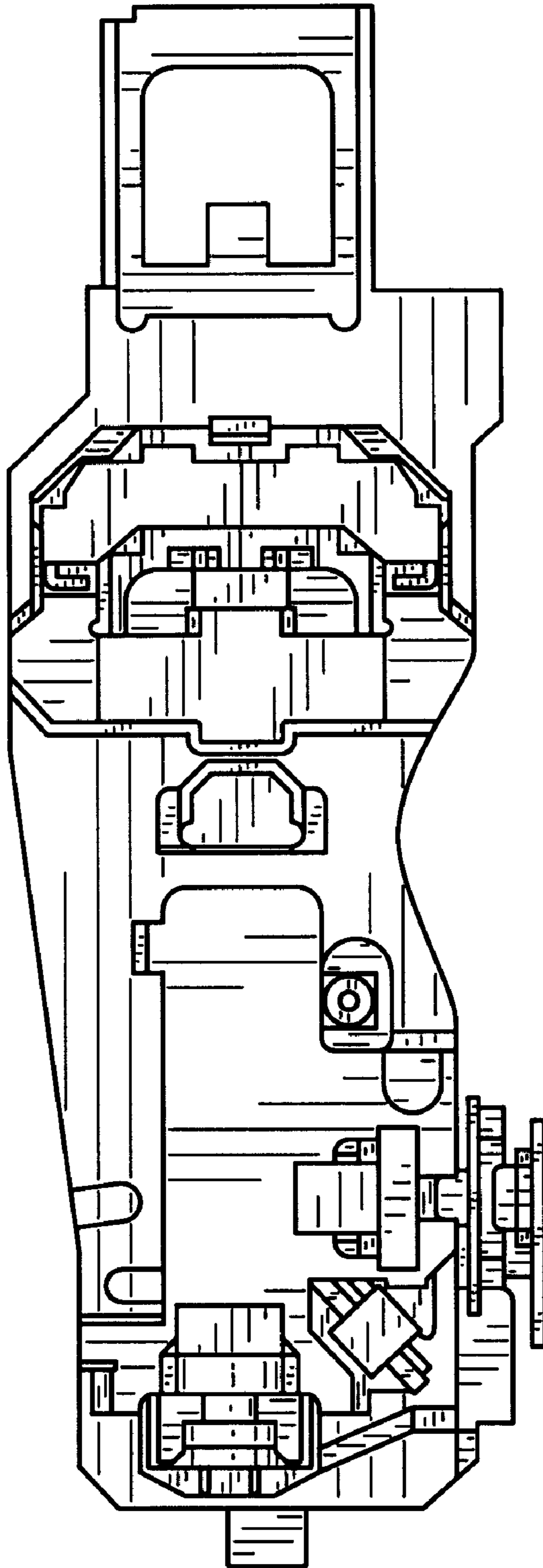


FIG. 7