



US00D425897S

United States Patent [19] Cho

[11] **Patent Number: Des. 425,897**

[45] **Date of Patent: ** May 30, 2000**

[54] **PAIR OF SPEAKERS**

[75] Inventor: **Chung Dong Cho**, Kyungki-do, Rep. of Korea

[73] Assignee: **Eastern Acoustic Corp.**, Kyungki-do, Rep. of Korea

[**] Term: **14 Years**

[21] Appl. No.: **29/107,544**

[22] Filed: **Jul. 6, 1999**

[51] **LOC (7) Cl.** **14-01**

[52] **U.S. Cl.** **D14/214**

[58] **Field of Search** D14/114, 204, D14/210-216, 219, 221; 181/144-145, 147-148, 150, 153, 157, 198-199; 381/300-301, 307, 332-336

[56] **References Cited**

U.S. PATENT DOCUMENTS

D. 302,975	8/1989	Sanders	D14/214
D. 321,196	10/1991	Yamamoto	D14/211 X
D. 379,183	5/1997	Lin	D14/214
D. 382,877	8/1997	Cheng	D14/214
D. 392,977	3/1998	Kim	D14/214
3,531,601	9/1970	Brown	D14/214 X
4,805,730	2/1989	O'Neill et al.	181/148

OTHER PUBLICATIONS

Audio Video International, p. 60, Digital 21 Speakers, Jun. 1985.

High Fidelity p. 41, Mirge Speakers, Nov. 1988.

Primary Examiner—Nanda Bondade

Attorney, Agent, or Firm—McAulay Nissen Goldberg Kiel & Hand, LLP

[57] **CLAIM**

The ornamental design for a pair of speakers, as shown and described.

DESCRIPTION

FIG. 1 is a front perspective view of a speaker of a pair of speakers showing my new design, shown separately for clarity of illustration;

FIG. 2 is a front elevation view thereof;

FIG. 3 is a rear view thereof;

FIG. 4 is a left side view thereof;

FIG. 5 is a right side view thereof;

FIG. 6 is a top view thereof;

FIG. 7 is a bottom view thereof;

FIG. 8 is a front perspective view of another speaker of a pair of speakers, shown separately for clarity of illustration;

FIG. 9 is a front elevation view thereof; and

FIG. 10 is a rear view thereof;

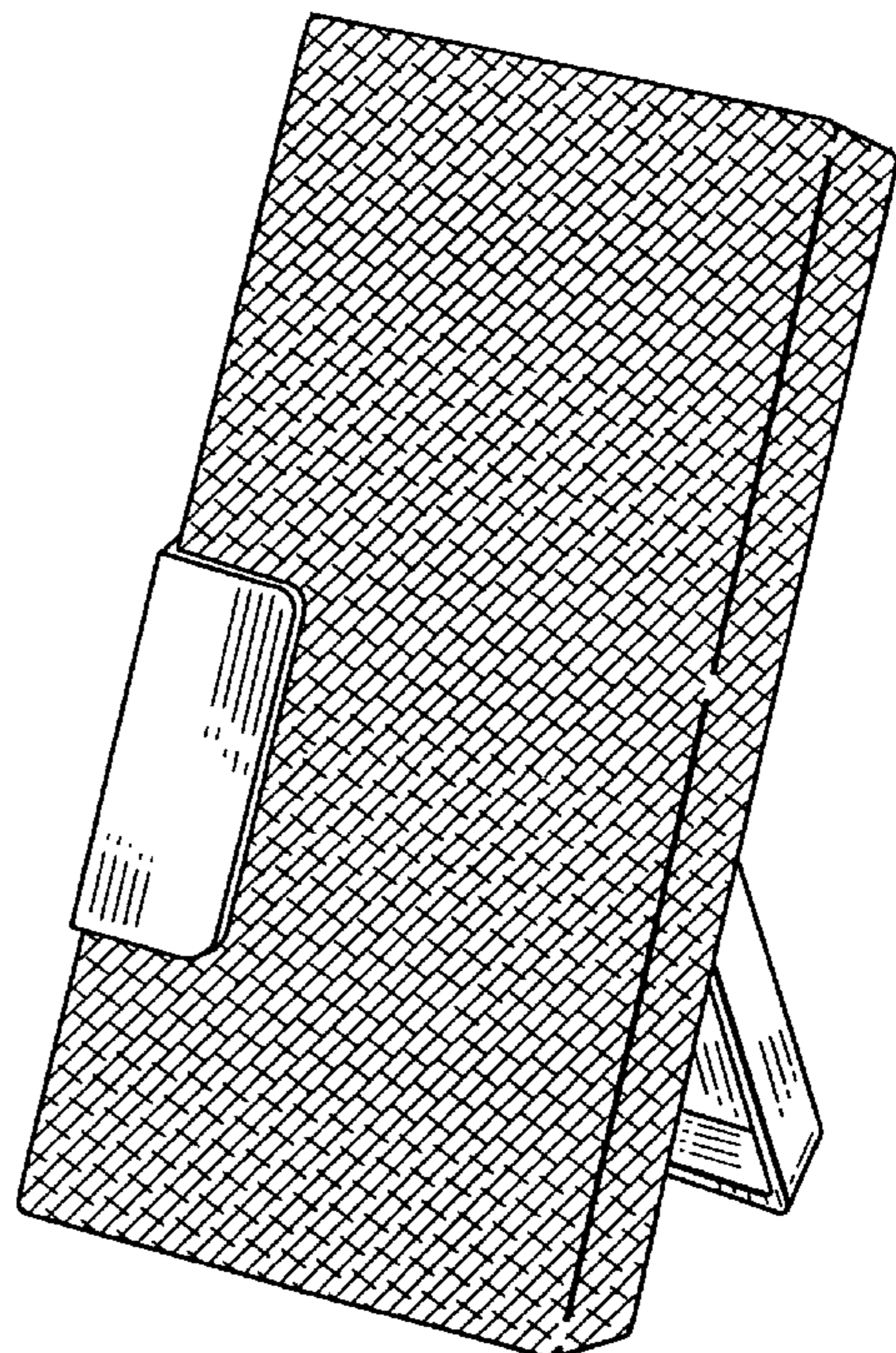
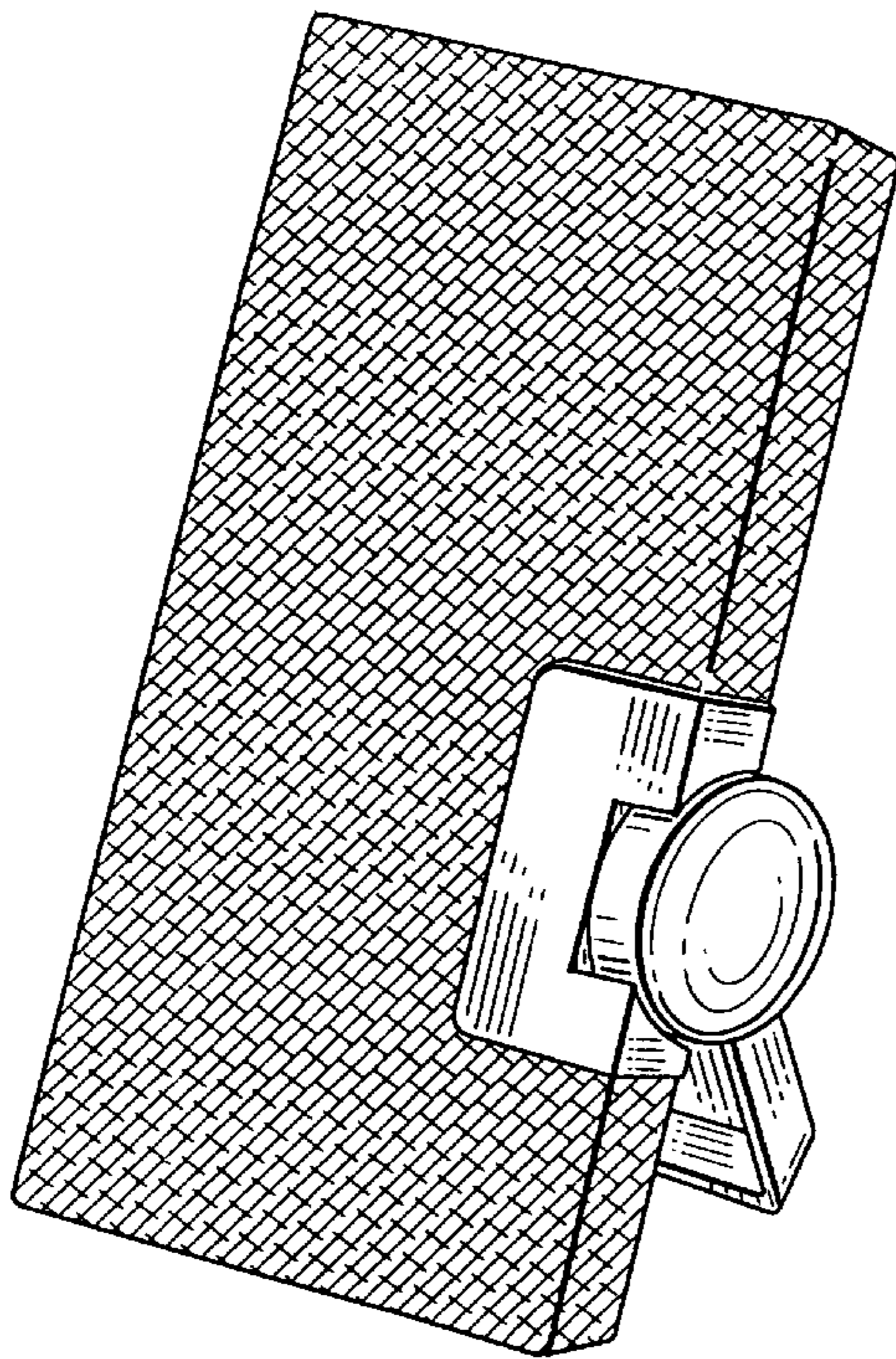
FIG. 11 is a left view thereof;

FIG. 12 is a right view thereof;

FIG. 13 is a top view thereof; and,

FIG. 14 is a bottom view thereof.

1 Claim, 8 Drawing Sheets



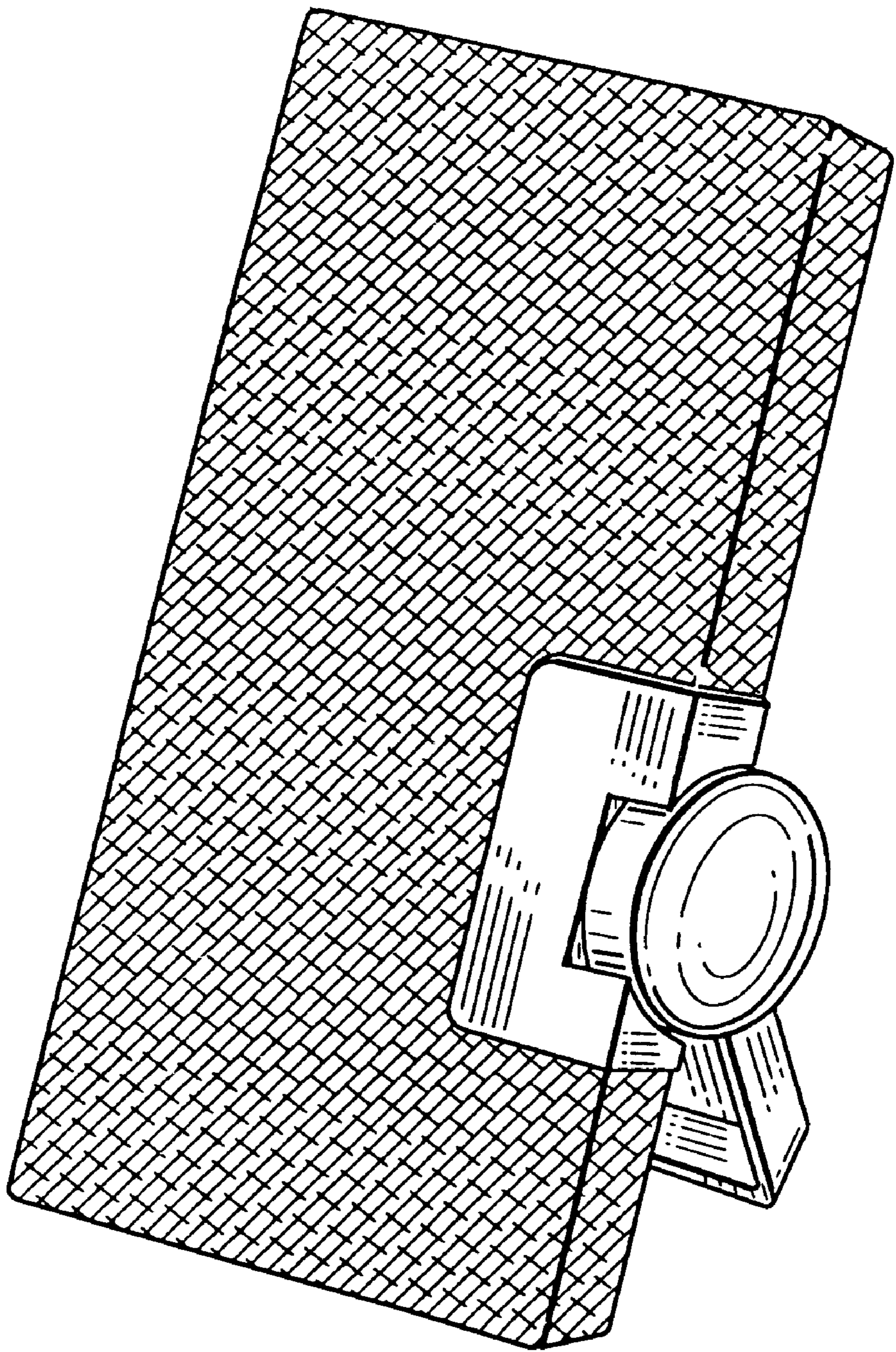


FIG. 1

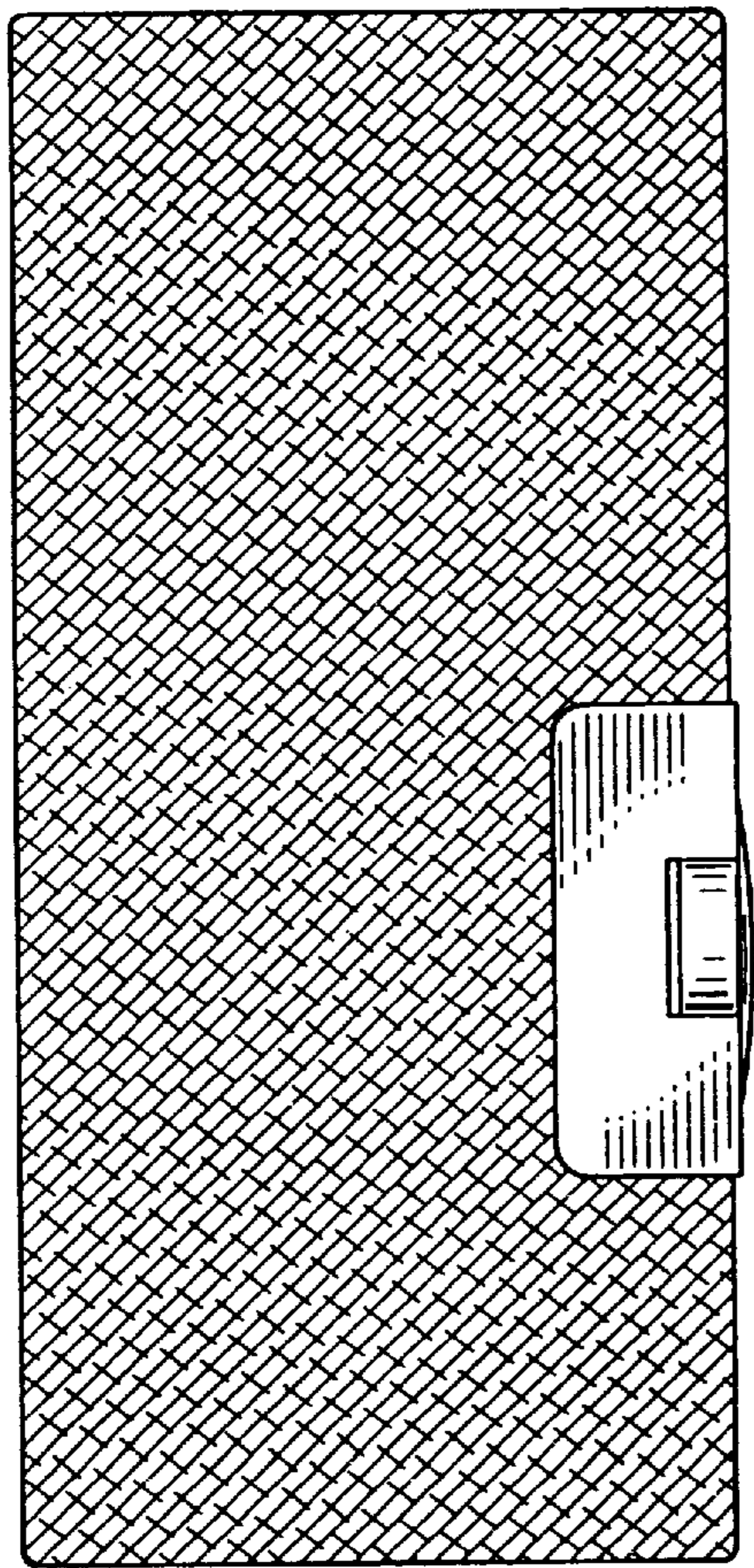


FIG. 2

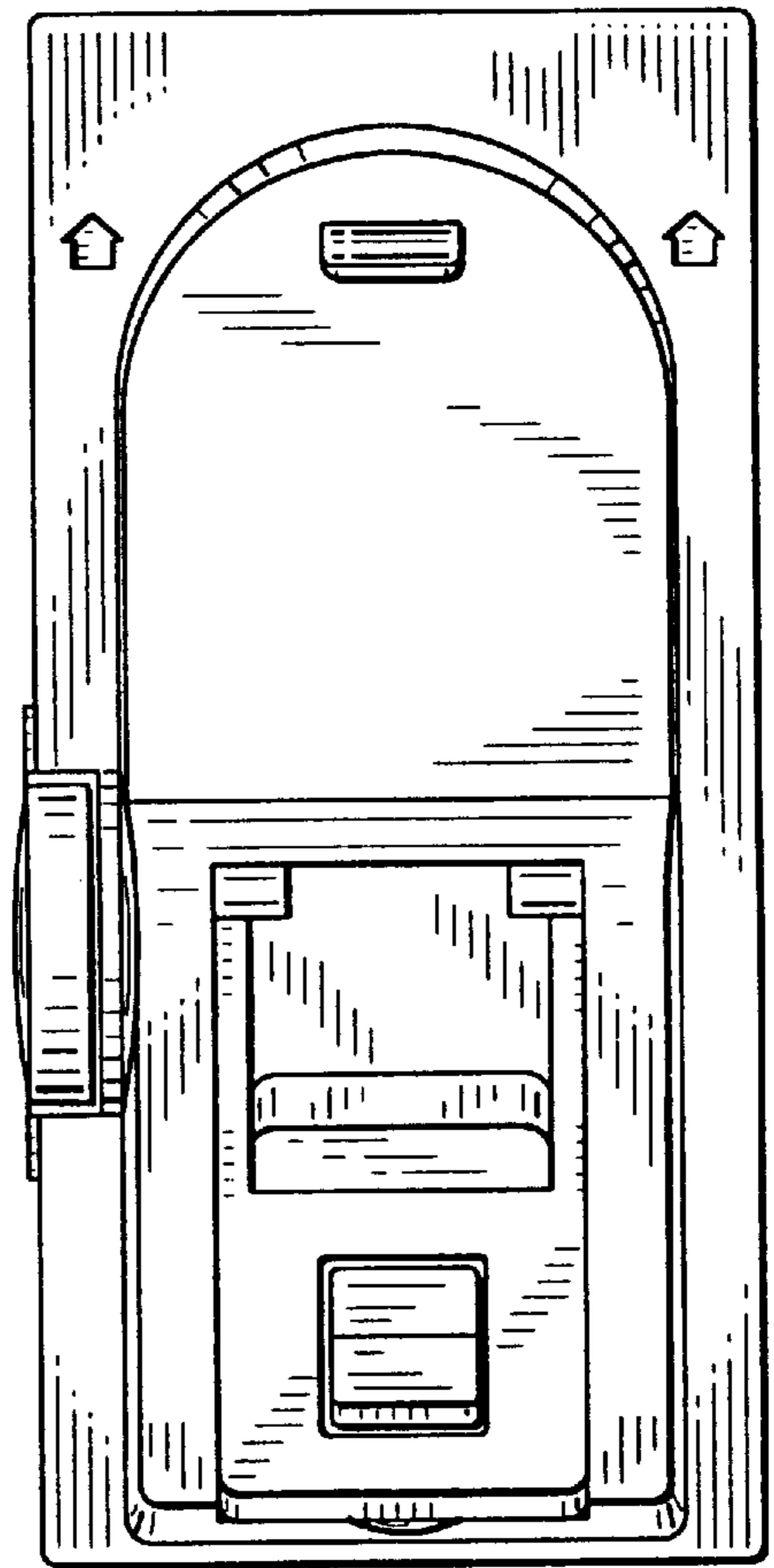


FIG. 3

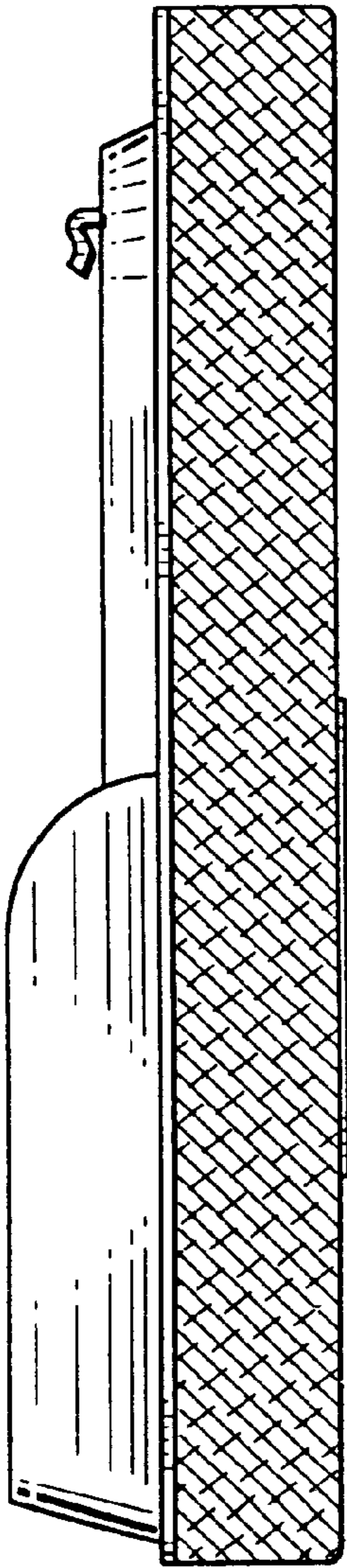


FIG. 4

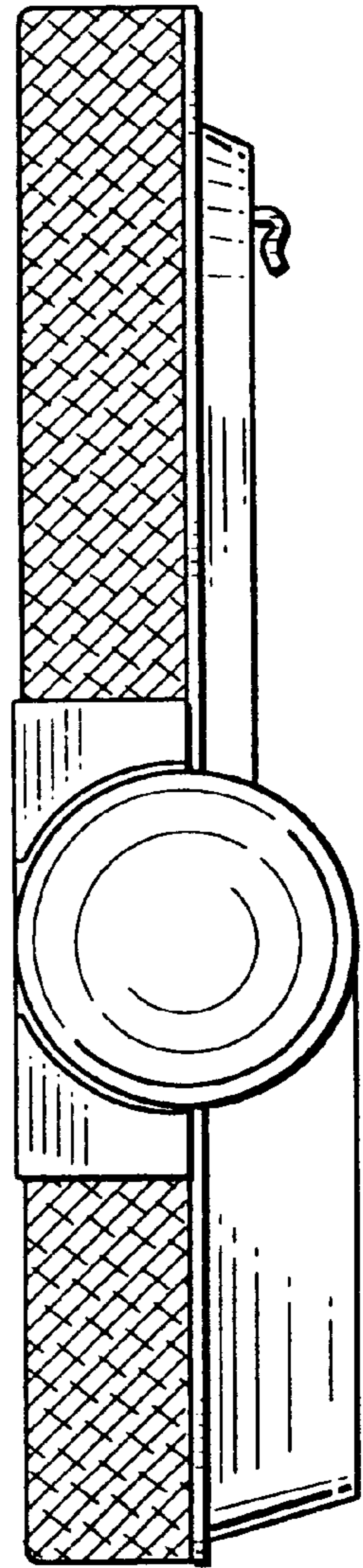


FIG. 5

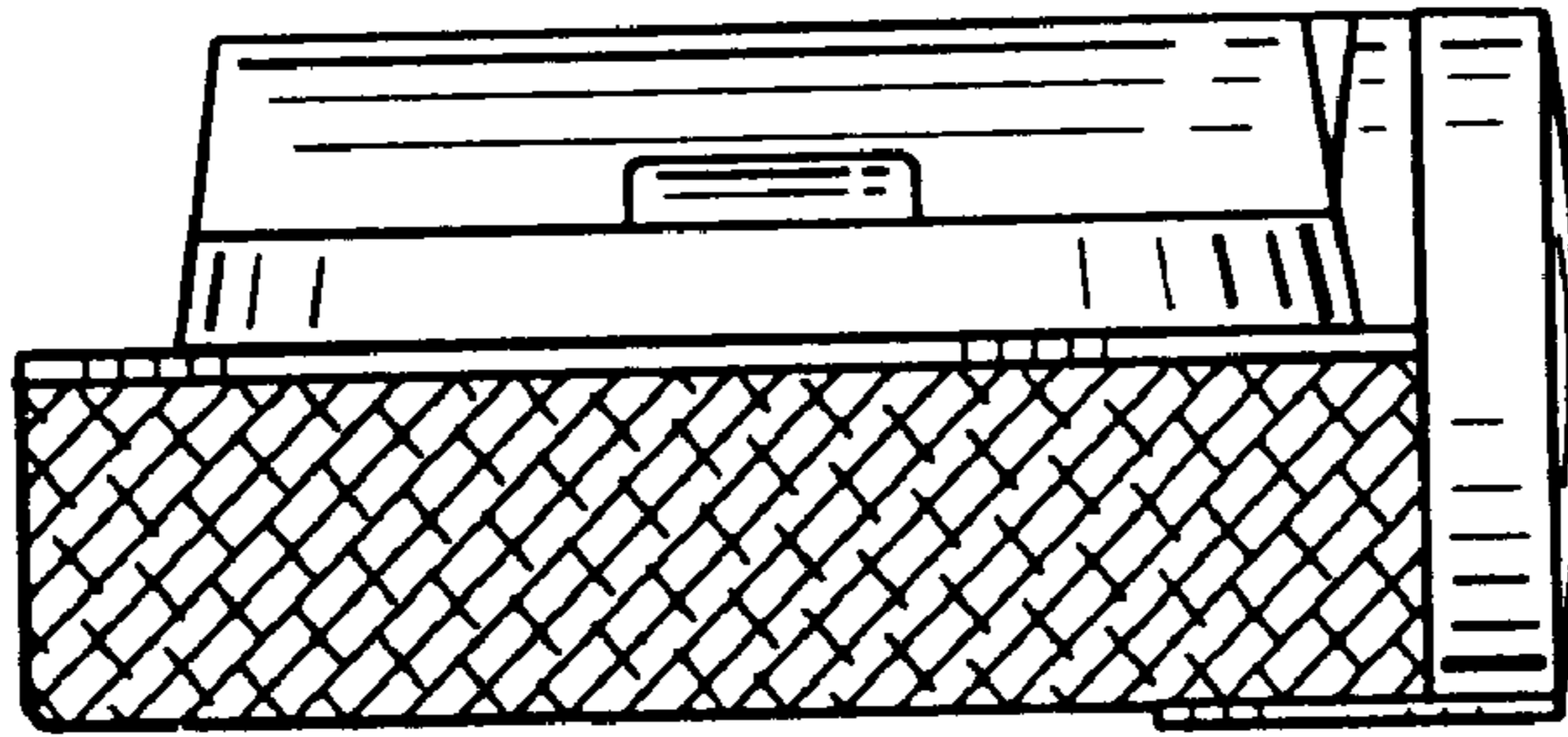


FIG. 6

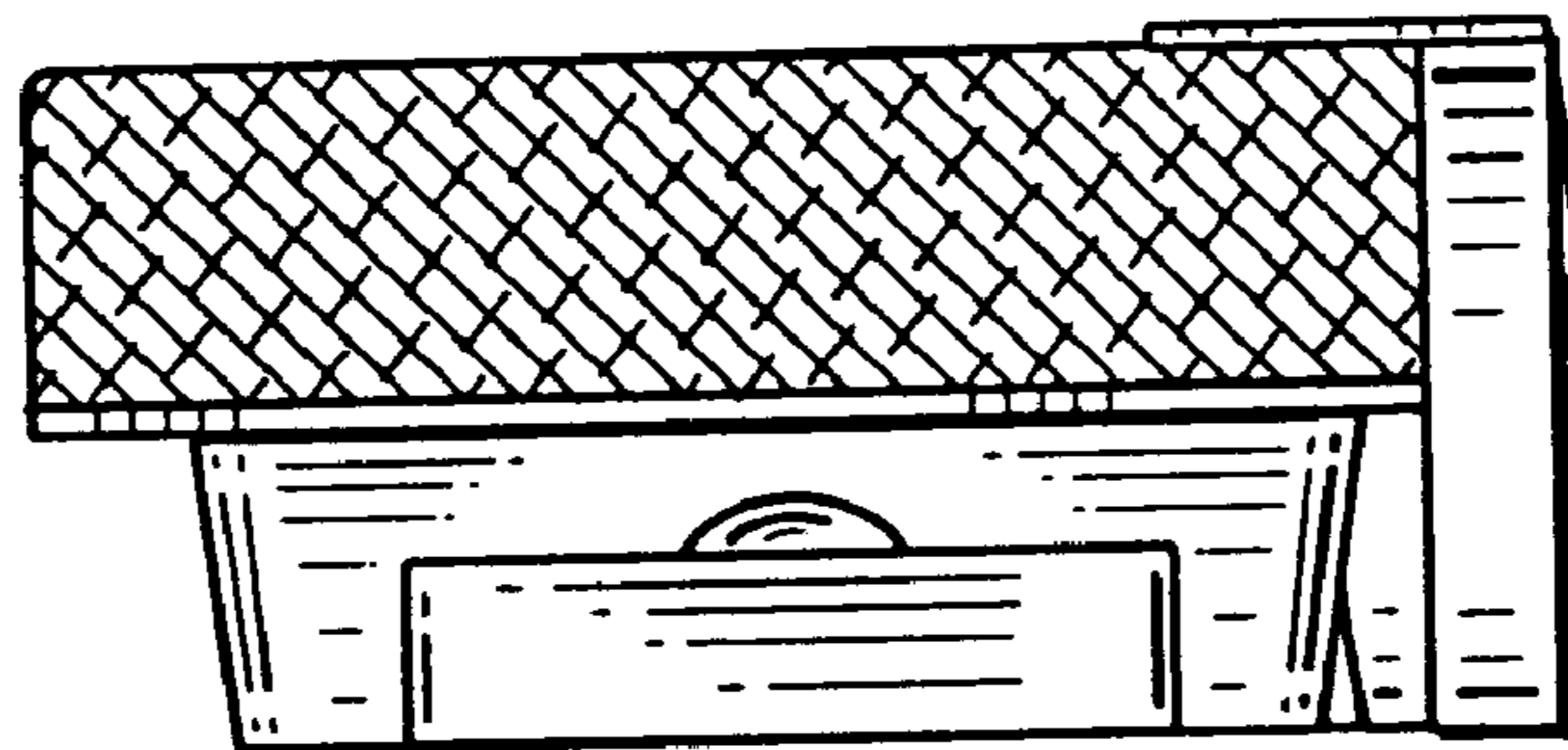


FIG. 7

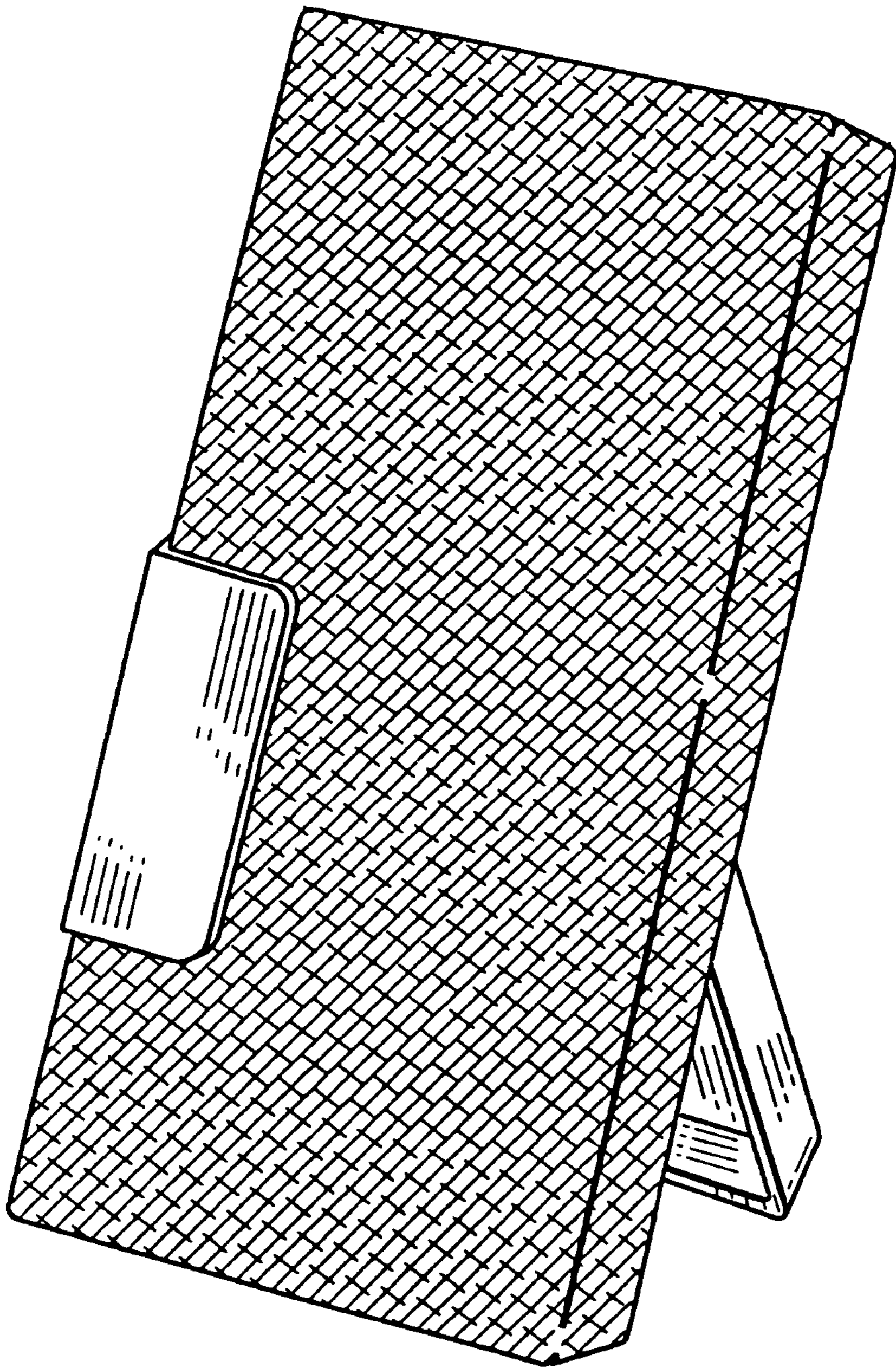


FIG. 8

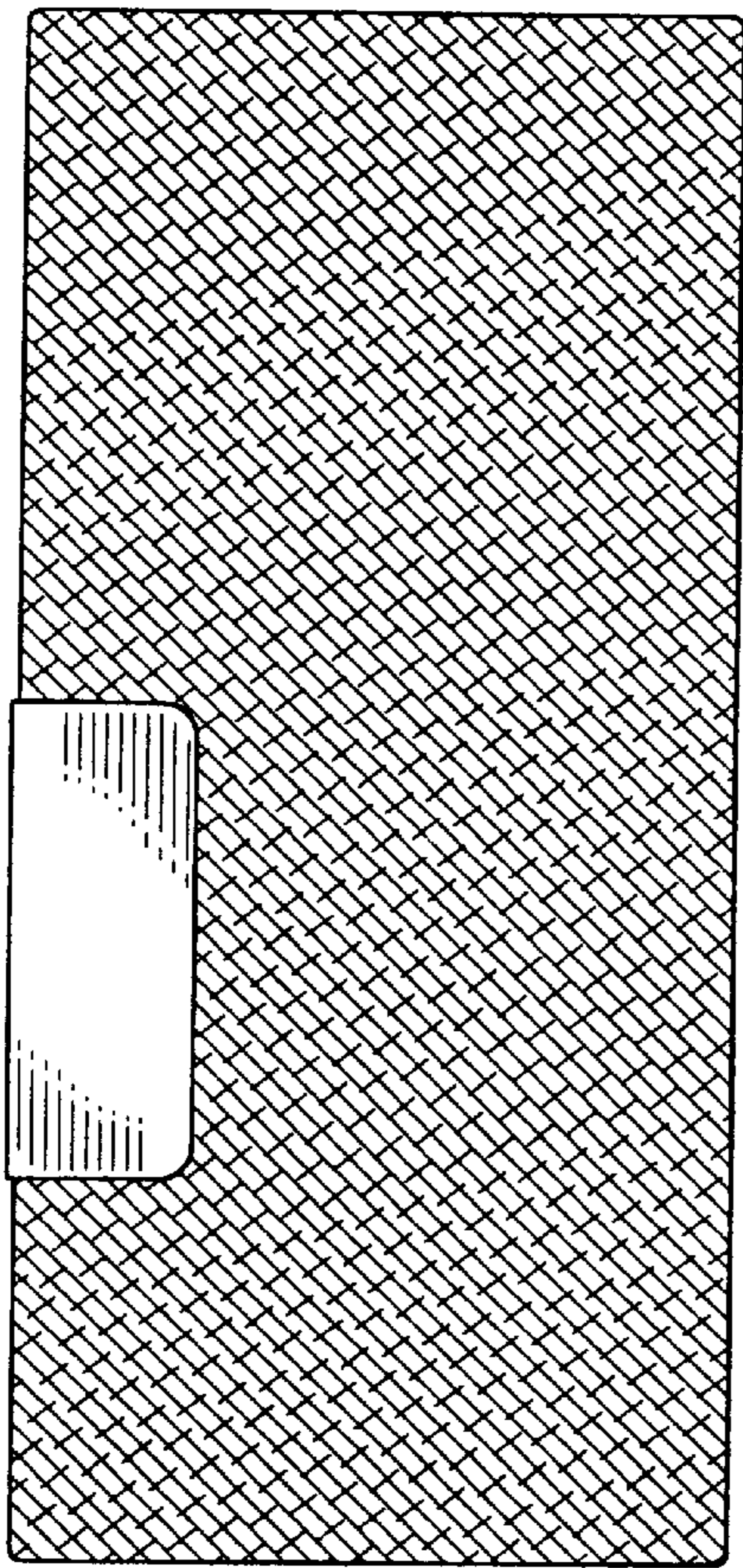


FIG. 9

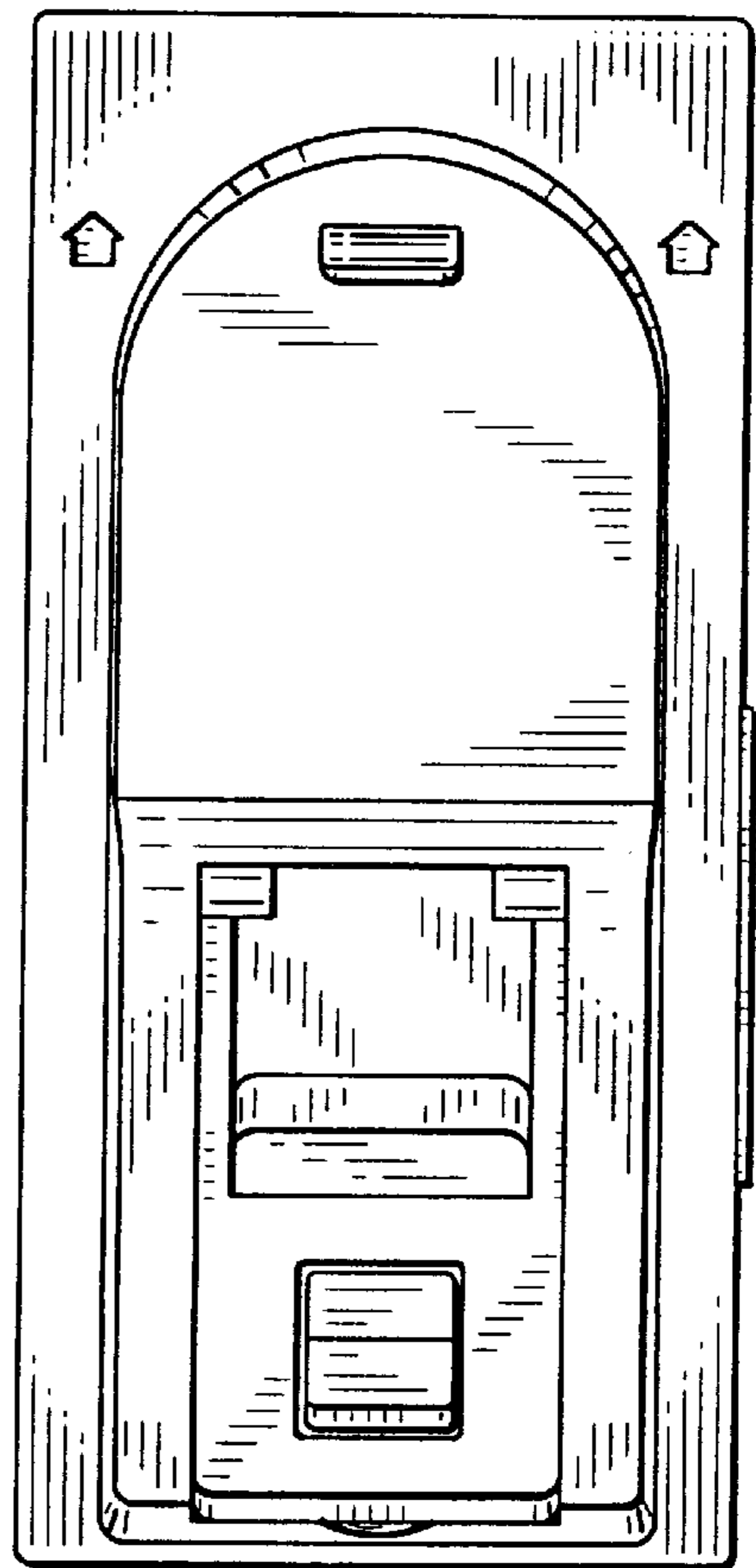


FIG. 10

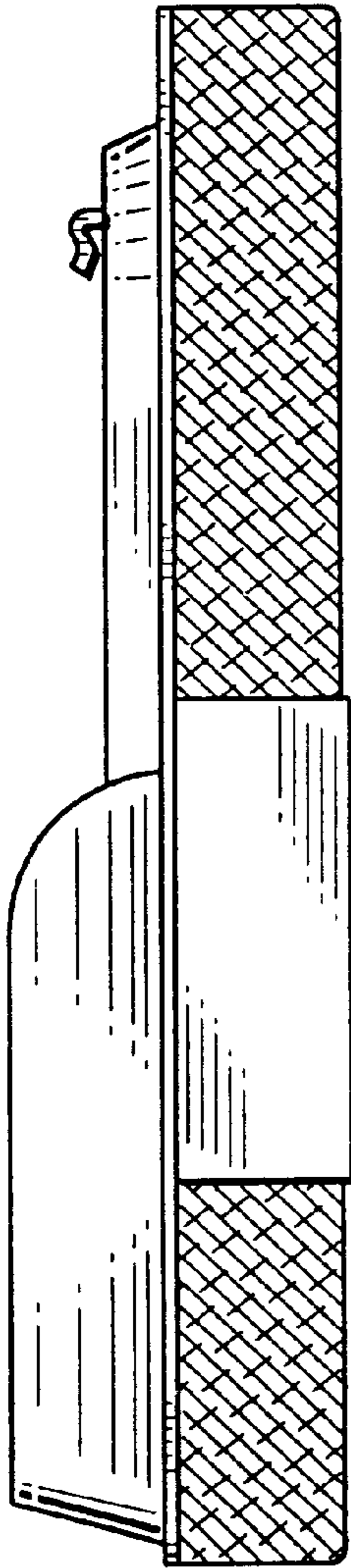


FIG. 11

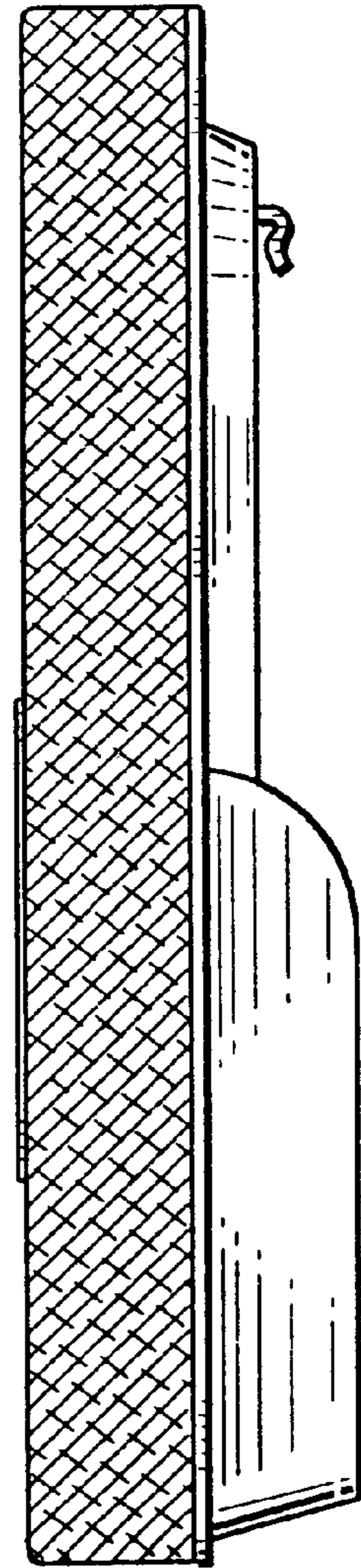


FIG. 12

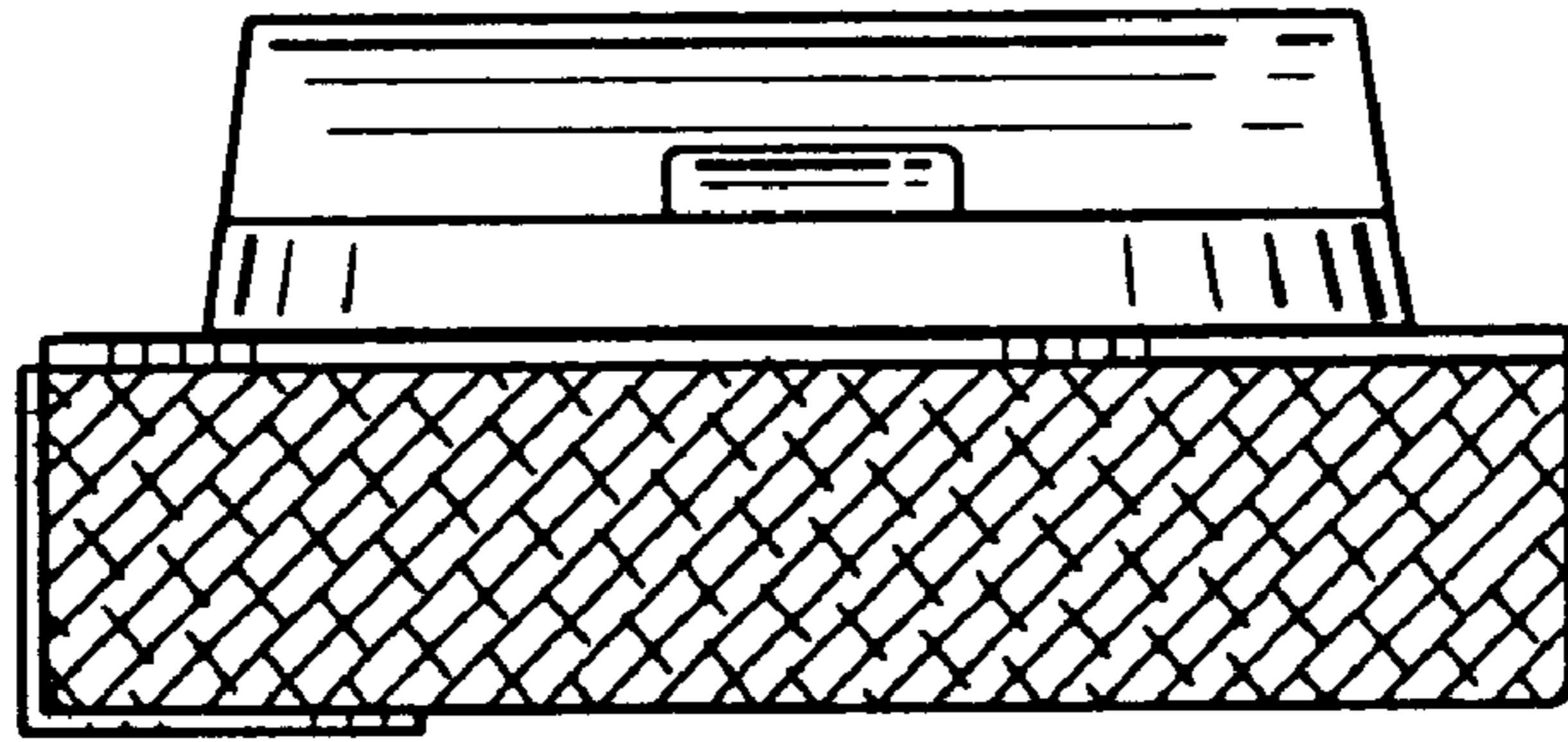


FIG. 13

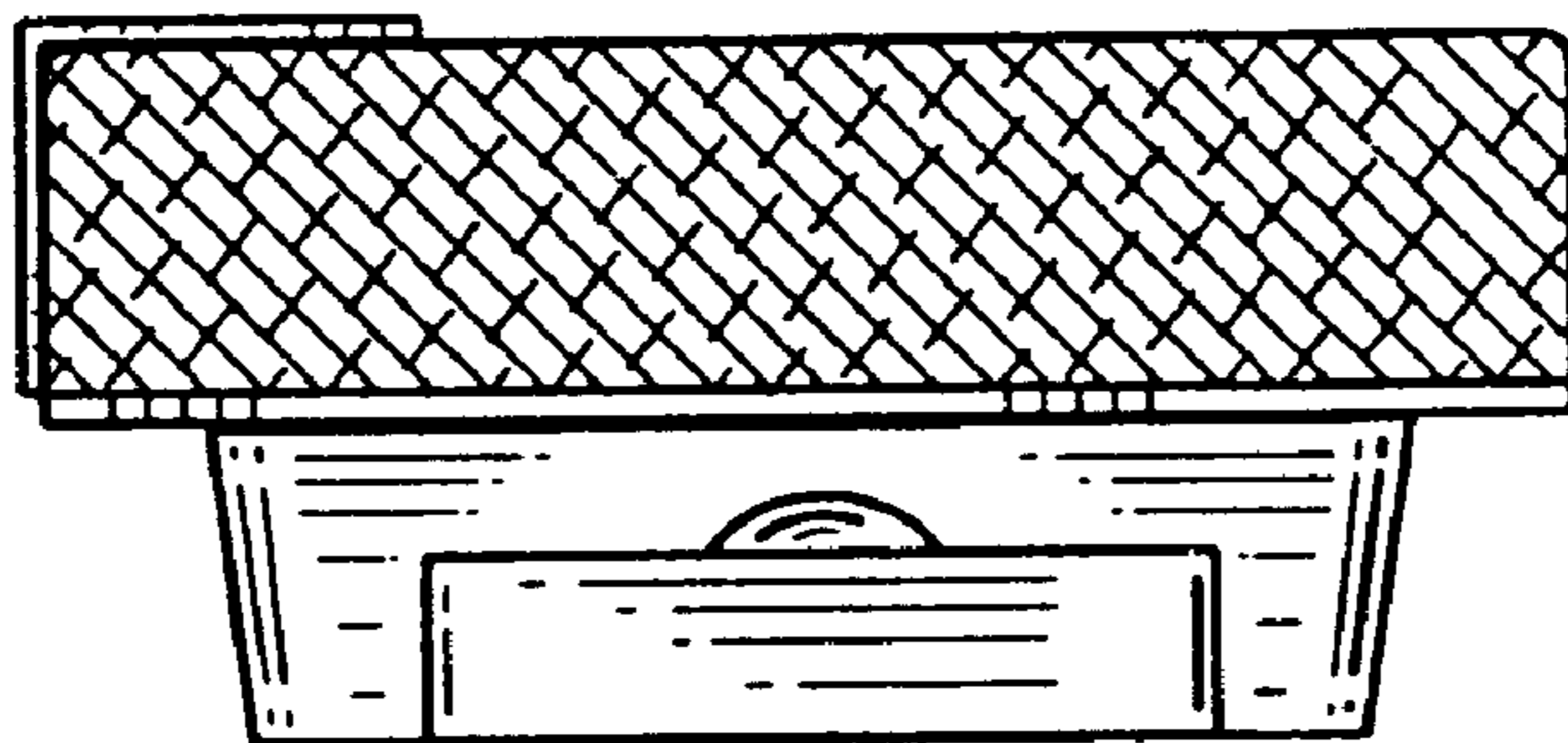


FIG. 14