



US00D425896S

United States Patent [19]

Ito et al.

[11] Patent Number: **Des. 425,896**

[45] Date of Patent: **** May 30, 2000**

[54] SPEAKER BOX

[75] Inventors: **Masafumi Ito; Hiroyuki Watanabe**,
both of Musashino, Japan

[73] Assignee: **Teac Corporation**, Tokyo, Japan

[**] Term: **14 Years**

[21] Appl. No.: **29/107,098**

[22] Filed: **Jun. 25, 1999**

[30] Foreign Application Priority Data

Dec. 29, 1998 [JP] Japan 10-38811

[51] LOC (7) Cl. **14-01**

[52] U.S. Cl. **D14/214**

[58] Field of Search D14/204, 207,
D14/210-216; 181/144-148, 153, 157,
198-199; 381/300-302, 307, 359, 361,
363, 386

[56] References Cited

U.S. PATENT DOCUMENTS

D. 375,499 11/1996 Meyer et al. D14/214
D. 384,668 10/1997 Yoneda D14/214
D. 399,509 10/1998 Renk D14/214

FOREIGN PATENT DOCUMENTS

1009112 5/1998 Japan .

OTHER PUBLICATIONS

HighFidelity, p. 44, Speaker, Jul. 1986.

Primary Examiner—Nanda Bondade
Attorney, Agent, or Firm—Ladas & Parry

[57] CLAIM

The ornamental design for a speaker box, as shown and described.

DESCRIPTION

FIG. 1 is a perspective view of a speaker box showing our new design;

FIG. 2 is a front view thereof;

FIG. 3 is a rear view thereof;

FIG. 4 is a top view thereof;

FIG. 5 is a bottom view thereof;

FIG. 6 is a right side view thereof, the left side view being a mirror image of the right side;

FIG. 7 is a front view thereof, in a state where the grilles are removed for clarity of illustration;

FIG. 8 is a top view of FIG. 7;

FIG. 9 is a bottom view of FIG. 7; and,

FIG. 10 is a right side view of FIG. 7, the left side view being a mirror image of the right side.

1 Claim, 4 Drawing Sheets

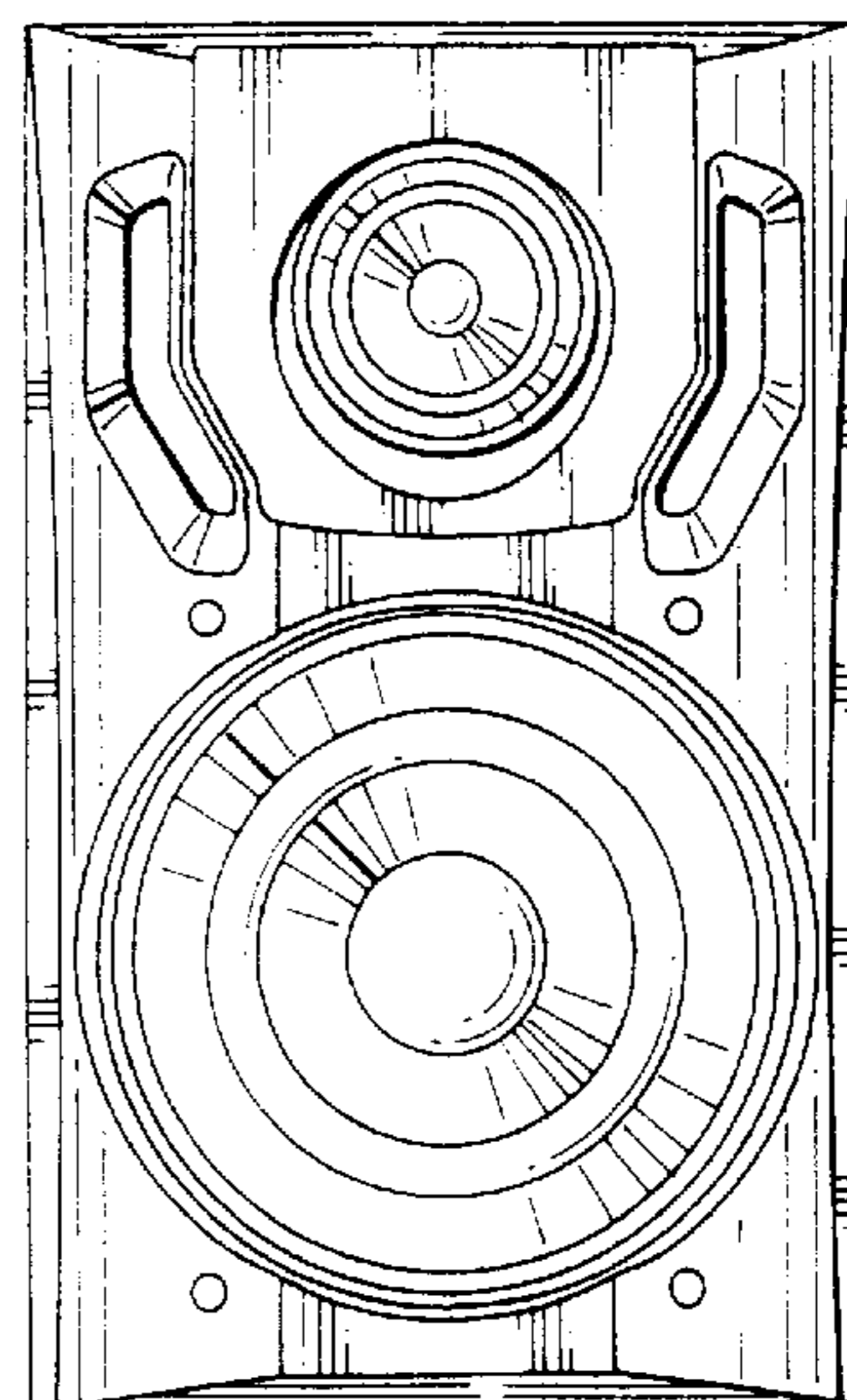
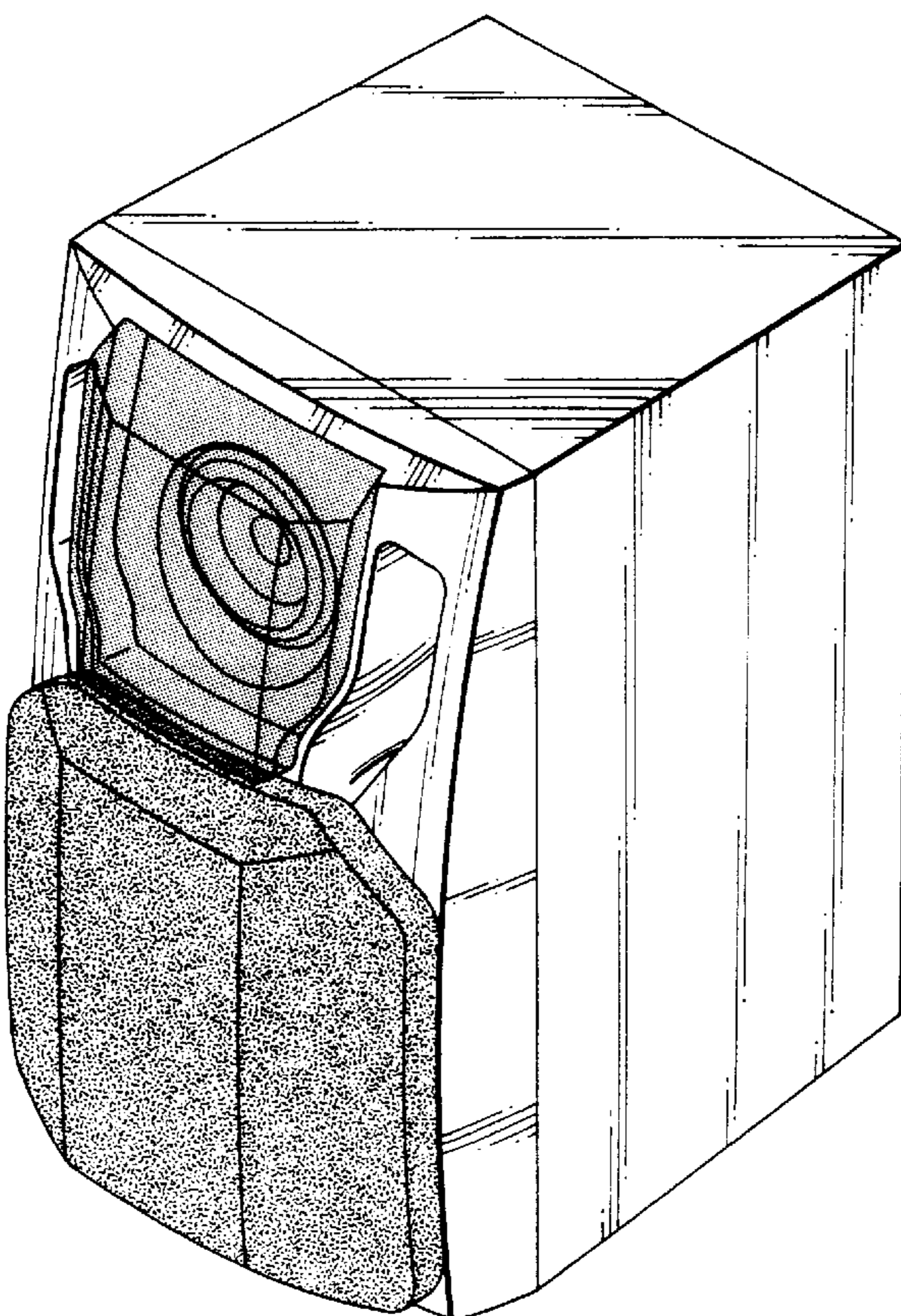


FIG.1

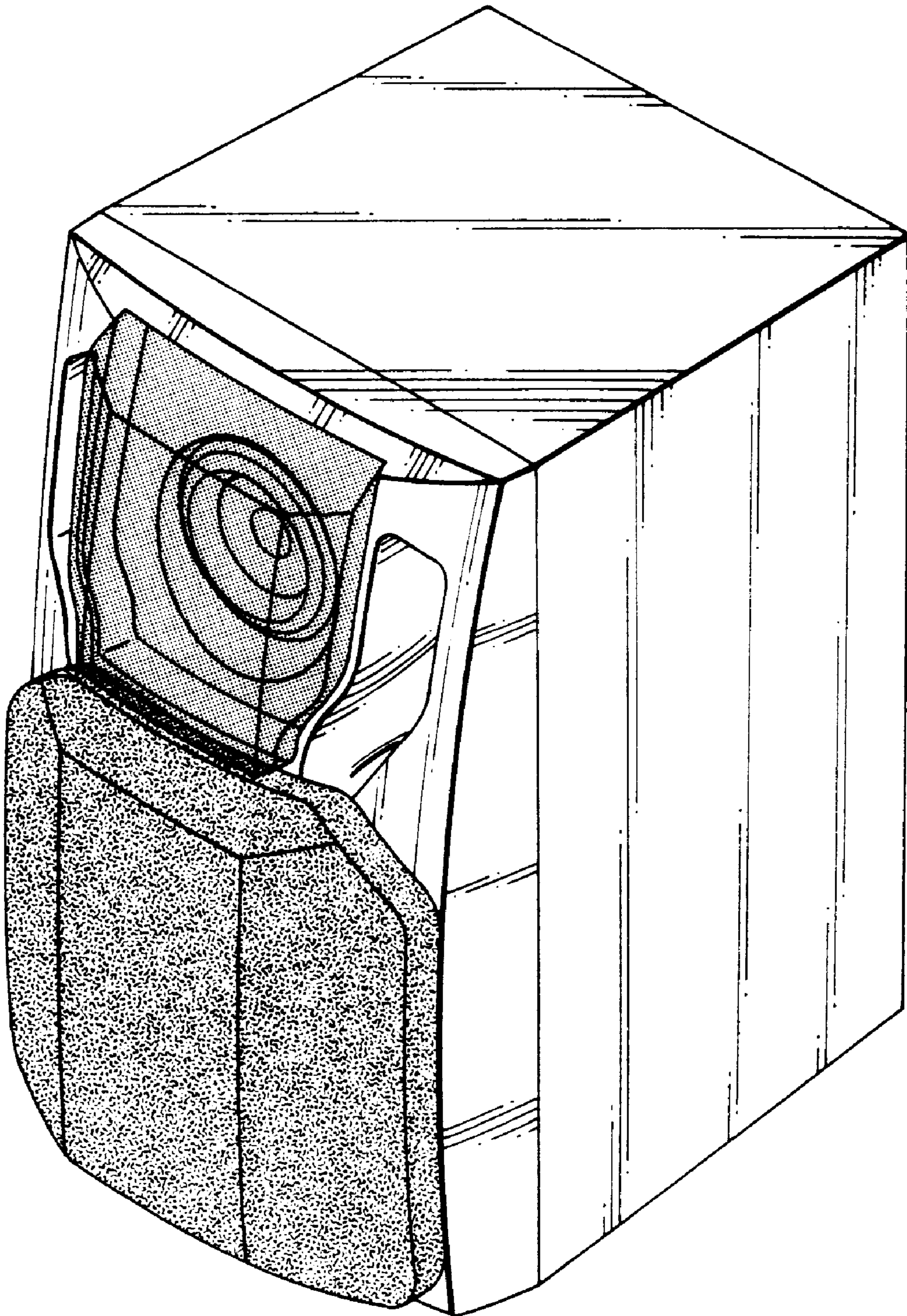


FIG.2

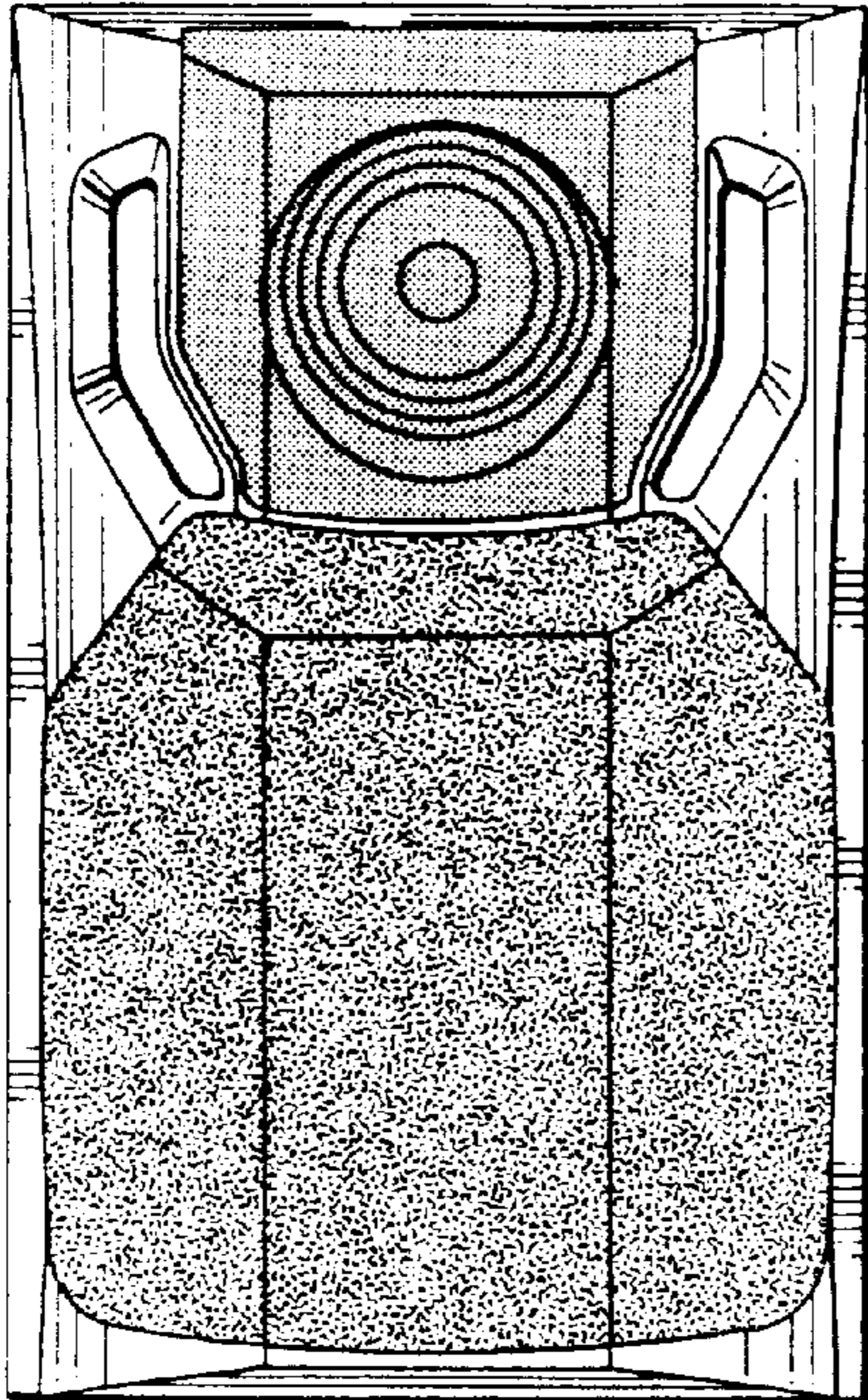


FIG.3

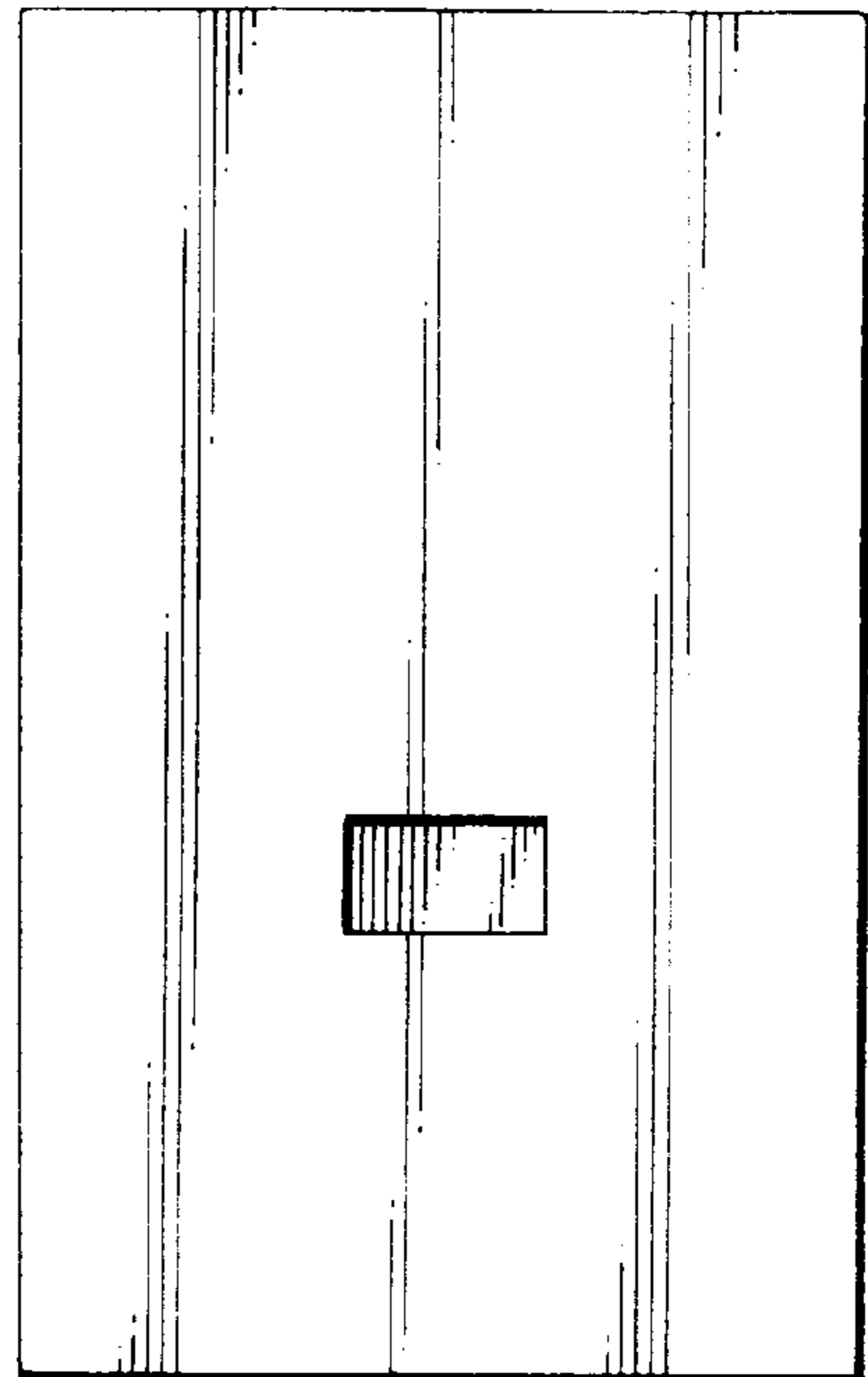


FIG.4

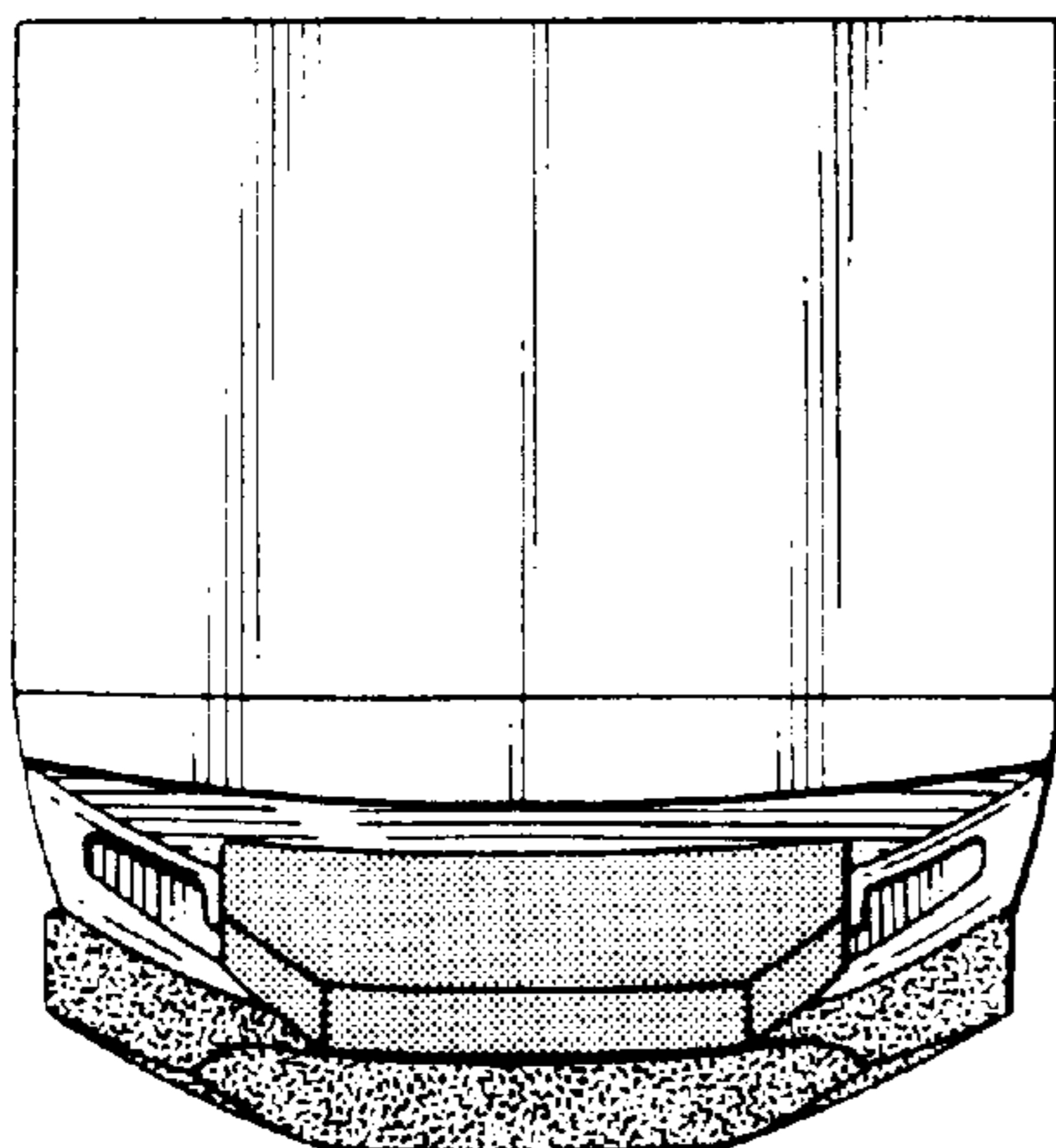


FIG.5

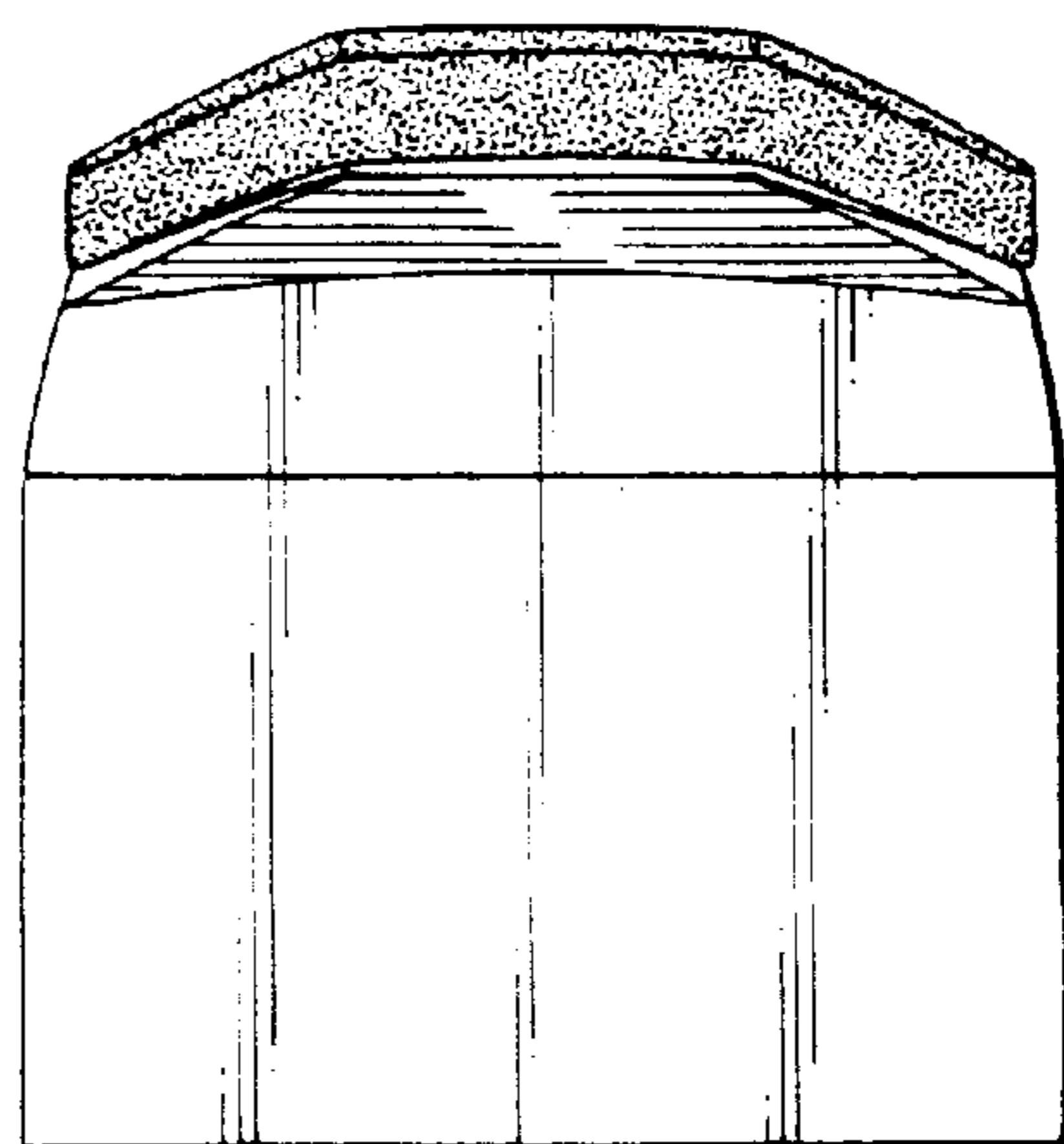


FIG.6

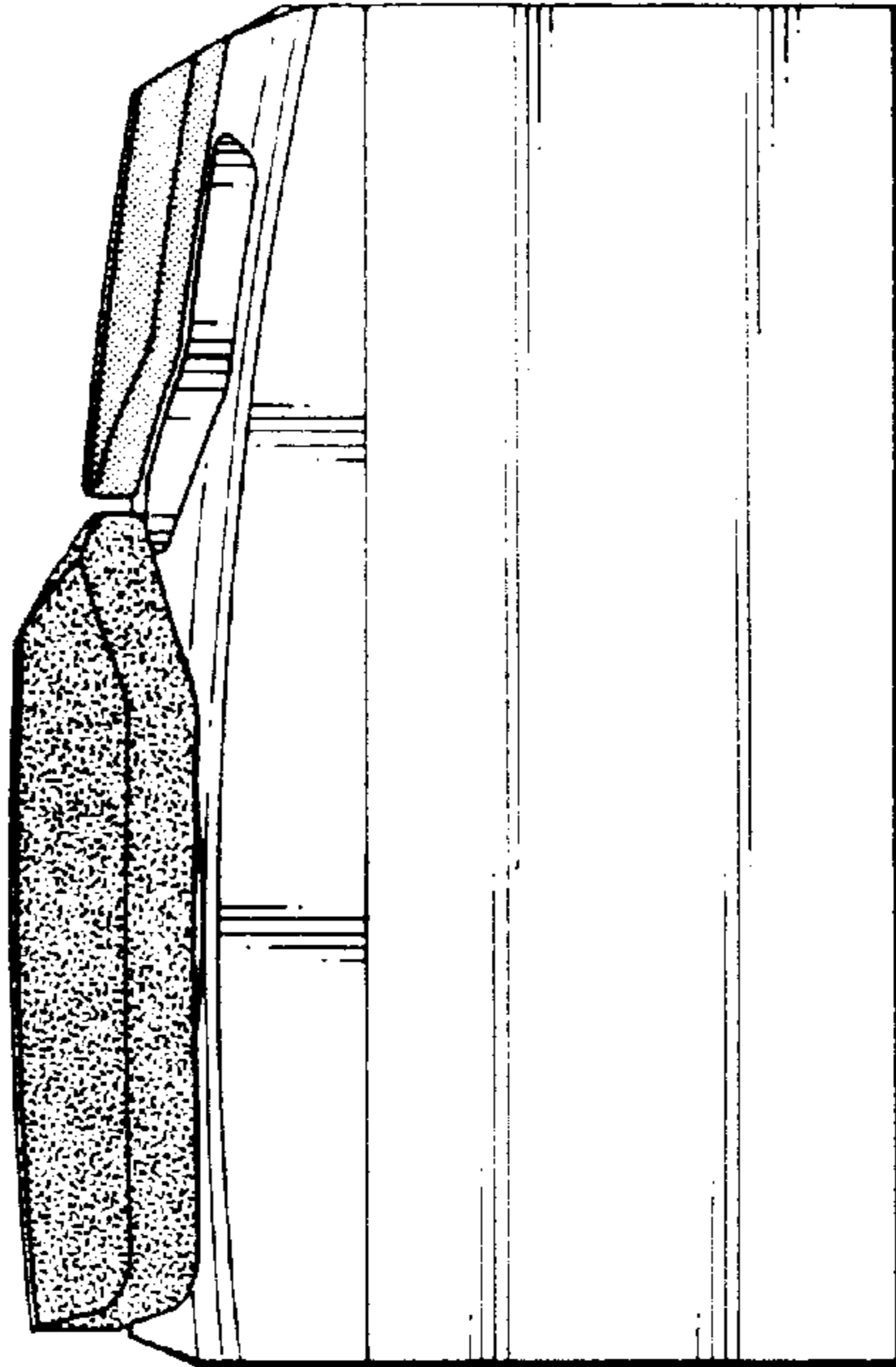


FIG.7

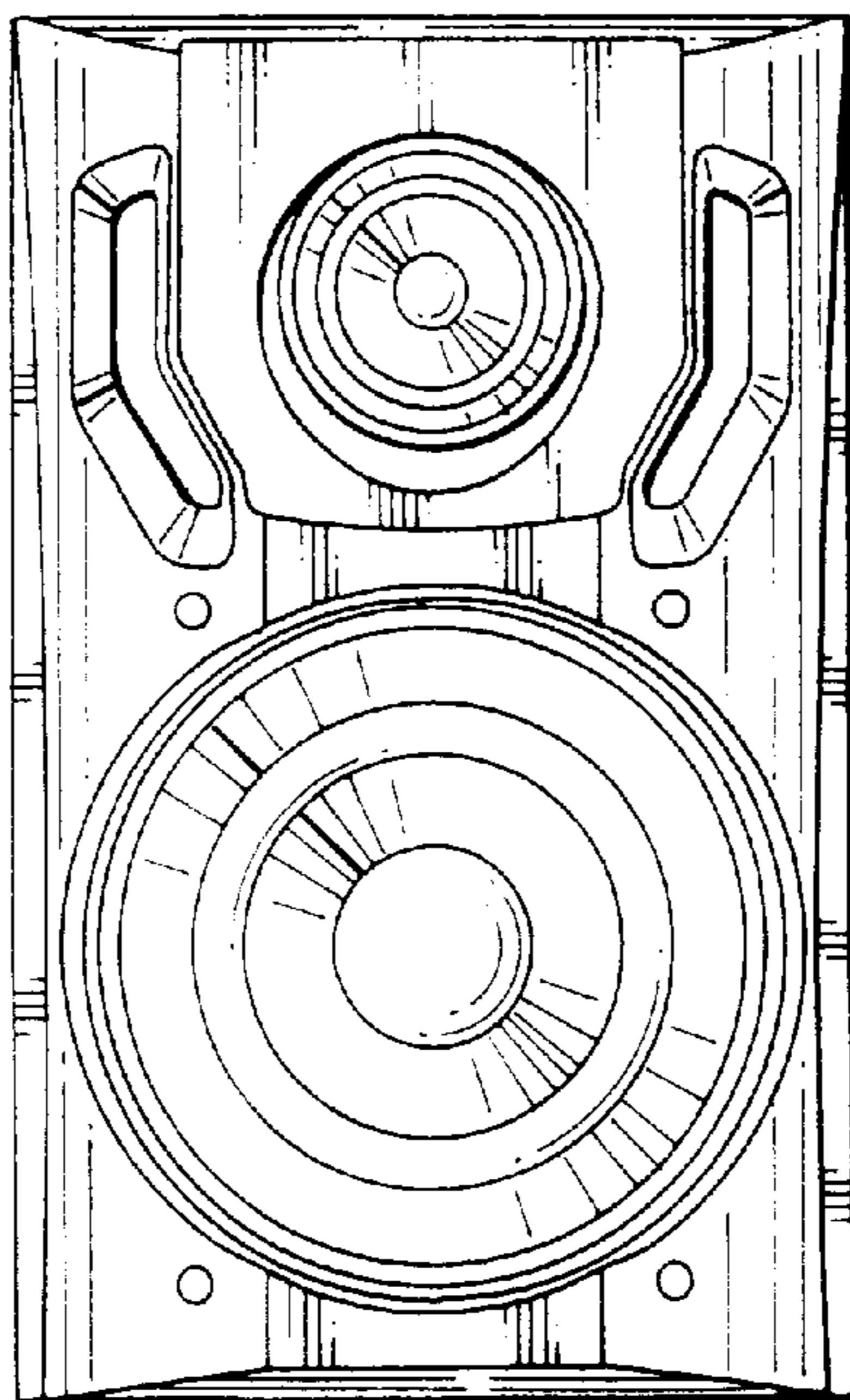


FIG.8

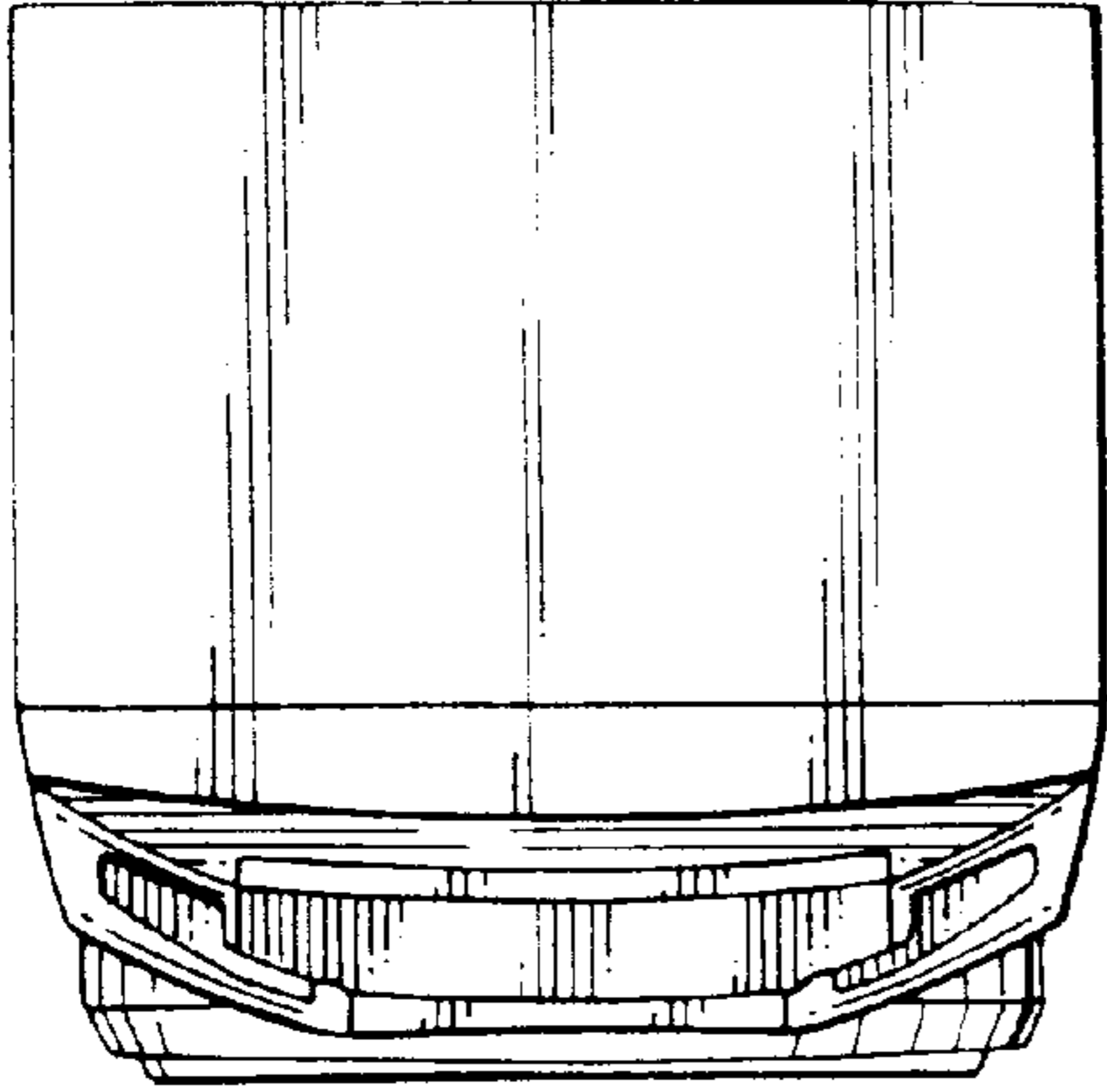


FIG.9

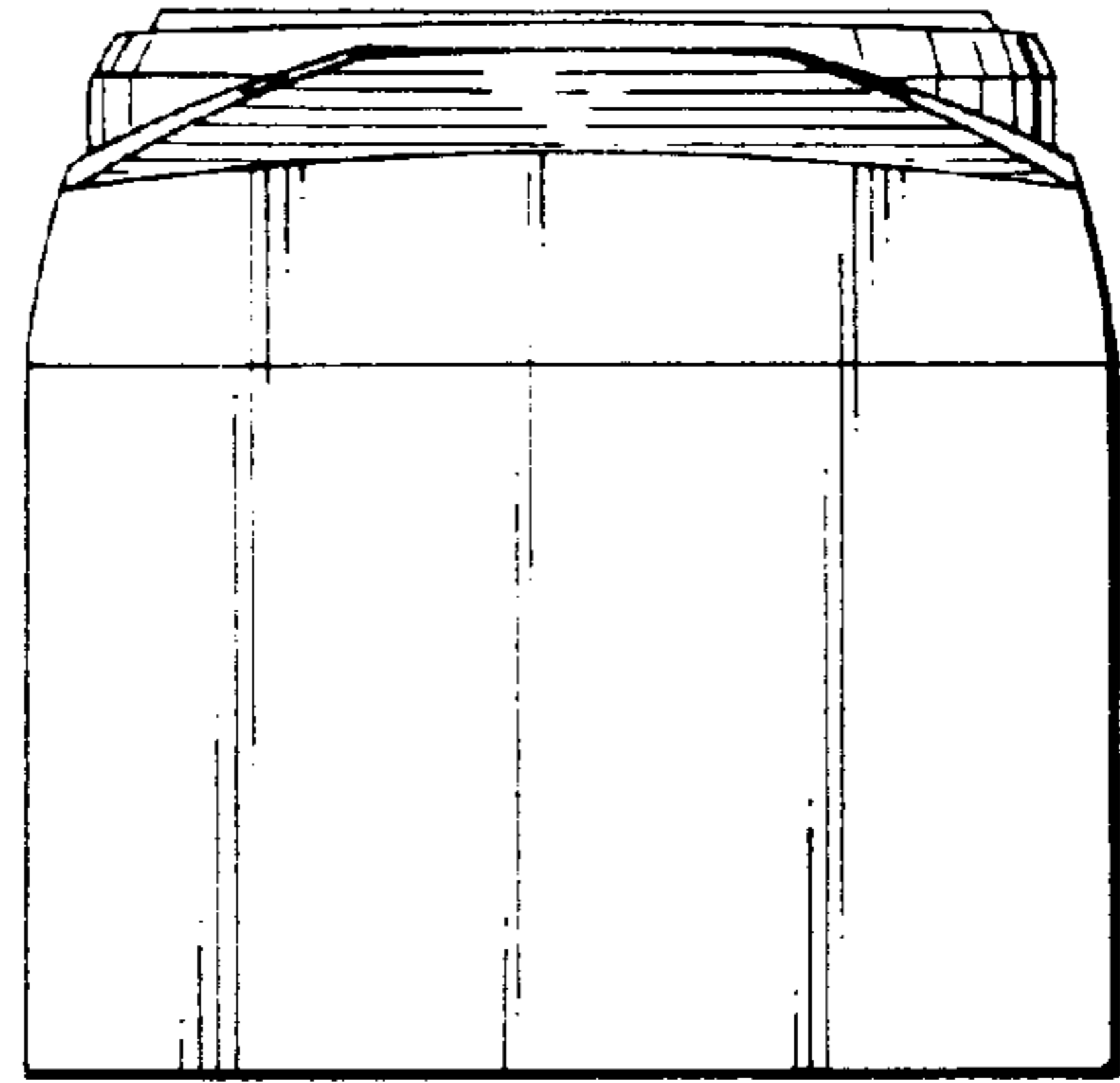


FIG.10

