



US00D425895S

United States Patent [19] Lyons

[11] **Patent Number: Des. 425,895**

[45] **Date of Patent: ** May 30, 2000**

[54] **BUMPER MOUNTED LOUD-SPEAKER**

[75] Inventor: **Jon H. Lyons**, Deep River, Conn.

[73] Assignee: **Whelen Engineering Company, Inc.**,
Chester, Conn.

[**] Term: **14 Years**

[21] Appl. No.: **29/109,953**

[22] Filed: **Aug. 26, 1999**

D. 269,872 7/1983 Ishizaki D14/214
D. 282,540 2/1986 Clason D14/214
D. 379,988 6/1997 Holdaway et al. D14/204 X

OTHER PUBLICATIONS

Radio Shack, p. 21, Dual 1½" speaker, model No. 40-155 (located in examiner's office), Aug. 1990.
Stereo review, p. 13, Home theater package (located in scientific library), Aug. 1993.

Primary Examiner—Nanda Bondade
Attorney, Agent, or Firm—Alix, Yale & Ristas, LLP

Related U.S. Application Data

[63] Continuation-in-part of application No. 29/092,800, Aug. 27, 1998, abandoned.

[51] **LOC (7) Cl.** **14-01**

[52] **U.S. Cl.** **D14/204**

[58] **Field of Search** D14/204, 209-216,
D14/221-222; 181/144-148, 150, 152-155,
157, 159, 171, 174; 381/300-302, 307,
359-364, 386

[56] References Cited

U.S. PATENT DOCUMENTS

D. 229,191 11/1973 Sandler D14/210
D. 238,182 12/1975 Kizawa D14/210

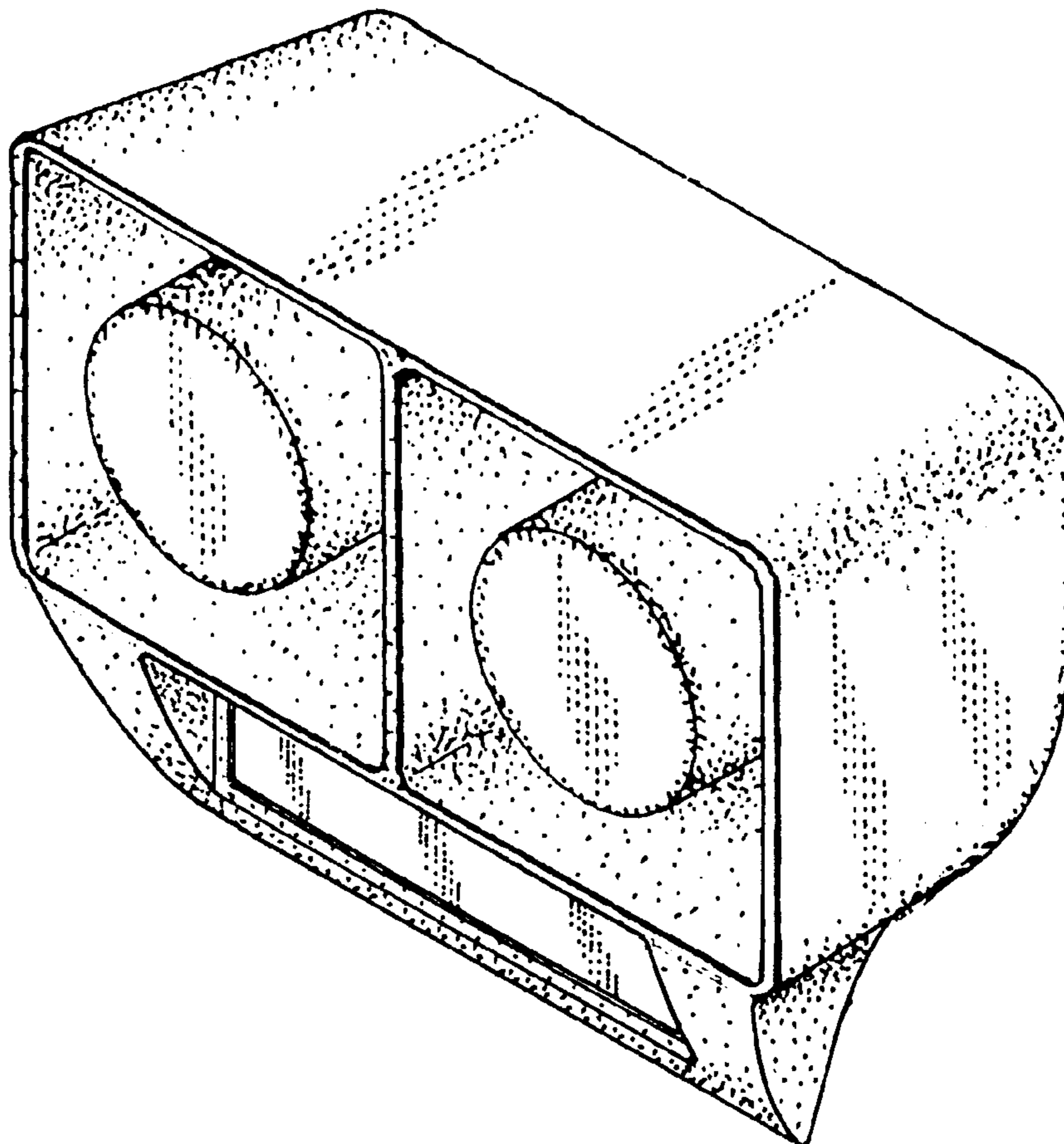
[57] CLAIM

The ornamental design for a bumper mounted loud-speaker, as shown and described.

DESCRIPTION

FIG. 1 is a top plan view of a bumper mounted loud-speaker showing my new design;
FIG. 2 is a front elevational view thereof;
FIG. 3 is a side elevational view thereof, the opposite side being a mirror image;
FIG. 4 is a bottom plan view thereof; and,
FIG. 5 is a perspective view thereof.
The appearance of my new design, as viewed from the rear, forms no part of the claimed design.

1 Claim, 3 Drawing Sheets



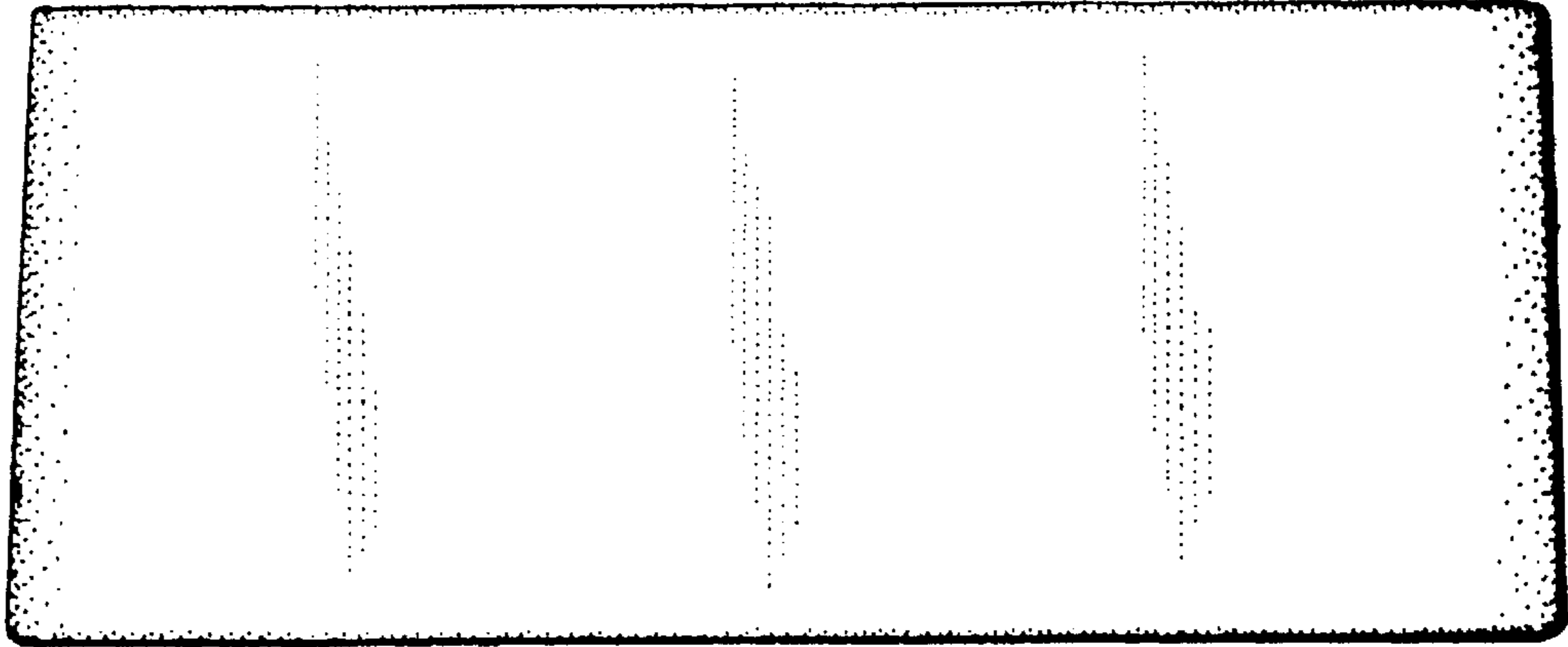


FIG. 1

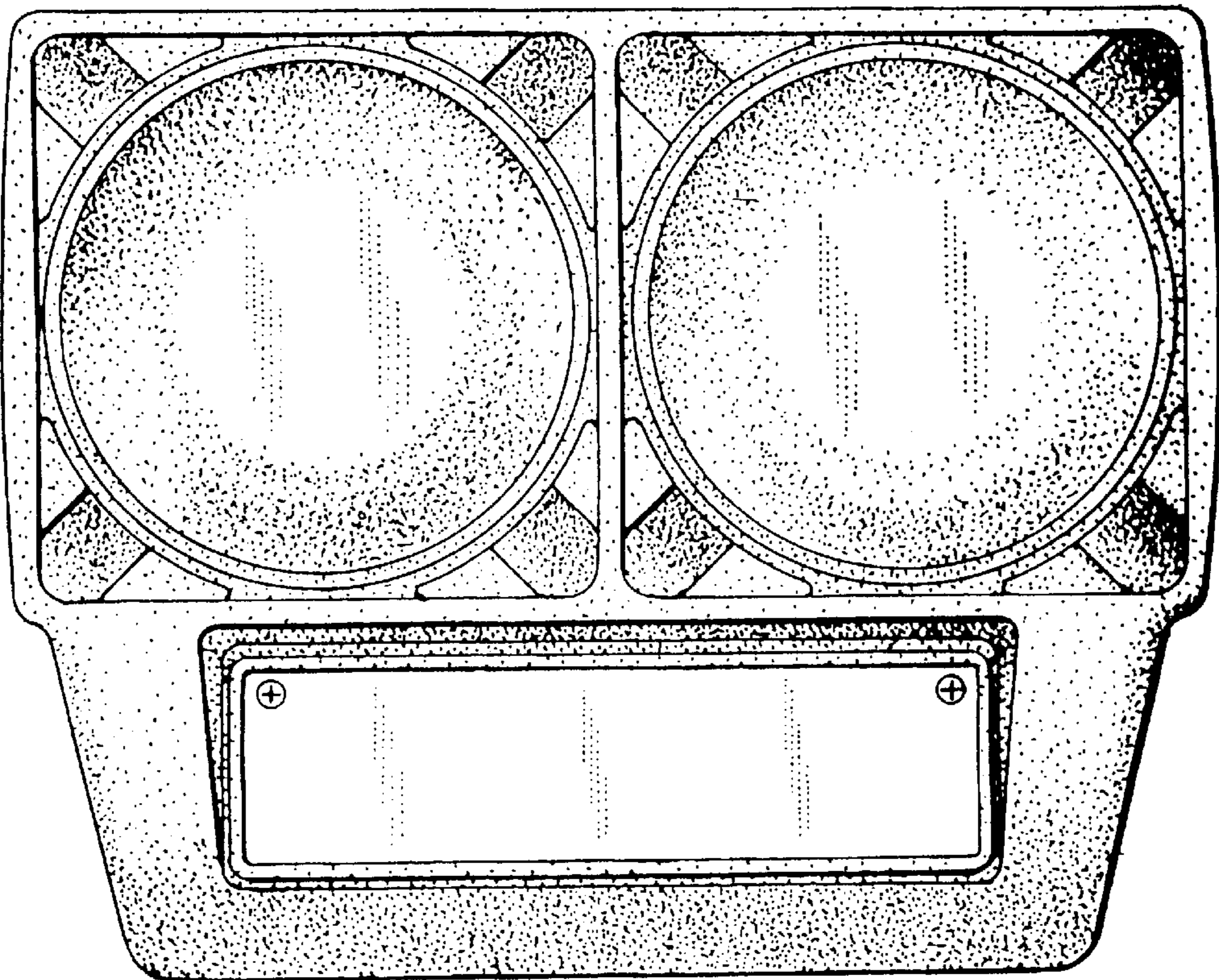


FIG. 2

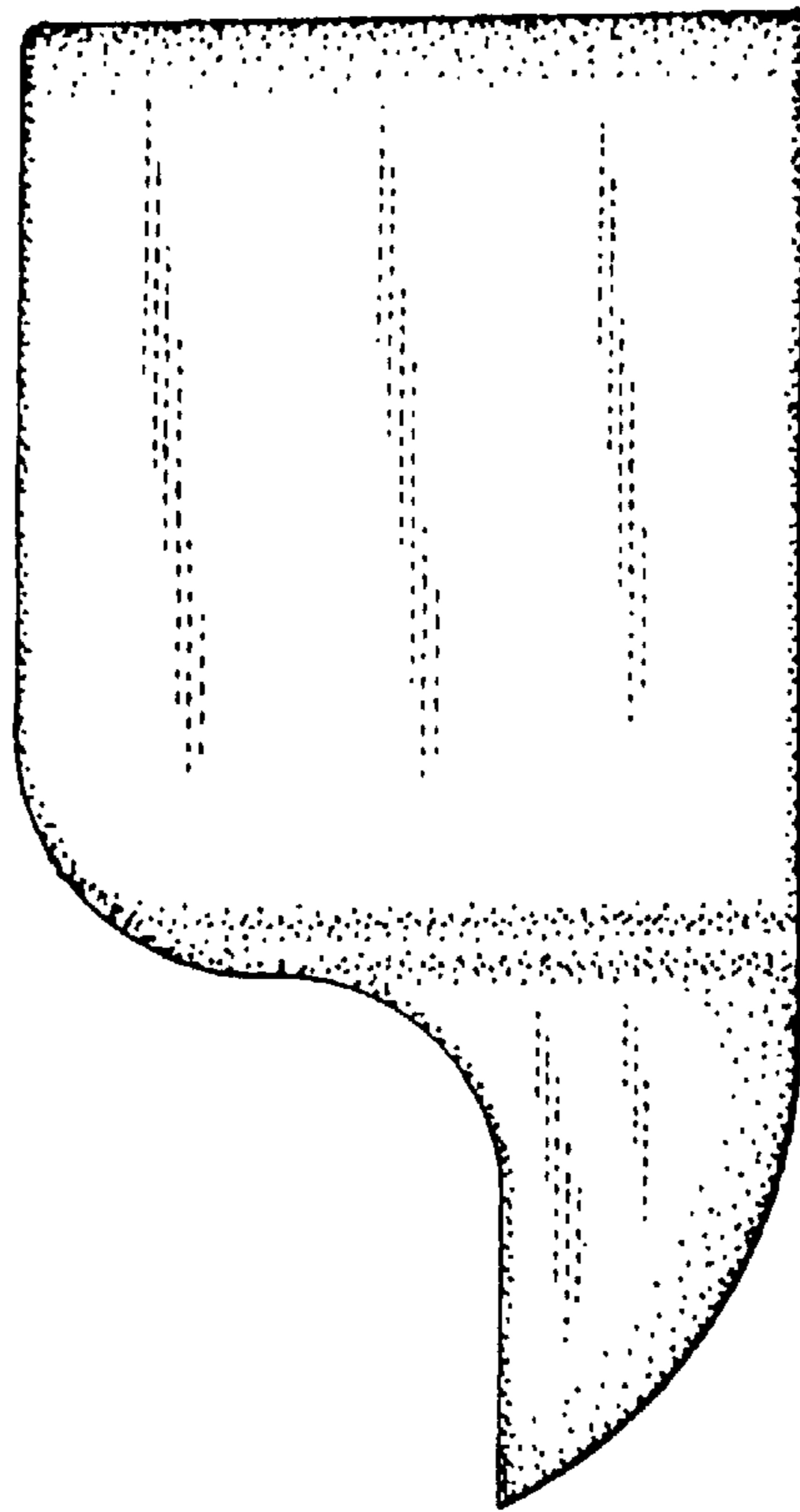


FIG. 3

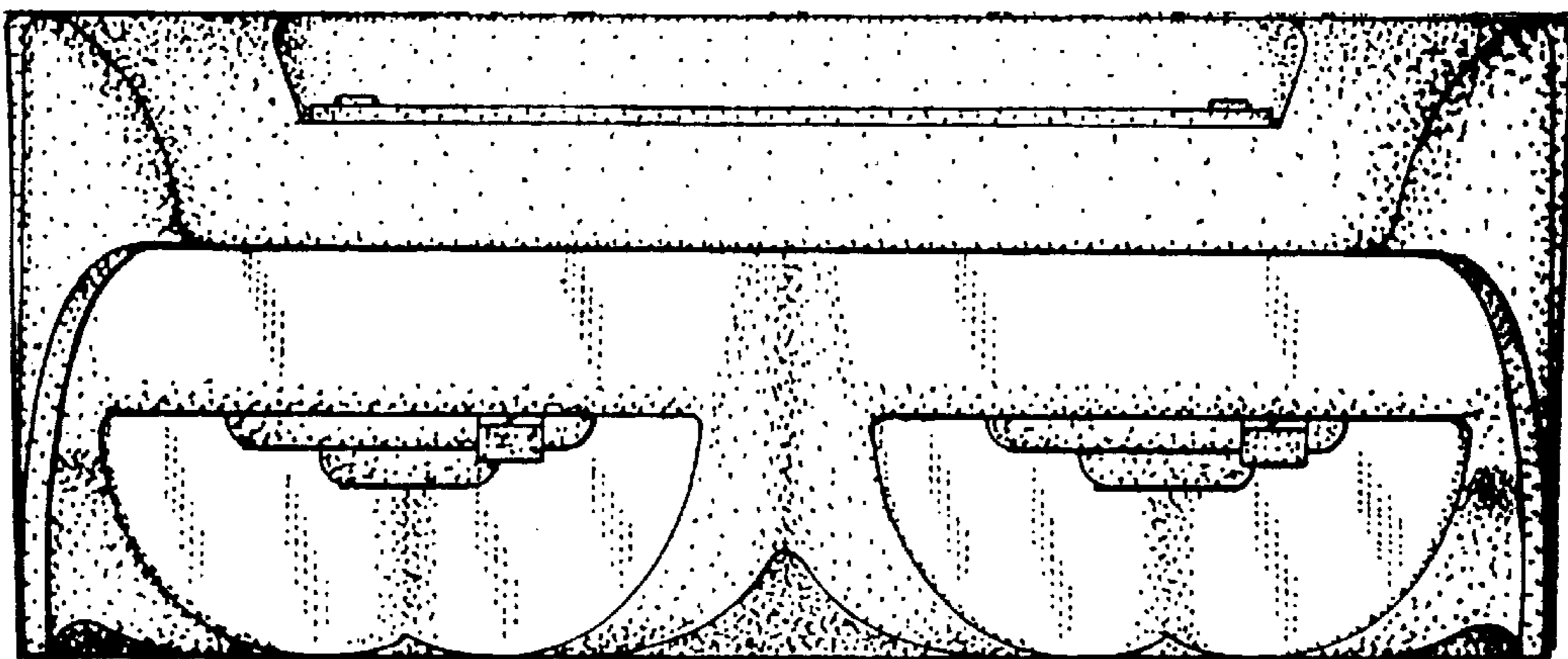


FIG. 4

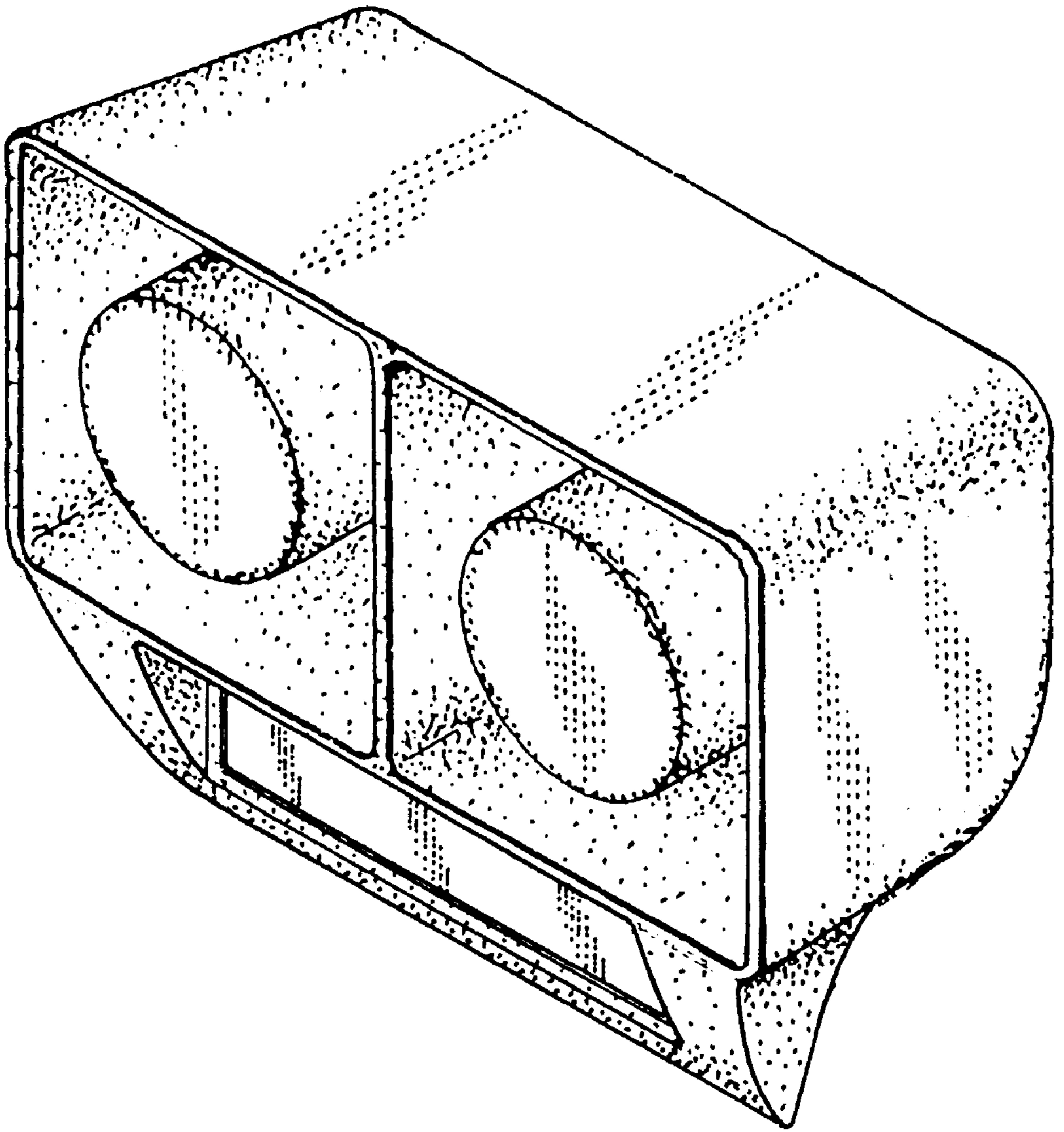


FIG. 5