



US00D425894S

# United States Patent [19] Chang

[11] **Patent Number: Des. 425,894**

[45] **Date of Patent: \*\* May 30, 2000**

[54] **MEGAPHONE**

1,683,879 9/1928 Ewald ..... 181/178  
2,172,413 9/1939 Scott ..... D10/120 X

[76] Inventor: **Chao-Chih Chang**, No. 39, Lane 29,  
Shih-Chia Rd., Tung Dist., Taichung  
City, Taiwan

*Primary Examiner*—Nanda Bondade  
*Attorney, Agent, or Firm*—Fish & Richardson P.C.

[\*\*] Term: **14 Years**

[57] **CLAIM**

[21] Appl. No.: **29/103,980**

The ornamental design for megaphone, as shown and dis-  
cribed.

[22] Filed: **Apr. 26, 1999**

**DESCRIPTION**

[51] **LOC (7) Cl.** ..... **14-03**

[52] **U.S. Cl.** ..... **D14/187**

[58] **Field of Search** ..... D10/104, 106,  
D10/120; D14/185–187, 204, 208; 181/177,  
179, 178, 190

FIG. 1 is a perspective view of megaphone showing my new  
design;

FIG. 2 is a front elevational view thereof;

FIG. 3 is a rear elevational view thereof;

FIG. 4 is a left side elevational view thereof;

FIG. 5 is a right side elevational view thereof;

FIG. 6 is a top plan view thereof;

FIG. 7 is a bottom plan view thereof; and,

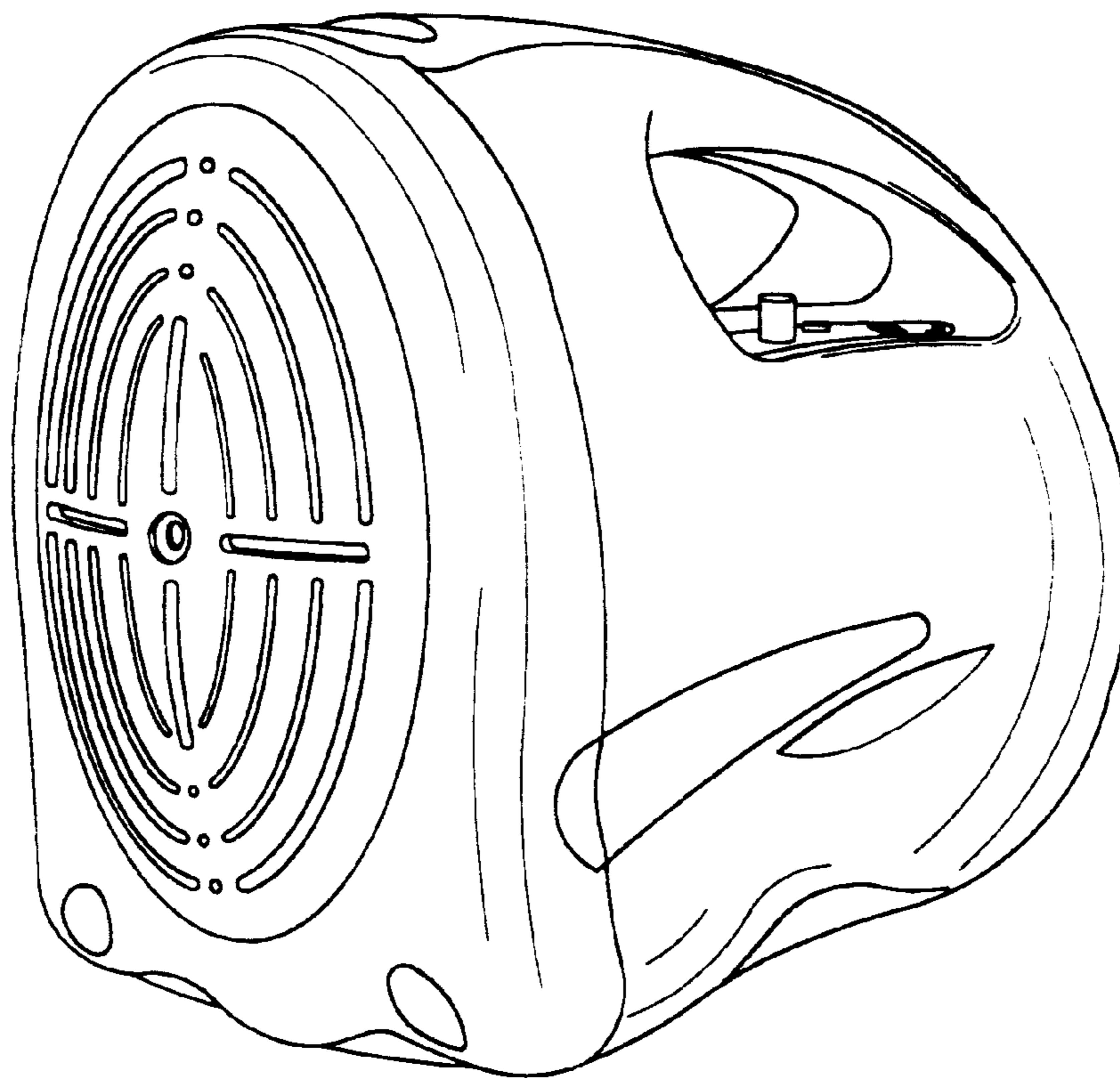
FIG. 8 is a perspective view when in use; the broken line  
showing of the wire and microphone is for illustrative  
purposes only and forms no part of the claimed design.

[56] **References Cited**

### U.S. PATENT DOCUMENTS

D. 116,793 9/1939 Carbonaro ..... D10/120  
D. 215,974 11/1969 Berns ..... D10/120  
D. 312,591 12/1990 Memmola ..... D10/120  
D. 329,615 9/1992 Stiner ..... D10/104  
D. 361,536 8/1995 Pagani et al. .... D10/120

**1 Claim, 5 Drawing Sheets**



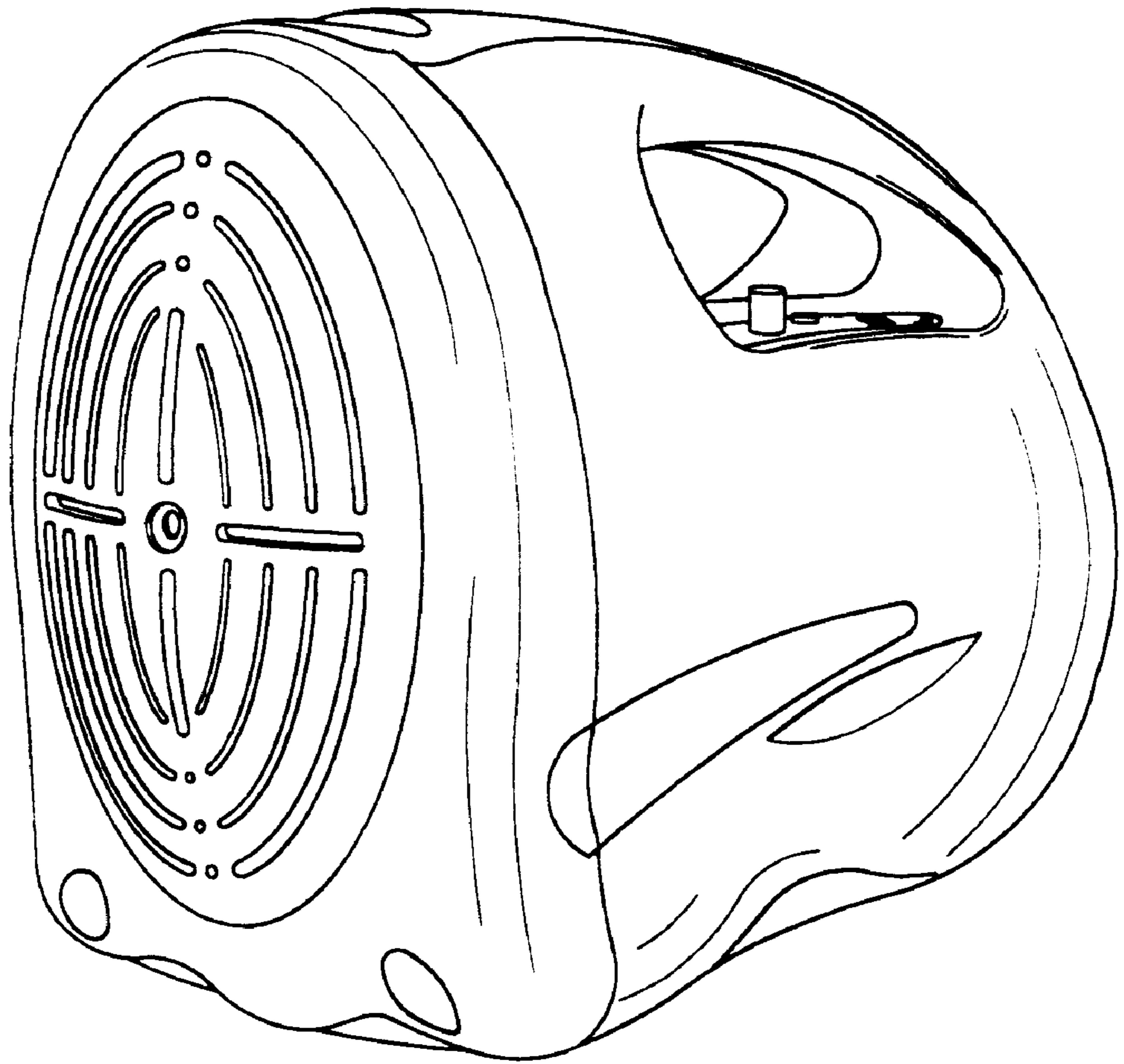


FIG. 1

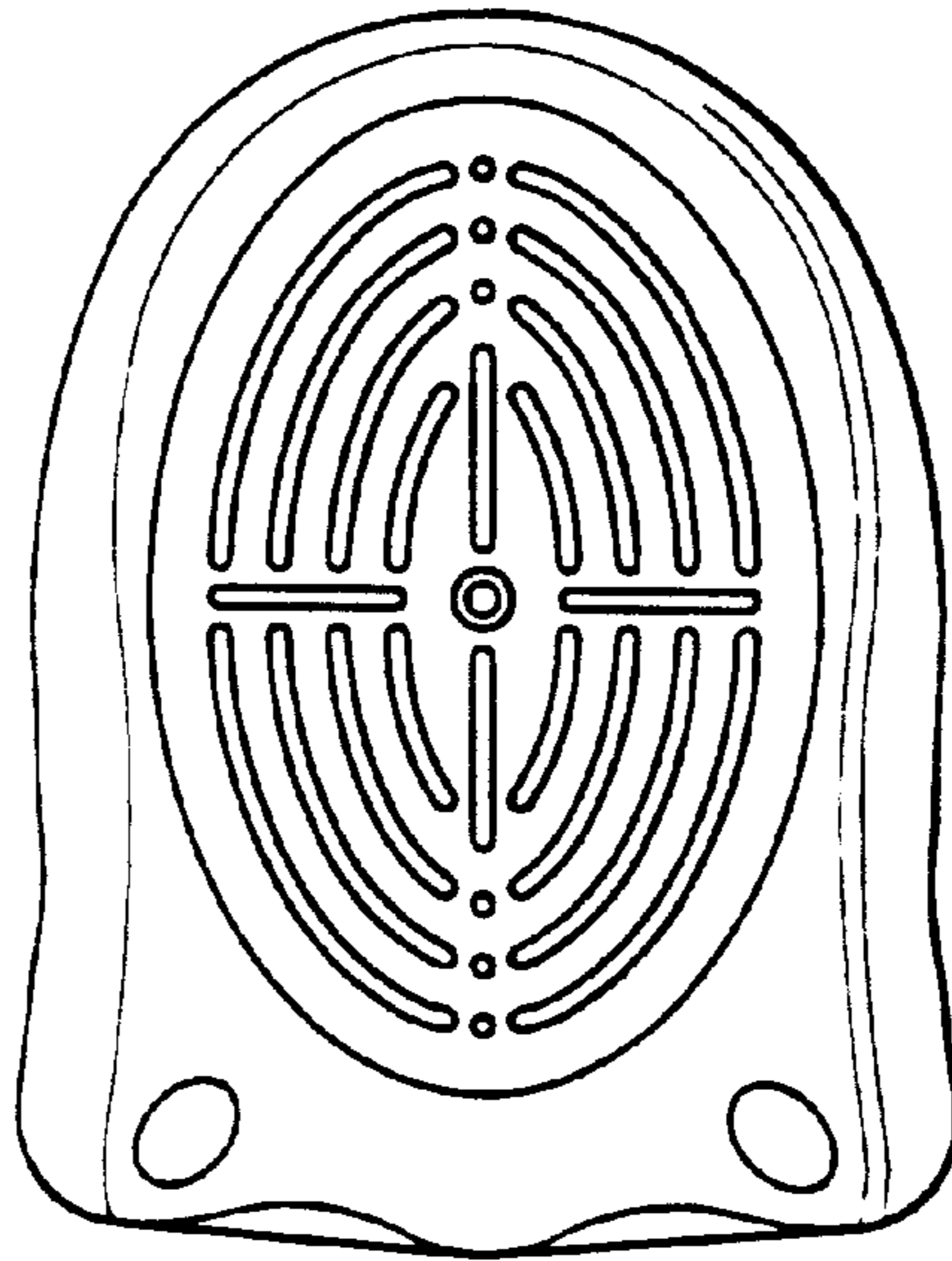


FIG. 2

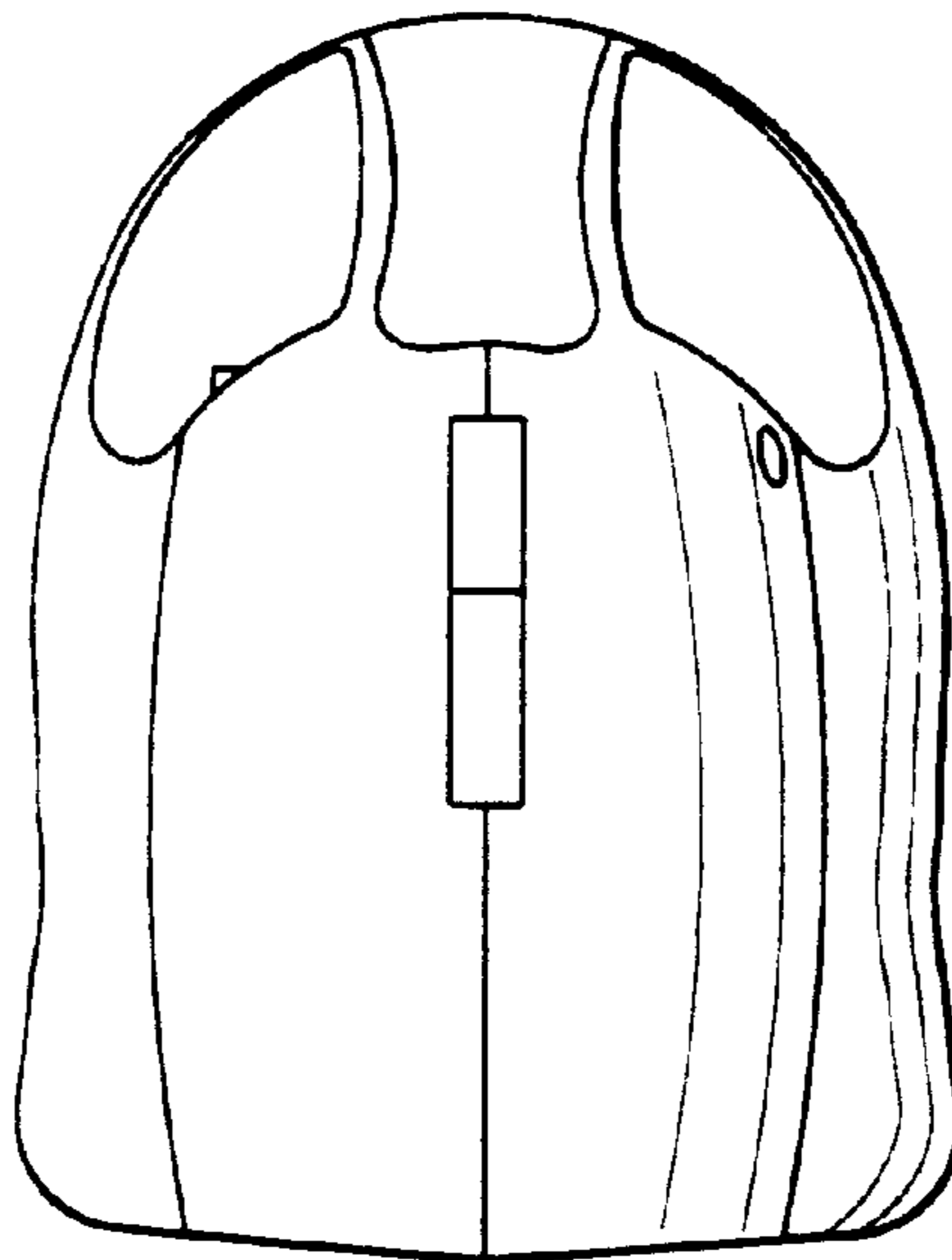


FIG. 3

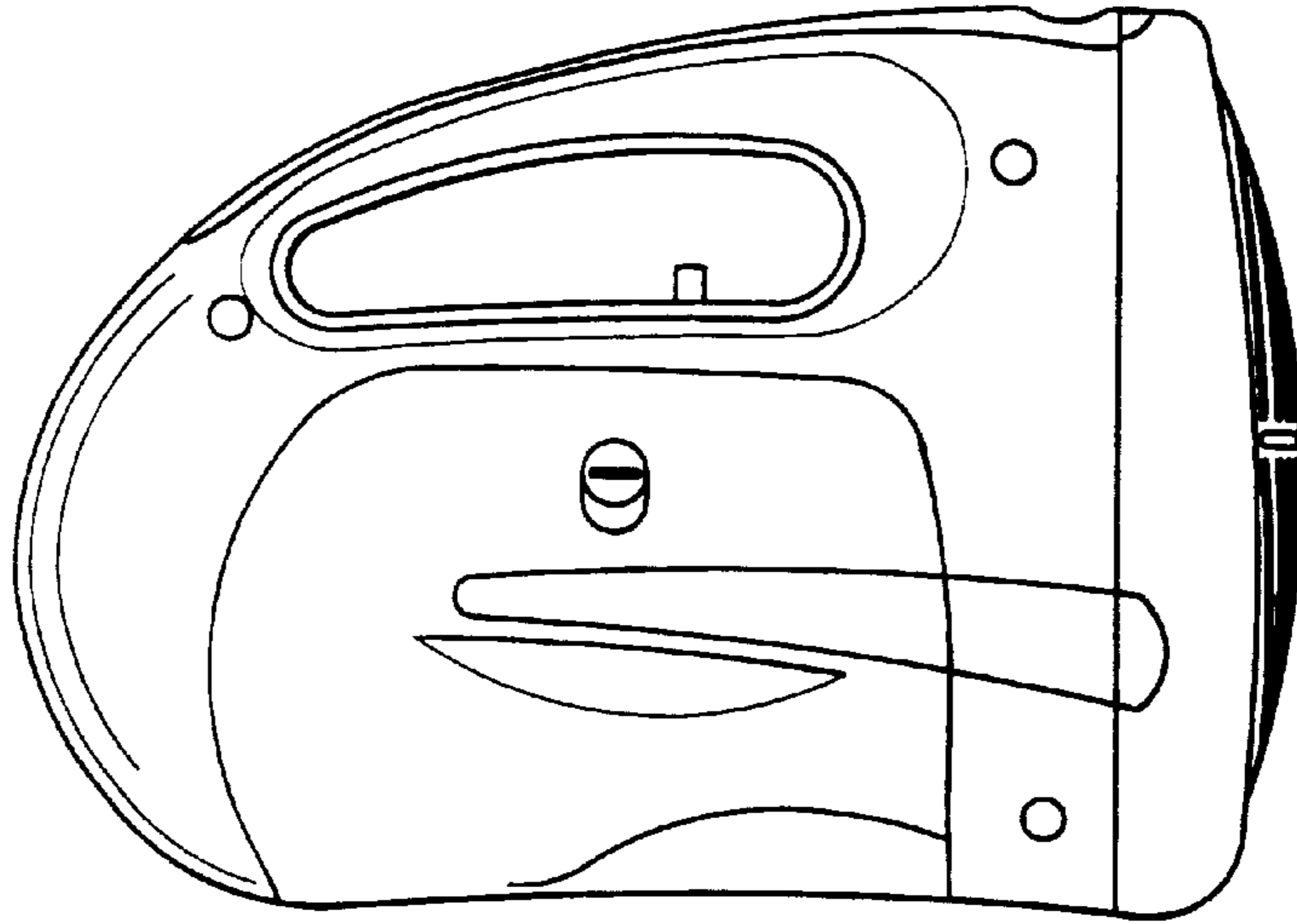


FIG. 4

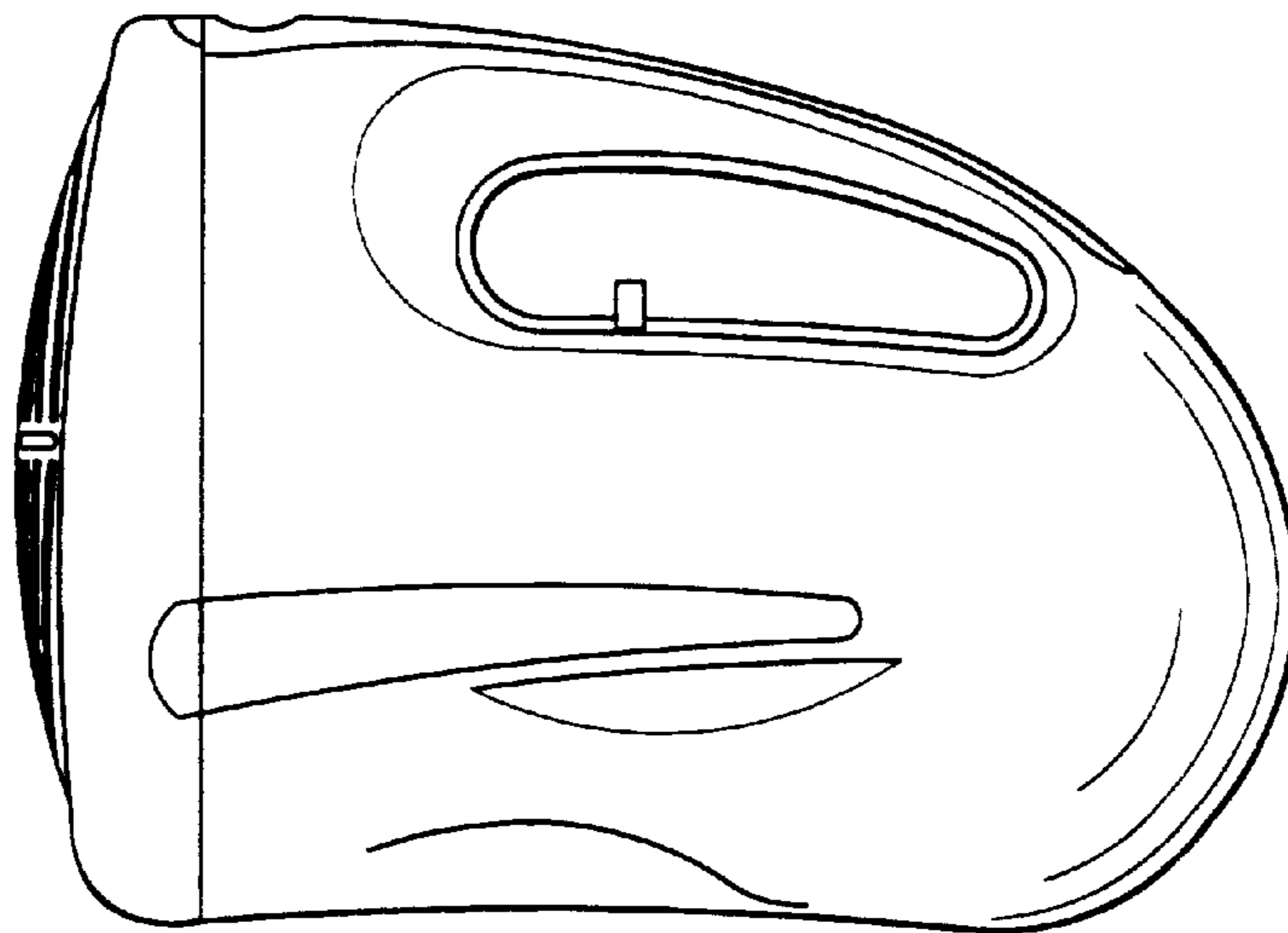


FIG. 5

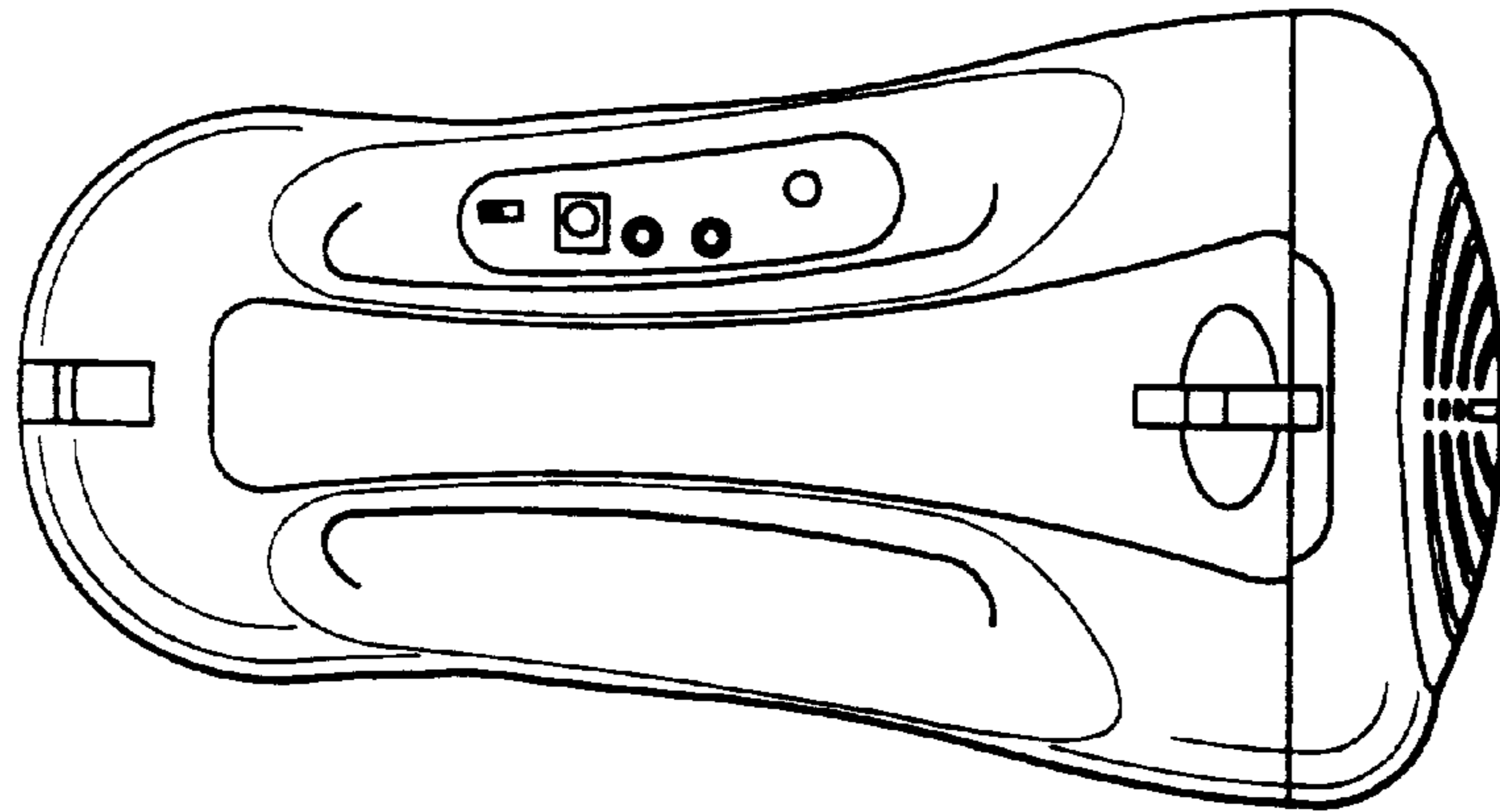


FIG. 6

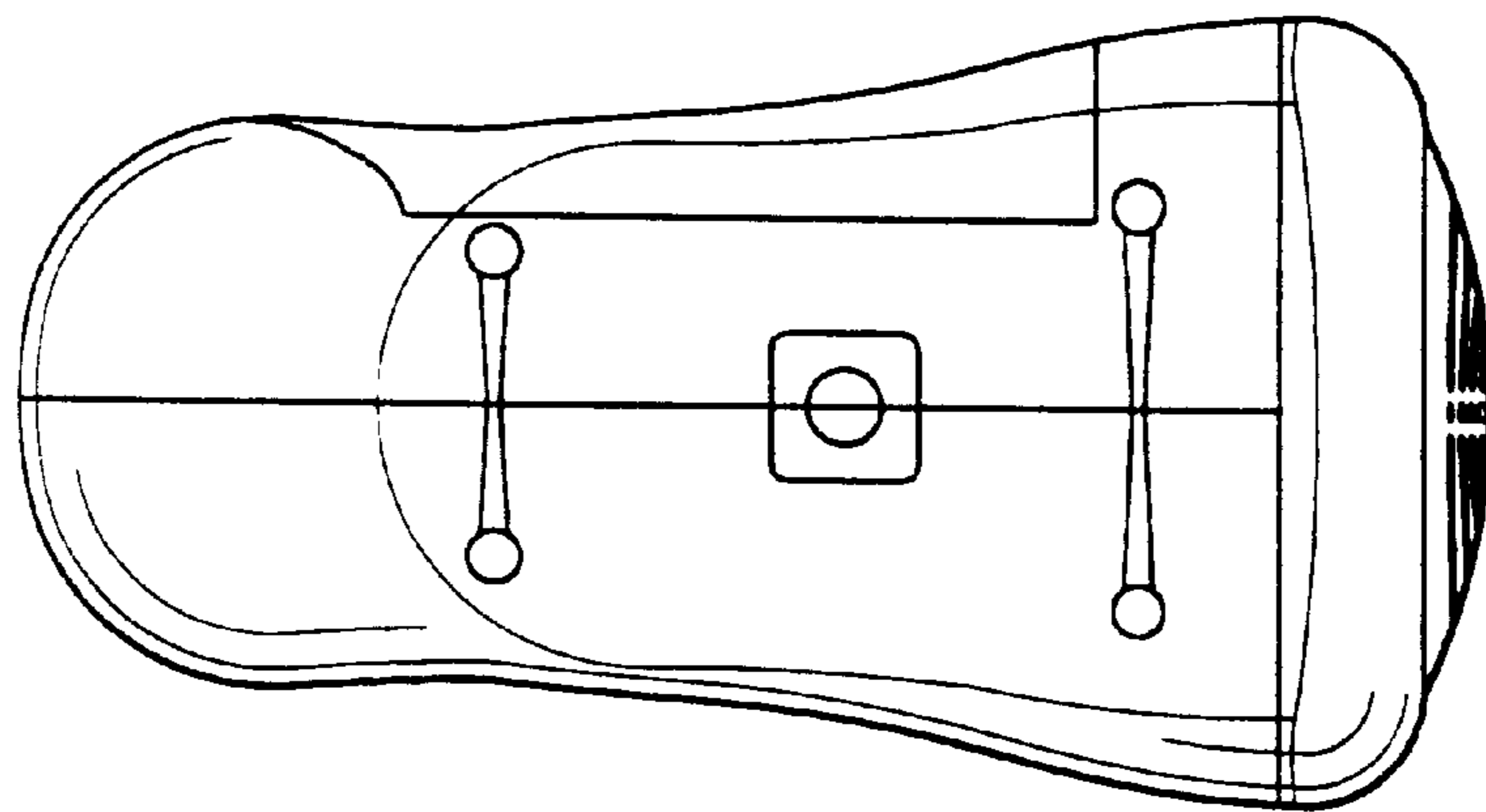


FIG. 7



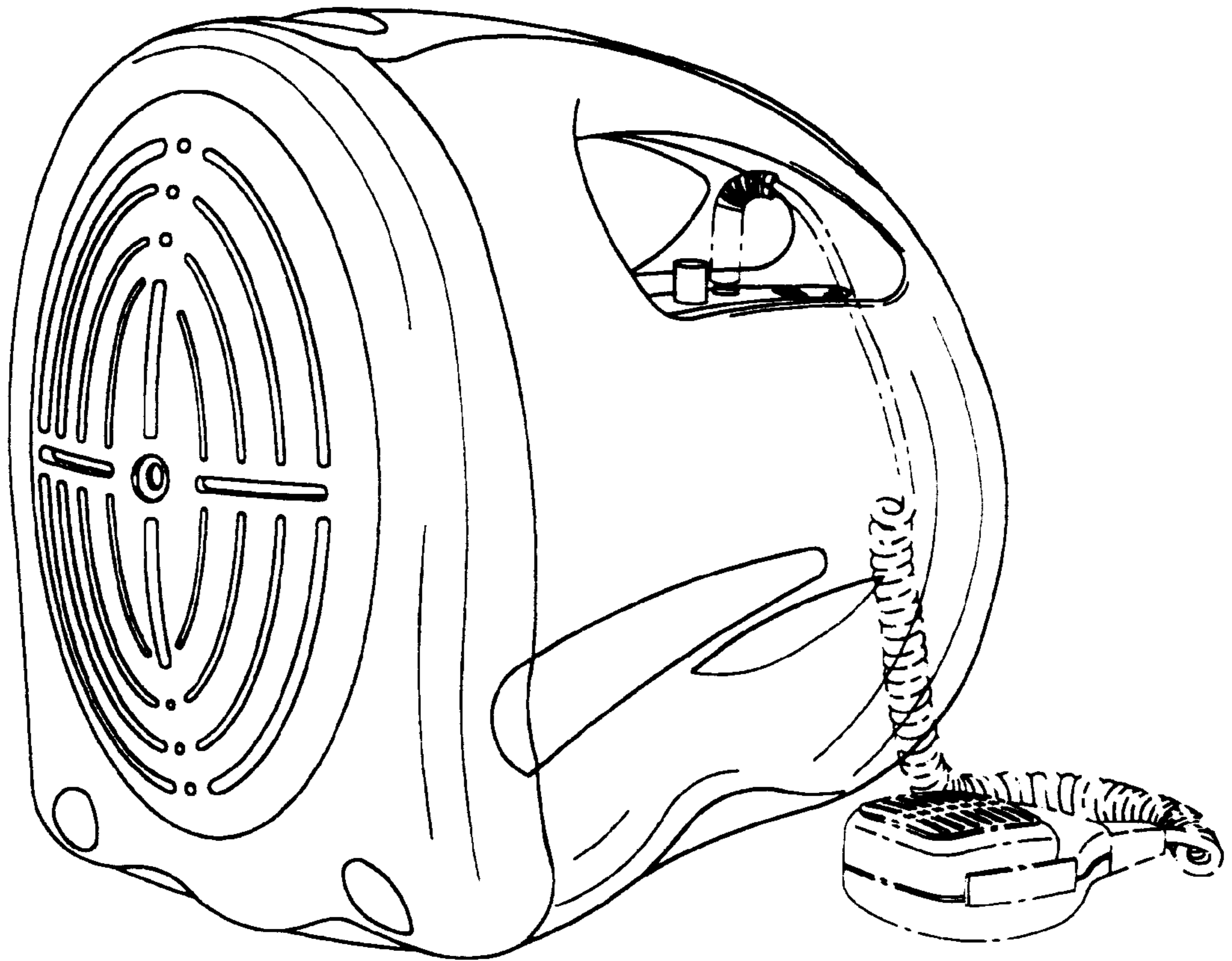


FIG. 8