



US00D425892S

# United States Patent [19]

[11] Patent Number: Des. 425,892

Ito et al.

[45] Date of Patent: \*\* May 30, 2000

[54] **COMBINED DIGITAL AUDIO DISC PLAYER, RADIO TUNER, AMPLIFIER AND TAPE RECORDER**

[75] Inventors: **Masafumi Ito; Hiroyuki Watanabe,**  
both of Musashino, Japan

[73] Assignee: **Teac Corporation,** Tokyo, Japan

[\*\*] Term: **14 Years**

[21] Appl. No.: **29/095,751**

[22] Filed: **Oct. 29, 1998**

### Related U.S. Application Data

[62] Division of application No. 29/089,209, Jun. 10, 1998.

### [30] Foreign Application Priority Data

Dec. 17, 1997	[JP]	Japan	9-78697
Dec. 17, 1997	[JP]	Japan	9-78698
Apr. 1, 1998	[JP]	Japan	10-9230

[51] **LOC (7) Cl.** ..... **14-01**

[52] **U.S. Cl.** ..... **D14/168**

[58] **Field of Search** ..... D14/124, 156,  
D14/160-165, 167-171, 188, 193-198;  
455/344, 347-351

### [56] References Cited

#### U.S. PATENT DOCUMENTS

D. 343,393	1/1994	Ito et al.	D14/168
D. 350,754	9/1994	Sasago	D14/168
D. 365,822	1/1996	Ito et al.	D14/168
D. 389,147	1/1998	Ito et al.	D14/168

*Primary Examiner*—Nanda Bondade  
*Attorney, Agent, or Firm*—Ladas & Parry

### [57] CLAIM

The ornamental design for a combined digital audio disc player, radio tuner, amplifier and tape recorder, as shown and described.

### DESCRIPTION

FIG. 1 is a perspective view of a combined digital audio disc player, radio tuner, amplifier and tape recorder showing our new design;  
FIG. 2 is a front view of FIG. 1;  
FIG. 3 is a rear view of FIG. 1;  
FIG. 4 is a top view of FIG. 1;  
FIG. 5 is a bottom view of FIG. 1;  
FIG. 6 is a left side view of FIG. 1; and,  
FIG. 7 is a right side view of FIG. 1.

**1 Claim, 2 Drawing Sheets**

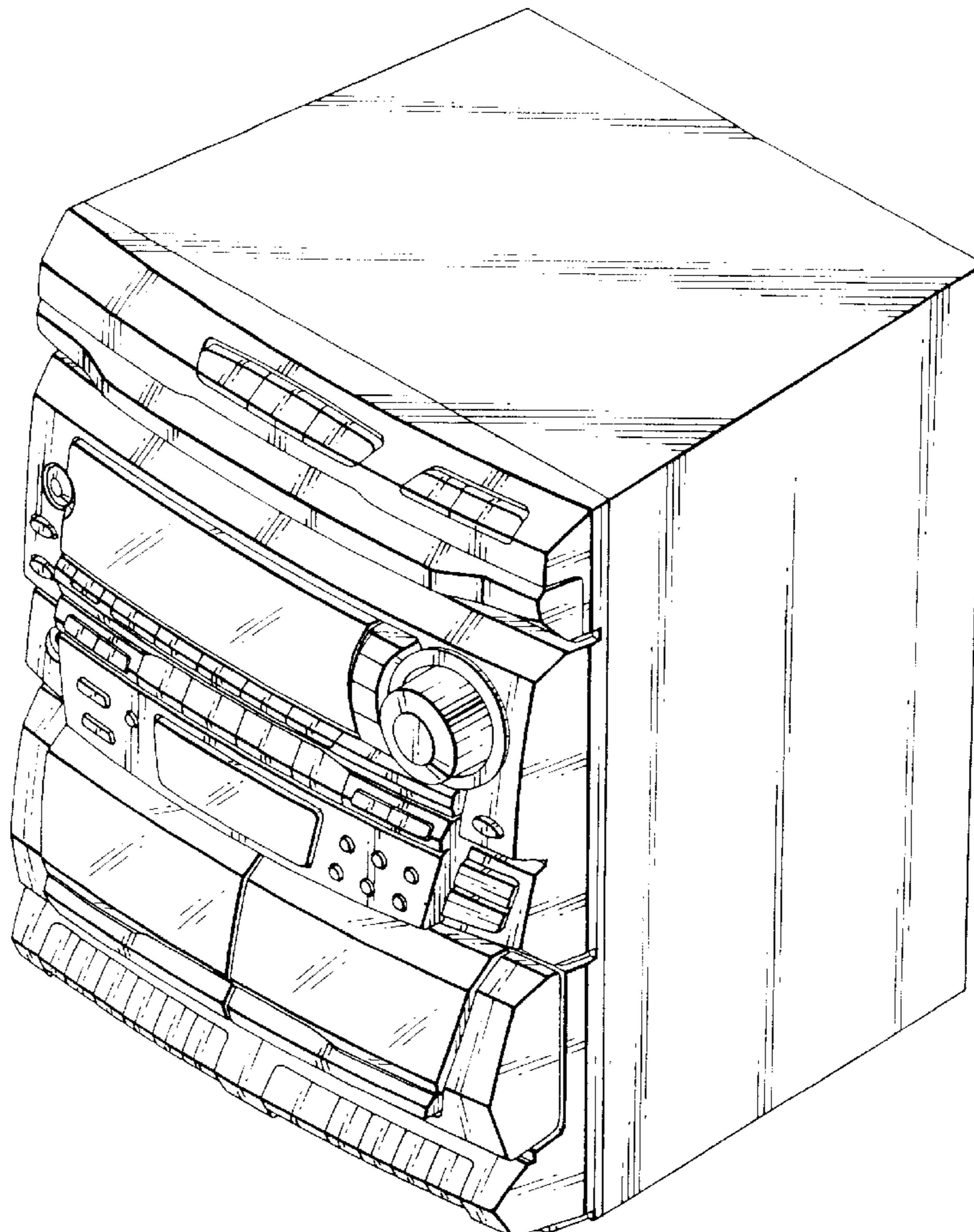


FIG. 1

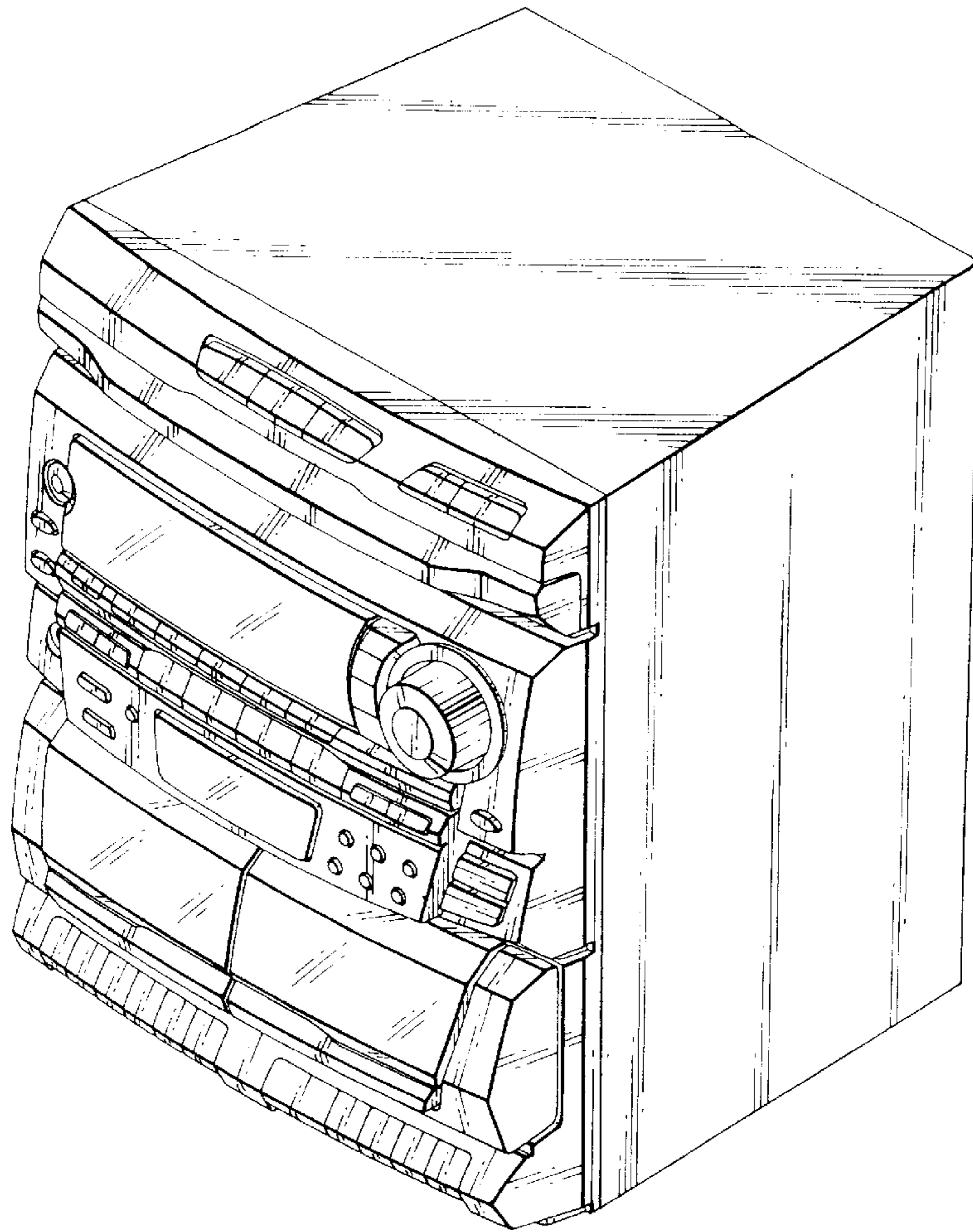


FIG. 2

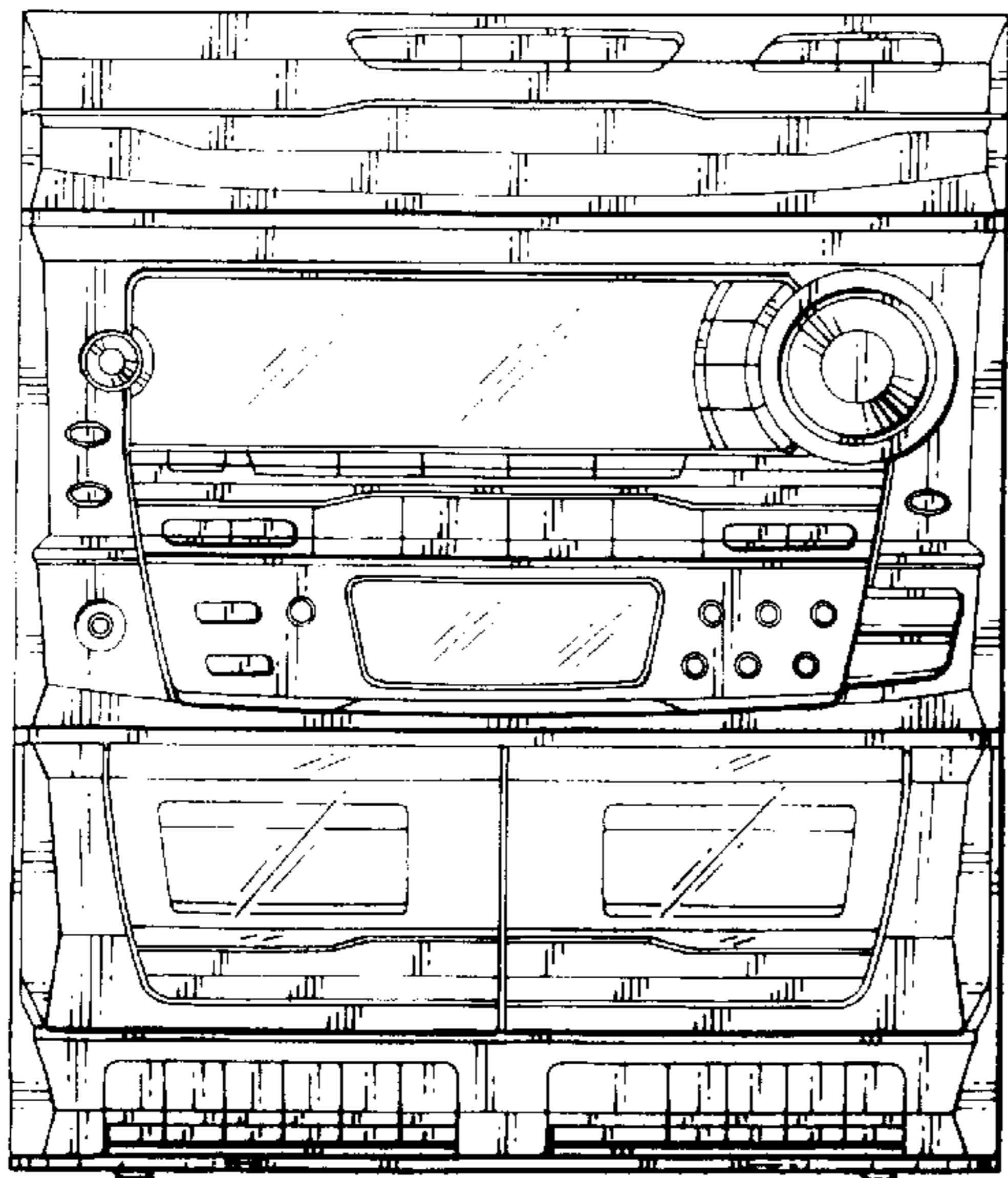


FIG. 3

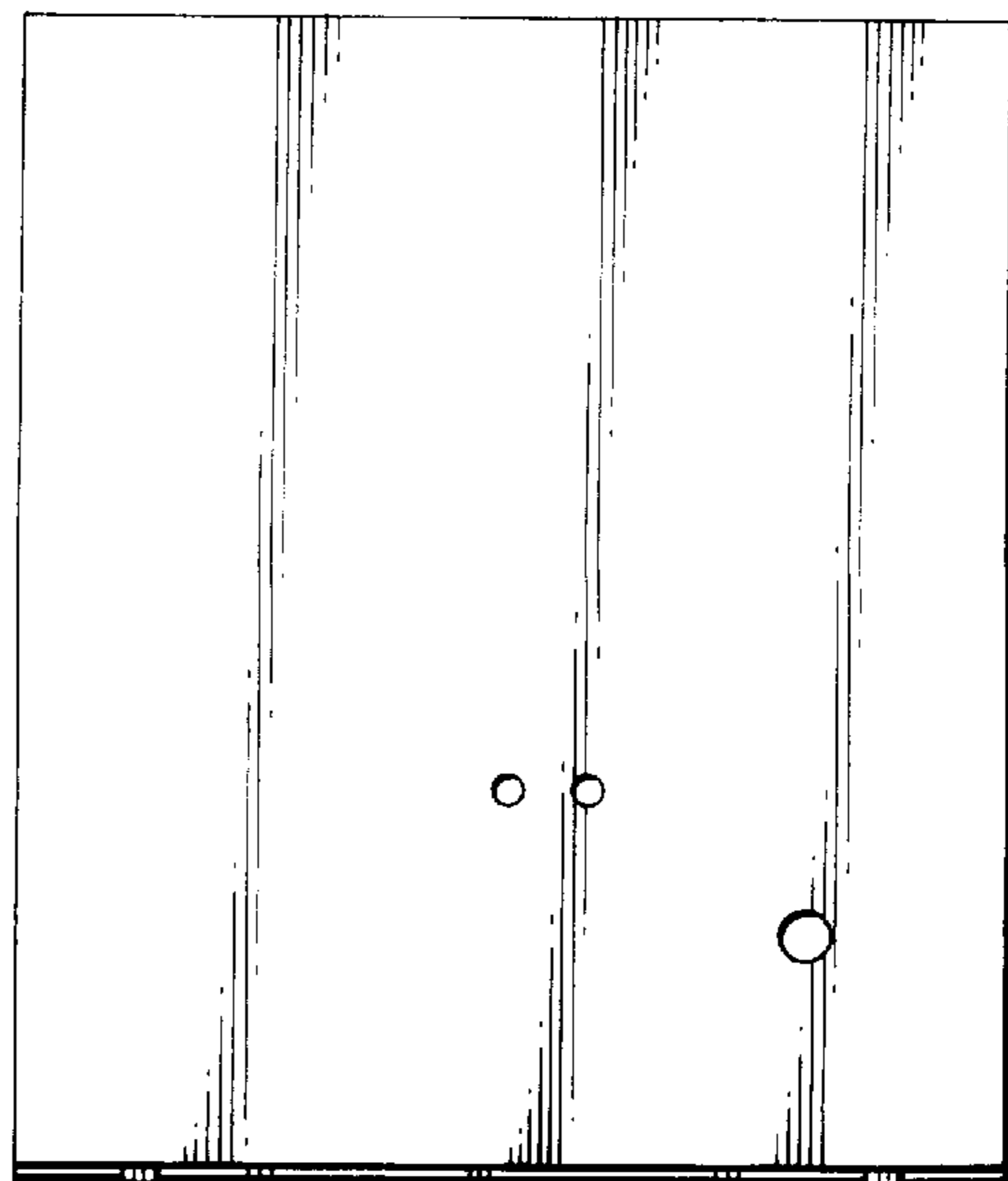


FIG. 4

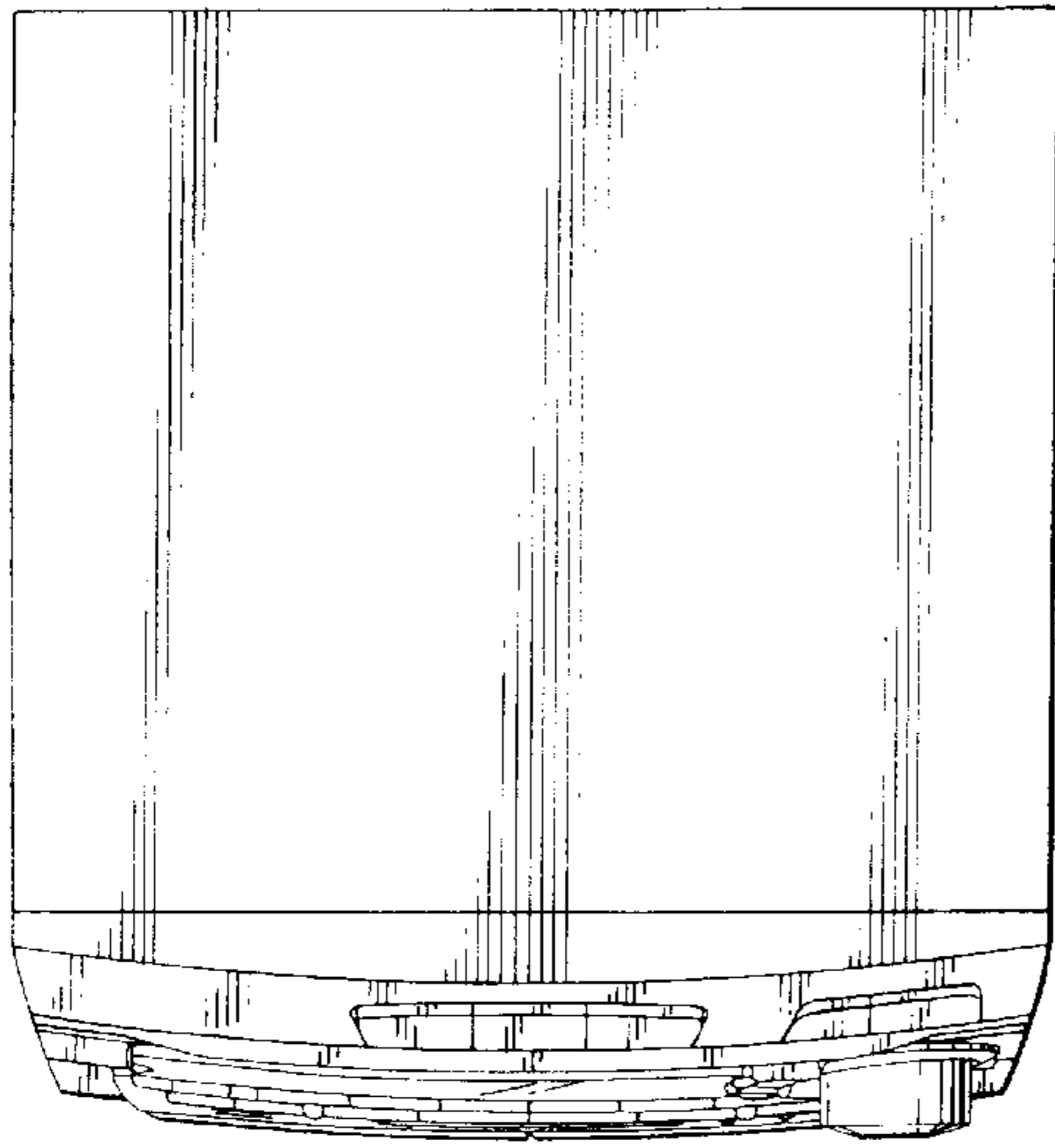


FIG. 5

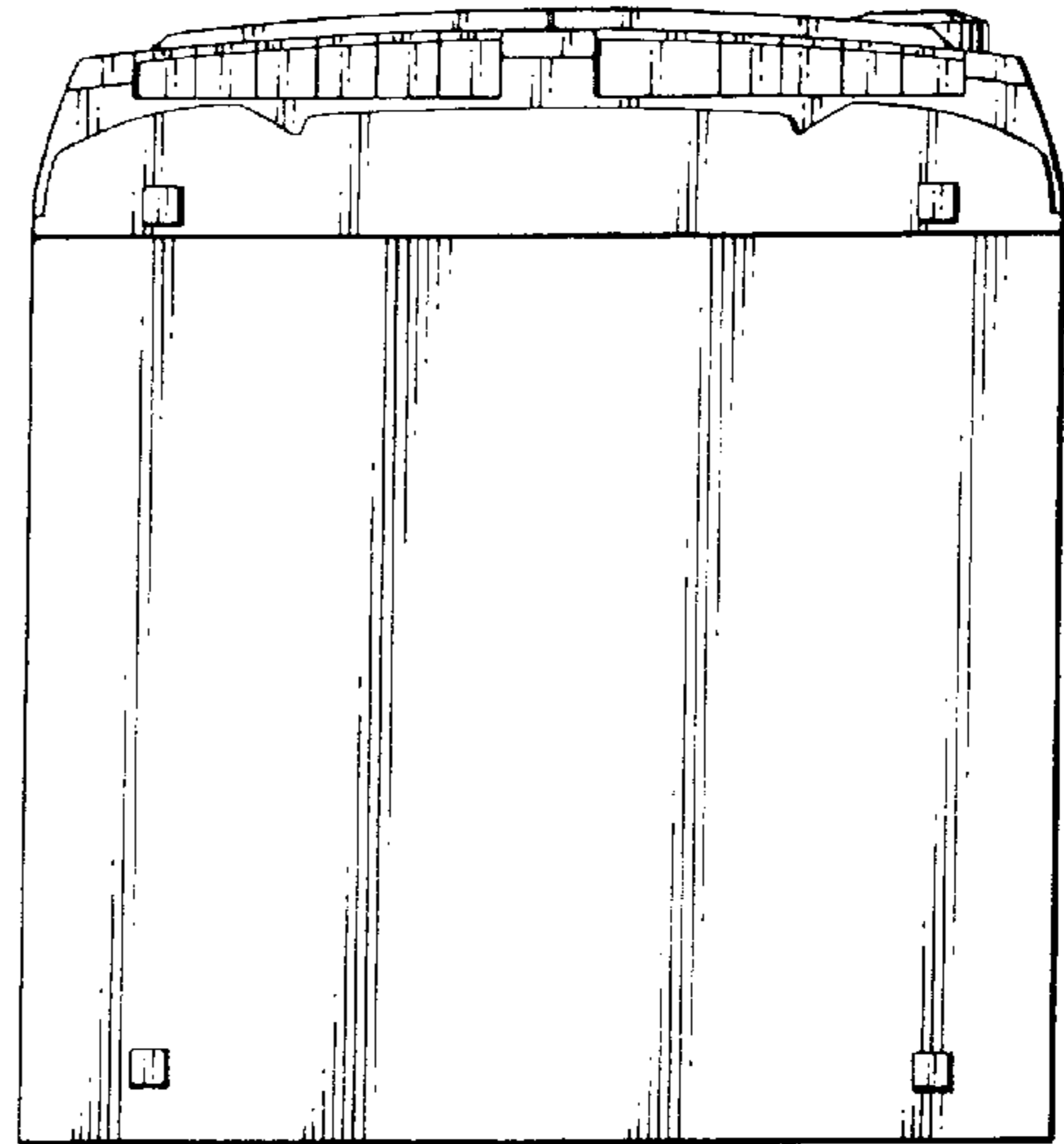


FIG. 6

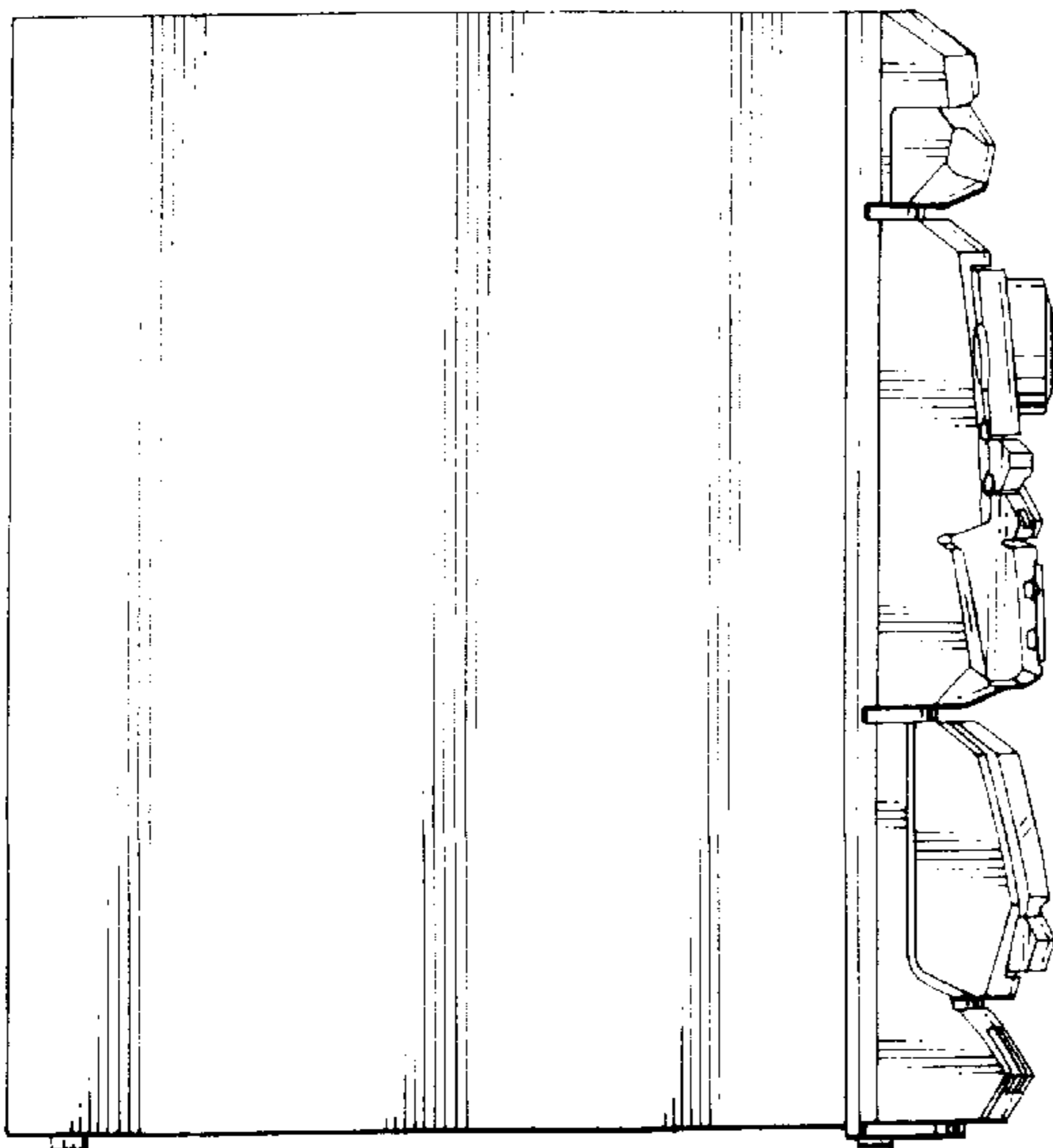


FIG. 7

