



US00D425891S

United States Patent [19]
Matsuoka

[11] **Patent Number: Des. 425,891**
[45] **Date of Patent: ** May 30, 2000**

[54] **AUDIO DISC PLAYER COMBINED WITH RADIO RECEIVER AND TAPE PLAYER**

[75] Inventor: **Yoshimichi Matsuoka**, Tokyo, Japan

[73] Assignee: **Sony Corporation**, Tokyo, Japan

[**] Term: **14 Years**

[21] Appl. No.: **29/093,823**

[22] Filed: **Sep. 18, 1998**

[51] **LOC (7) Cl.** **14-01**

[52] **U.S. Cl.** **D14/168**

[58] **Field of Search** D14/124, 156,
D14/160-168, 188, 193-198; 455/344,
345, 347-351

[56] **References Cited**

U.S. PATENT DOCUMENTS

D. 327,684	7/1992	Totsuka	D14/168
D. 384,068	9/1997	Yoneda	D14/168
D. 387,760	12/1997	Ito et al.	D14/168
D. 387,761	12/1997	Ito et al.	D14/168

OTHER PUBLICATIONS

Catalog "86", pp. 123 & 338, Sony (Jul. 1997).
Catalog "87", p. 346, Sony (Nov. 1997).
Catalog "89", p. 332, Sony (Jul. 1998).

Primary Examiner—Nanda Bondade
Attorney, Agent, or Firm—Foley & Lardner

[57] **CLAIM**

The ornamental design for an audio disc player combined with radio receiver and tape player, as shown and described.

DESCRIPTION

FIG. 1 is a perspective view of an audio disc player combined with radio receiver and tape player showing my new design;

FIG. 2 is a top plan view thereof;

FIG. 3 is a left side elevational view thereof;

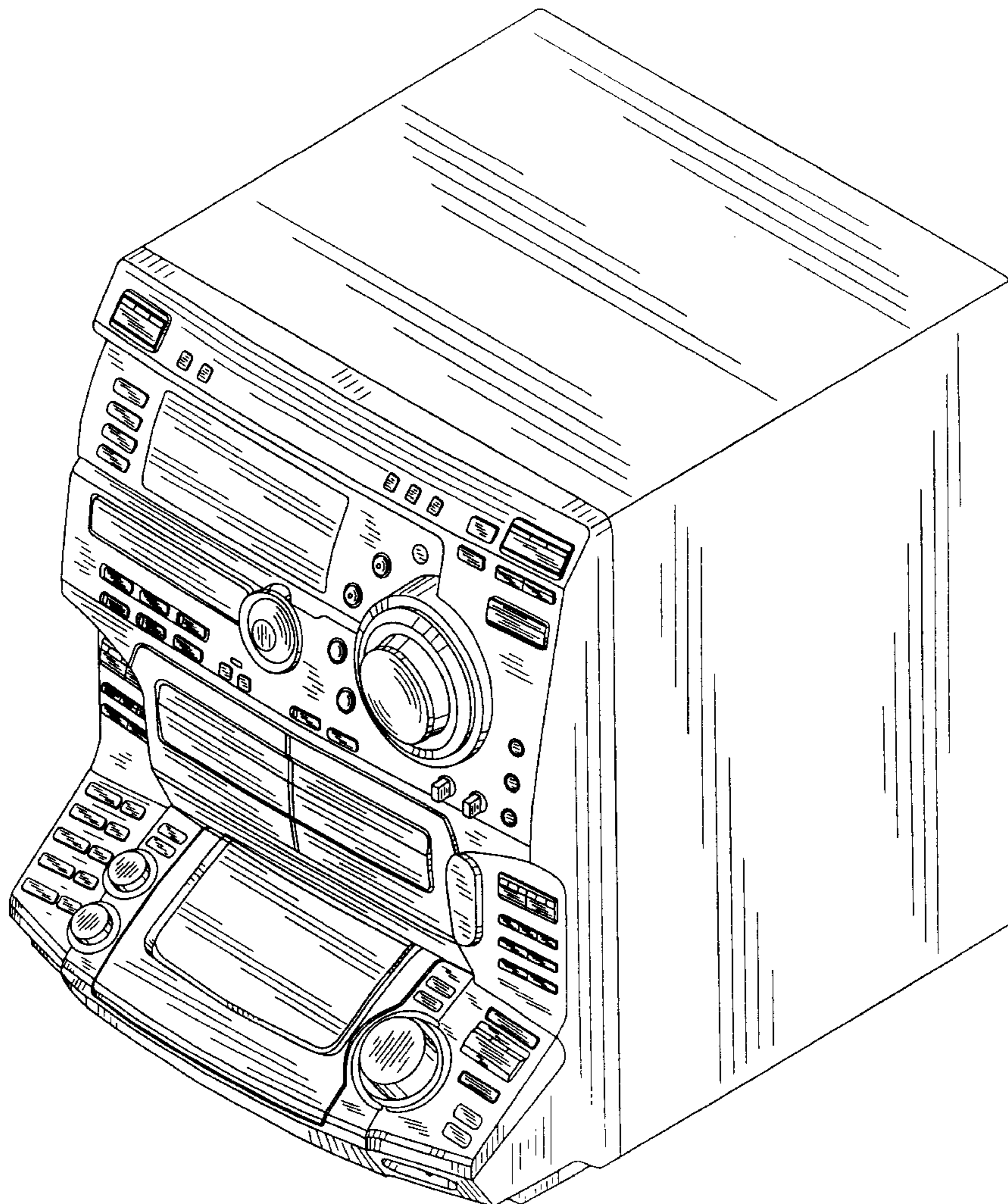
FIG. 4 is a front elevational view thereof;

FIG. 5 is a right side elevational view thereof;

FIG. 6 is a bottom plan view thereof; and,

FIG. 7 is a rear elevational view thereof.

1 Claim, 4 Drawing Sheets



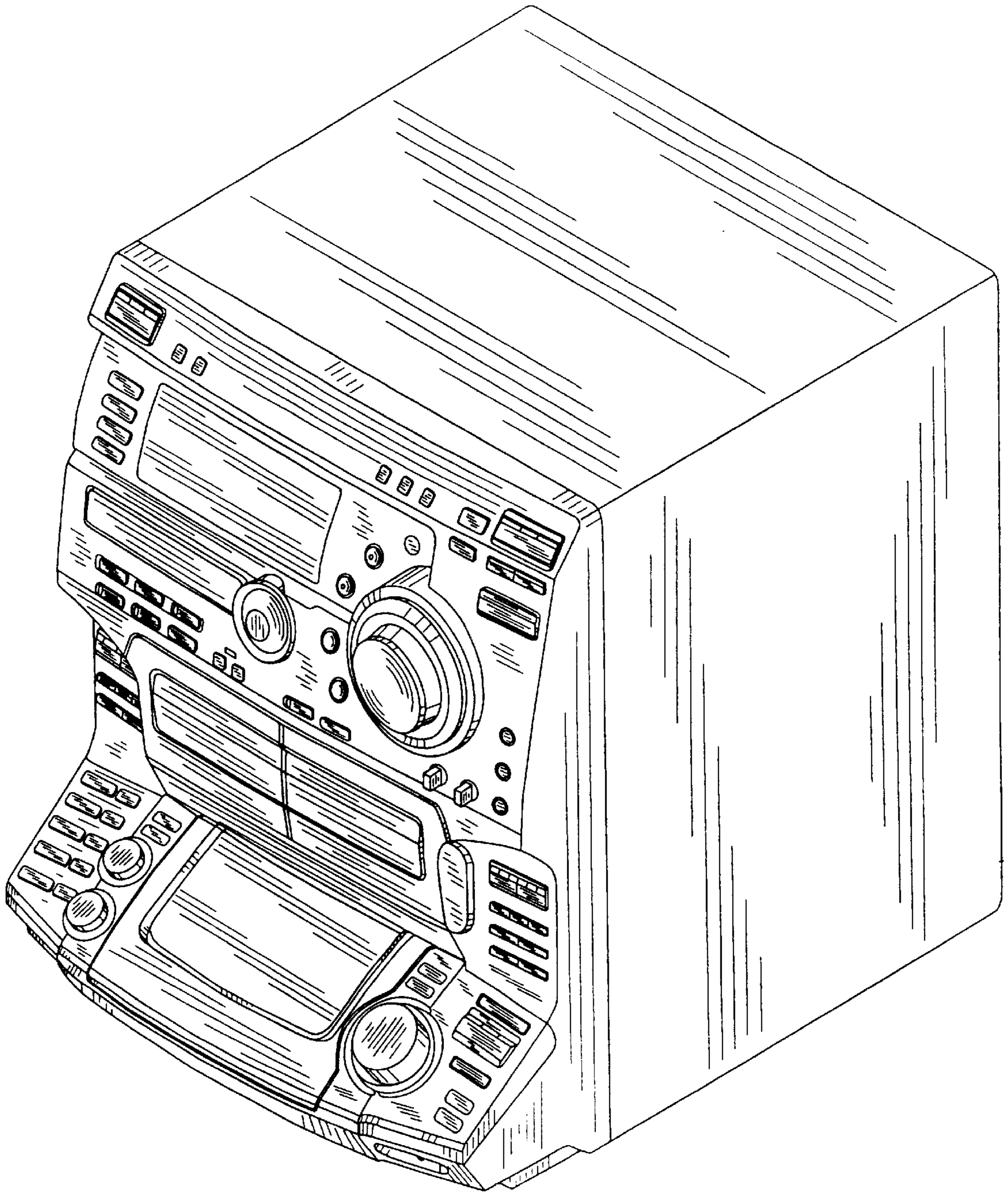


FIG. 1

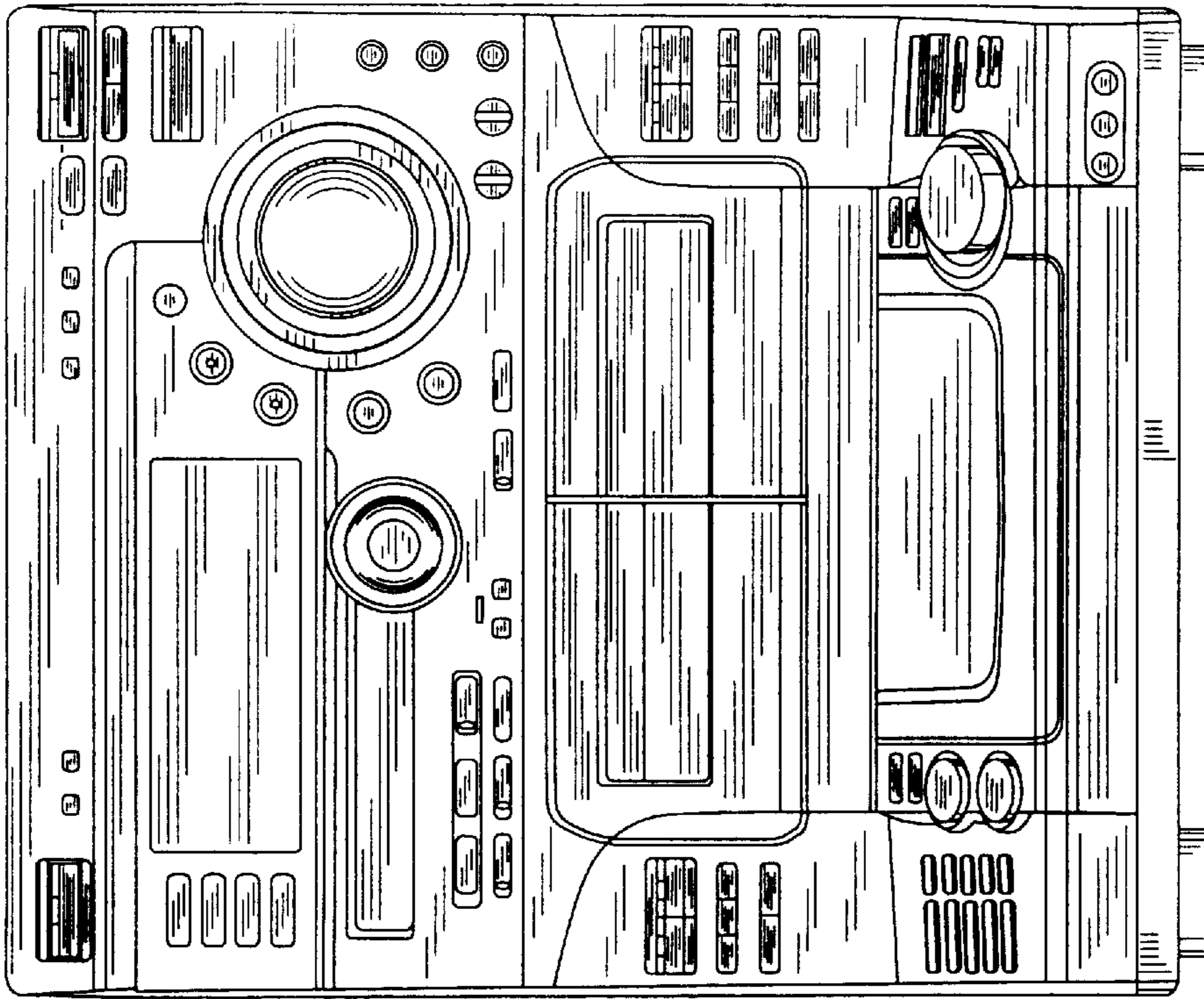


FIG. 4

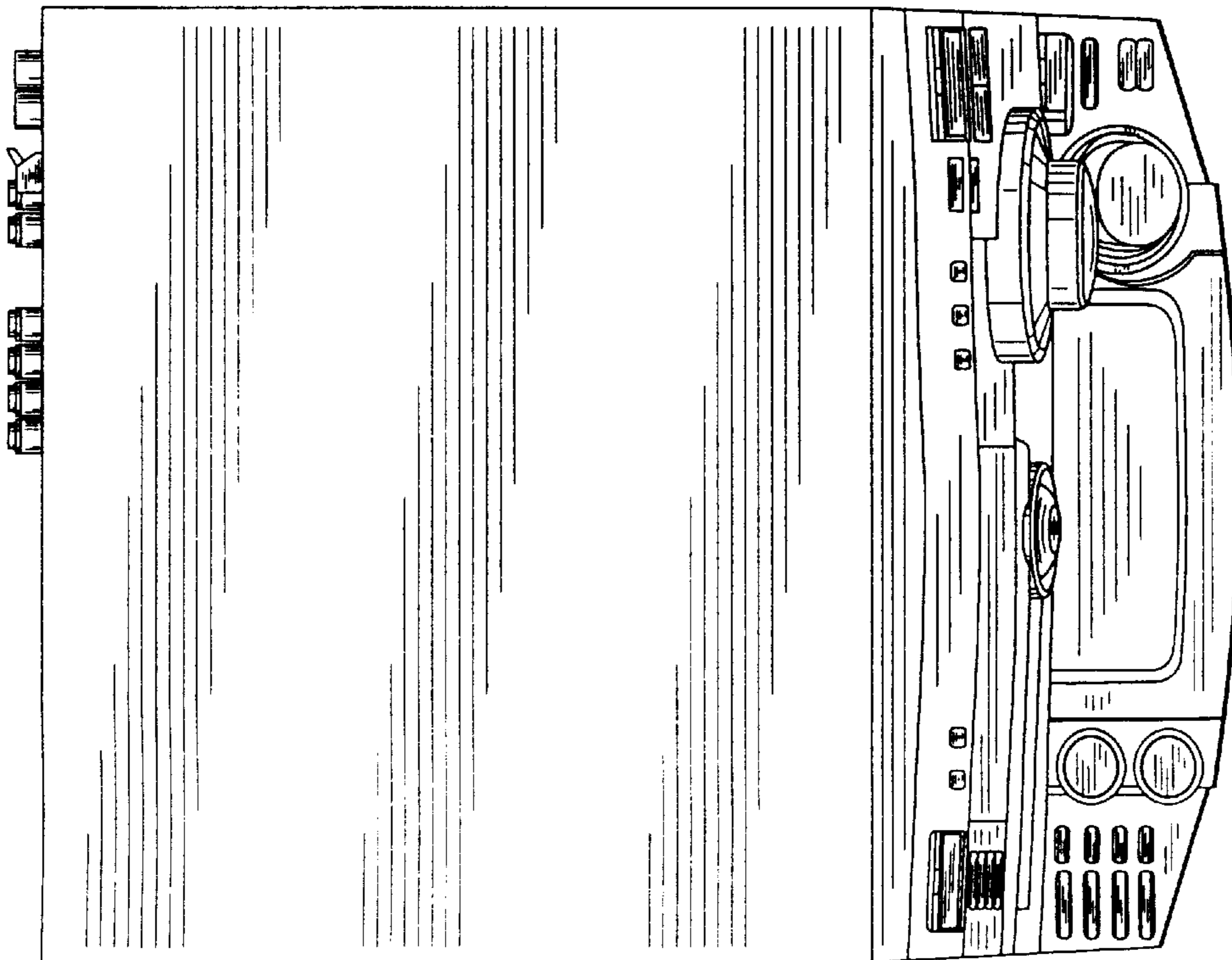


FIG. 2

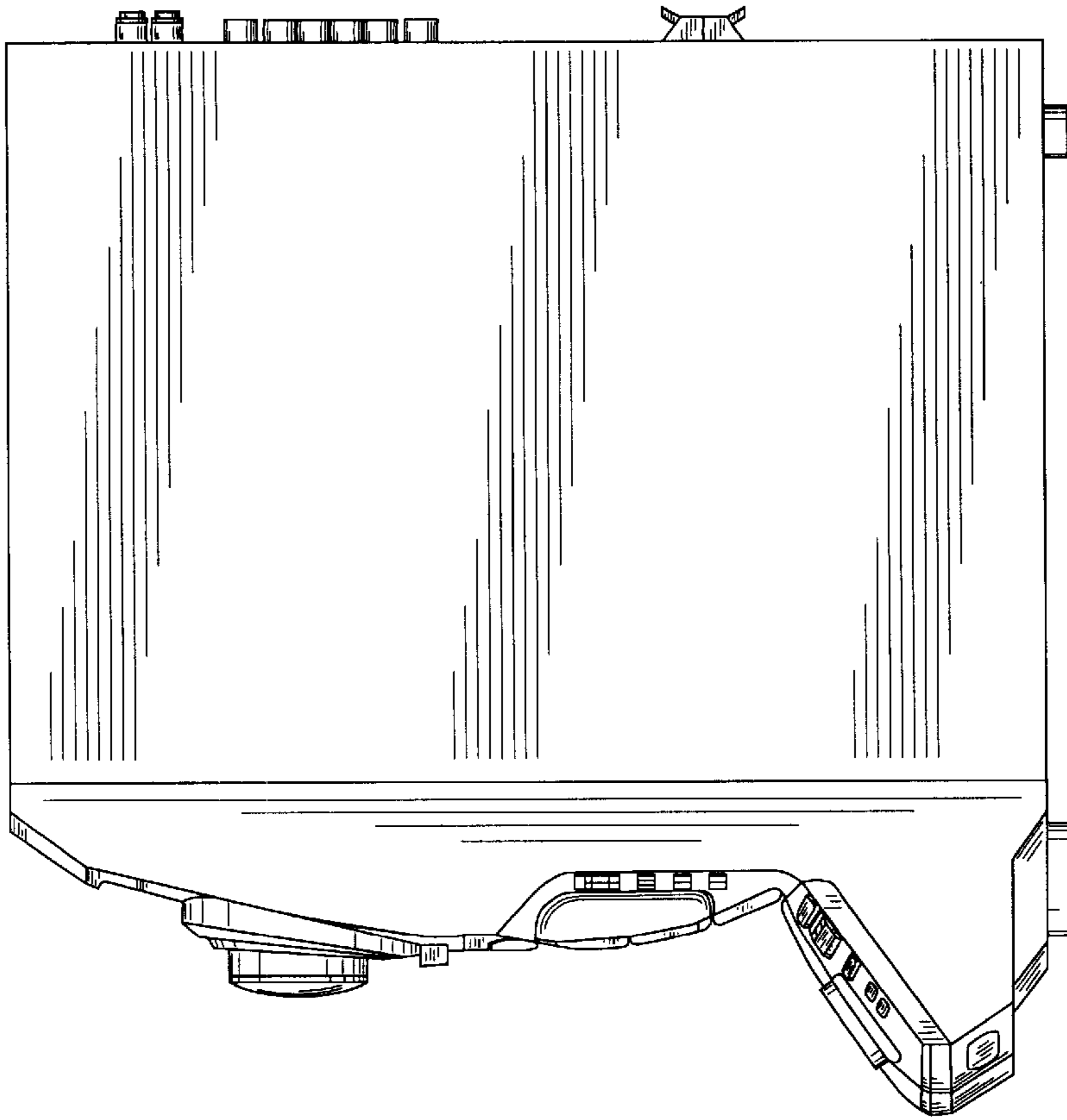


FIG. 5

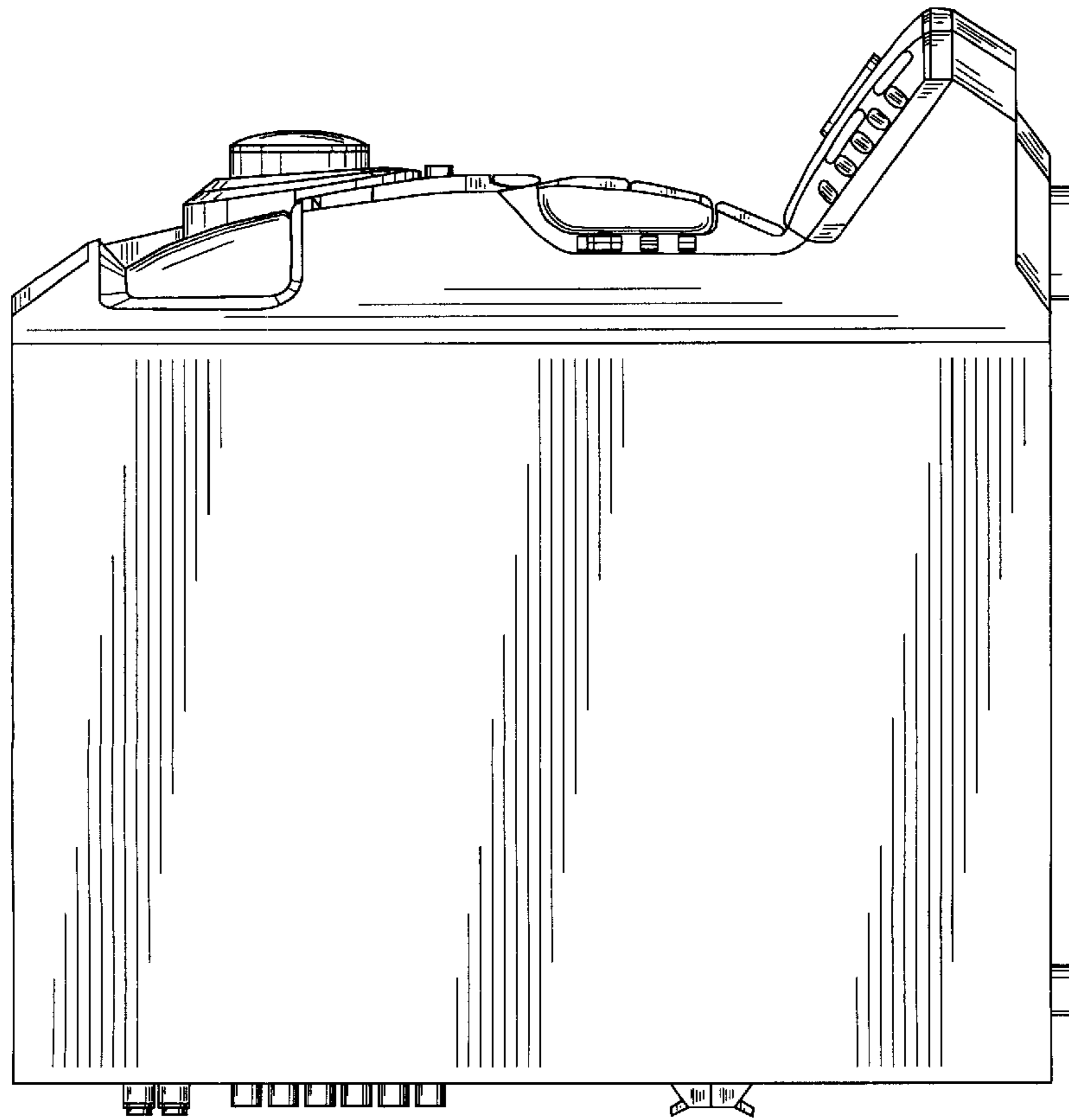


FIG. 3

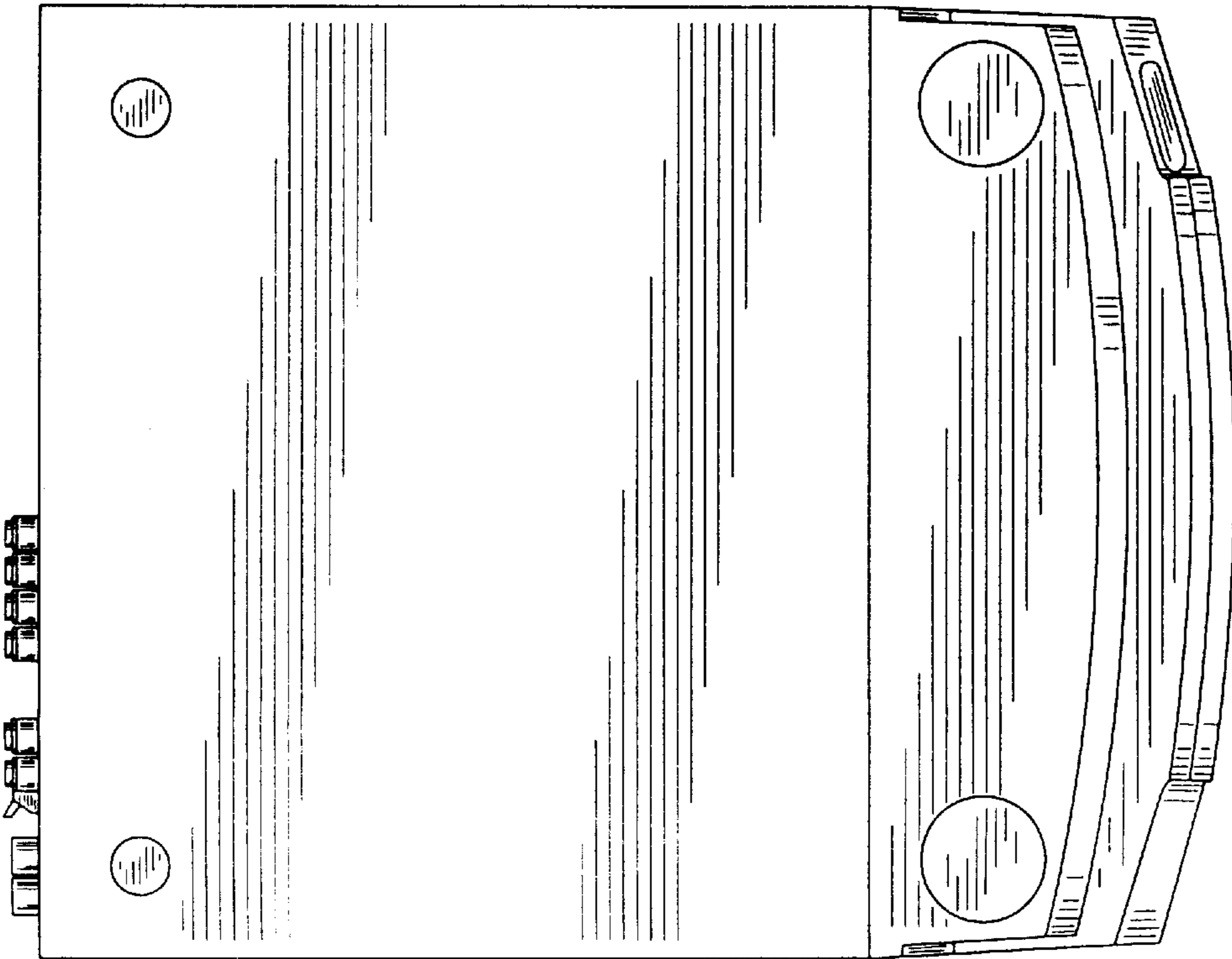


FIG. 6

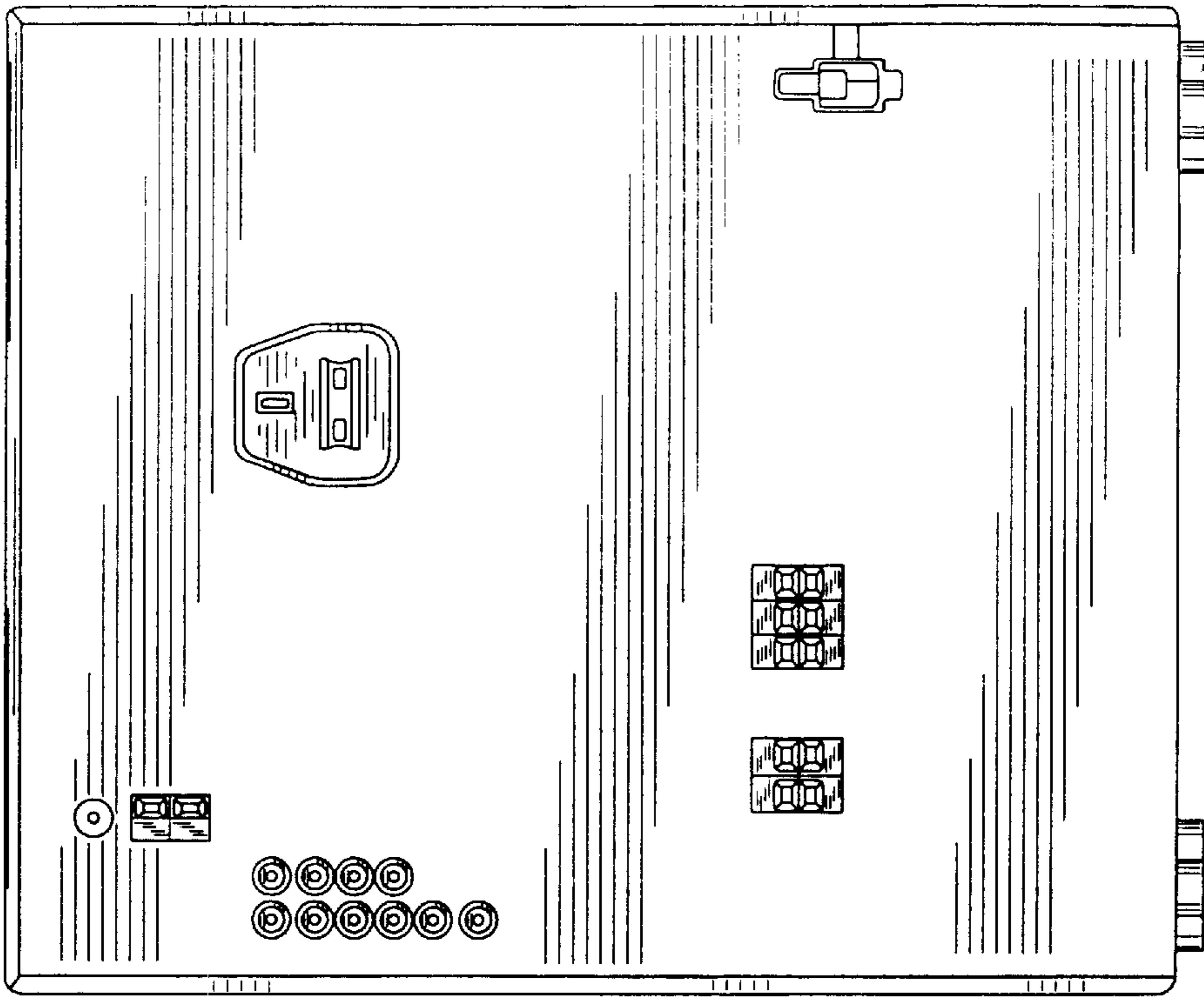


FIG. 7