



US00D425889S

United States Patent [19]
Yuyama

[11] **Patent Number: Des. 425,889**

[45] **Date of Patent: ** May 30, 2000**

[54] **DISC PLAYER**

[75] Inventor: **Yasuo Yuyama**, Tokyo, Japan

[73] Assignee: **Sony Corporation**, Japan

[**] Term: **14 Years**

[21] Appl. No.: **29/098,367**

[22] Filed: **Dec. 28, 1998**

[51] **LOC (7) Cl.** **14-01**

[52] **U.S. Cl.** **D14/156; D14/136**

[58] **Field of Search** D14/135, 136,
D14/156, 157, 160, 161, 167, 257, 258;
369/75.1, 75.2, 77.1, 77.2

[56] **References Cited**

U.S. PATENT DOCUMENTS

D. 371,362	7/1996	Deguchi	D14/156
D. 384,057	9/1997	Lee et al.	D14/135
D. 397,113	8/1998	Masamitsu	D14/156
D. 399,506	10/1998	Takahashi et al.	D14/156
5,265,083	11/1993	Ishii et al.	369/75.2
5,642,344	6/1997	Yamada et al.	369/77.2

OTHER PUBLICATIONS

Catalog "90"; Sony; Nov. 1998; pp. 61, 62, 63 & 322.

Primary Examiner—Nanda Bondade

Attorney, Agent, or Firm—Rader, Fishman & Grauer

[57] **CLAIM**

The ornamental design for a disc player, as shown and described.

DESCRIPTION

FIG. 1 is a perspective view of a disc player showing my new design;

FIG. 2 is a top plan view thereof;

FIG. 3 is a left side elevational view thereof;

FIG. 4 is a front elevational view thereof;

FIG. 5 is a bottom plan view thereof;

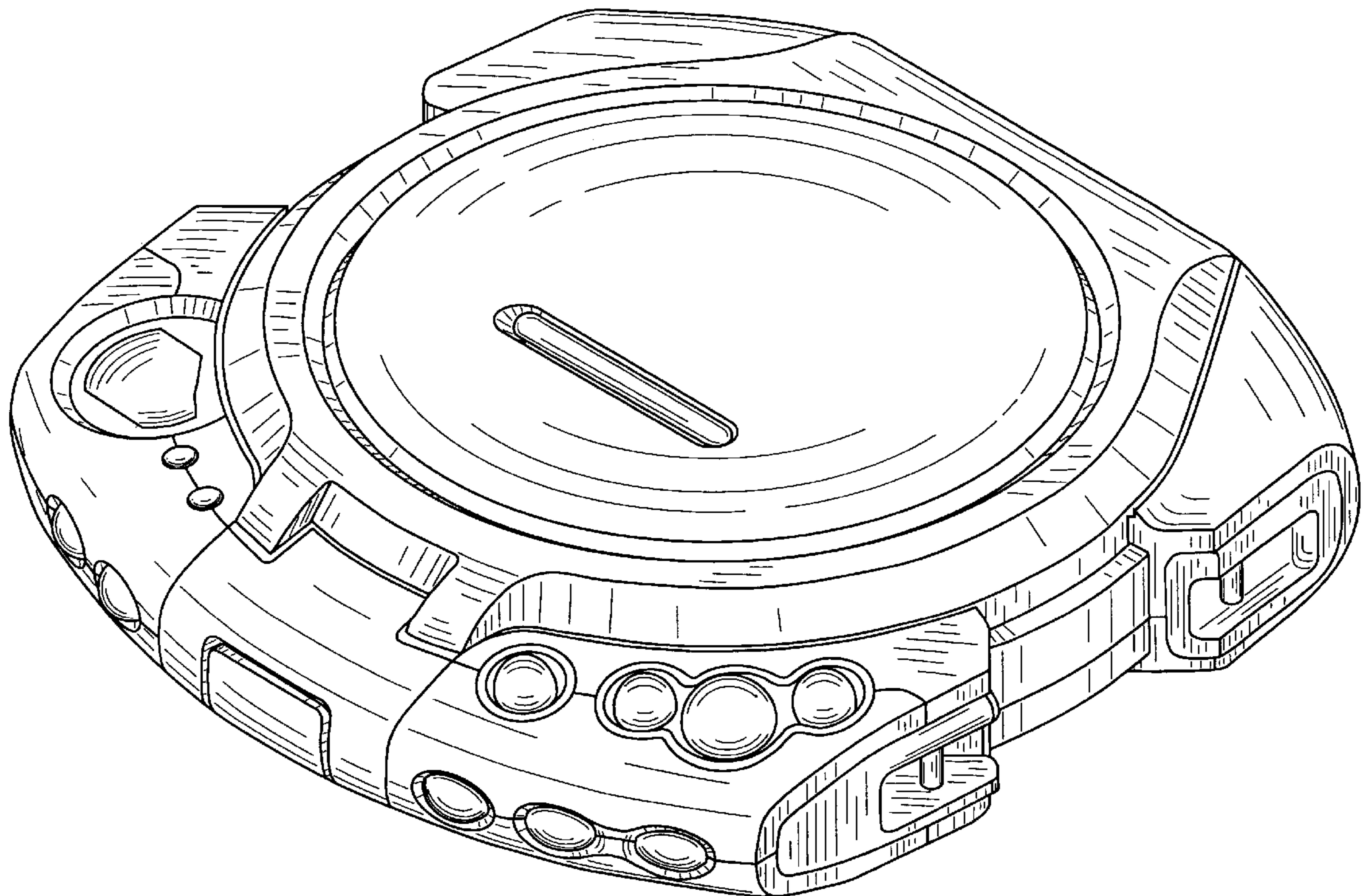
FIG. 6 is a right side elevational view thereof;

FIG. 7 is a rear elevational view thereof; and,

FIG. 8 is another perspective view thereof, wherein the lid portion is in the open position.

The broken lines showing of the inside portion is for illustrative purposes only and form no part of the claimed design.

1 Claim, 5 Drawing Sheets



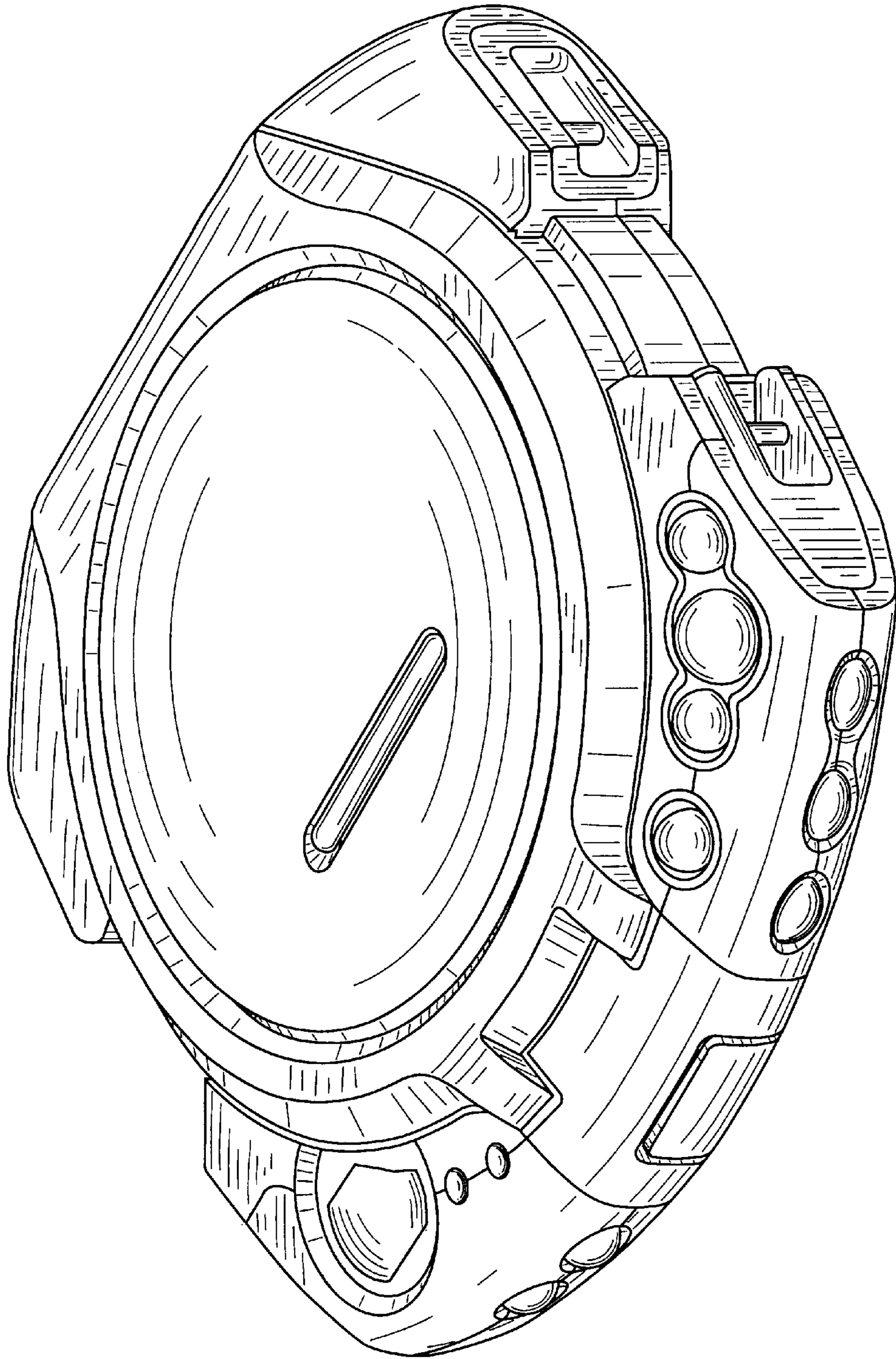


FIG. 1

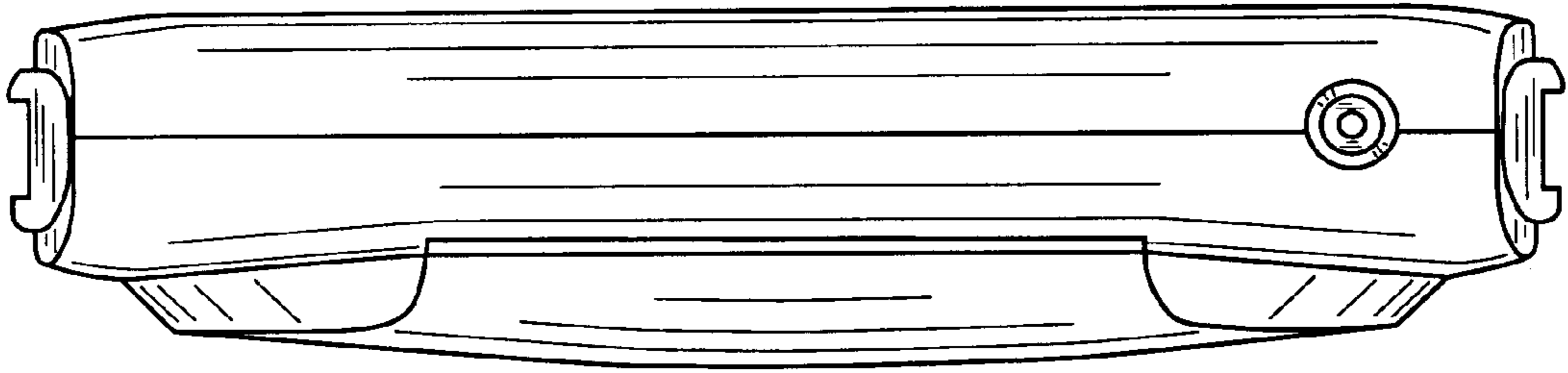


FIG. 2

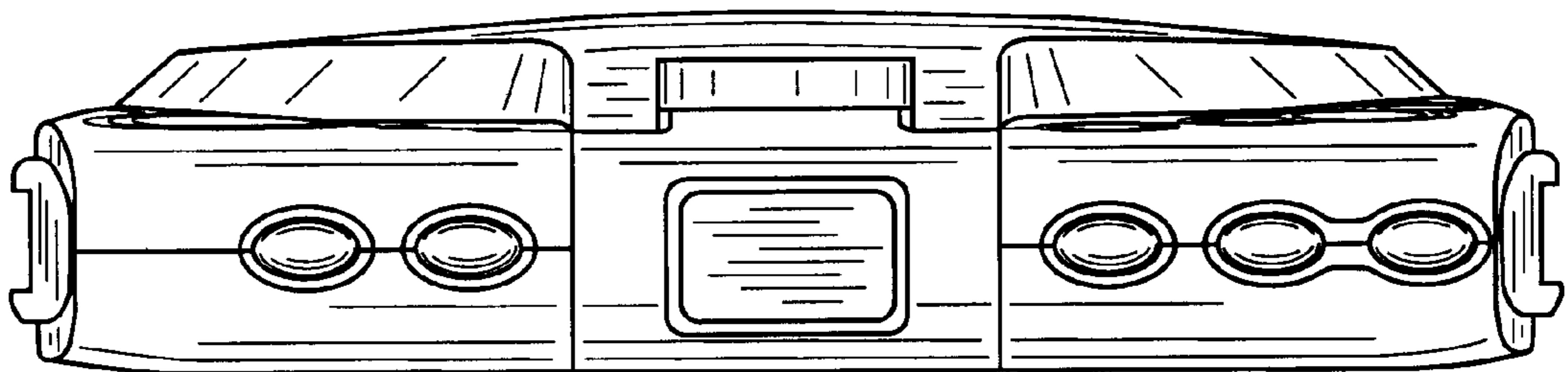


FIG. 5

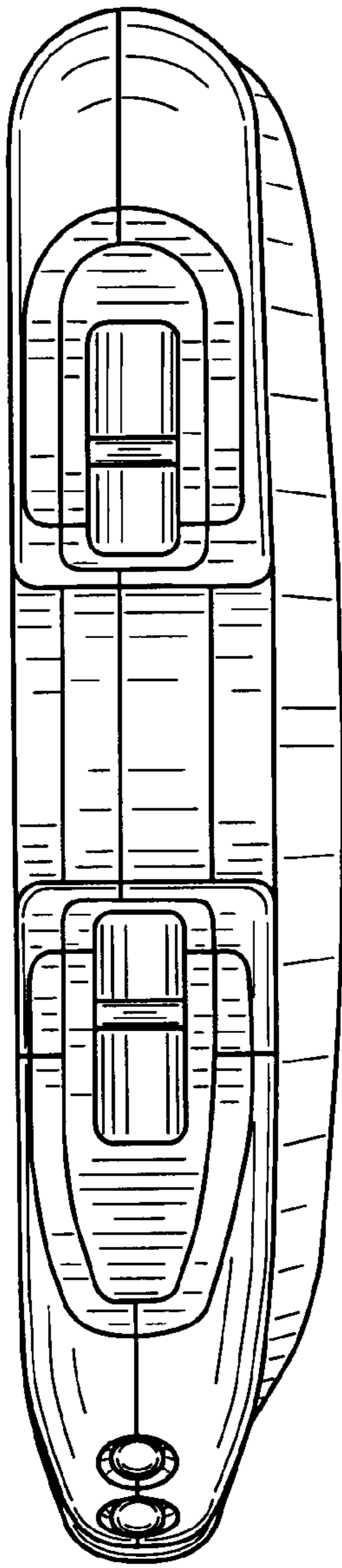


FIG. 3

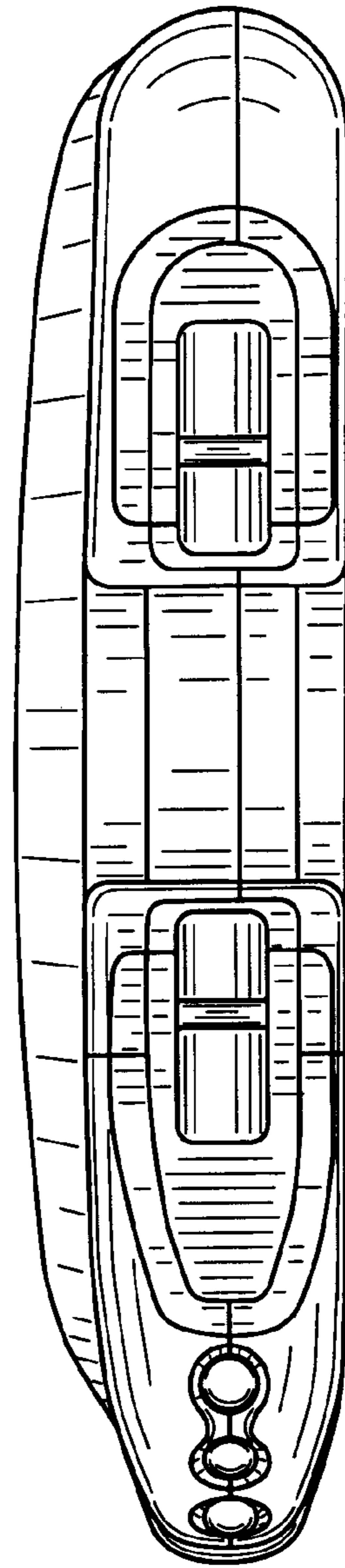


FIG. 6

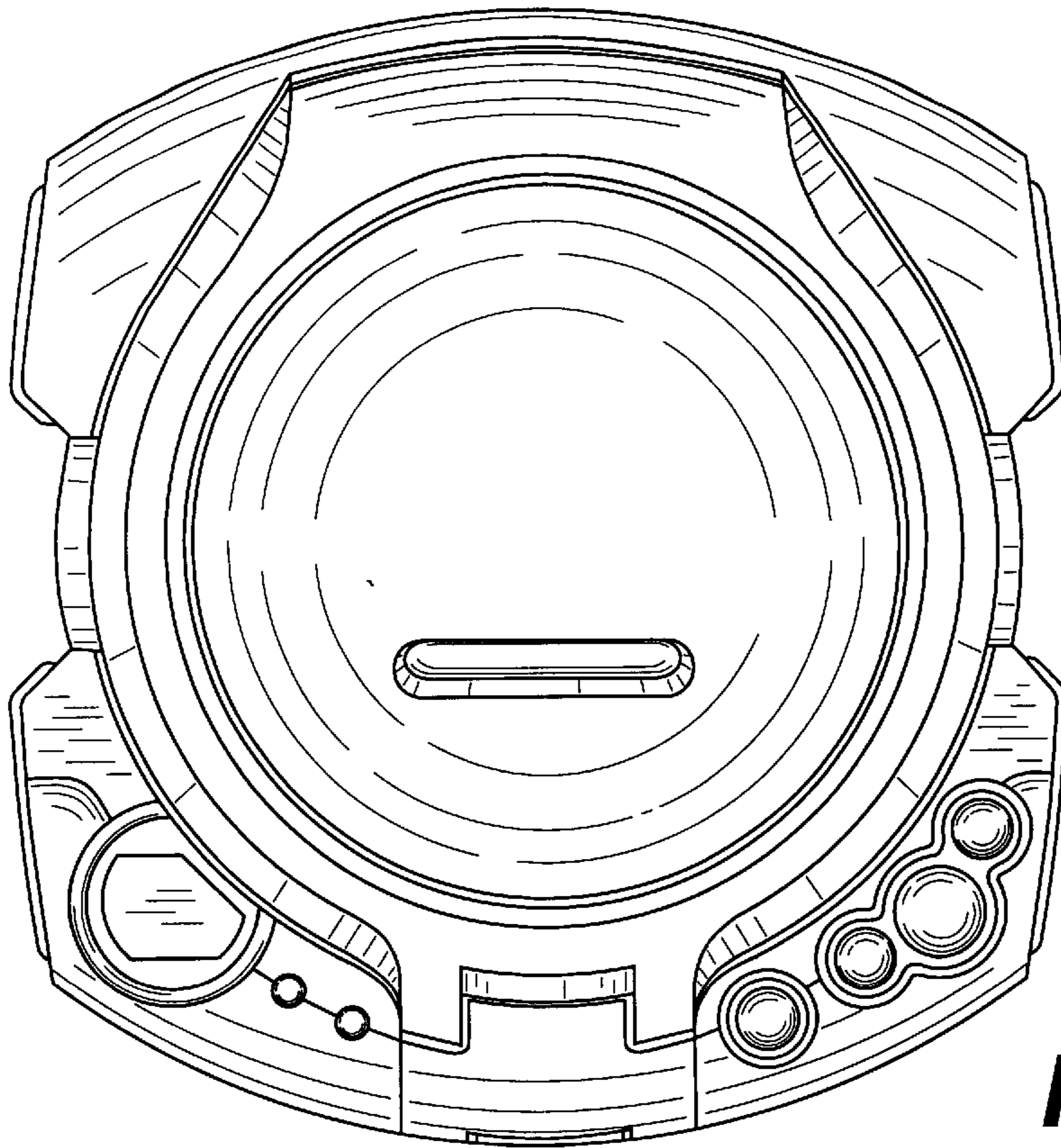


FIG. 4

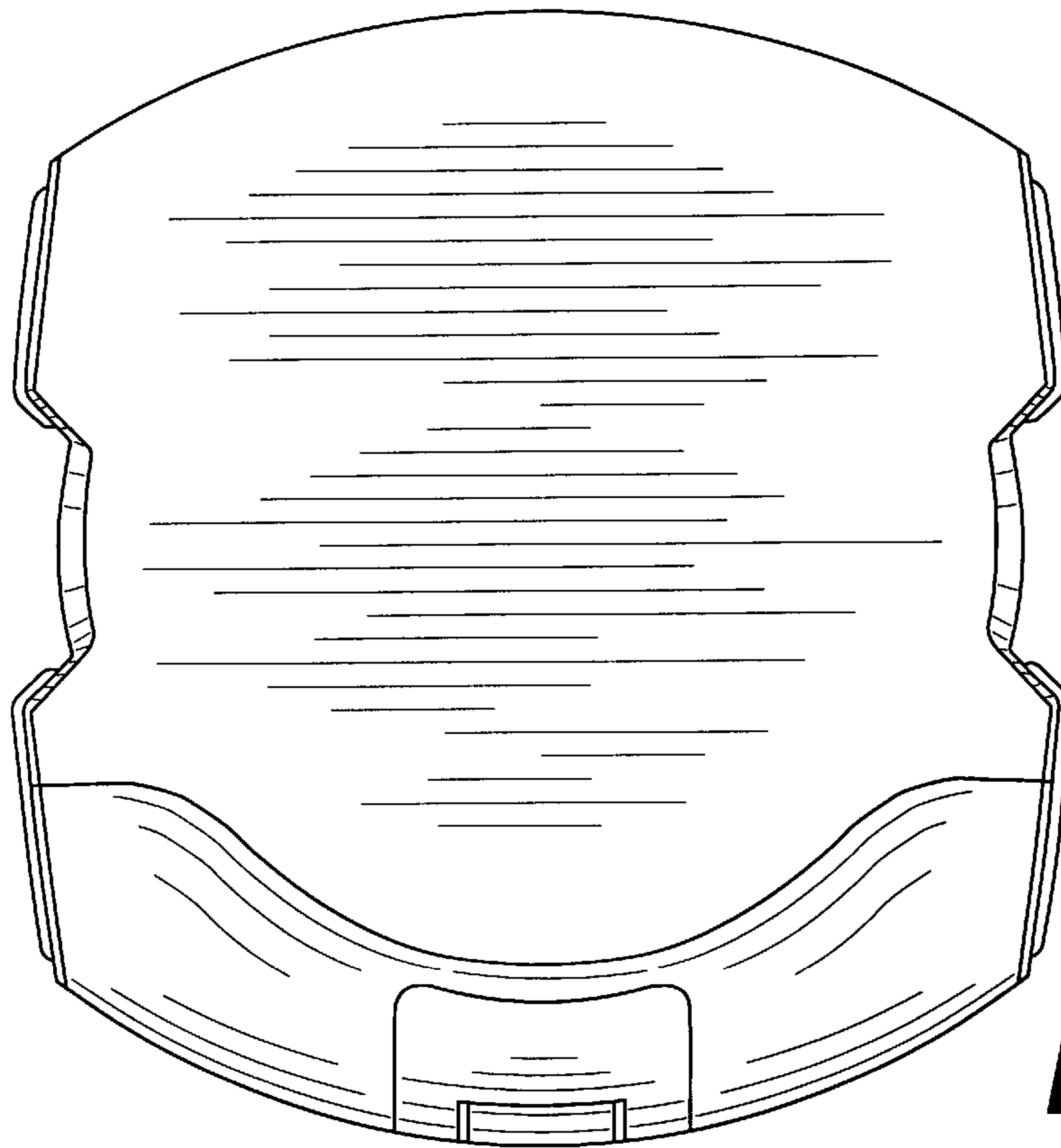


FIG. 7

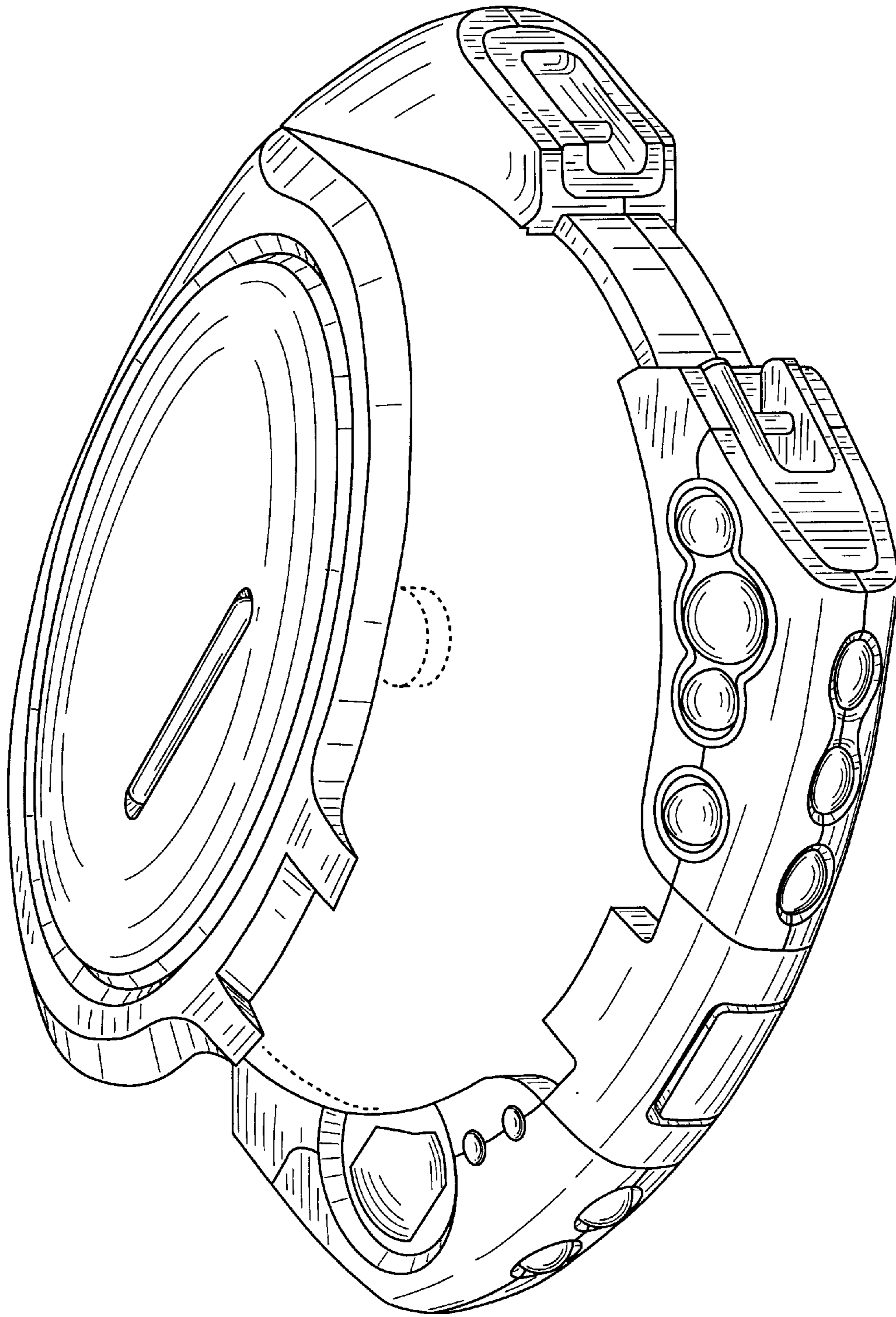


FIG. 8